



US00D687589S

(12) **United States Design Patent**
Wick

(10) **Patent No.:** **US D687,589 S**

(45) **Date of Patent:** **** Aug. 6, 2013**

(54) **CHANDELIER**

(75) Inventor: **William Wick**, San Francisco, CA (US)

(73) Assignee: **Restoration Hardware, Inc.**, Corte Madera, CA (US)

(**) Term: **14 Years**

(21) Appl. No.: **29/429,734**

(22) Filed: **Aug. 15, 2012**

(51) **LOC (9) Cl.** **26-03**

(52) **U.S. Cl.**
USPC **D26/90; D26/91**

(58) **Field of Classification Search**

USPC D26/72, 81-84, 86-88, 91, 92, 143,
D26/144, 145, 152, 155, 156; 362/122, 147,
362/404-408, 431, 432

See application file for complete search history.

(56) **References Cited**

U.S. PATENT DOCUMENTS

D777 S *	4/1856	Vance	D26/143
D53,621 S *	7/1919	Wertman	D26/144
D63,528 S *	12/1923	Warman	D26/81
D85,444 S *	10/1931	Primakow	D26/84
D400,288 S *	10/1998	Hsu	D26/90
D472,008 S *	3/2003	Gulassa et al.	D26/90
D490,557 S *	5/2004	Cuevas et al.	D26/81
D520,669 S *	5/2006	Brunner	D26/81
D539,962 S *	4/2007	Hsu	D26/81
D557,854 S *	12/2007	Lewis	D26/81
D578,701 S *	10/2008	Schuyler et al.	D26/81
D628,736 S *	12/2010	Chen	D26/81
D660,510 S *	5/2012	Bracher	D26/143

OTHER PUBLICATIONS

Restoration Hardware Home Catalog; Late Summer 2008; Cover Page, pp. 135,137, 168, 169, 170 and 171.

Restoration Hardware Home, Famous Fall Lighting Sale pamphlet ; (2008); Cover page, pp. 1, 22, 23 and 25.

Restoration Hardware Catalog, "There Are Pieces That Furnish A Home. And Those That Define It."(2009) Cover page, pp. 49, 143 and 147.

Restoration Hardware Famous Fall Lighting Sale (2009); Cover page, pp. 110, 111, 113, 114 and 115.

Restoration Hardware The Fall Lighting Event 2010; Cover page, pp. 254, 255 and 259.

Restoration Hardware Catalog, "Welcome To Your New Home", Spring 2011 Source Book; Cover page, pp. 318 and 325.

Restoration Hardware The Spring 2011 Source Book; Cover page, pp. 318 and 325.

Restoration Hardware Fall 2011 Source Book; Cover page, pp. 433 and 434.

Restoration Hardware Spring 2012 Catalog; cover page, pp. 480 and 477.

* cited by examiner

Primary Examiner — Clare E Heflin

(74) *Attorney, Agent, or Firm* — Lewis and Roca LLP

(57) **CLAIM**

The ornamental design for a chandelier, as shown and described.

DESCRIPTION

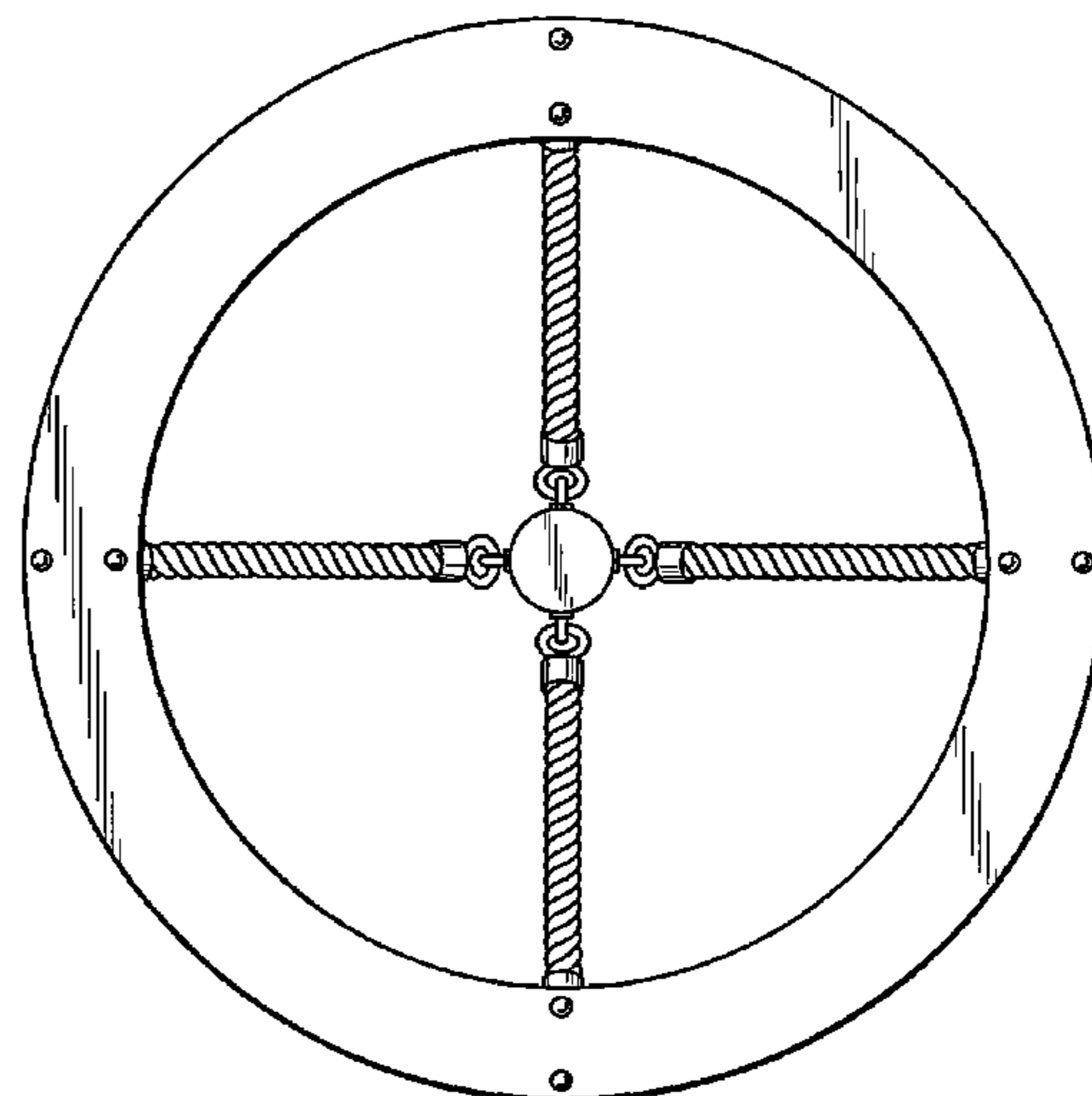
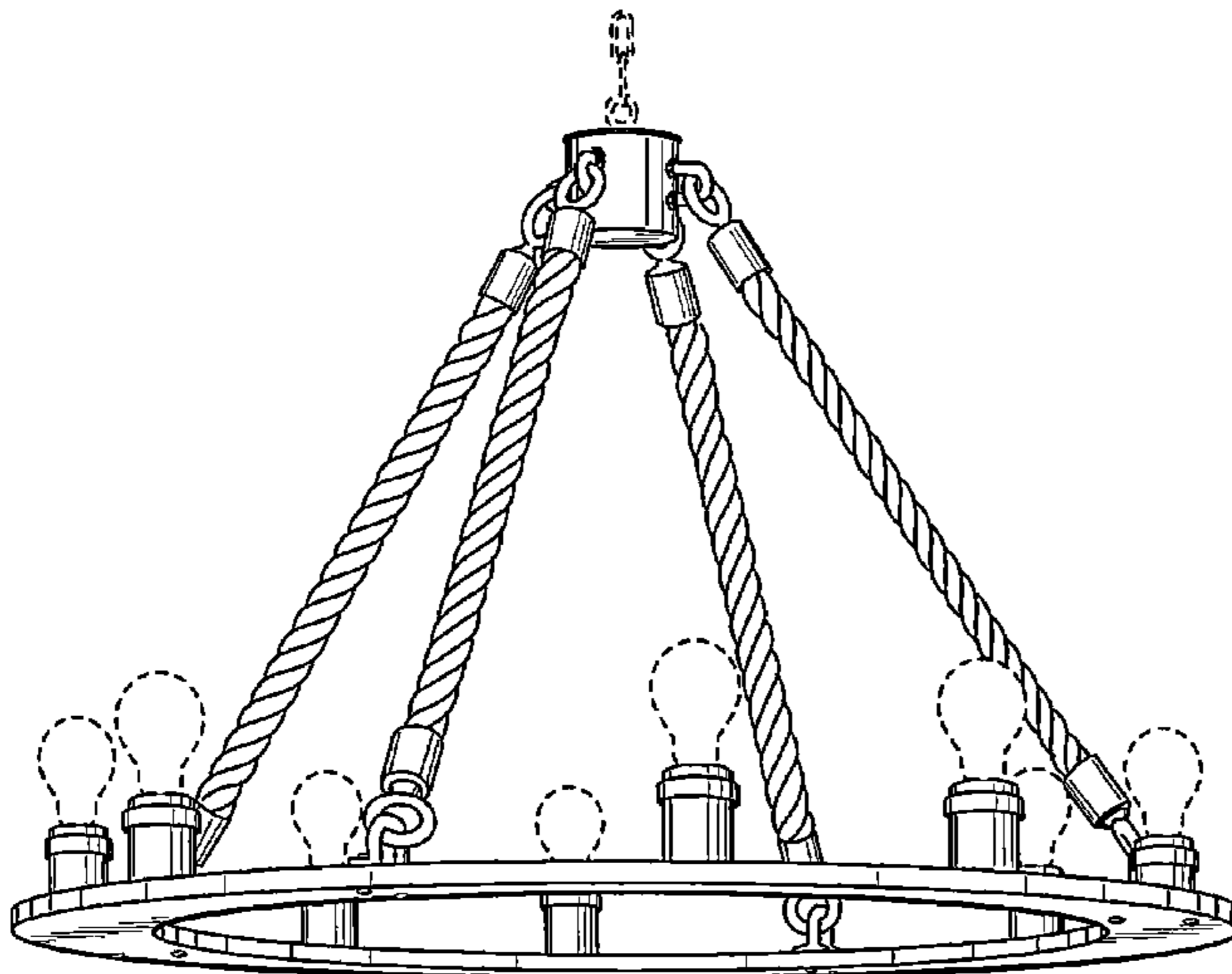
FIG. 1 is a perspective view of the an embodiment of a chandelier showing my new design;

FIG. 2 is a front view thereof (rear, right and left views being a mirror image); and,

FIG. 3 is a bottom plan view thereof.

The broken lines shown in the drawings are for environmental purposes only and form no part of the claimed design.

1 Claim, 2 Drawing Sheets



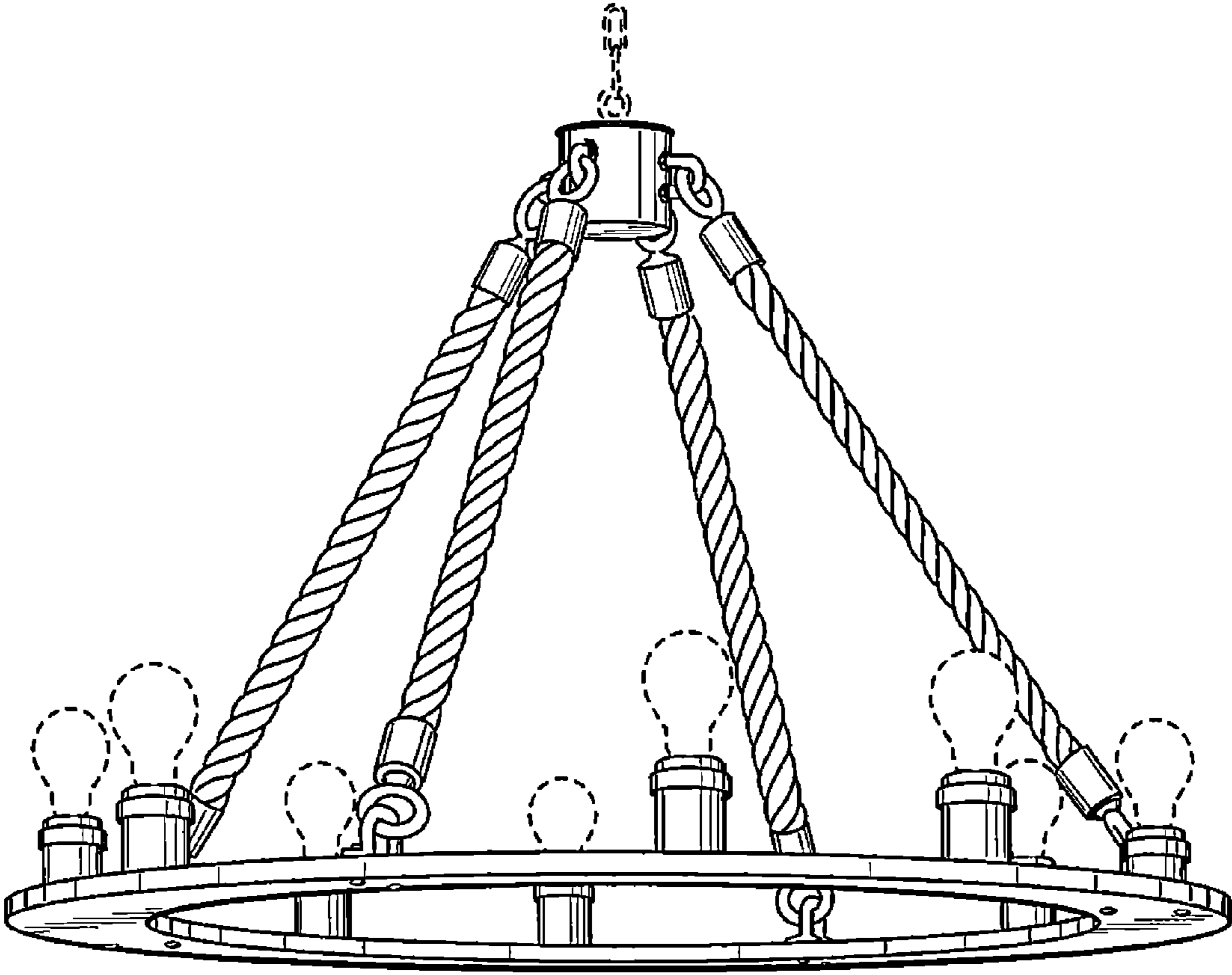


FIG. 1

FIG. 2

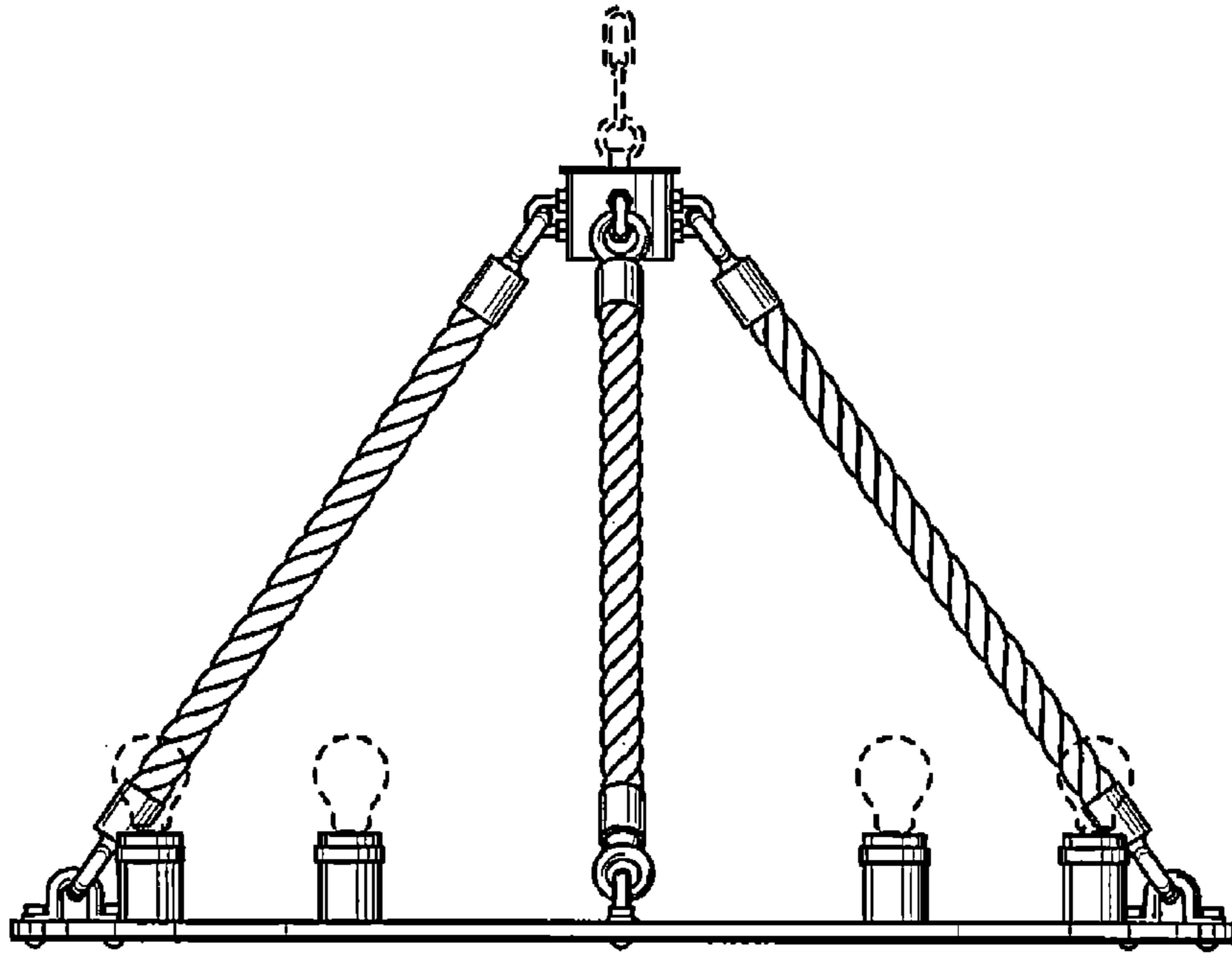


FIG. 3

