



US00D687585S

(12) **United States Design Patent**
Kim et al.

(10) **Patent No.:** **US D687,585 S**
(45) **Date of Patent:** **** Aug. 6, 2013**

(54) **LED LIGHT FIXTURE**

(71) Applicant: **Posco Led Company Ltd.**, Seongnam (KR)

(72) Inventors: **Ji Wan Kim**, Seongnam (KR); **Min Su Kim**, Seongnam (KR)

(73) Assignee: **Posco LED Company Ltd.**, Seongnam (KR)

(**) Term: **14 Years**

(21) Appl. No.: **29/433,858**

(22) Filed: **Oct. 5, 2012**

(30) **Foreign Application Priority Data**

Jul. 19, 2012 (KR) 30-2012-0035054

(51) **LOC (9) Cl.** **26-05**

(52) **U.S. Cl.**
USPC **D26/72**

(58) **Field of Classification Search**
USPC D26/63, 72, 80, 84-91; 362/147,
362/373, 404-408, 431, 432
See application file for complete search history.

(56) **References Cited**

U.S. PATENT DOCUMENTS

D163,812 S * 7/1951 Mehr D26/63
D242,943 S * 1/1977 Lazerson D26/88

D257,065 S * 9/1980 Silvestris D26/61
7,097,332 B2 * 8/2006 Vamberi 362/405
7,722,227 B2 * 5/2010 Zhang et al. 362/364
D627,502 S * 11/2010 Zheng et al. D26/72
D635,292 S * 3/2011 Chiang et al. D26/88
D642,316 S * 7/2011 Zheng et al. D26/72
D651,735 S * 1/2012 Dai D26/72
D657,088 S * 4/2012 Miro D26/89
D663,465 S * 7/2012 Couvreur et al. D26/72
D669,623 S * 10/2012 Alverson et al. D26/88
8,403,541 B1 * 3/2013 Rashidi 362/373

* cited by examiner

Primary Examiner — Clare E Heflin

(74) *Attorney, Agent, or Firm* — H.C. Park & Associates, PLC

(57) **CLAIM**

The ornamental design for a LED light fixture, as shown and described.

DESCRIPTION

FIG. 1 is a perspective view of the LED light fixture.
FIG. 2 is a front view of the LED light fixture.
FIG. 3 is a rear view of the LED light fixture.
FIG. 4 is a left side view of the LED light fixture.
FIG. 5 is a right side view of the LED light fixture.
FIG. 6 is a top plan view of the LED light fixture; and,
FIG. 7 is a bottom plan view of the LED light fixture.

1 Claim, 4 Drawing Sheets

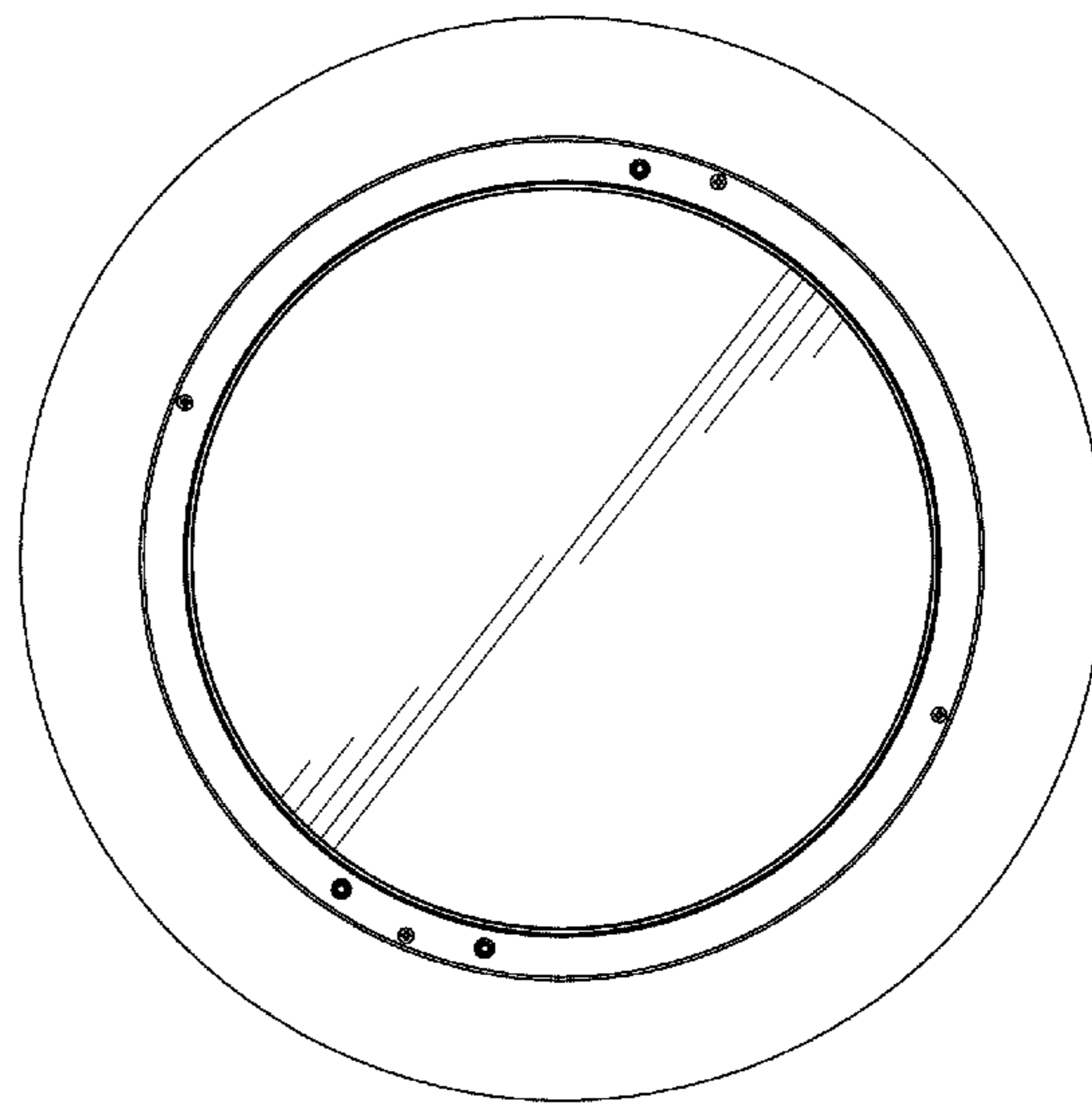
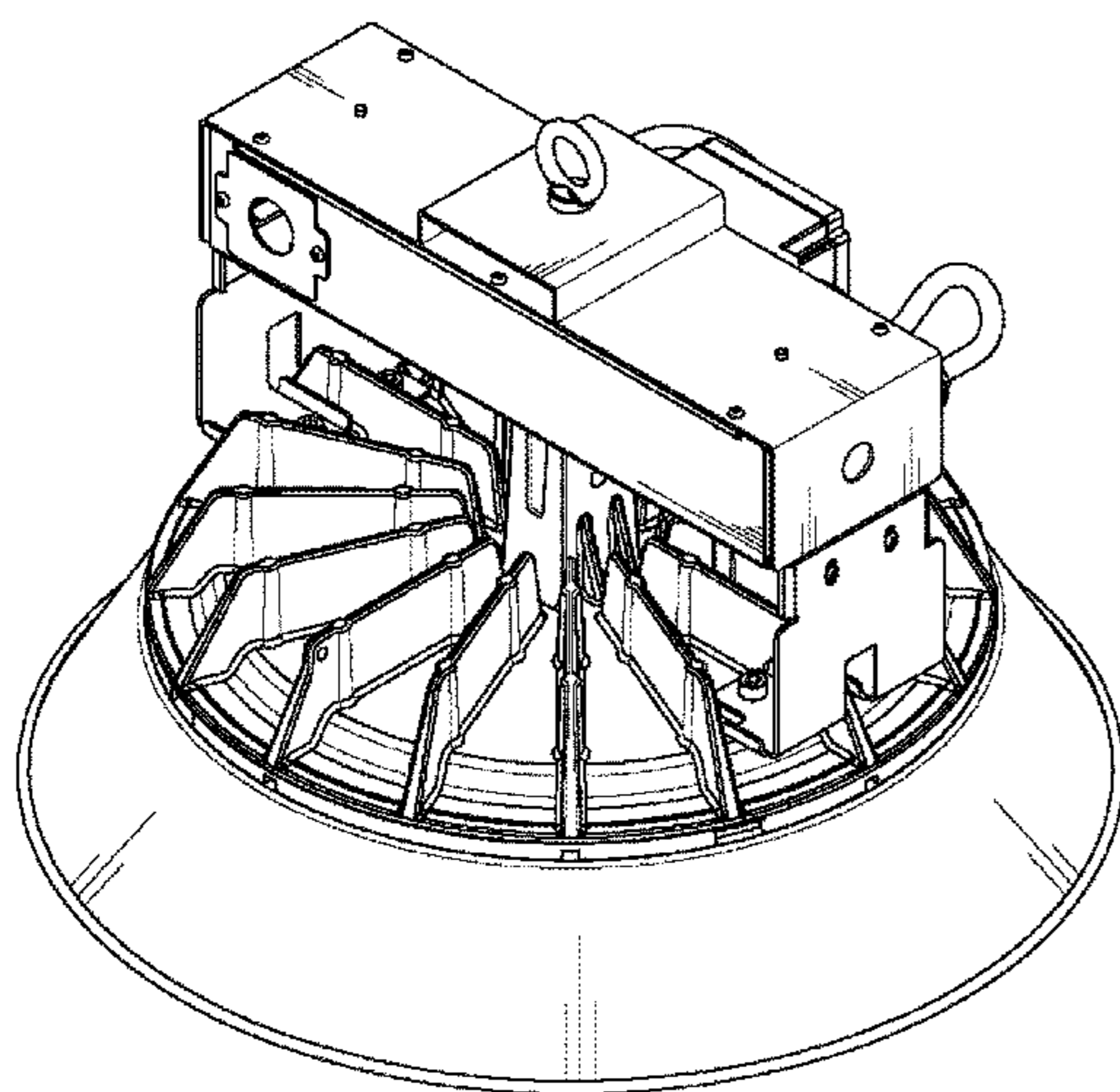


FIG. 1

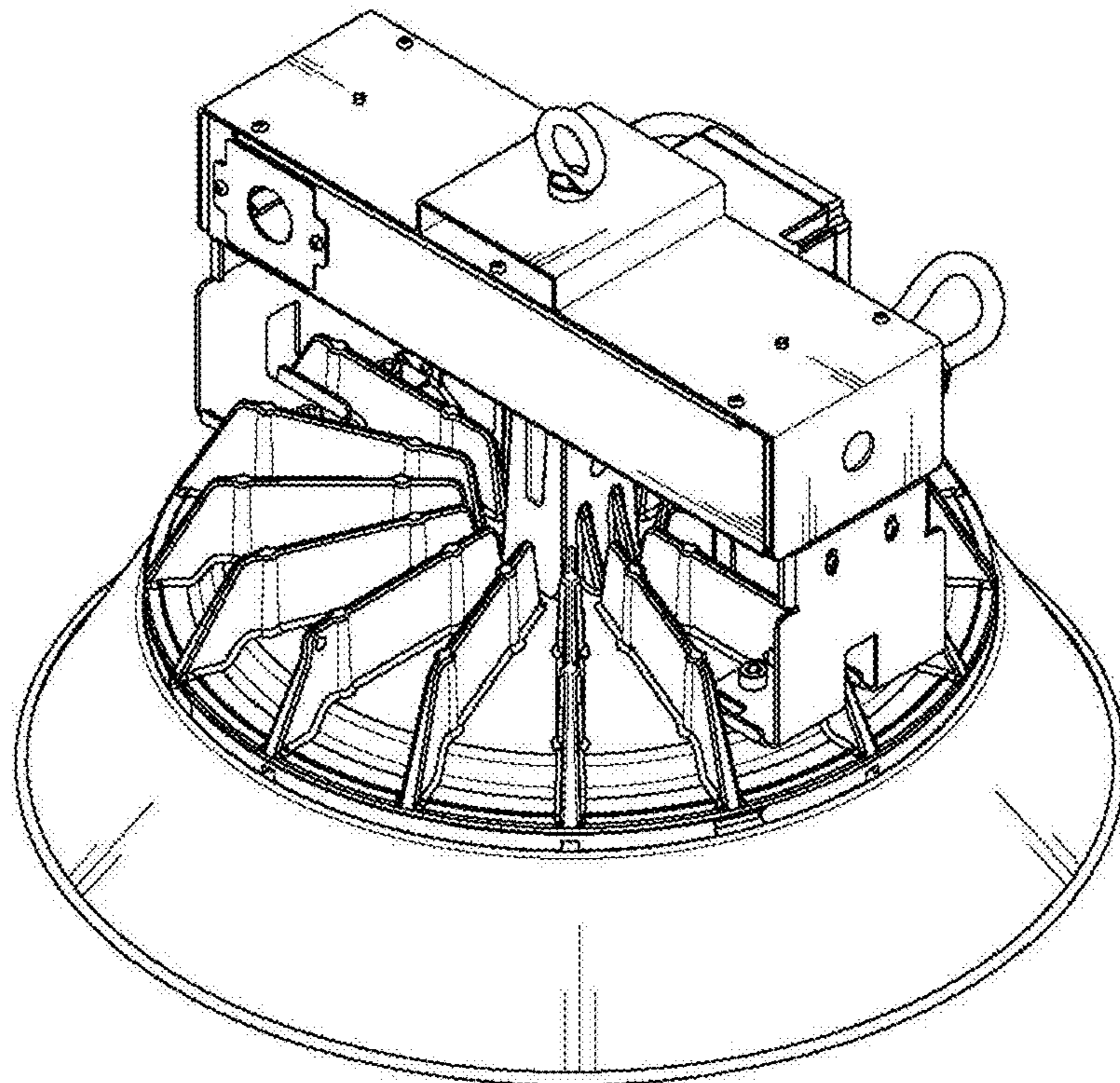


FIG. 2

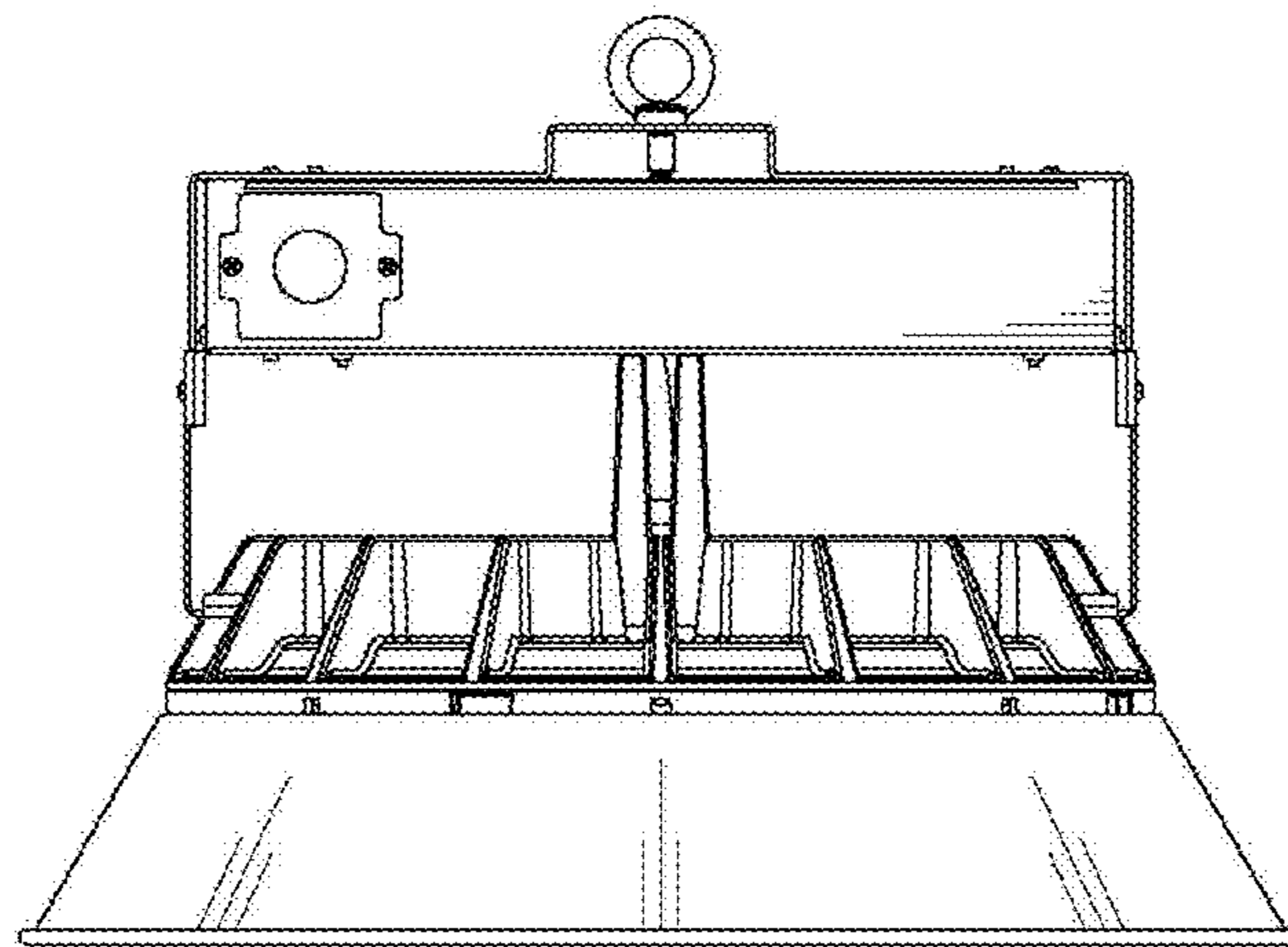


FIG. 3

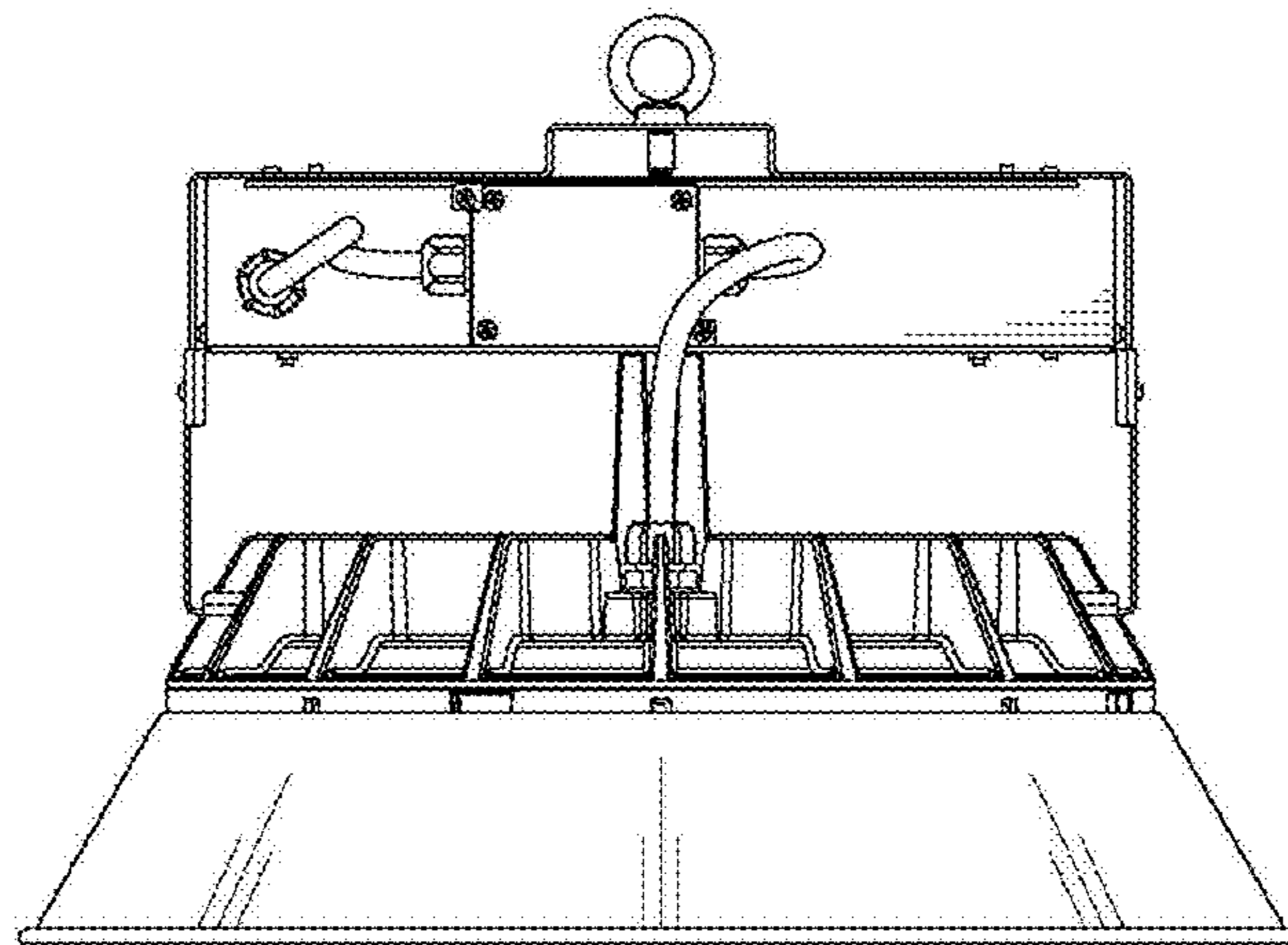


FIG. 4

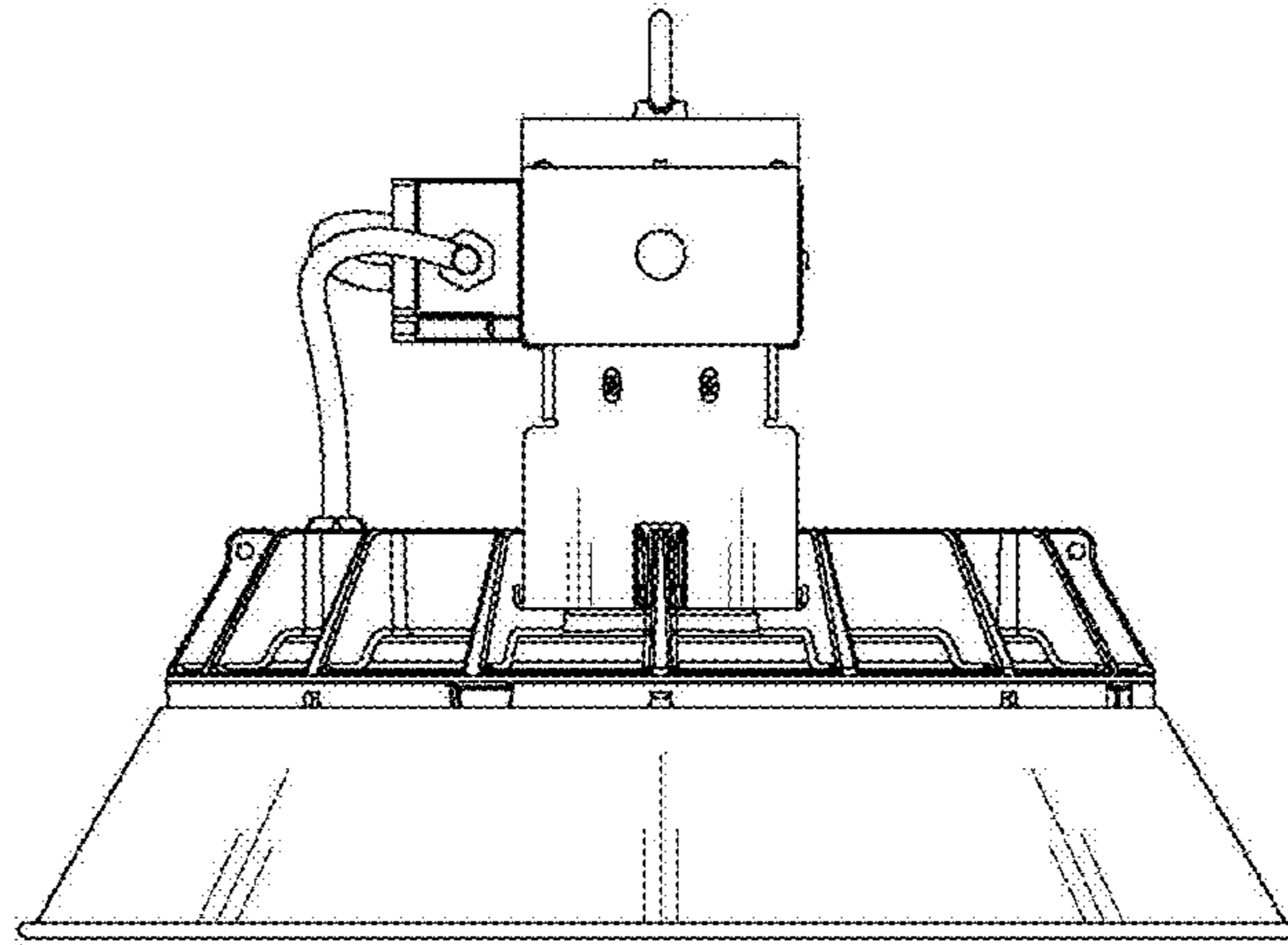


FIG. 5

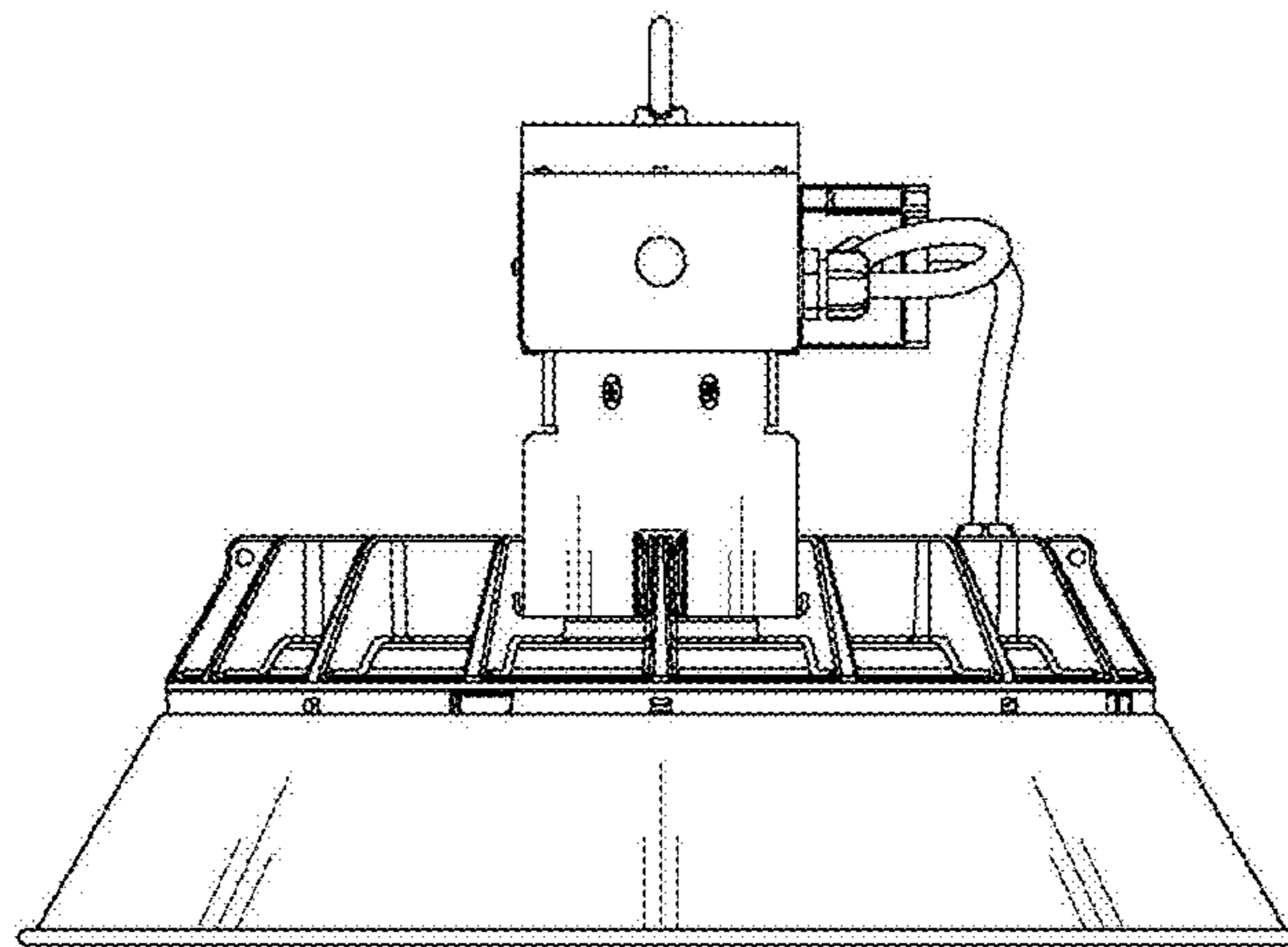


FIG. 6

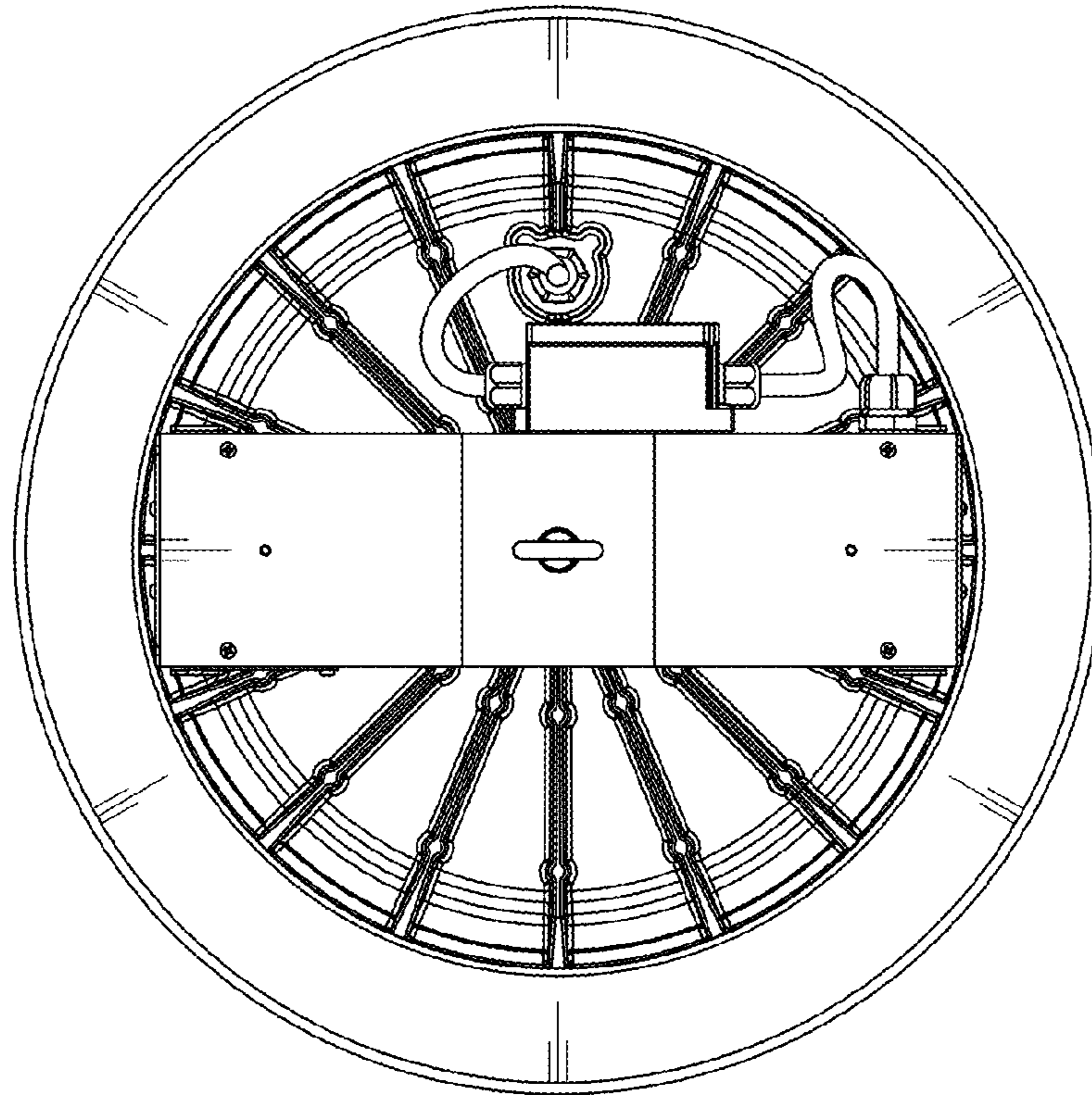


FIG. 7

