



US00D687584S

(12) **United States Design Patent**
Shek

(10) **Patent No.:** **US D687,584 S**

(45) **Date of Patent:** **** Aug. 6, 2013**

(54) **DESK LAMP**

(76) Inventor: **Michael Shek**, San Mateo, CA (US)

(**) Term: **14 Years**

(21) Appl. No.: **29/417,700**

(22) Filed: **Apr. 6, 2012**

(51) **LOC (9) Cl.** **26-03**

(52) **U.S. Cl.**
USPC **D26/65**

(58) **Field of Classification Search**

USPC D26/24, 61-67, 93, 102, 104-105,
D26/108-10, 107; 362/509, 516, 523, 186,
362/217, 255, 257, 277, 317, 319, 351, 354,
362/355, 357, 358, 362, 382, 410, 413, 417,
362/806

See application file for complete search history.

(56) **References Cited**

U.S. PATENT DOCUMENTS

D330,266	S	*	10/1992	Lin	D26/65
D523,164	S	*	6/2006	Ng	D26/65
D527,132	S	*	8/2006	Citterio	D26/65
D603,993	S	*	11/2009	Sabernig	D26/65
D620,165	S	*	7/2010	Huang	D26/63
D622,885	S	*	8/2010	Ng et al.	D26/65
D628,729	S	*	12/2010	Citterio	D26/65
D635,707	S	*	4/2011	Ng et al.	D26/65
D640,818	S	*	6/2011	Ng et al.	D26/65

D662,639	S	*	6/2012	Ng et al.	D26/65
D663,062	S	*	7/2012	Ng et al.	D26/65
D667,982	S	*	9/2012	Meda et al.	D26/65

* cited by examiner

Primary Examiner — Brian N Vinson

(74) *Attorney, Agent, or Firm* — Muncy, Geissler, Olds & Lowe, PLLC

(57) **CLAIM**

I claim the ornamental design for a desk lamp, as shown and described.

DESCRIPTION

FIG. 1 is a perspective view of a desk lamp showing my new design;

FIG. 2 is a front view thereof;

FIG. 3 is a rear view thereof;

FIG. 4 is a left side view thereof;

FIG. 5 is a right side view thereof;

FIG. 6 is a top plan view thereof;

FIG. 7 is a bottom plan view thereof;

FIG. 8 is a front view thereof;

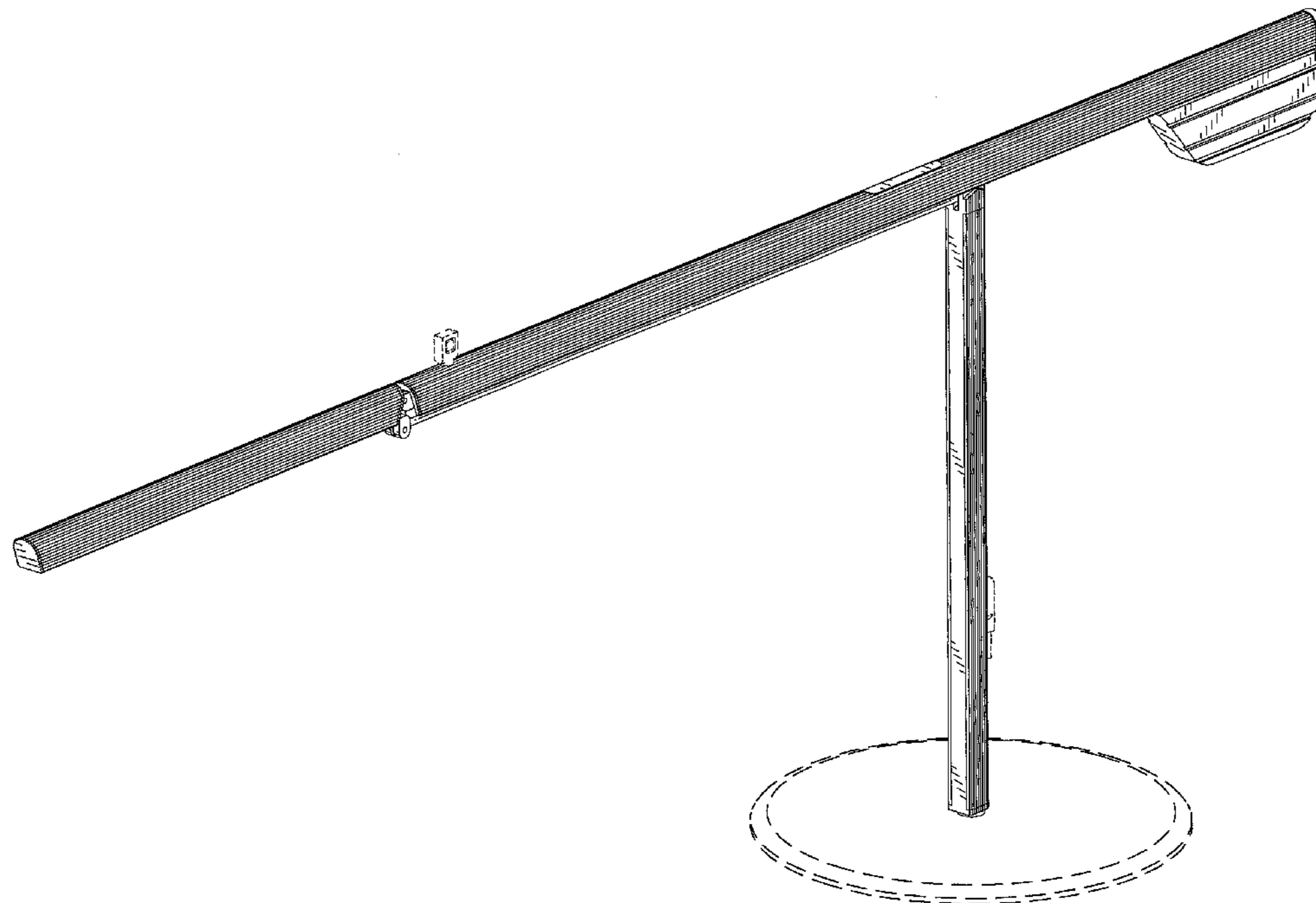
FIG. 9 is a partial enlarged view of FIG. 8 thereof; and,

FIG. 10 is a cross-sectional view of the cross arm taken along line 10-10 in FIG. 8 showing the ridges are of uniform height.

The ridges along the entire cross arm and in the supporting base are all of the same, uniform height.

The portions shown in broken lines are for illustrative purposes only and form no part of the claimed design.

1 Claim, 8 Drawing Sheets



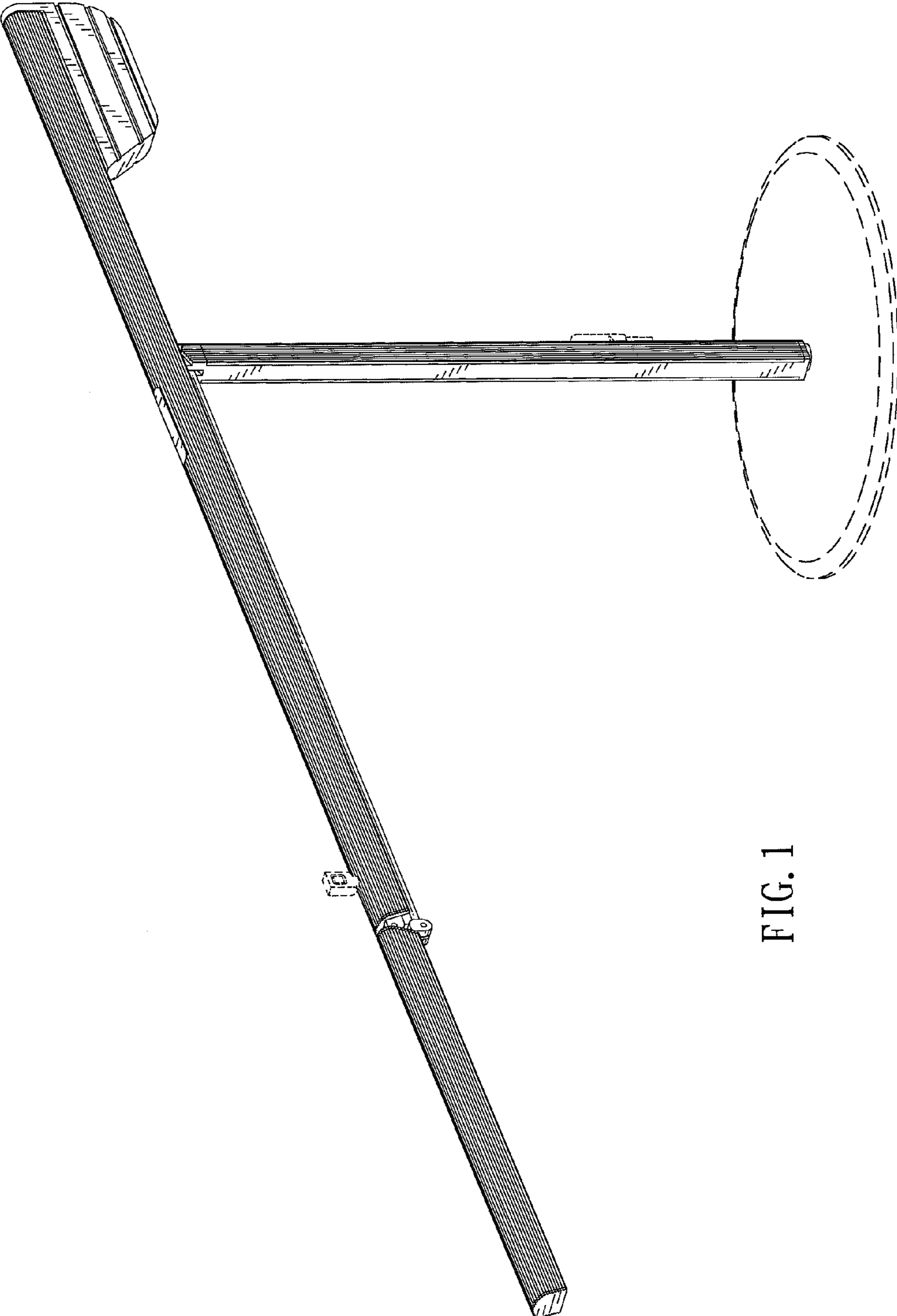


FIG. 1

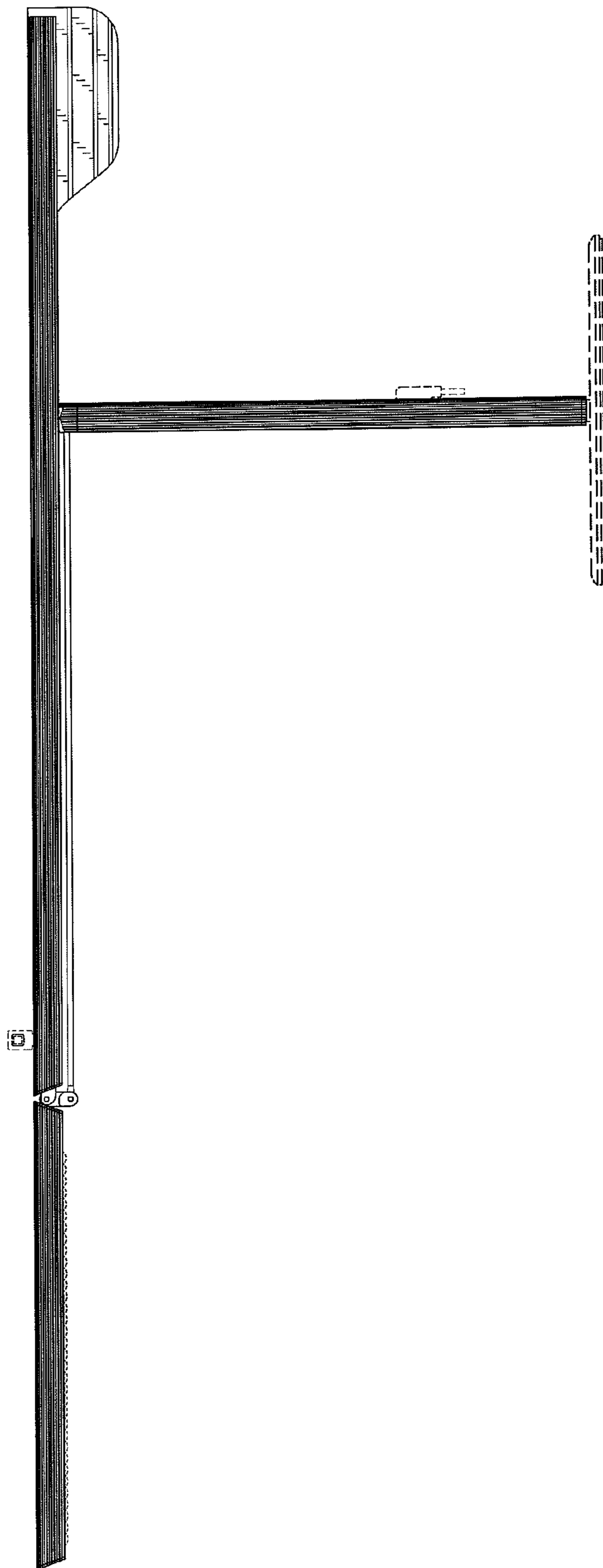


FIG. 2

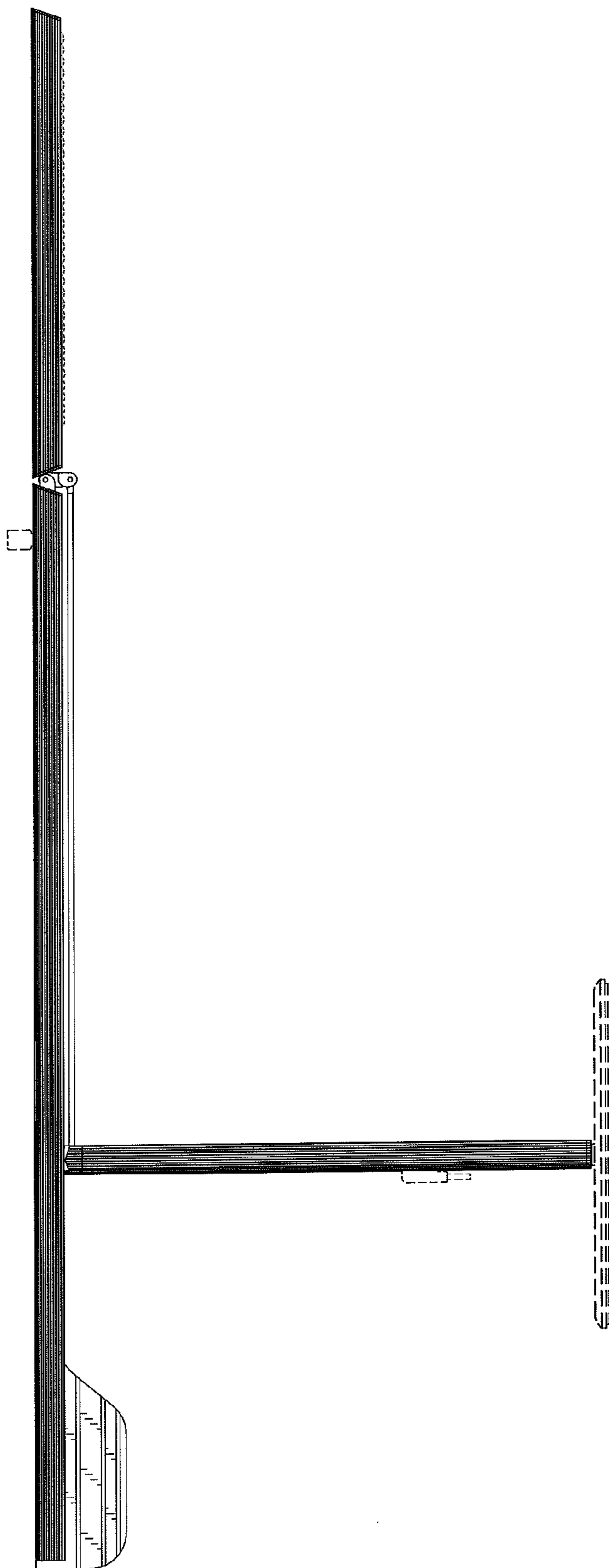


FIG. 3

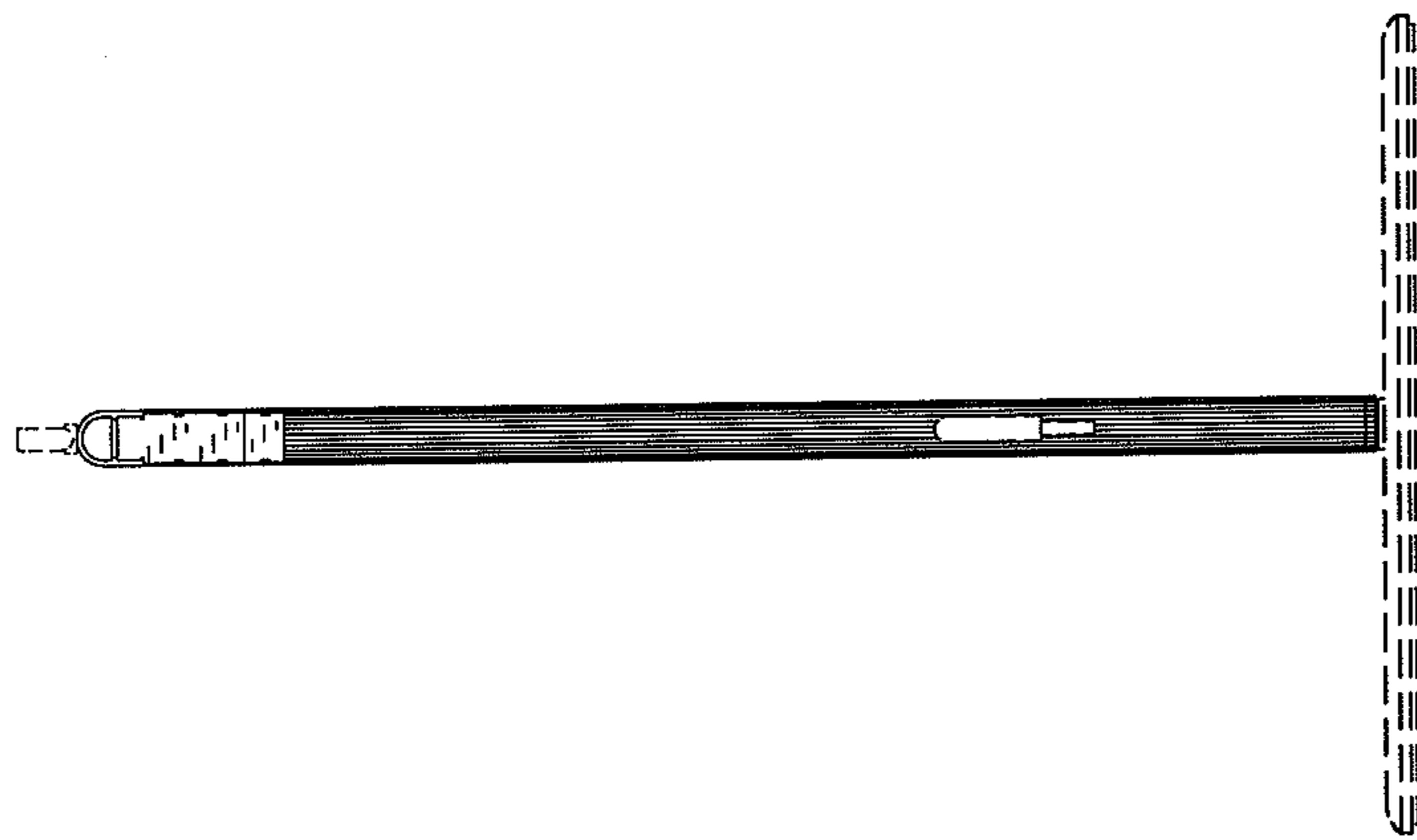


FIG. 5

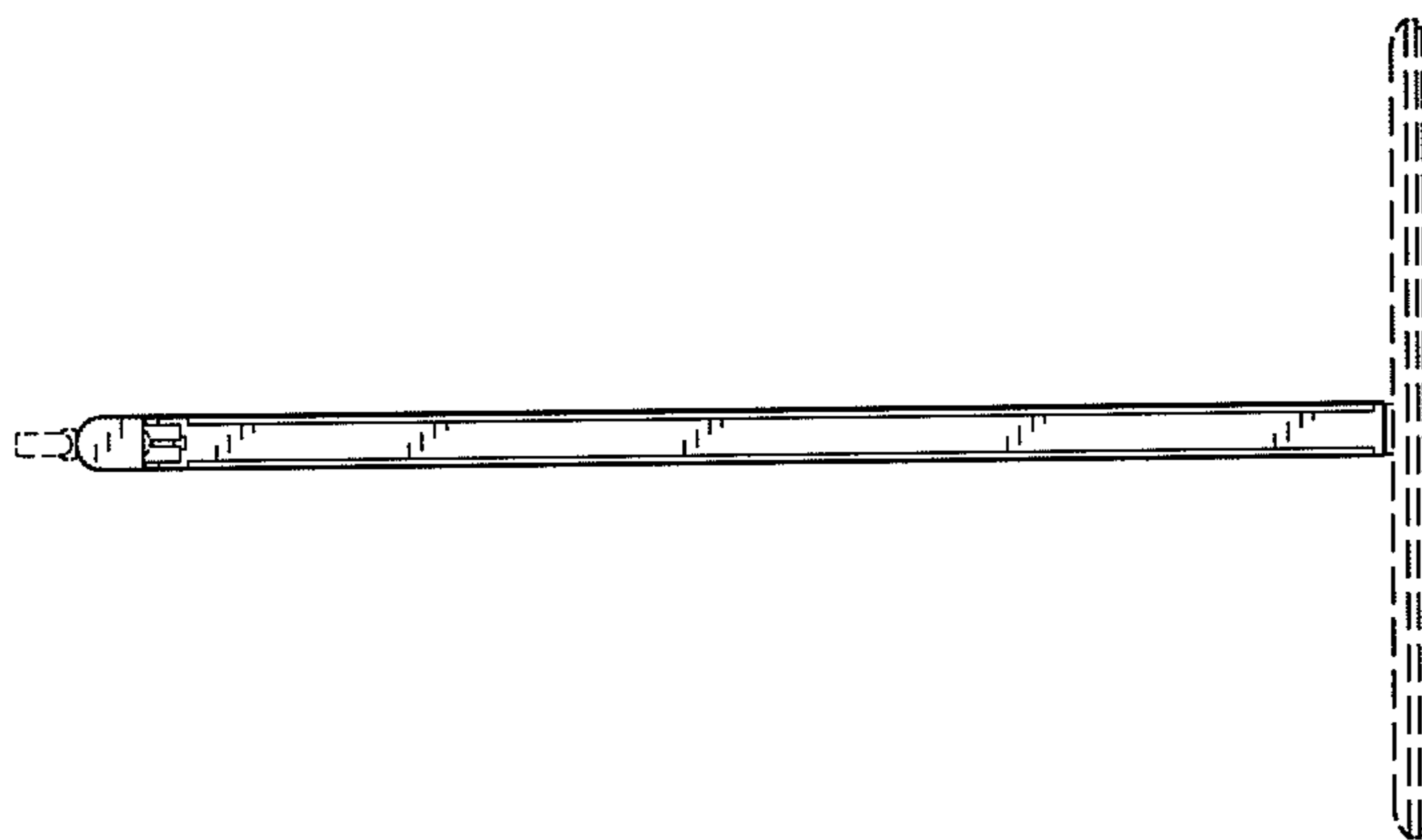


FIG. 4

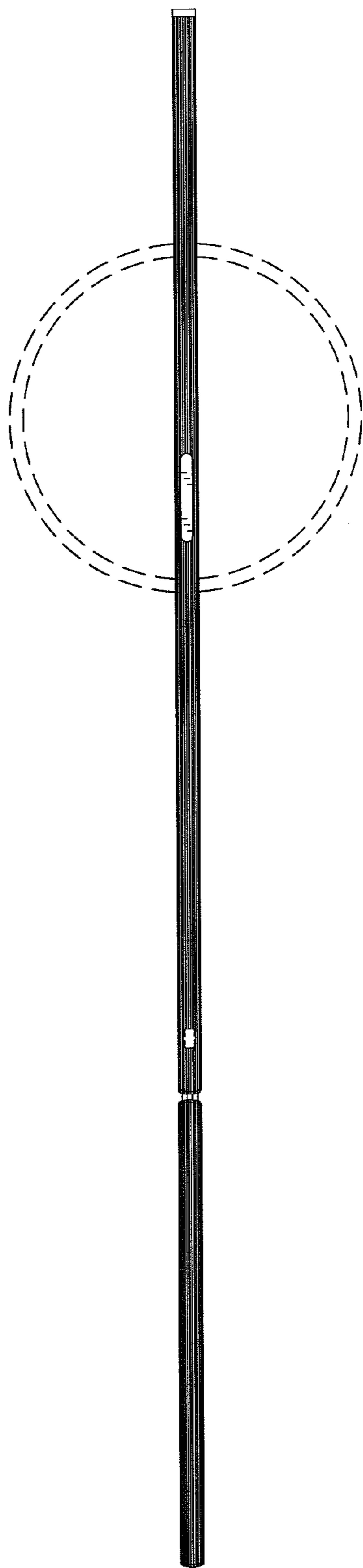


FIG. 6

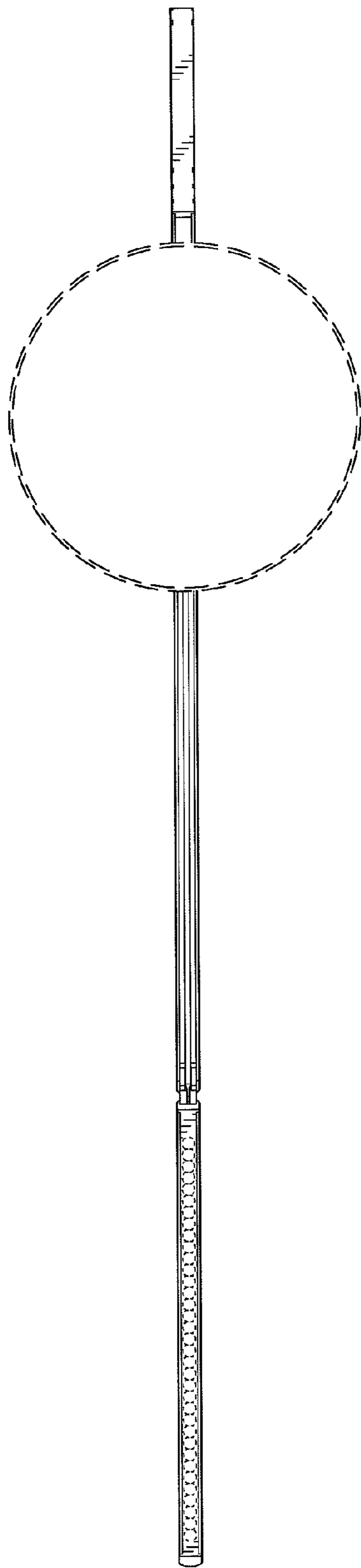


FIG. 7

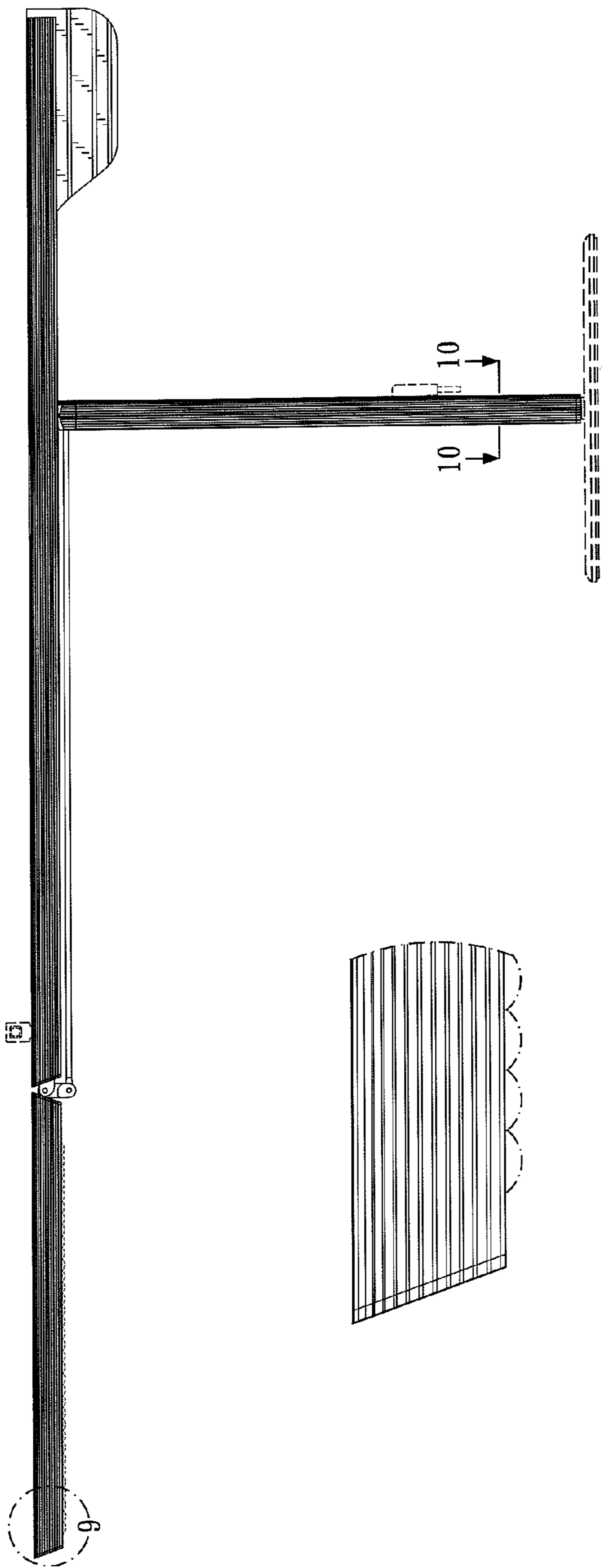


FIG. 8

FIG. 9

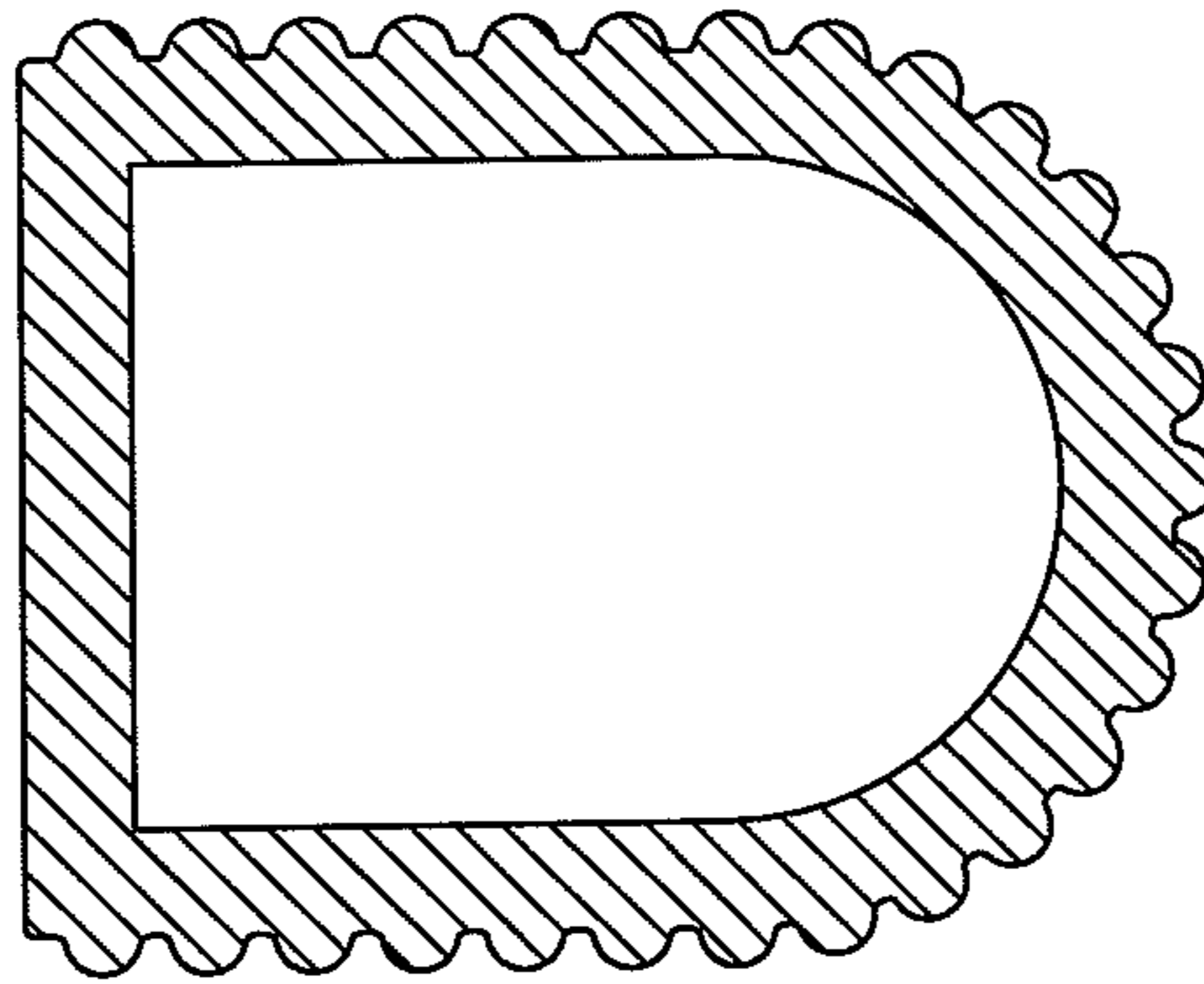


FIG. 10