



US00D687581S

(12) **United States Design Patent**
Pardikes et al.

(10) **Patent No.:** **US D687,581 S**

(45) **Date of Patent:** **** Aug. 6, 2013**

(54) **LINEAR ILLUMINATION UNIT**

D576,749 S * 9/2008 Kitagawa et al. D26/3
D577,138 S * 9/2008 Kitagawa et al. D26/37
D614,323 S * 4/2010 Stewart et al. D26/3

(75) Inventors: **Brett Pardikes**, Arvada, CO (US);
Steven Ray, Longmont, CO (US)

* cited by examiner

(73) Assignee: **TerraLUX, Inc.**, Longmont, CO (US)

Primary Examiner — Marcus Jackson

(**) Term: **14 Years**

(74) *Attorney, Agent, or Firm* — Bingham McCutchen LLP

(21) Appl. No.: **29/410,608**

(57) **CLAIM**

(22) Filed: **Jan. 10, 2012**

The ornamental design for a linear illumination unit, substantially as shown.

(51) **LOC (9) Cl.** **26-04**

(52) **U.S. Cl.**
USPC **D26/3**

DESCRIPTION

(58) **Field of Classification Search**
USPC D26/1-4; 313/313, 315, 316, 317,
313/318, 493; 315/52, 53, 56, 57, 58
See application file for complete search history.

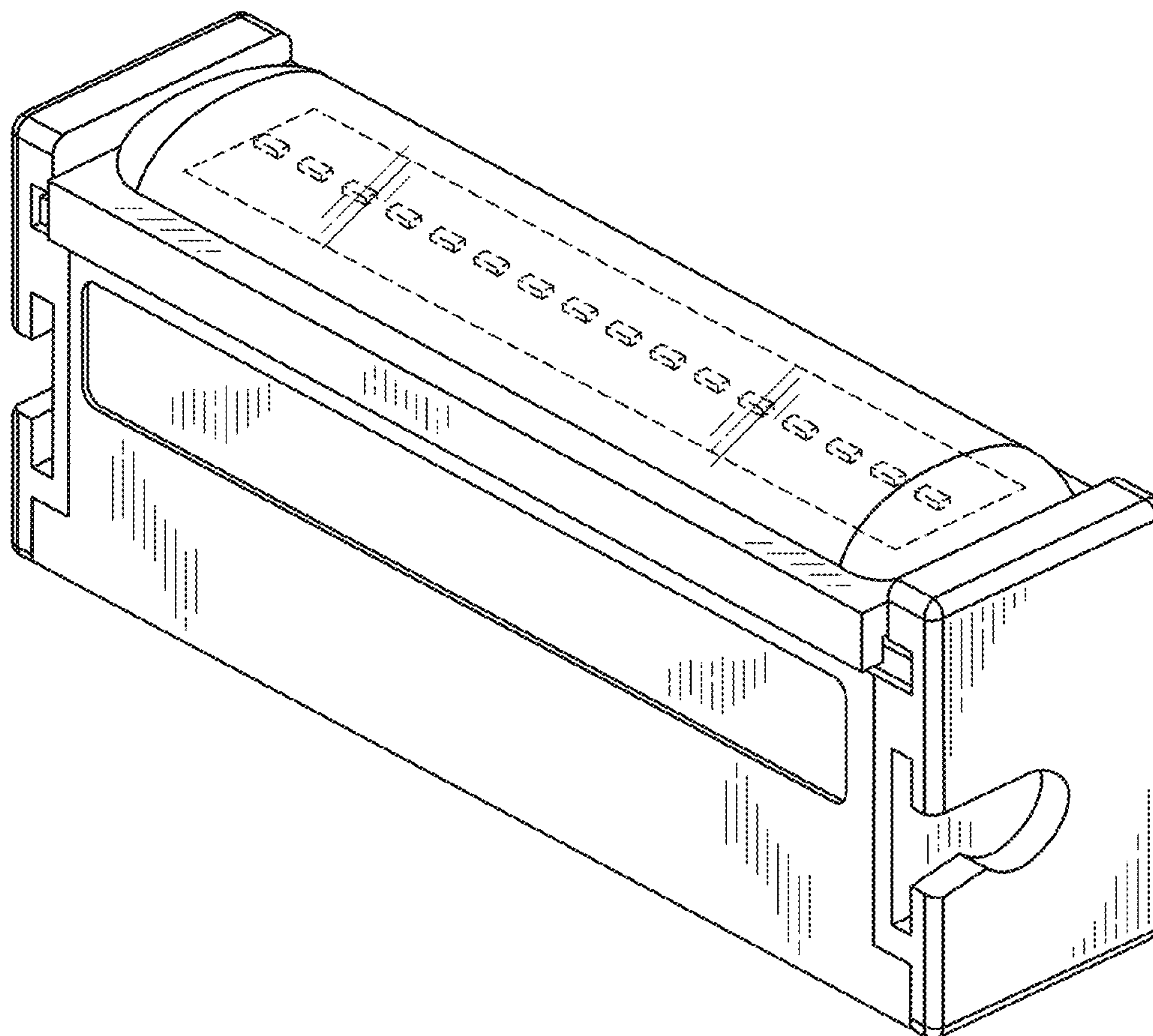
FIG. 1 is a perspective view of a linear illumination unit incorporating the design;
FIG. 2 is a top view thereof;
FIG. 3 is a bottom view thereof;
FIG. 4 is a right-side elevation view thereof;
FIG. 5 is a left-side elevation view thereof;
FIG. 6 is a front view thereof; and,
FIG. 7 is a back view thereof.

(56) **References Cited**

U.S. PATENT DOCUMENTS

D506,274 S * 6/2005 Moriyama et al. D26/3
D550,379 S * 9/2007 Hoshikawa et al. D26/25
D574,093 S * 7/2008 Kitagawa et al. D26/3

1 Claim, 4 Drawing Sheets



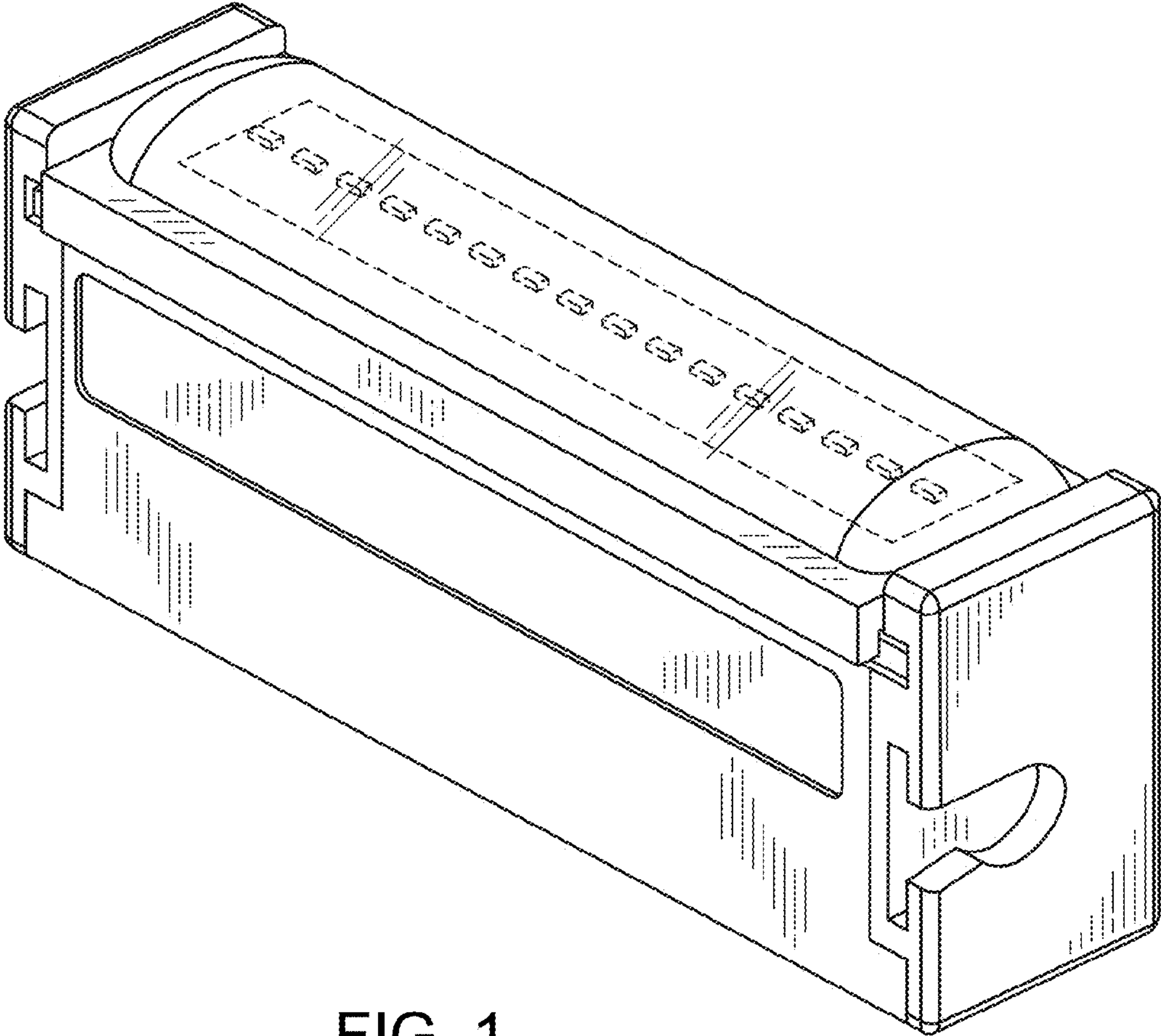


FIG. 1

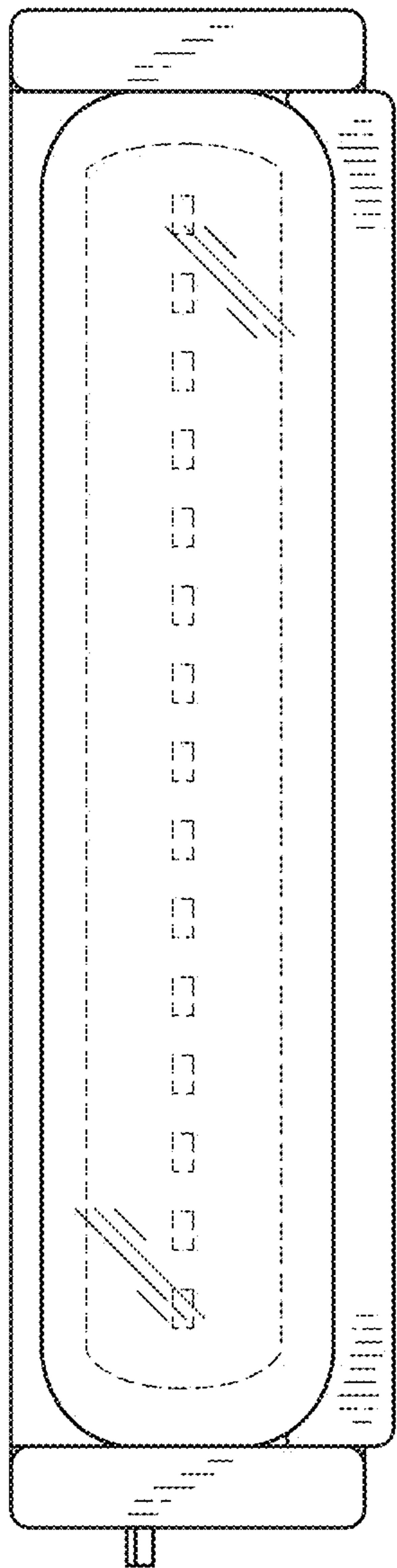


FIG. 2

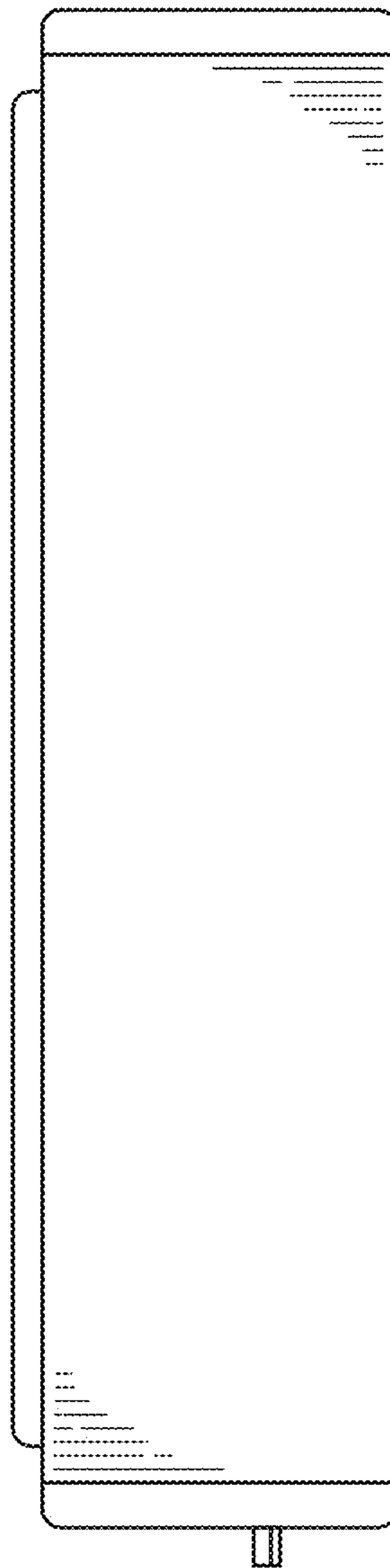


FIG. 3

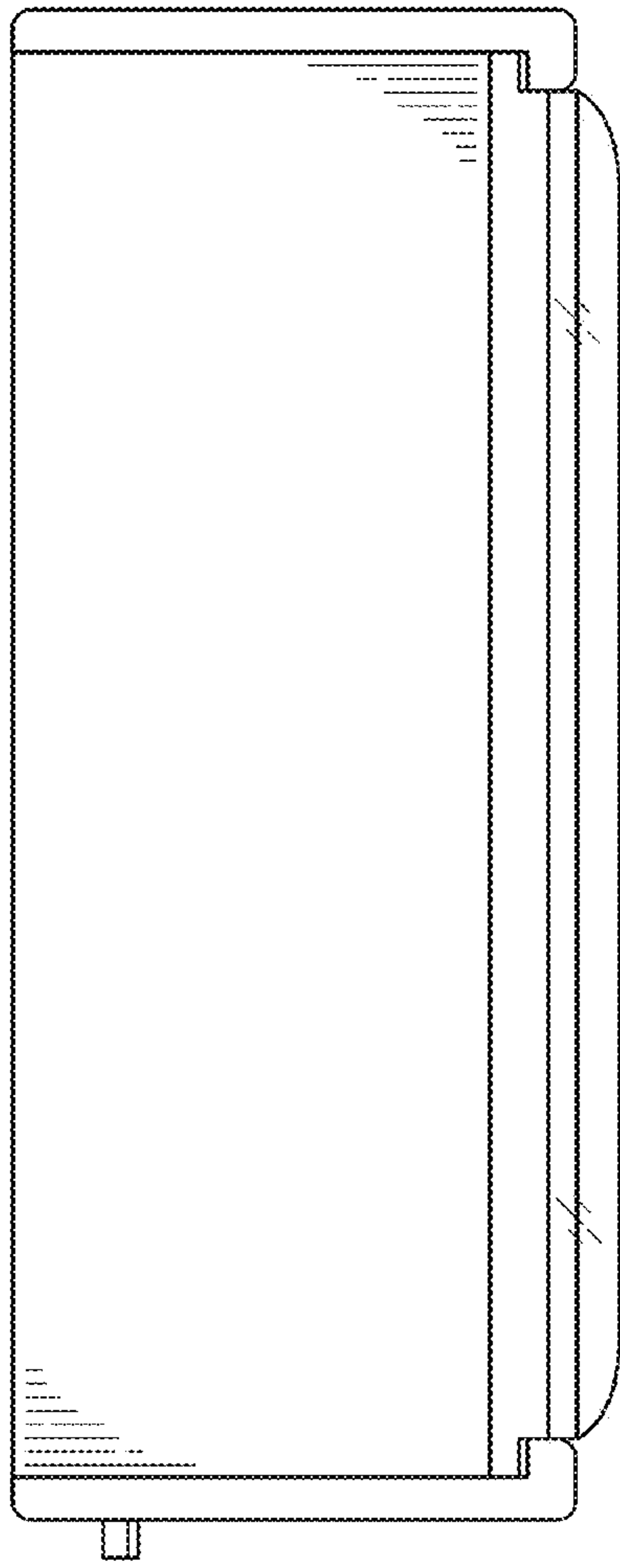


FIG. 4

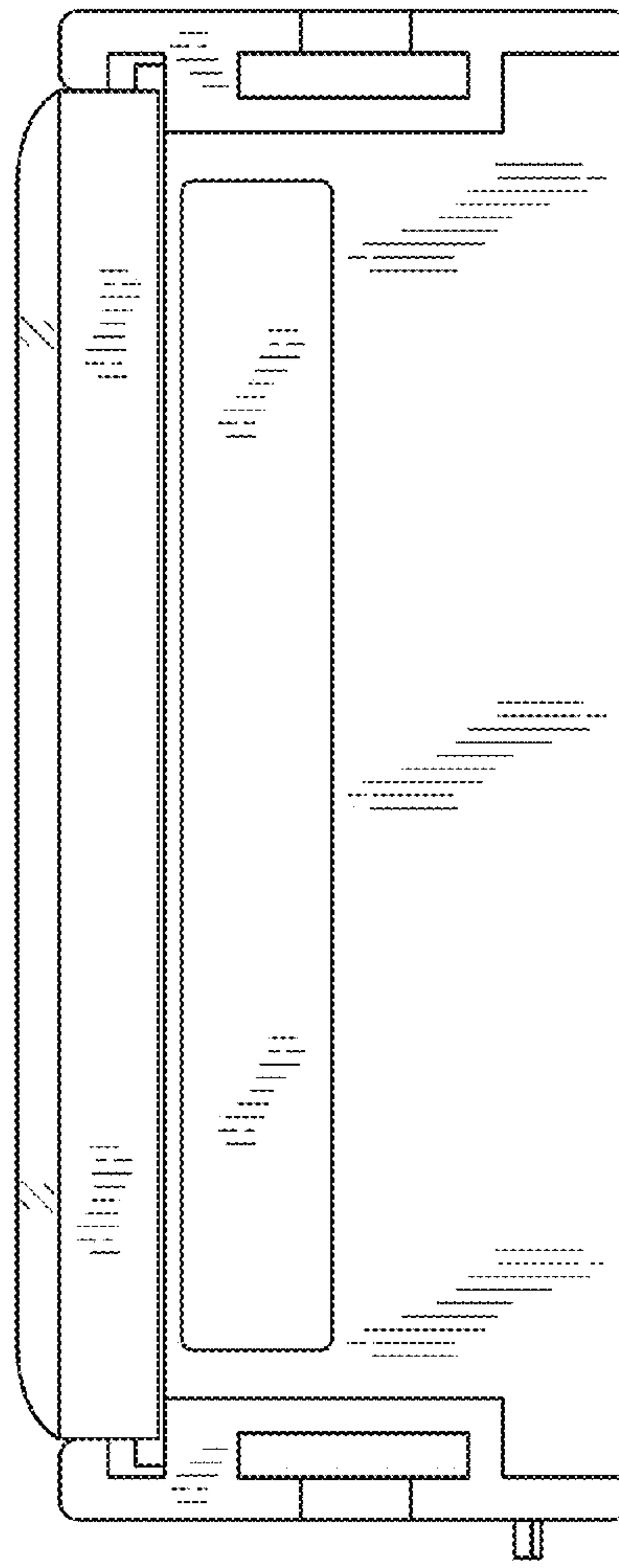


FIG. 5

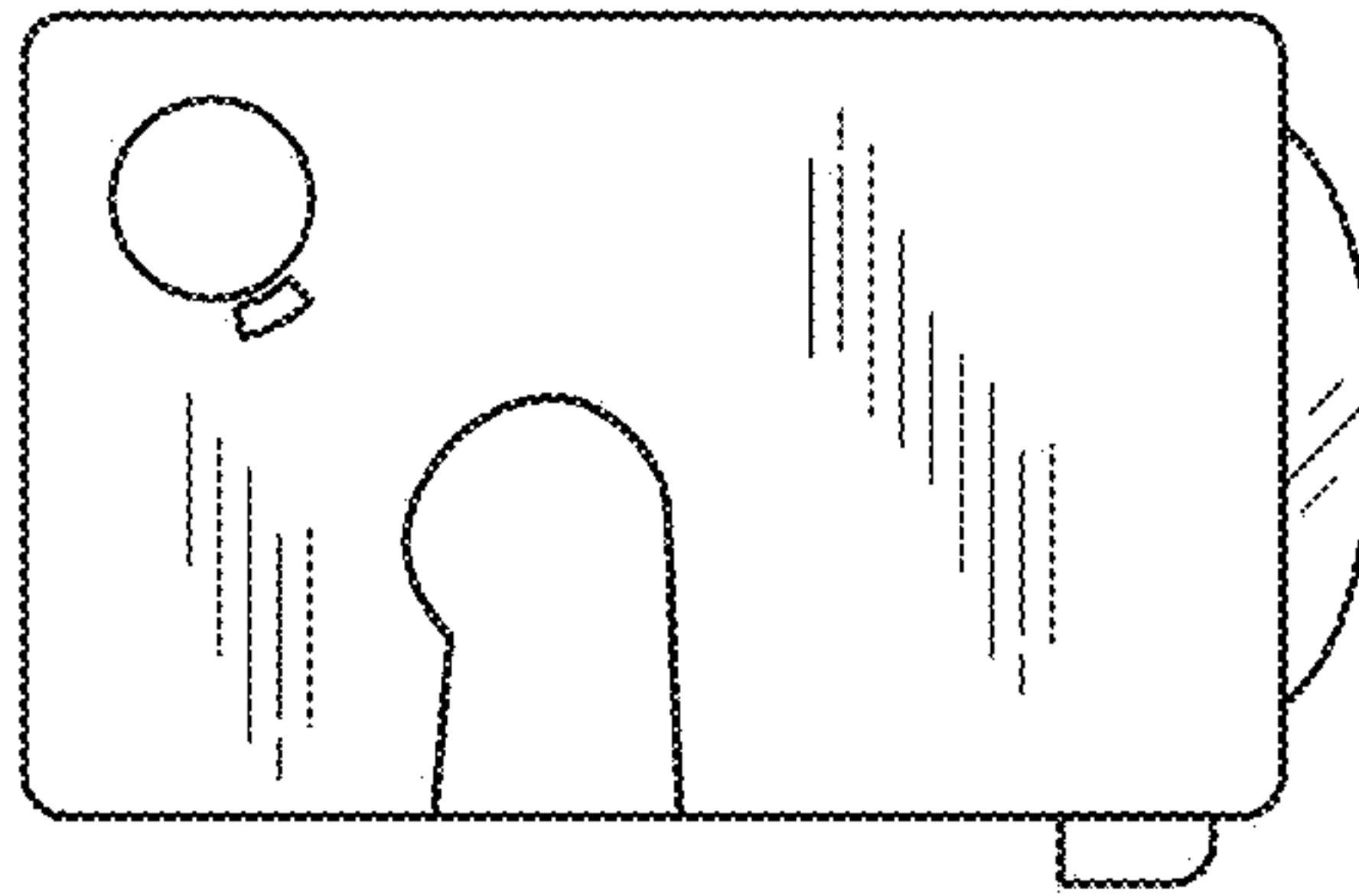


FIG. 6

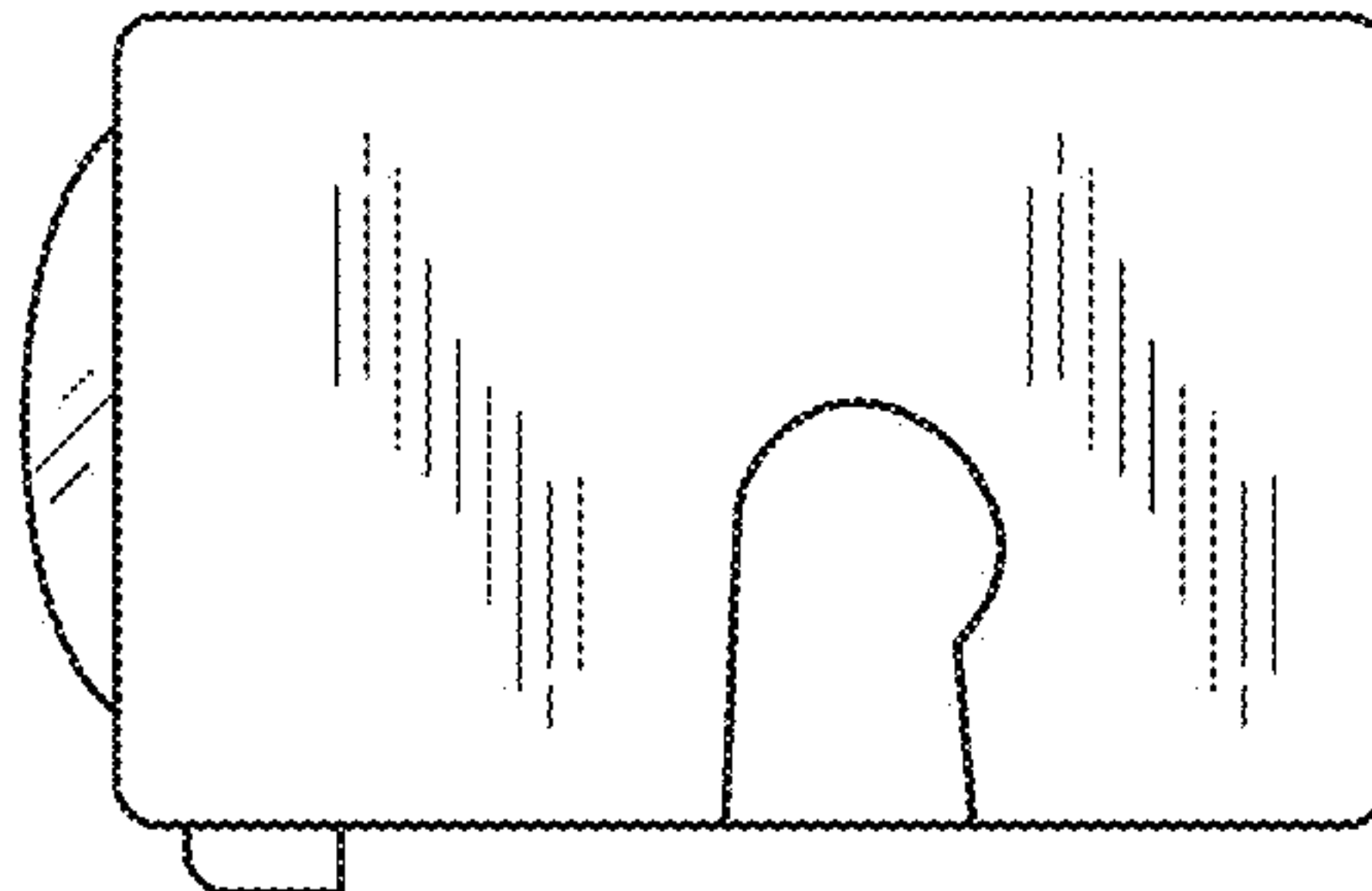


FIG. 7