



US00D687579S

(12) **United States Design Patent**  
**Lu et al.**

(10) **Patent No.:** **US D687,579 S**  
(45) **Date of Patent:** **\*\* Aug. 6, 2013**

(54) **LAMP**

(75) Inventors: **Dong Lu**, Cary, NC (US); **Curt Progl**,  
Raleigh, NC (US); **Paul Kenneth**  
**Pickard**, Morrisville, NC (US)

(73) Assignee: **Cree, Inc.**, Durham, NC (US)

(\*\*) Term: **14 Years**

(21) Appl. No.: **29/422,277**

(22) Filed: **May 18, 2012**

(51) **LOC (9) Cl.** ..... **26-04**

(52) **U.S. Cl.**  
USPC ..... **D26/2**

(58) **Field of Classification Search**  
USPC ..... D26/1-4; 313/313, 315, 316, 317,  
313/318, 493; 315/52, 53, 56, 57, 58  
See application file for complete search history.

(56) **References Cited**

**U.S. PATENT DOCUMENTS**

D497,439 S	*	10/2004	Shaw et al.	.....	D26/2
D530,836 S	*	10/2006	Johnson	.....	D26/2
D535,408 S	*	1/2007	Tseng	.....	D26/24
D545,457 S	*	6/2007	Chen	.....	D26/2
D551,784 S	*	9/2007	Krieglmeyer et al.	.....	D26/2
D572,385 S	*	7/2008	Mazzochette et al.	.....	D26/2
D601,275 S	*	9/2009	Ho et al.	.....	D26/2

**OTHER PUBLICATIONS**

U.S. Appl. No. 29/430,958, filed Aug. 31, 2012.

\* cited by examiner

*Primary Examiner* — Marcus Jackson

(74) *Attorney, Agent, or Firm* — Dennis J. Williamson;  
Moore & Van Allen PLLC

(57) **CLAIM**

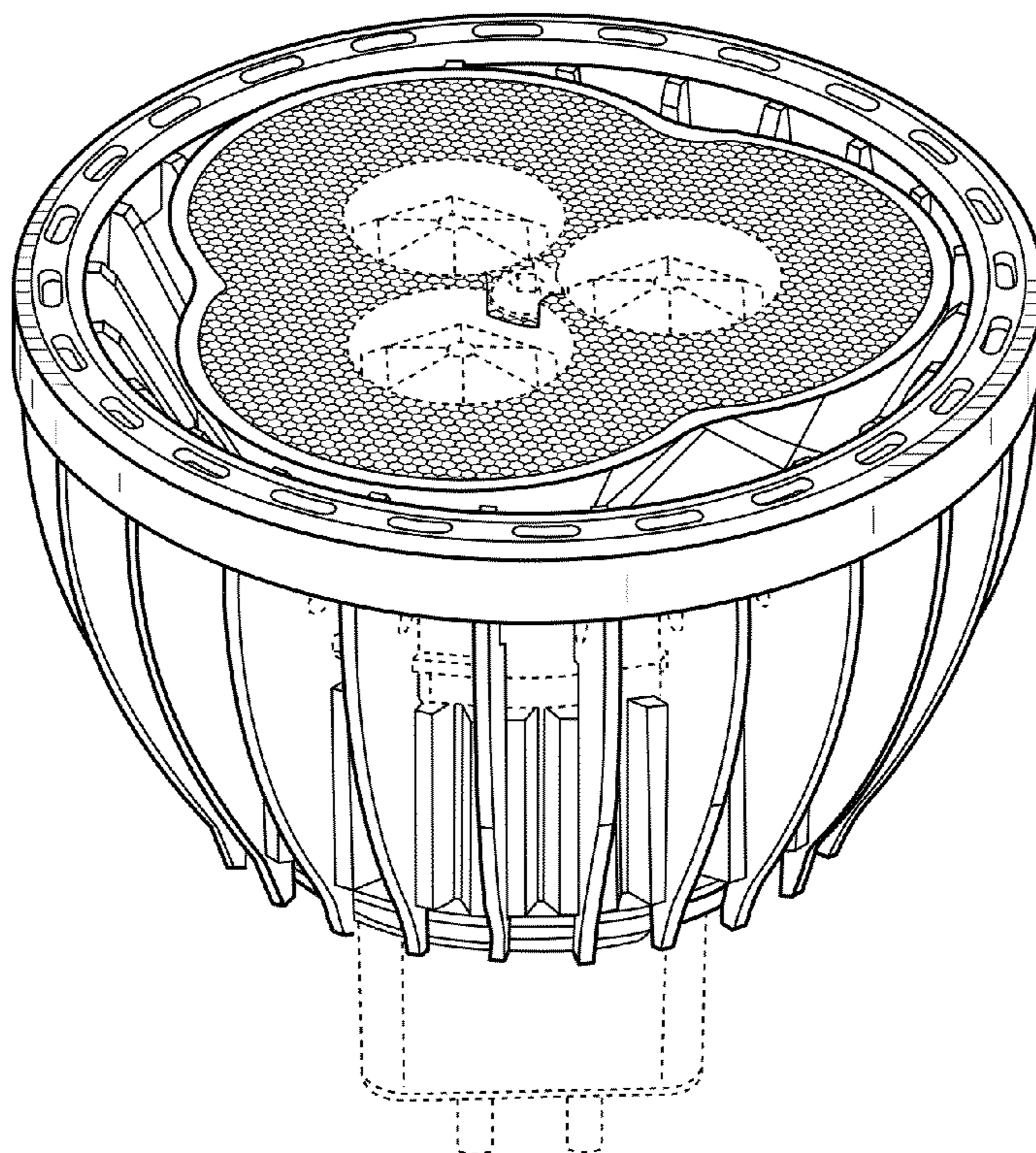
We claim the ornamental design for a lamp, as shown and described.

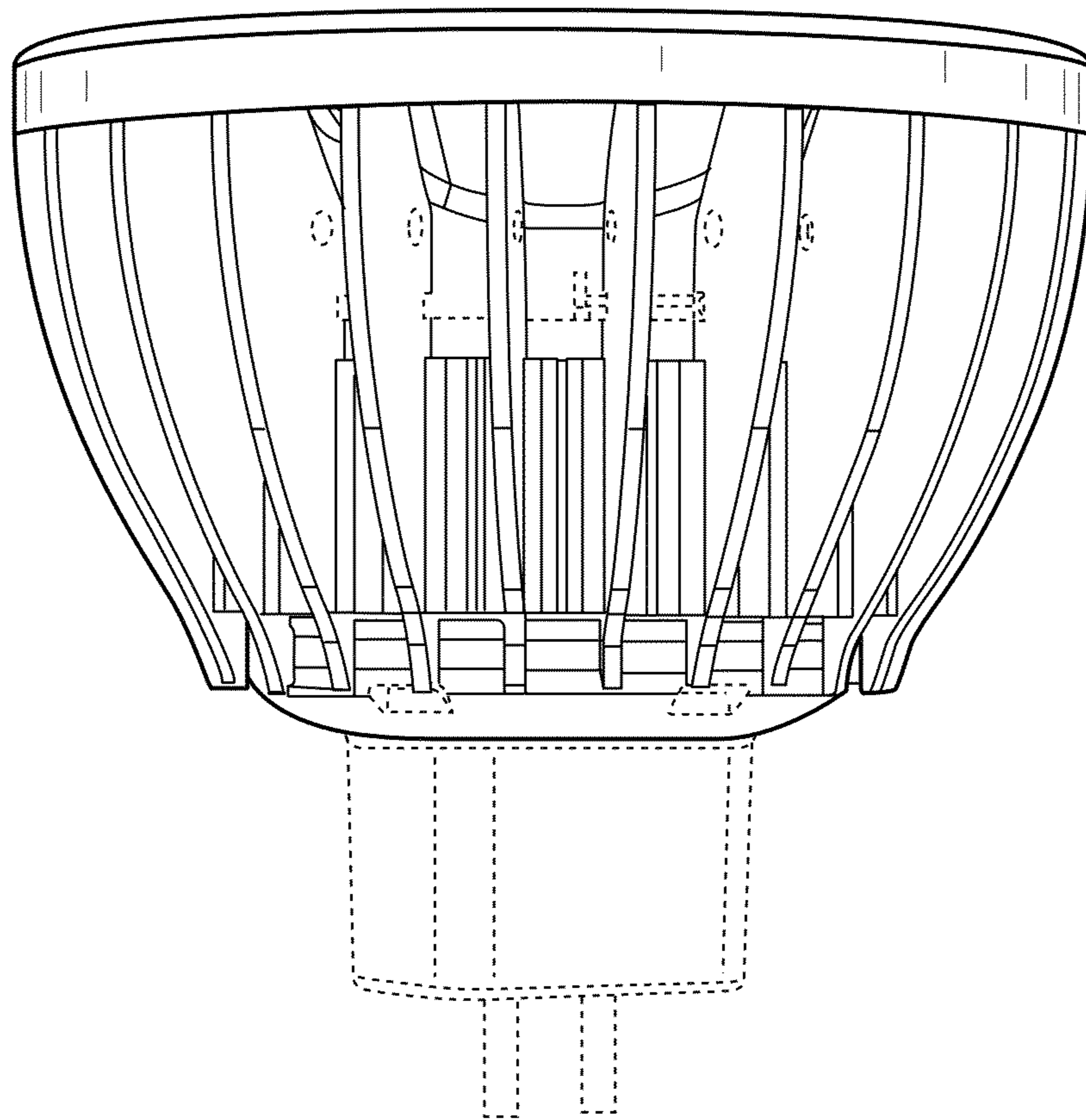
**DESCRIPTION**

FIG. 1 is a front view showing our new design for a lamp;  
FIG. 2 is a right side view showing our new design shown in FIG. 1;  
FIG. 3 is a left side view showing our new design shown in FIG. 1;  
FIG. 4 is a back view showing our new design shown in FIG. 1;  
FIG. 5 is a top view showing our new design shown in FIG. 1;  
FIG. 6 is a bottom view showing our new design shown in FIG. 1; and,  
FIG. 7 is a perspective view showing our new design shown in FIG. 1.

The portions shown in broken lines are not part of the claimed design but show the environment in which the design is associated.

**1 Claim, 7 Drawing Sheets**





**FIG. 1**

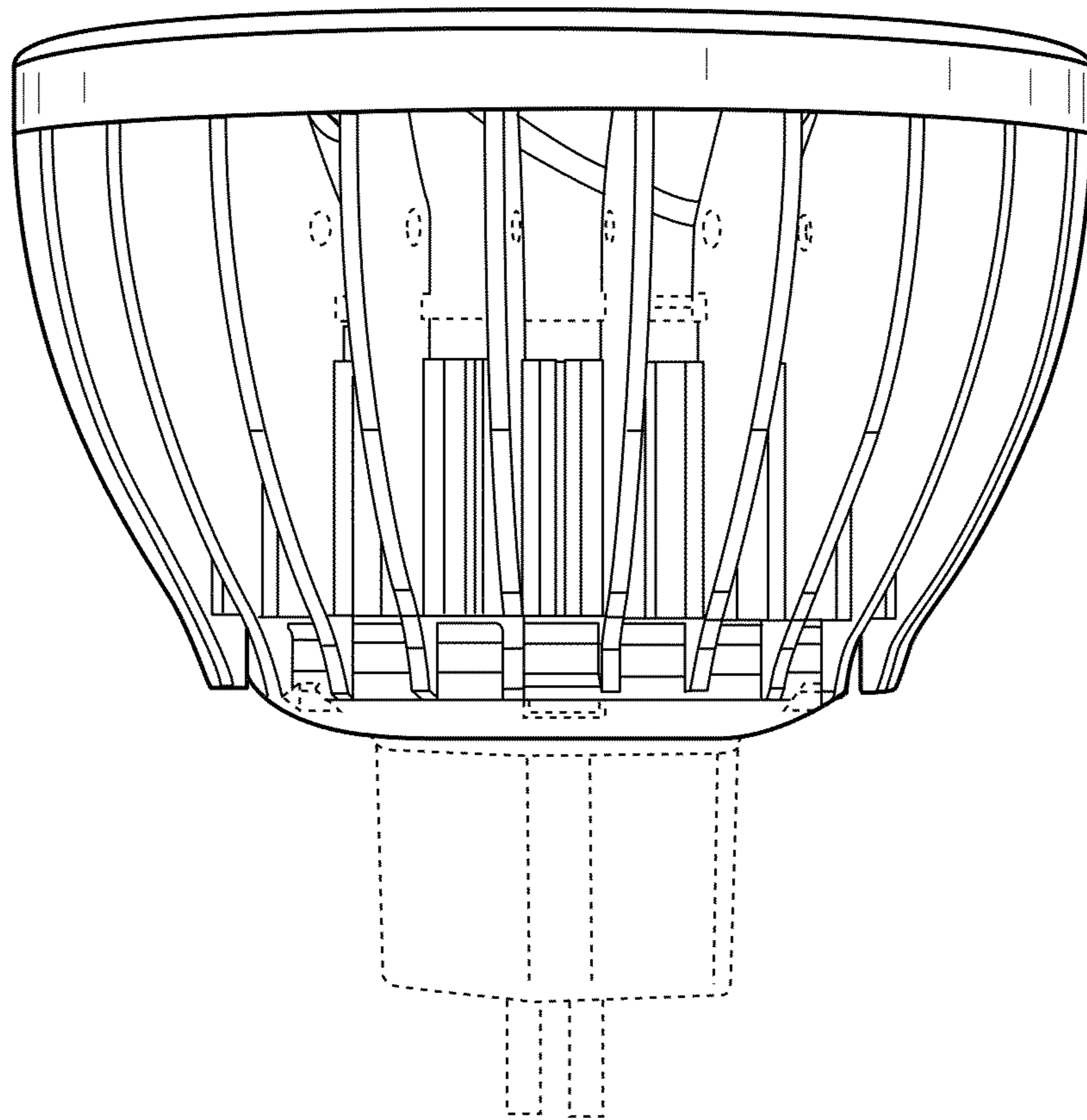
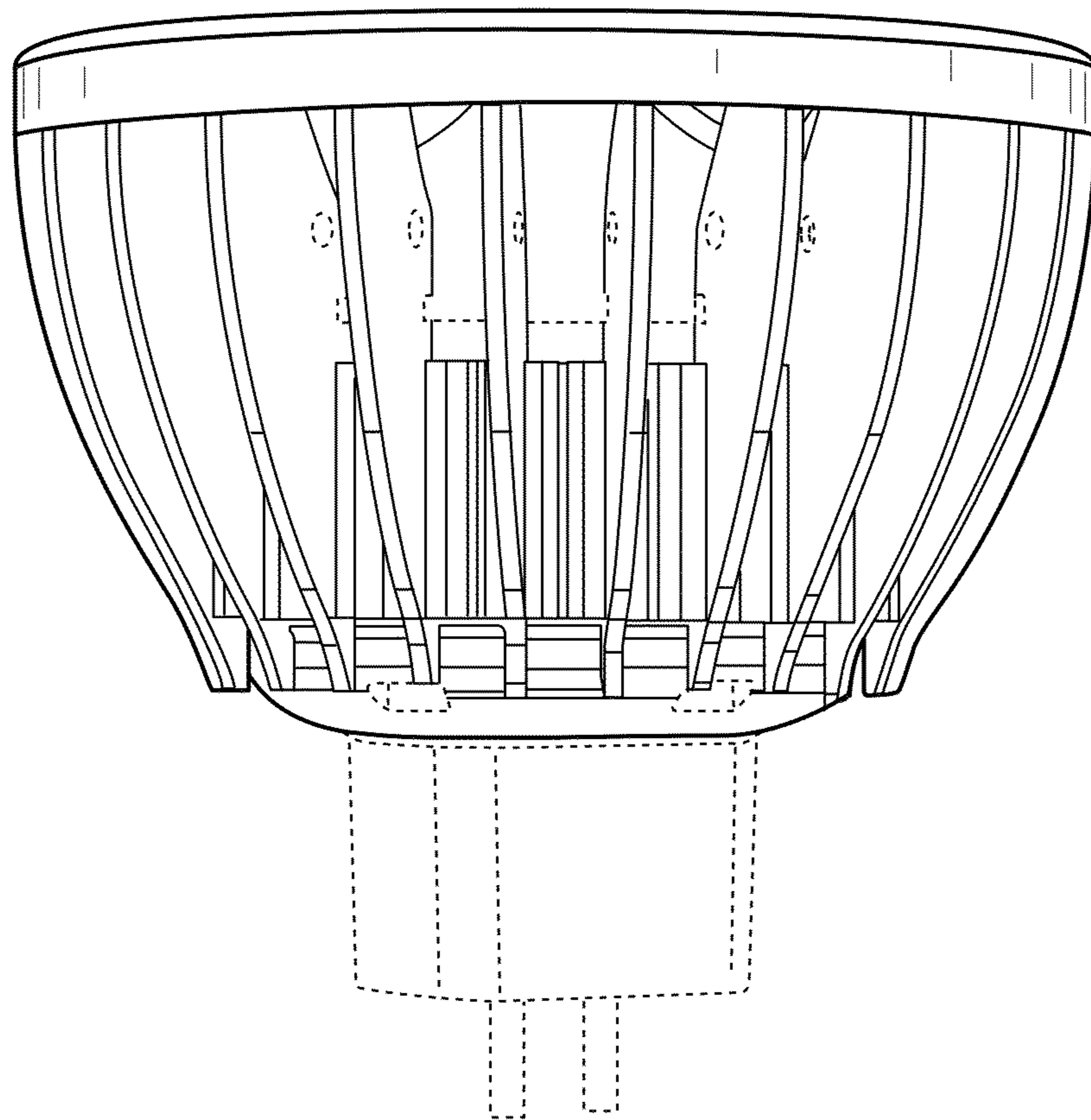
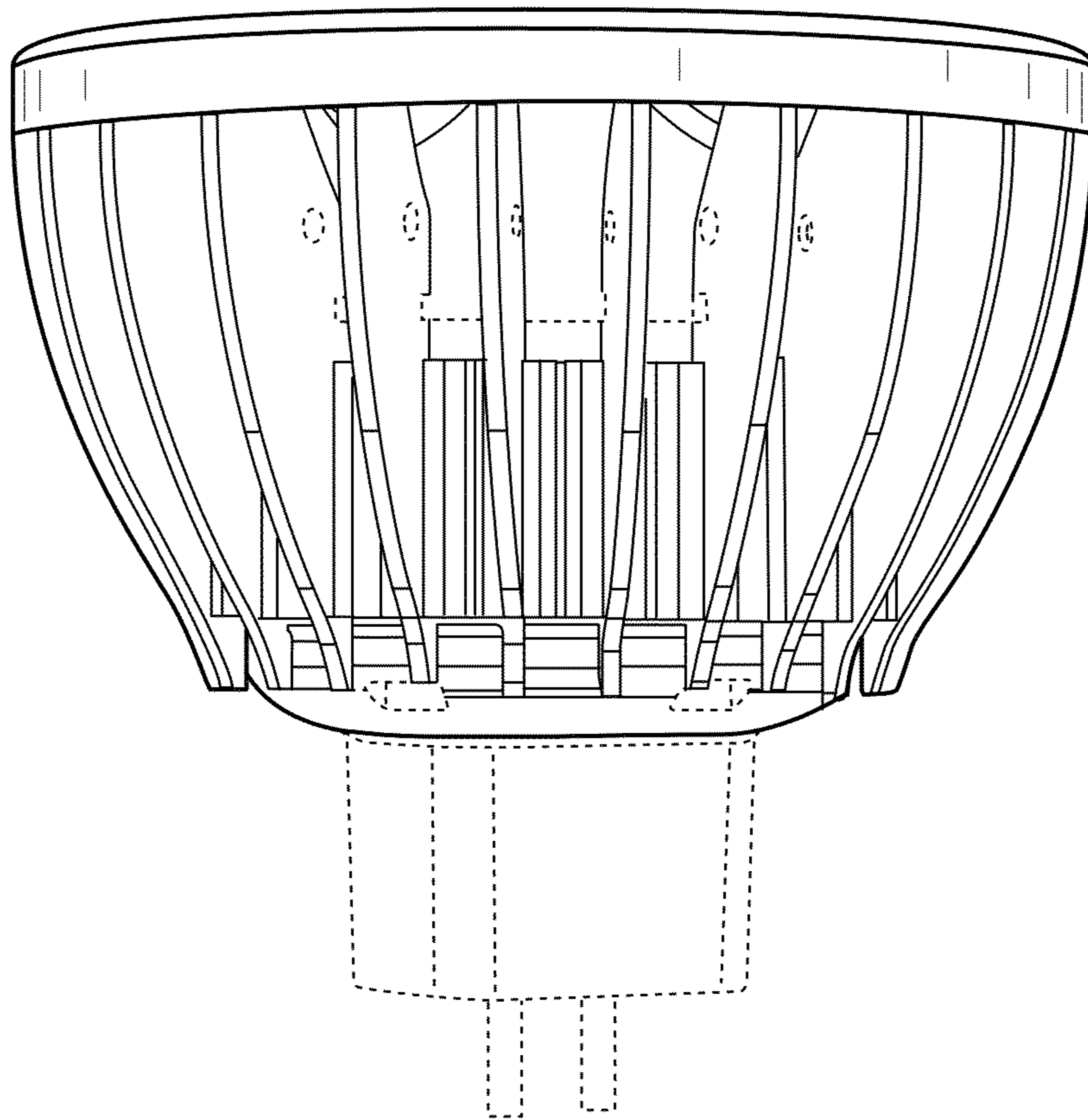


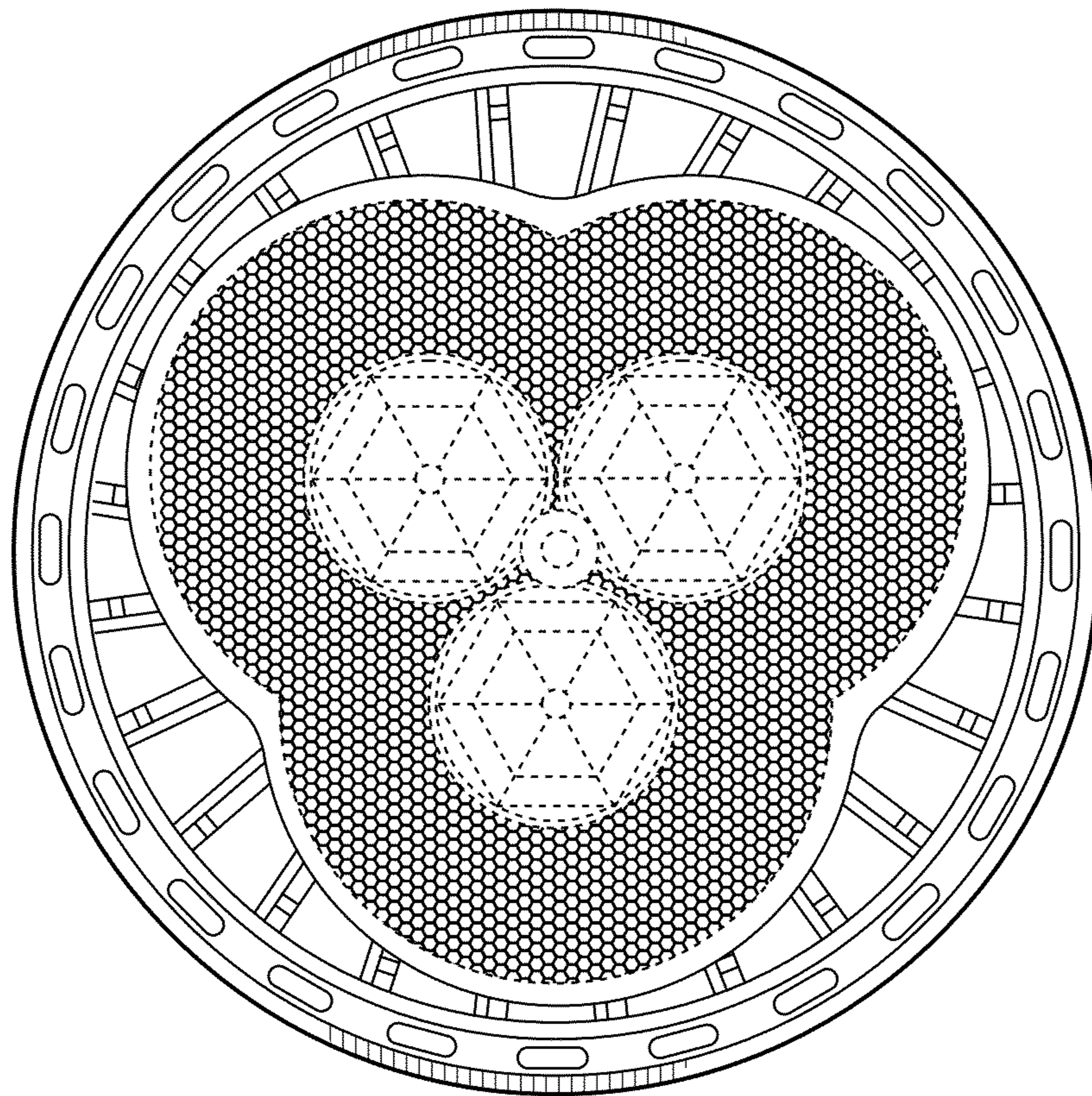
FIG. 2



**FIG. 3**



**FIG. 4**



**FIG. 5**

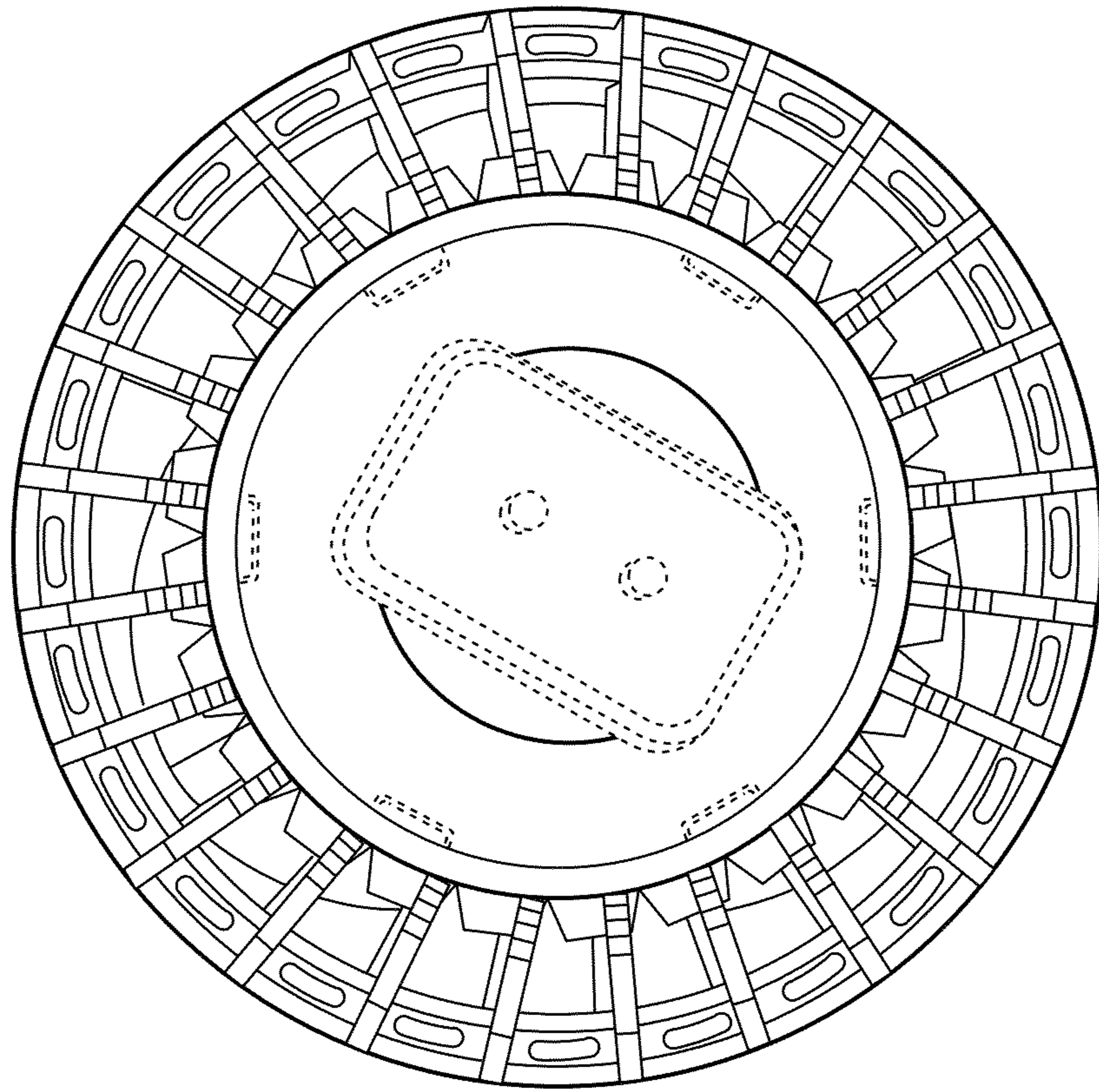


FIG. 6

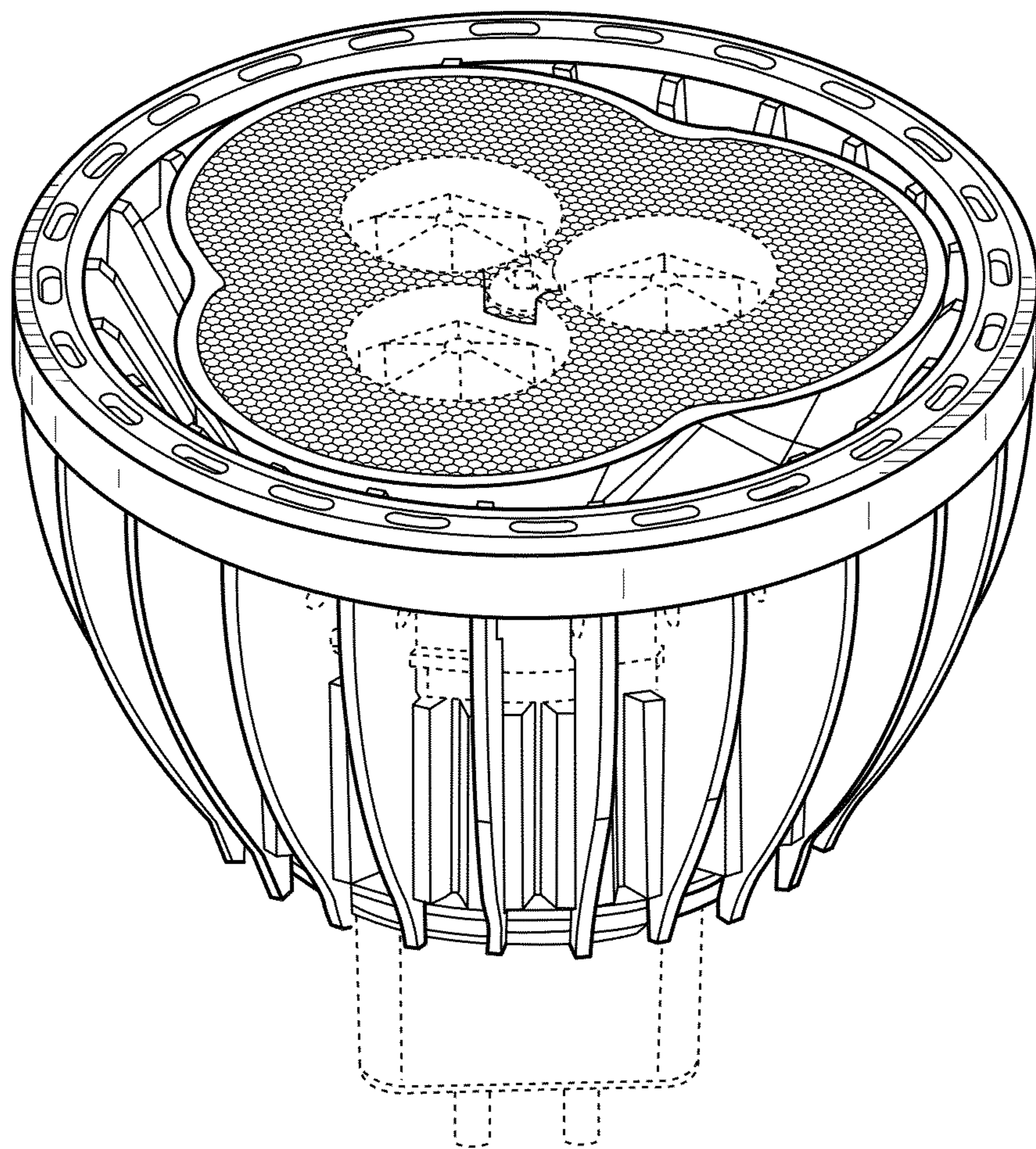


FIG. 7