



US00D687578S

(12) **United States Design Patent**  
**Brown et al.**

(10) **Patent No.:** **US D687,578 S**

(45) **Date of Patent:** **\*\* Aug. 6, 2013**

(54) **LIGHT FIXTURE**

(75) Inventors: **Wendell Brown**, Henderson, NV (US);  
**Jonathan Fram**, Beverly Hills, CA (US)

(73) Assignee: **Nularis, Inc.**, West Hollywood, CA (US)

(\*\*) Term: **14 Years**

(21) Appl. No.: **29/409,962**

(22) Filed: **Dec. 30, 2011**

(51) **LOC (9) Cl.** ..... **26-04**

(52) **U.S. Cl.**  
USPC ..... **D26/2**

(58) **Field of Classification Search**  
USPC ..... D26/1-4; 313/313, 315, 316, 317,  
313/318, 493; 315/52, 53, 56, 57, 58  
See application file for complete search history.

(56) **References Cited**

U.S. PATENT DOCUMENTS

D535,038	S	*	1/2007	Egawa et al.	.....	D26/2
D582,578	S	*	12/2008	Tsai et al.	.....	D26/2
D584,838	S	*	1/2009	To et al.	.....	D26/2
D594,995	S	*	6/2009	Komar	.....	D26/2

D601,722	S	*	10/2009	Foo	.....	D26/2
D631,989	S	*	2/2011	Bobel	.....	D26/2
D657,075	S	*	4/2012	Guohui	.....	D26/2

\* cited by examiner

*Primary Examiner* — Marcus Jackson

(74) *Attorney, Agent, or Firm* — Park, Vaughan, Fleming & Dowler, LLP

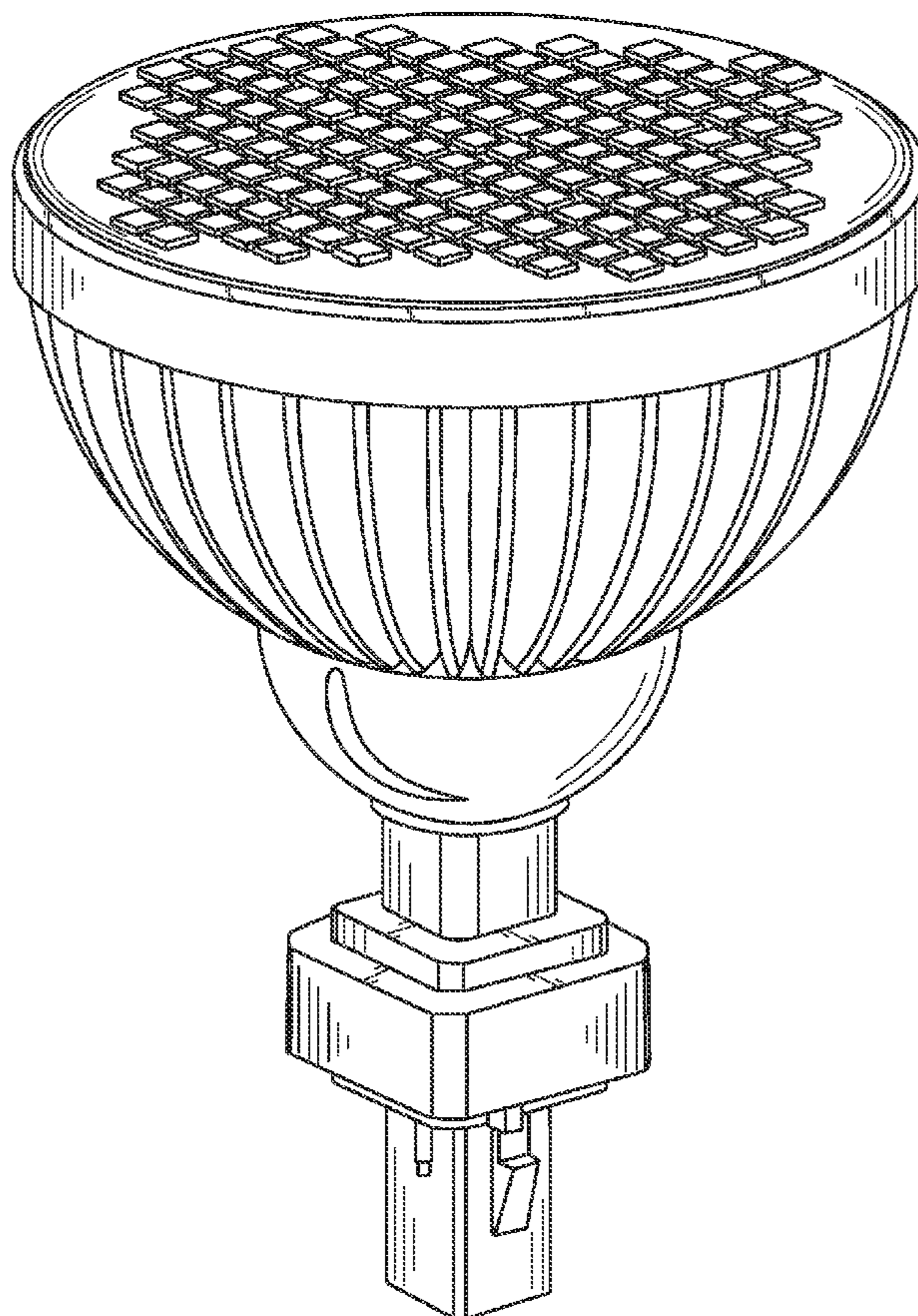
(57) **CLAIM**

The ornamental design for a light fixture, as shown and described.

**DESCRIPTION**

FIG. 1 is a perspective view of a light fixture showing our new design thereof;  
 FIG. 2 is a top plan view thereof;  
 FIG. 3 is a front elevational view thereof;  
 FIG. 4 is a side elevational view thereof;  
 FIG. 5 is a perspective view thereof, with a lens on the top portion cut away for ease of illustration;  
 FIG. 6 is a top plan view thereof, with the lens on top cut away for ease of illustration;  
 FIG. 7 is a front elevational view thereof, with the lens on top; and,  
 FIG. 8 is a side elevational view thereof, with the lens on top.

**1 Claim, 8 Drawing Sheets**



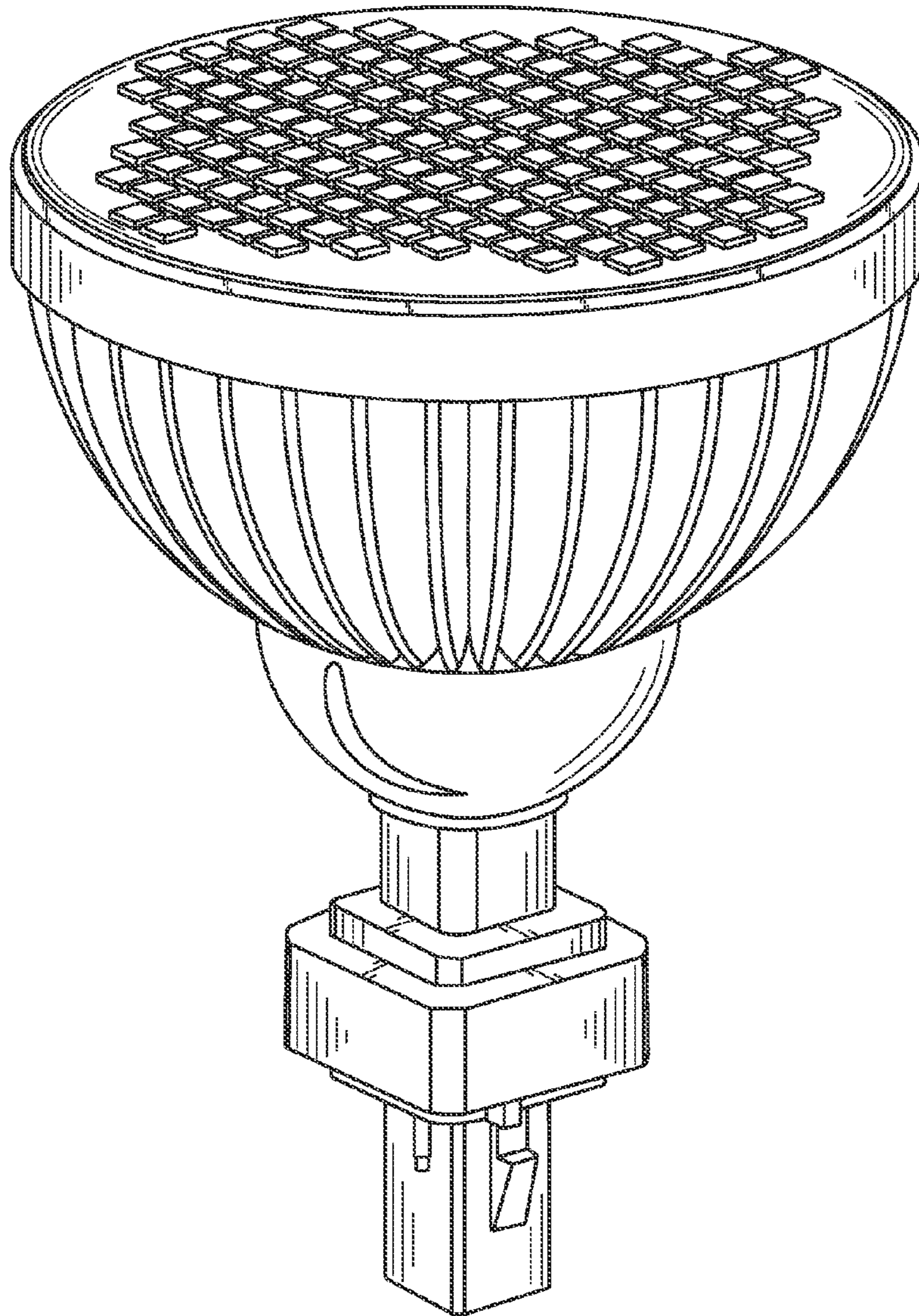


FIG. 1



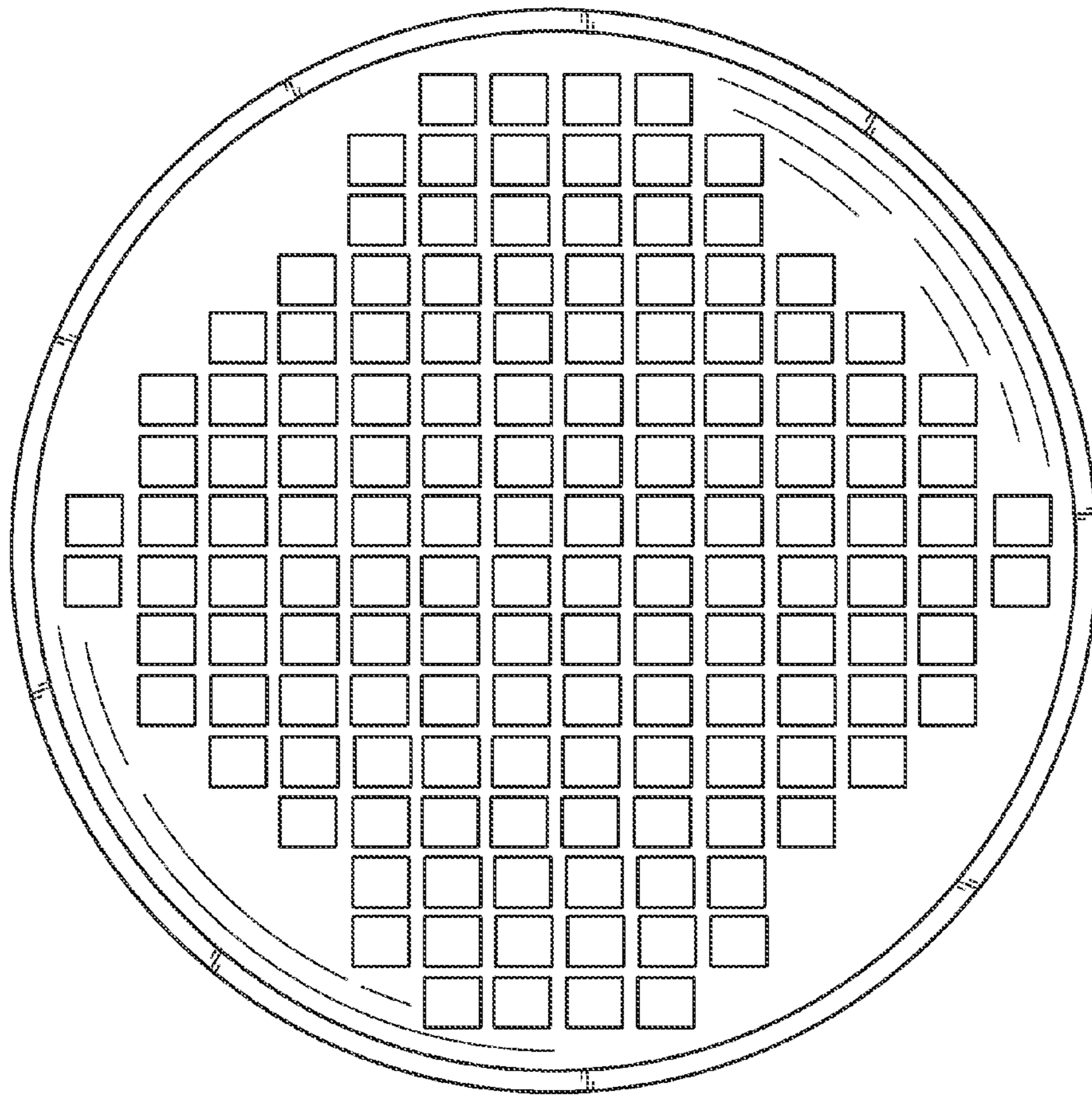


FIG. 2

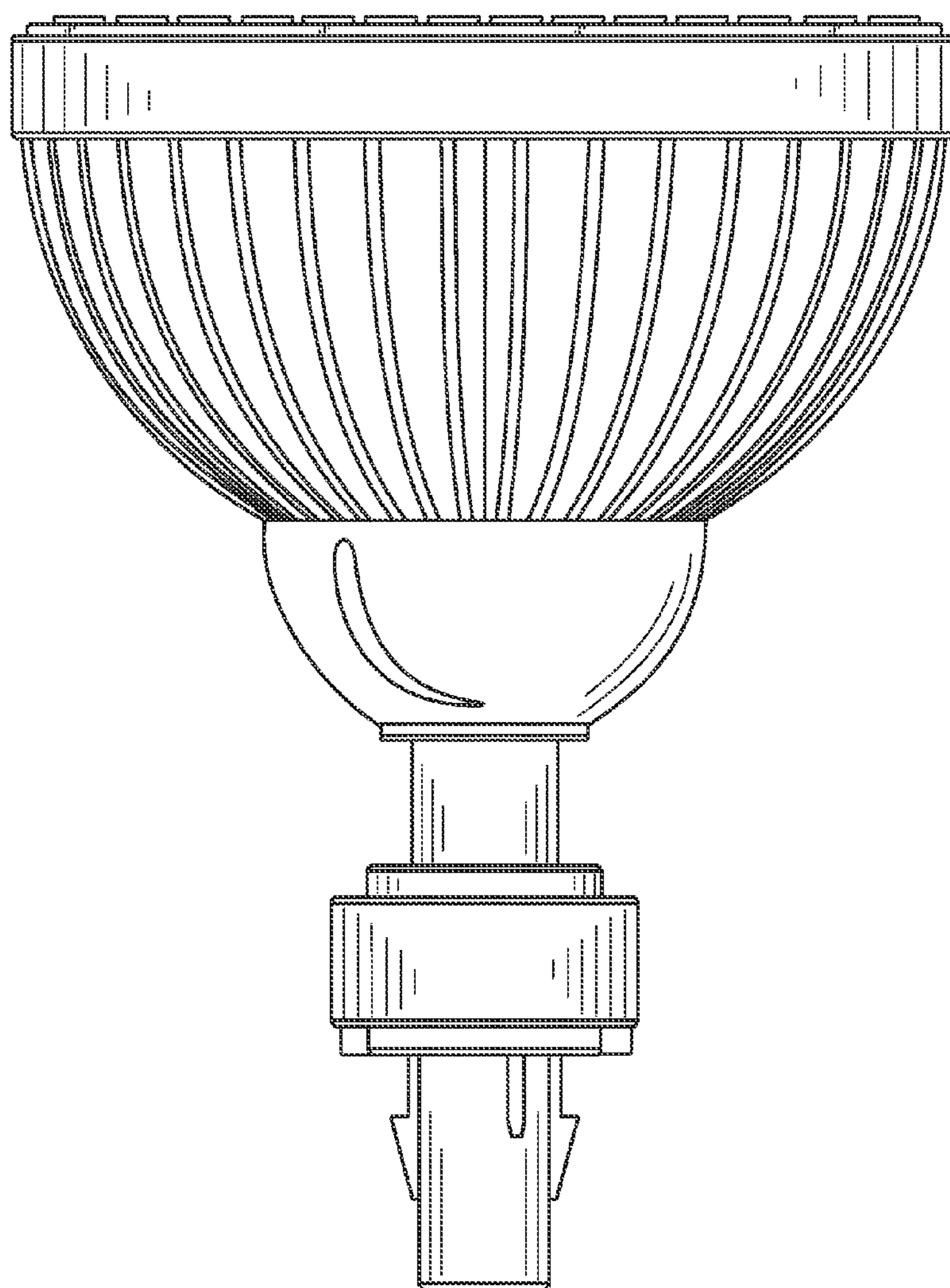


FIG. 3

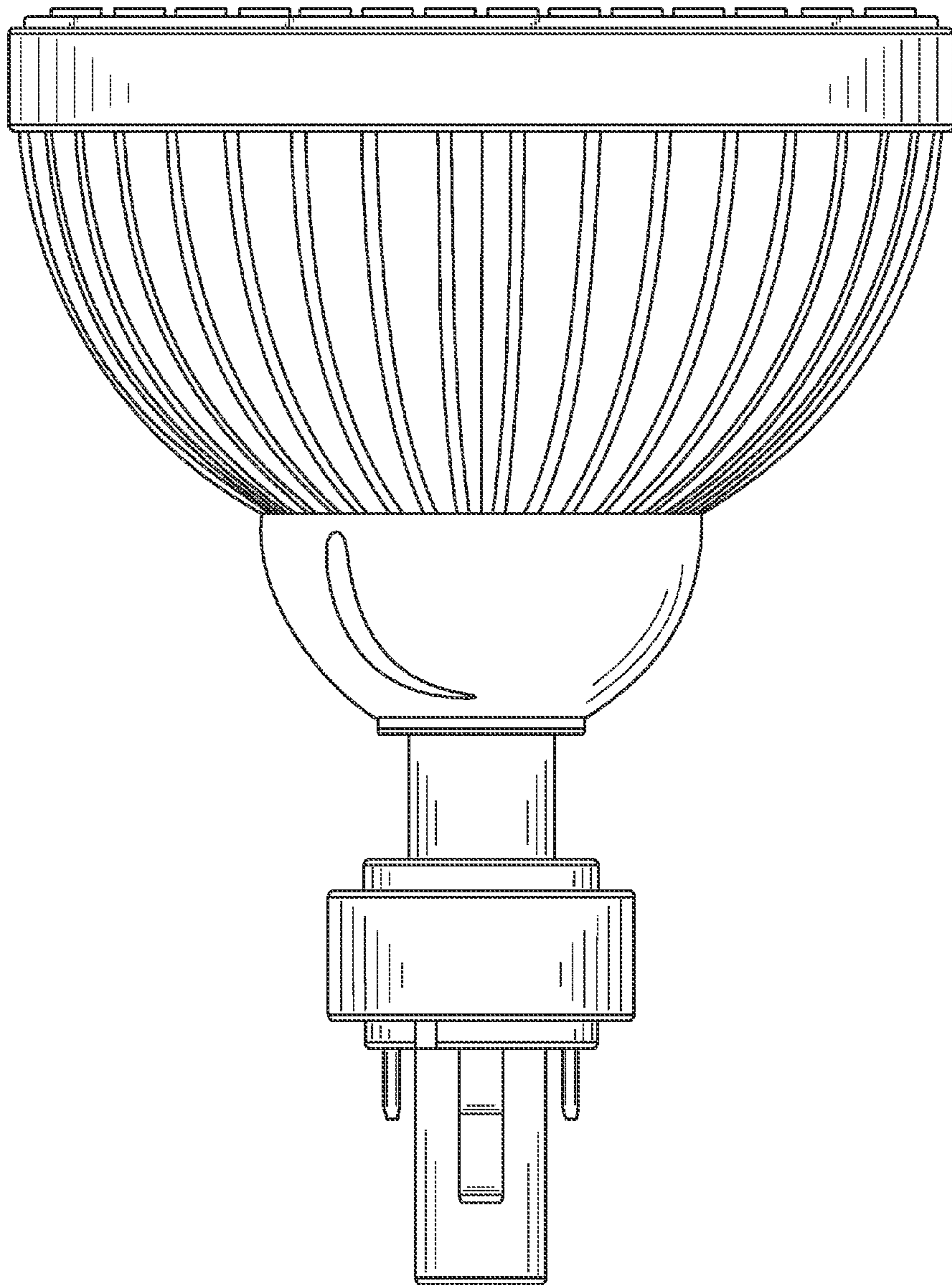


FIG. 4

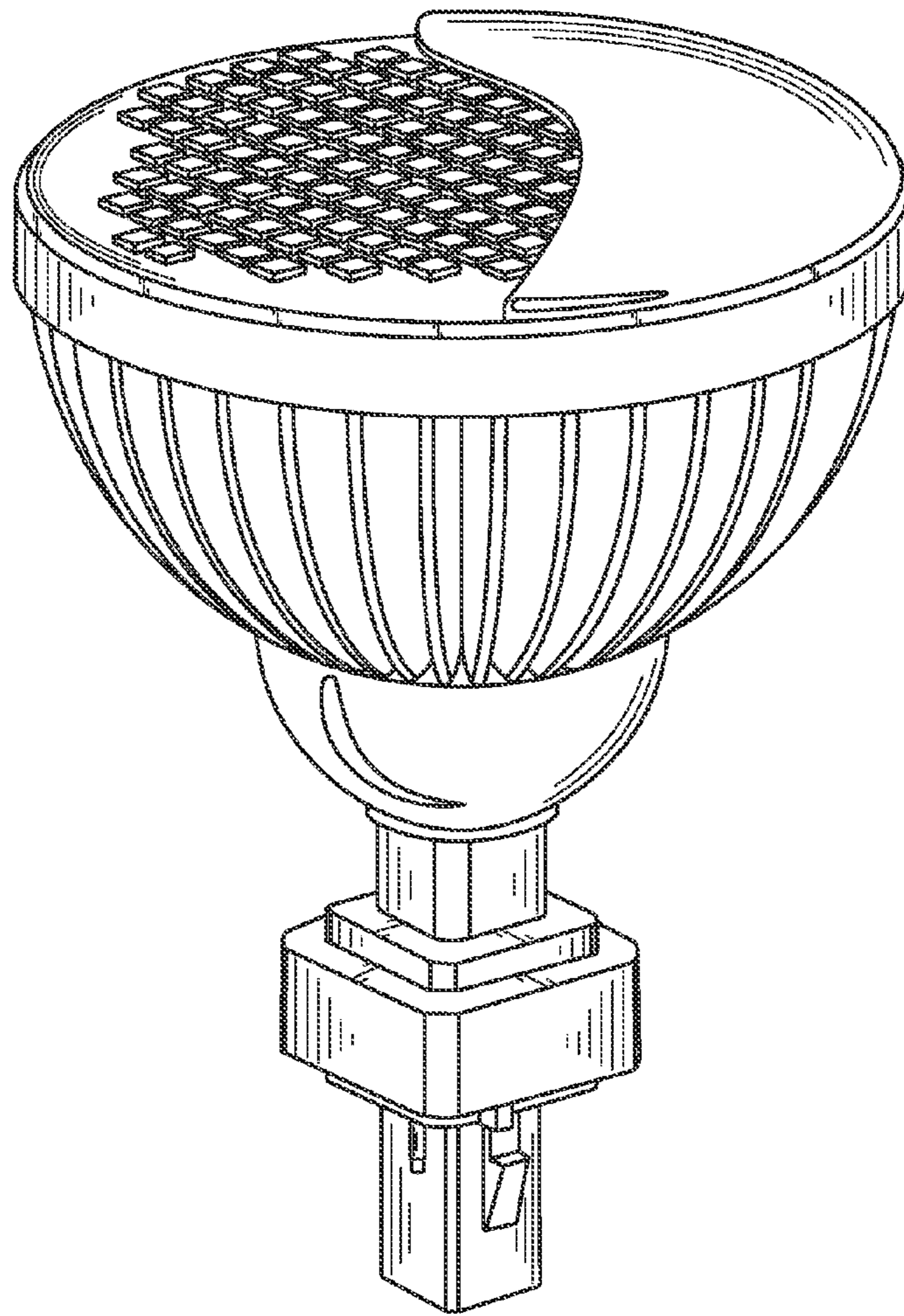


FIG. 5



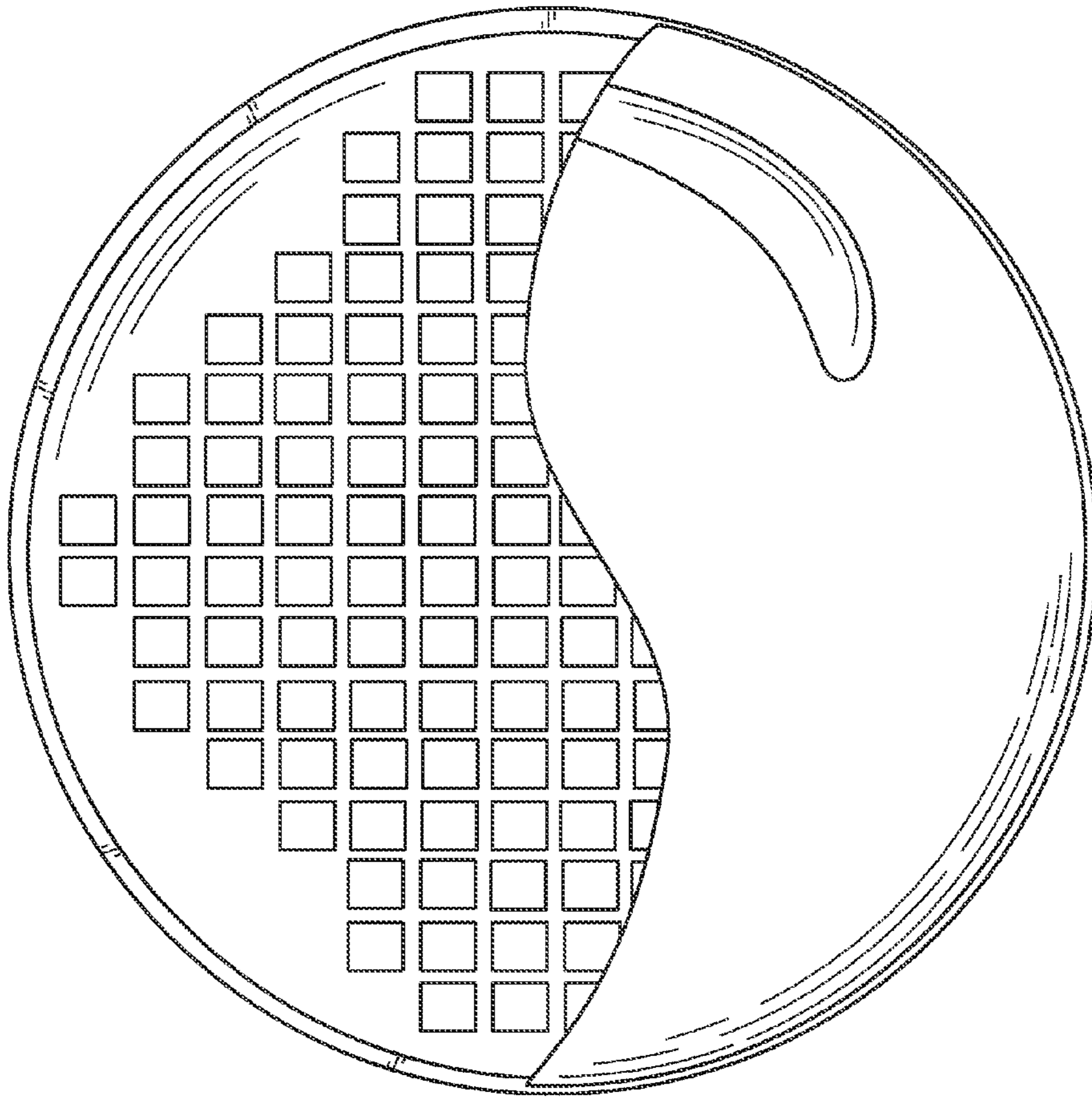


FIG. 6

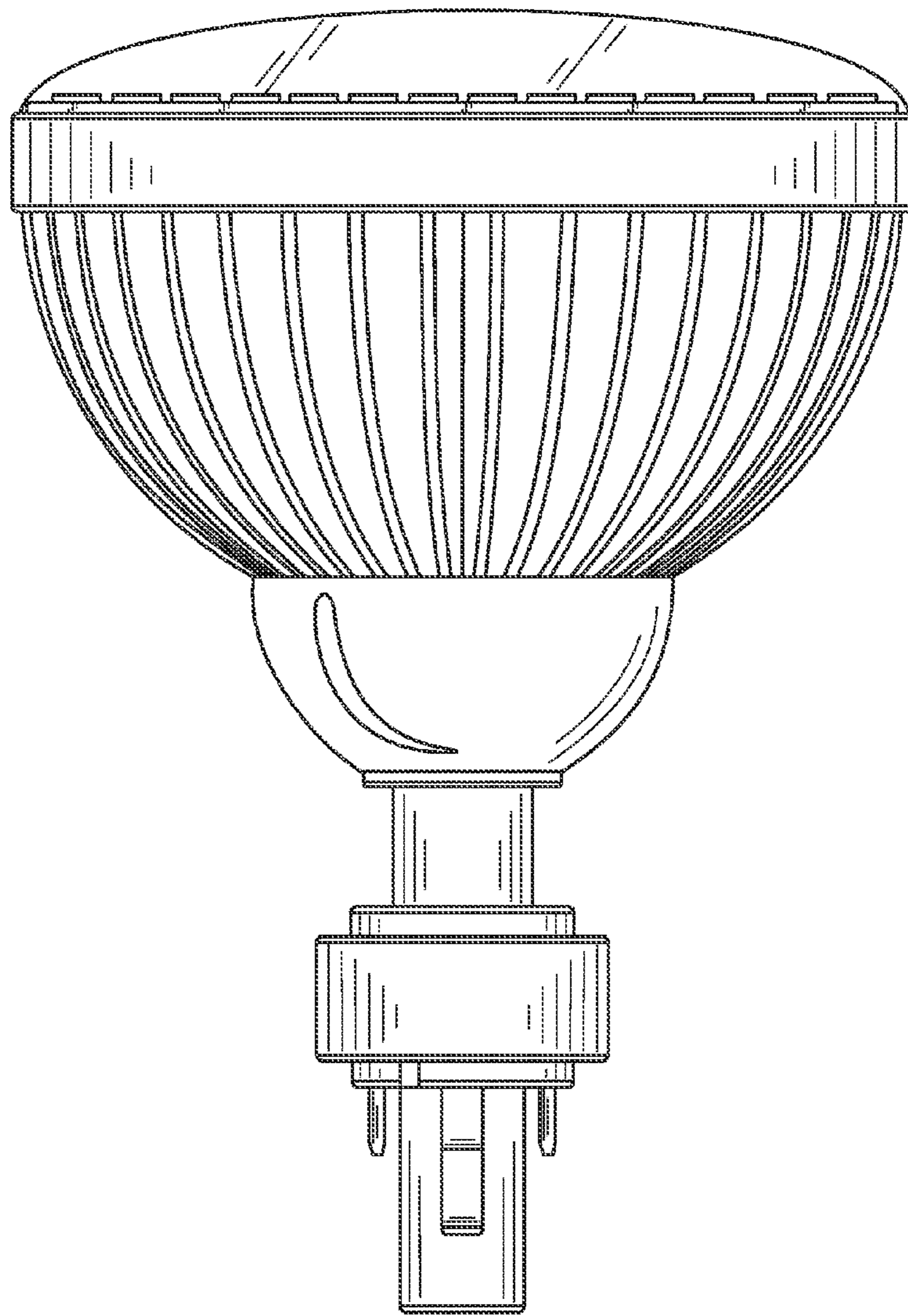


FIG. 7



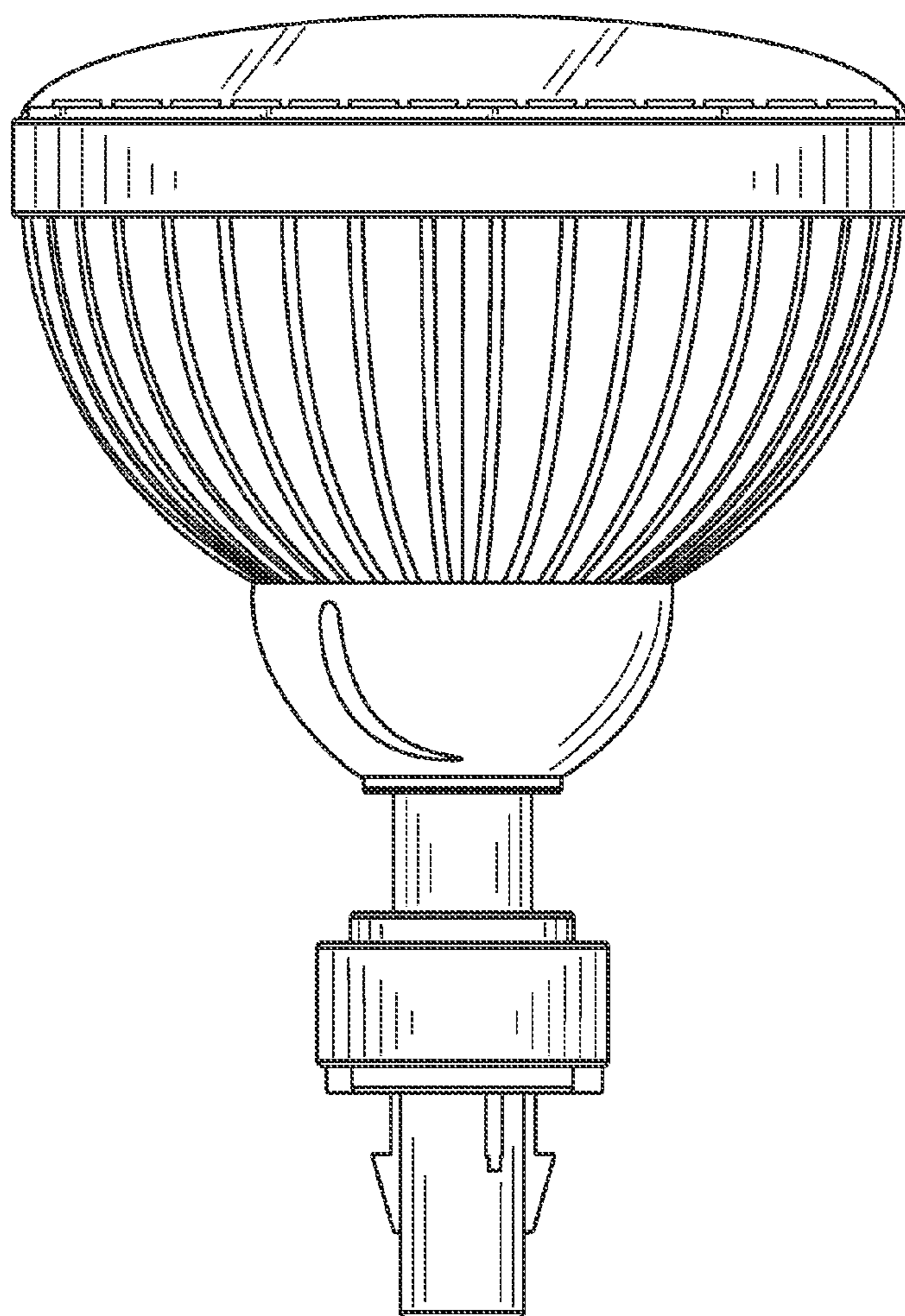


FIG. 8