



US00D687577S

(12) **United States Design Patent**  
**James**

(10) **Patent No.:** **US D687,577 S**

(45) **Date of Patent:** **\*\* \*Aug. 6, 2013**

(54) **LED LIGHT ASSEMBLY**

(76) Inventor: **Benjamin James**, Alameda, CA (US)

(\*) Notice: This patent is subject to a terminal disclaimer.

(\*\*) Term: **14 Years**

(21) Appl. No.: **29/394,797**

(22) Filed: **Jun. 21, 2011**

(51) **LOC (9) Cl.** ..... **26-04**

(52) **U.S. Cl.**  
USPC ..... **D26/2**

(58) **Field of Classification Search**  
USPC ..... D26/1-4; 313/313, 315, 316, 317,  
313/318, 493; 315/52, 53, 56, 57, 58

See application file for complete search history.

(56) **References Cited**

U.S. PATENT DOCUMENTS

D653,362 S \* 1/2012 Espiau et al. .... D26/2

\* cited by examiner

*Primary Examiner* — Marcus Jackson

(74) *Attorney, Agent, or Firm* — Dean E. Wolf

(57) **CLAIM**

I claim the ornamental design for an LED light assembly, as shown and described.

**DESCRIPTION**

FIG. 1 is a perspective view of an LED light assembly showing our new design;

FIG. 2 is a right side elevational view thereof;

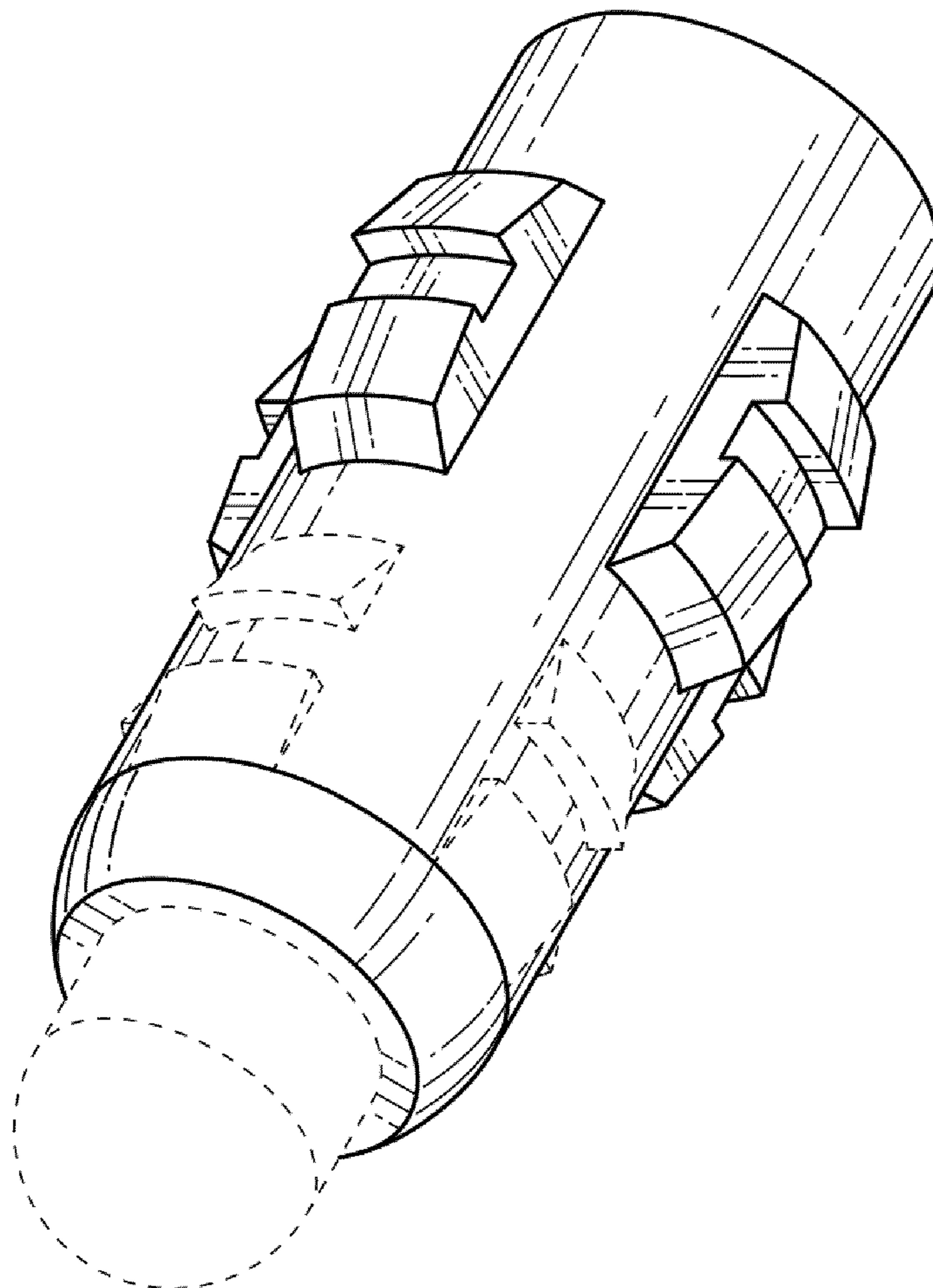
FIG. 3 is a left side elevational view thereof;

FIG. 4 is a top plan view thereof; and,

FIG. 5 is a bottom plan view thereof.

The broken lines showing the remaining portions of an LED light assembly are for illustrative purposes only and form no part of the claimed design.

**1 Claim, 2 Drawing Sheets**



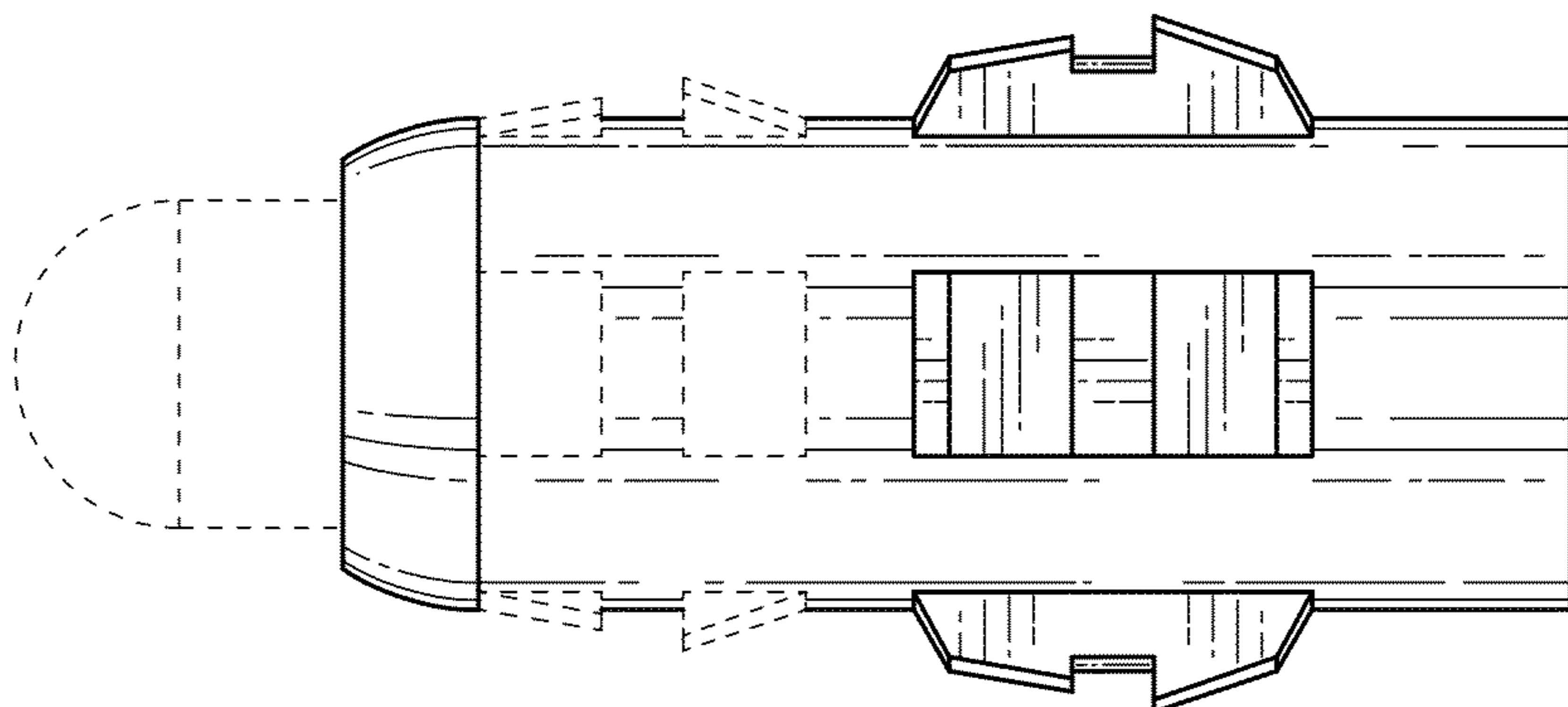


FIG. 3

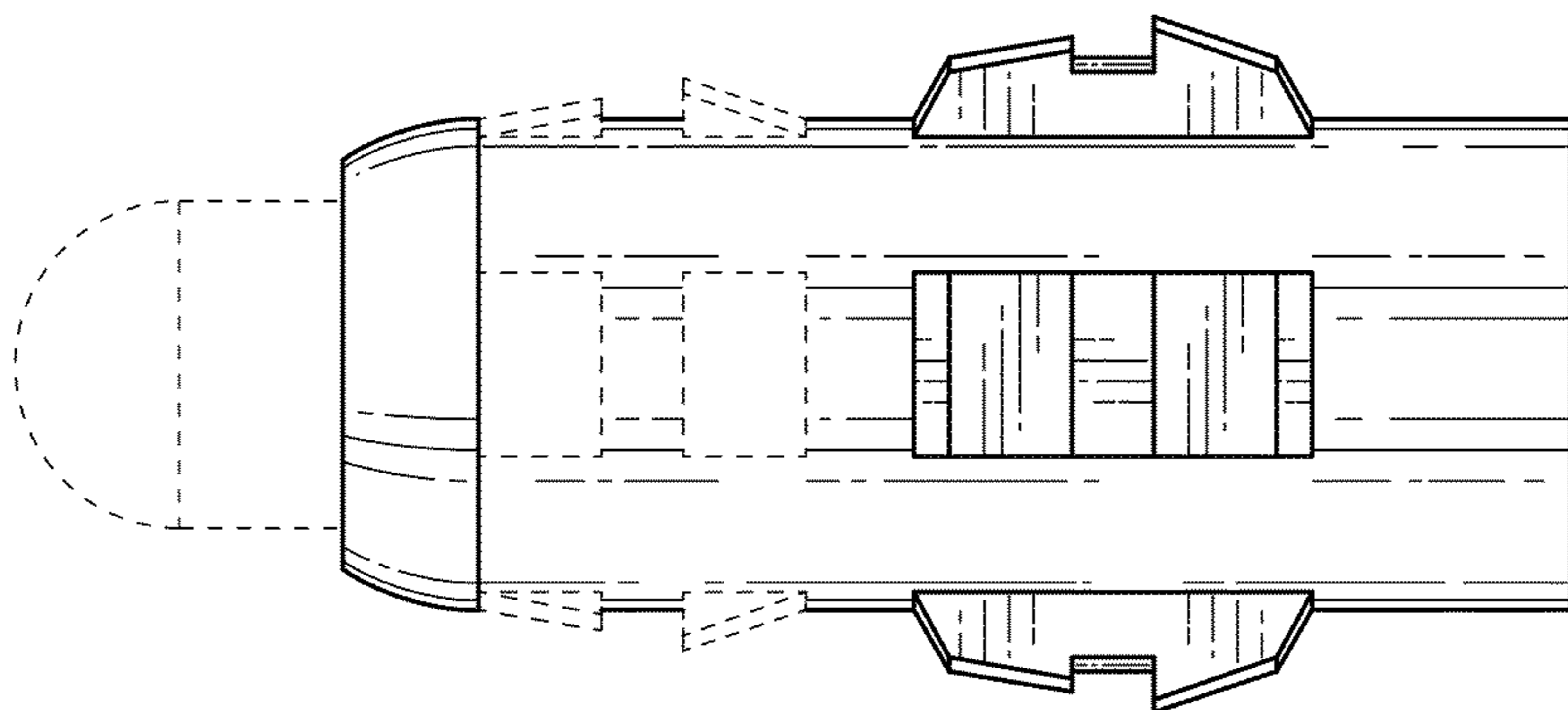


FIG. 2

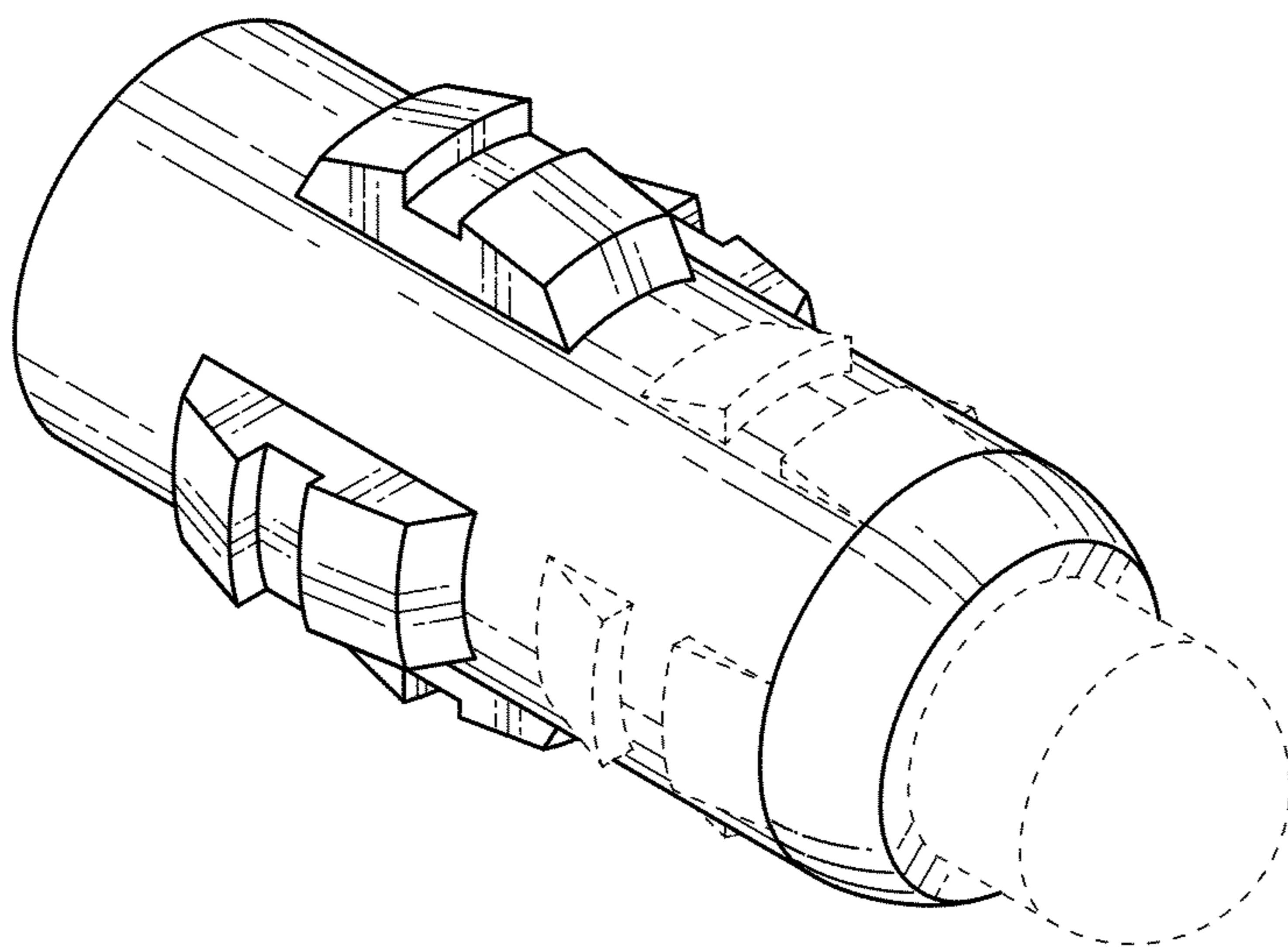


FIG. 1

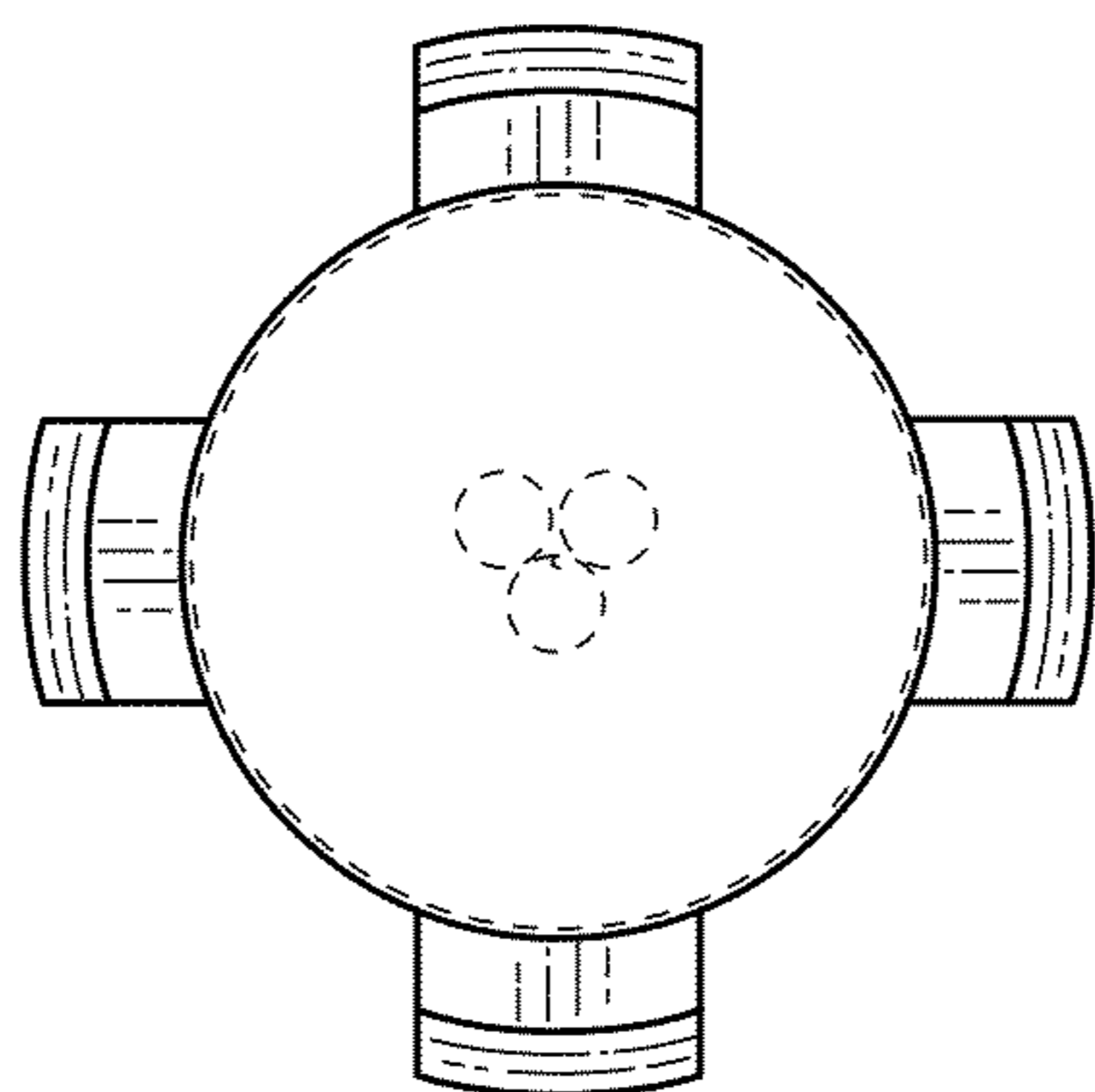


FIG. 5

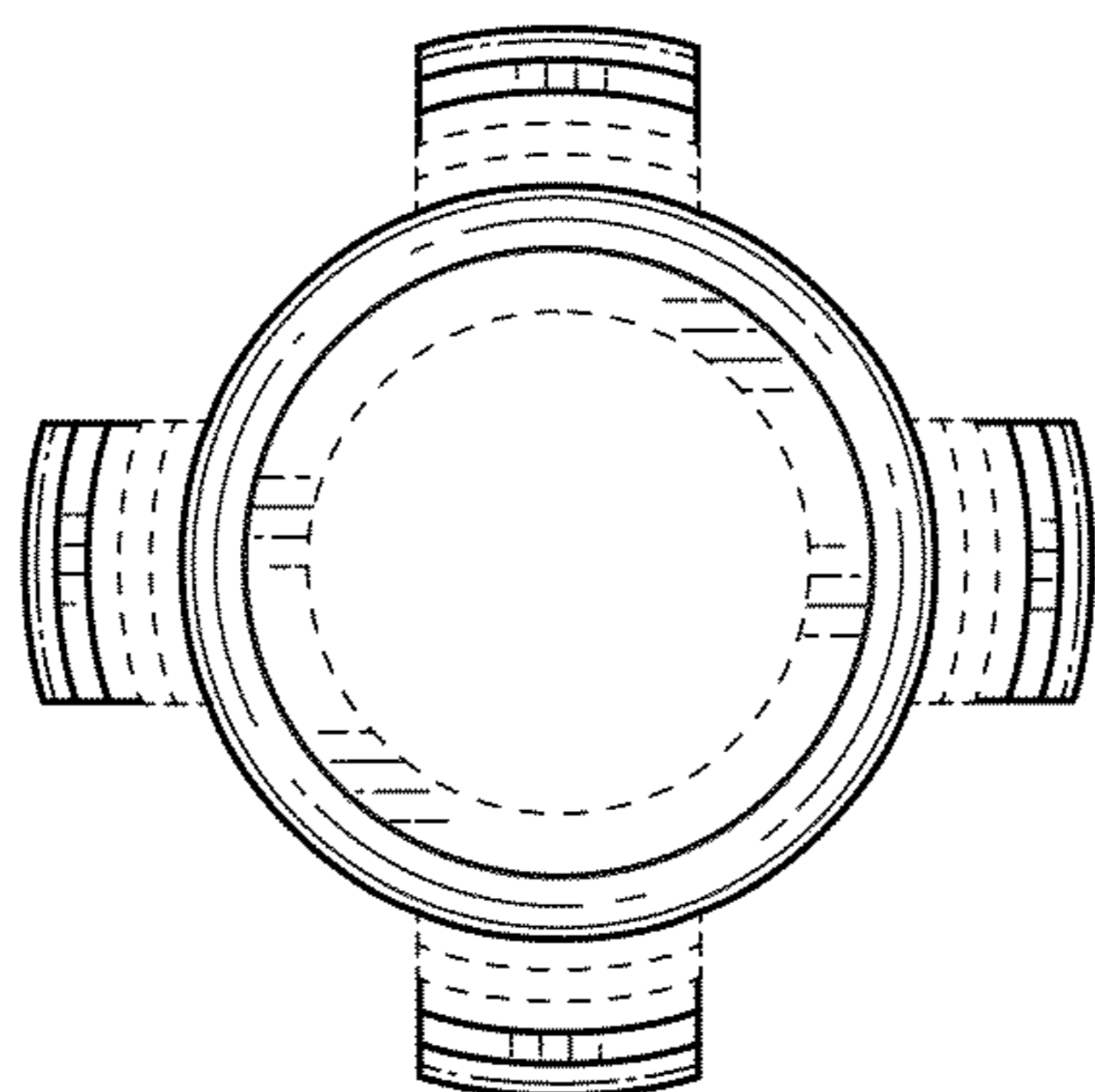


FIG. 4