



US00D687572S

(12) **United States Design Patent**
Thibodeau et al.

(10) **Patent No.:** **US D687,572 S**

(45) **Date of Patent:** **** Aug. 6, 2013**

(54) **WALL AND CEILING PANEL**

(75) Inventors: **Denis Thibodeau**, Saint-Etienne (CA);
Pierre Vezina, Saint-Nicolas (CA);
Simon Le Blanc, Saint-Georges (CA)

(73) Assignee: **9192-5222 Quebec Inc.**, Frampton
(Quebec) (CA)

(**) Term: **14 Years**

(21) Appl. No.: **29/415,997**

(22) Filed: **Mar. 16, 2012**

(51) **LOC (9) Cl.** **25-01**

(52) **U.S. Cl.**
USPC **D25/138**

(58) **Field of Classification Search**
USPC D25/138; 52/314, 316, 311.2, 386,
52/392, 506.1, 596, 506.01, 506.06, 612,
52/608

See application file for complete search history.

(56) **References Cited**

U.S. PATENT DOCUMENTS

1,828,193	A	10/1931	Levin	
2,039,536	A	5/1936	Johnson	
2,122,577	A	7/1938	Mattes et al.	
2,209,283	A *	7/1940	Ronzone	52/314
3,385,743	A *	5/1968	Backberg	428/191
4,047,344	A	9/1977	Postman et al.	
4,061,809	A	12/1977	Mautner	
4,090,338	A *	5/1978	Bourgade	52/392
4,644,719	A	2/1987	Salazar	
5,755,068	A	5/1998	Ormiston	
6,021,615	A	2/2000	Brown	
6,119,423	A	9/2000	Costantino	
6,449,913	B1	9/2002	Shelton	
D598,577	S *	8/2009	Li	D25/138
2003/0121225	A1 *	7/2003	Hunsaker	52/314

FOREIGN PATENT DOCUMENTS

WO	9949153	9/1999
WO	2011032292	3/2011

* cited by examiner

Primary Examiner — Doris Clark

(74) *Attorney, Agent, or Firm* — Price Heneveld LLP

(57) **CLAIM**

The ornamental design for a wall and ceiling panel, as shown and described.

DESCRIPTION

FIG. 1 is a front perspective view of the wall and ceiling panel in accordance with a first embodiment and showing our new design;

FIG. 2 is a front elevation view of the wall and ceiling panel shown in FIG. 1;

FIG. 3 is a rear elevation view of the wall and ceiling panel shown in FIG. 1;

FIG. 4 is a bottom plan view of the wall and ceiling panel shown in FIG. 1;

FIG. 5 is a top plan view of the wall and ceiling panel shown in FIG. 1.

FIG. 6 is a left side view of the wall and ceiling panel shown in FIG. 1;

FIG. 7 is a right side view of the wall and ceiling panel shown in FIG. 1;

FIG. 8 is a front perspective view of the wall and ceiling panel in accordance with a second embodiment;

FIG. 9 is a front elevation view of the wall and ceiling panel shown in FIG. 8;

FIG. 10 is a rear elevation view of the wall and ceiling panel shown in FIG. 8;

FIG. 11 is a bottom plan view of the wall and ceiling panel shown in FIG. 8;

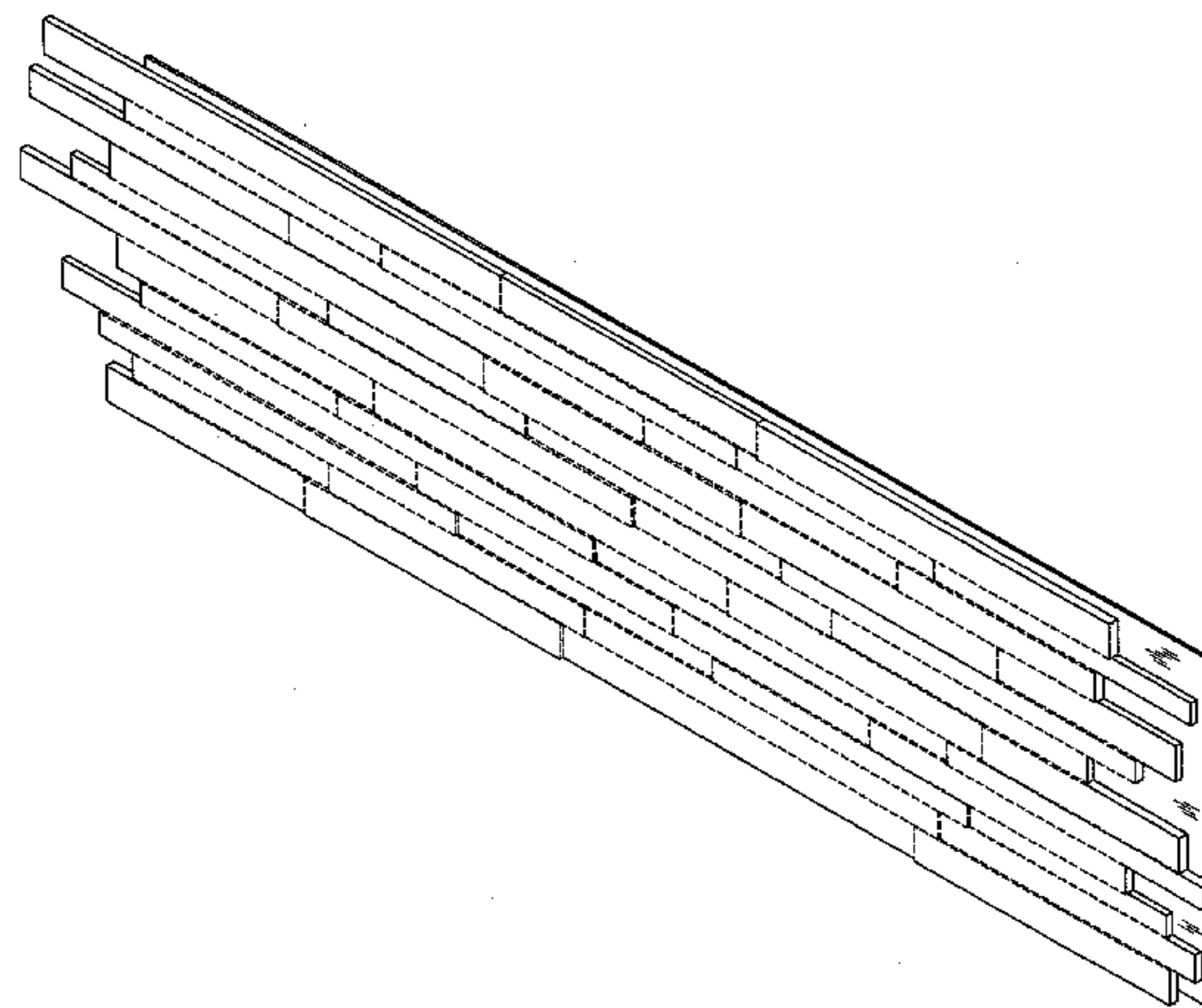
FIG. 12 is a top plan view of the wall and ceiling panel shown in FIG. 8.

FIG. 13 is a left side view of the wall and ceiling panel shown in FIG. 8; and,

FIG. 14 is a right side view of the wall and ceiling panel shown in FIG. 8.

The portions of the wall and ceiling panel shown in broken lines form no part of the claimed design.

1 Claim, 10 Drawing Sheets



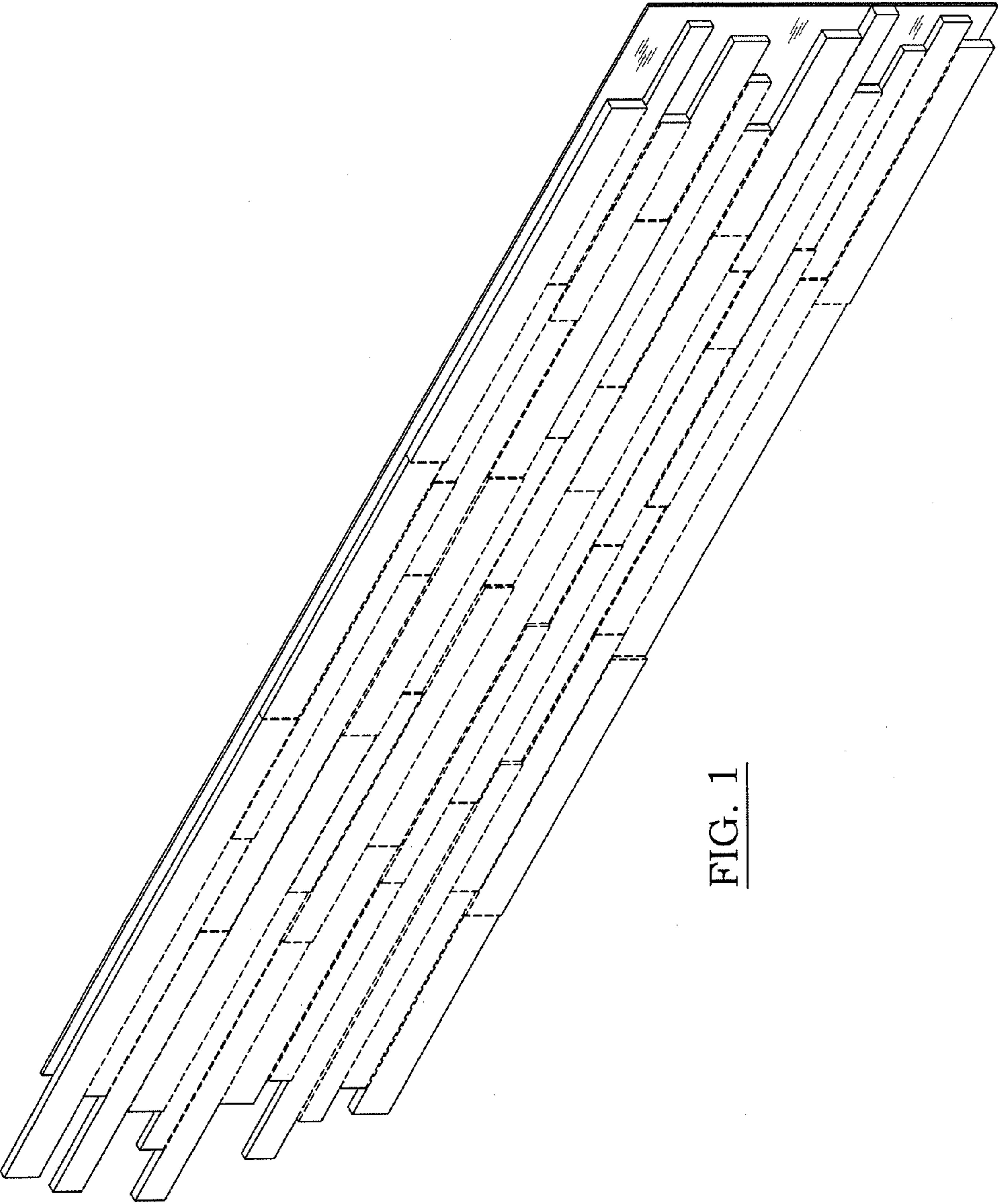


FIG. 1

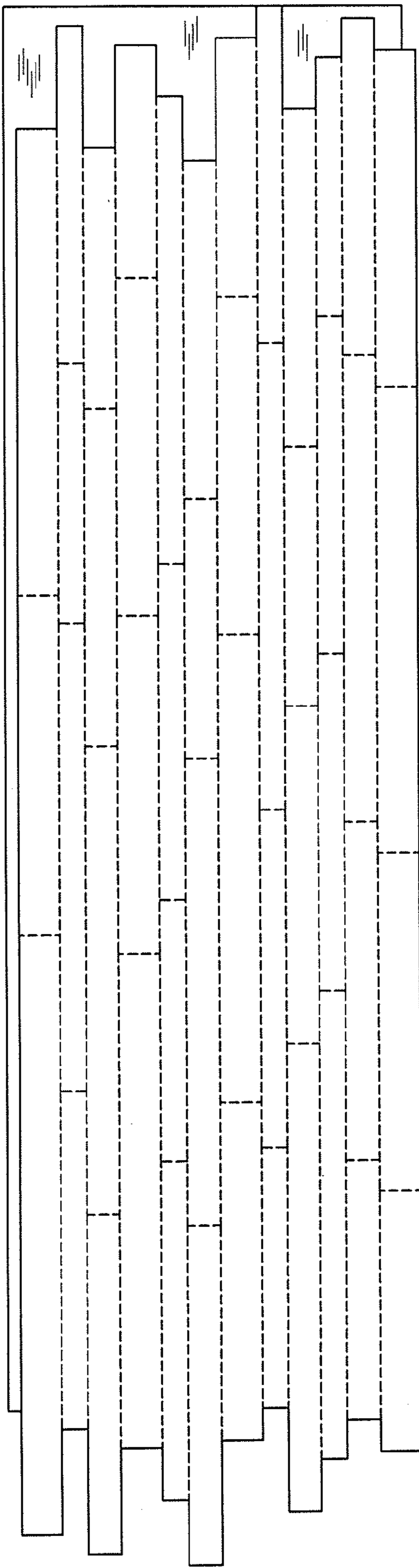


FIG. 2

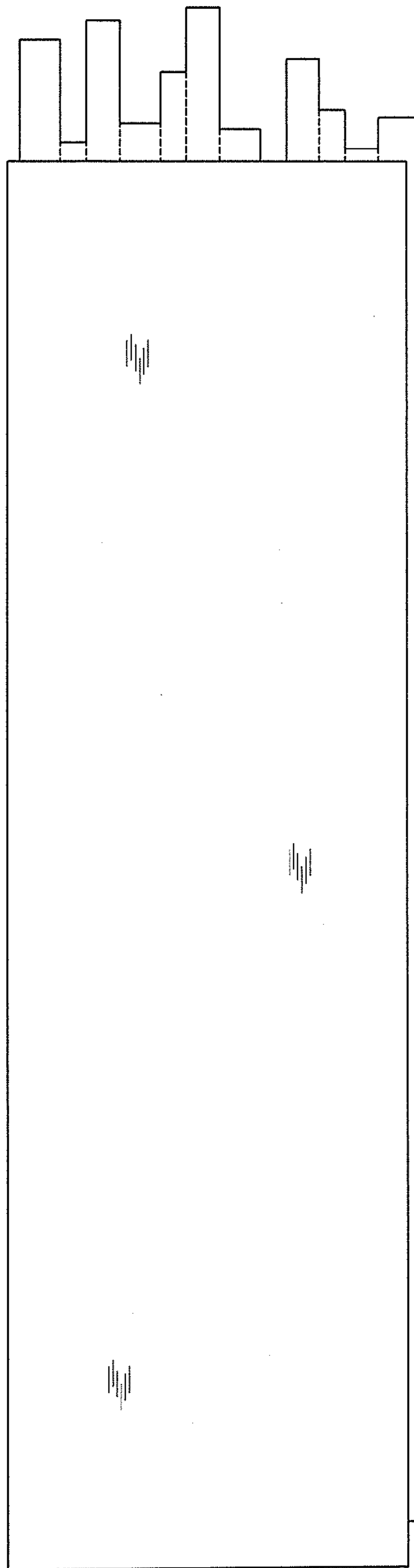


FIG. 3



FIG. 4



FIG. 5

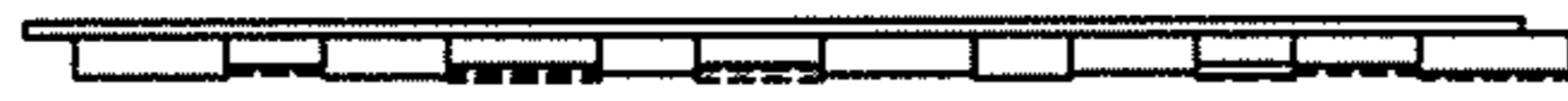


FIG. 7



FIG. 6

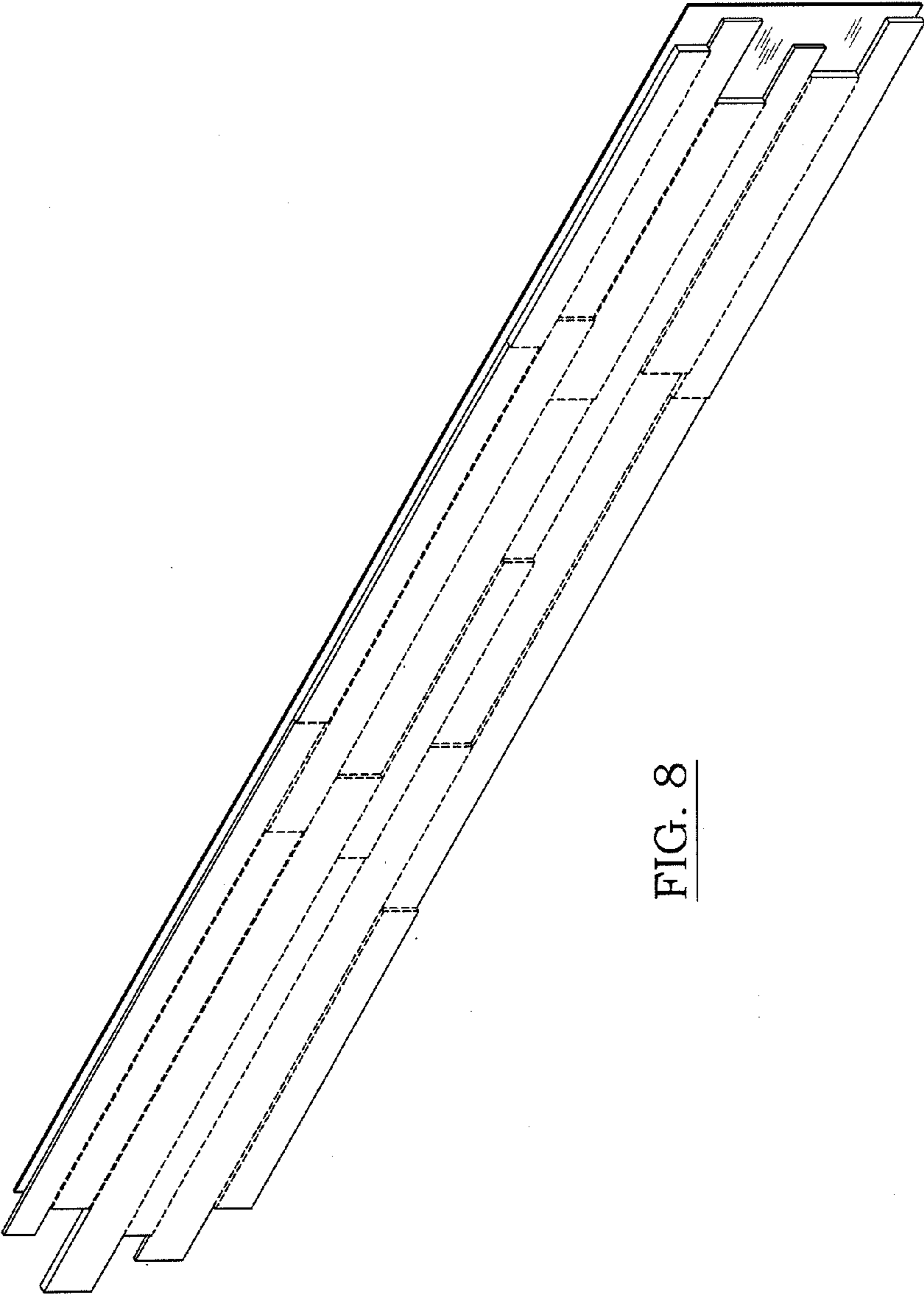


FIG. 8

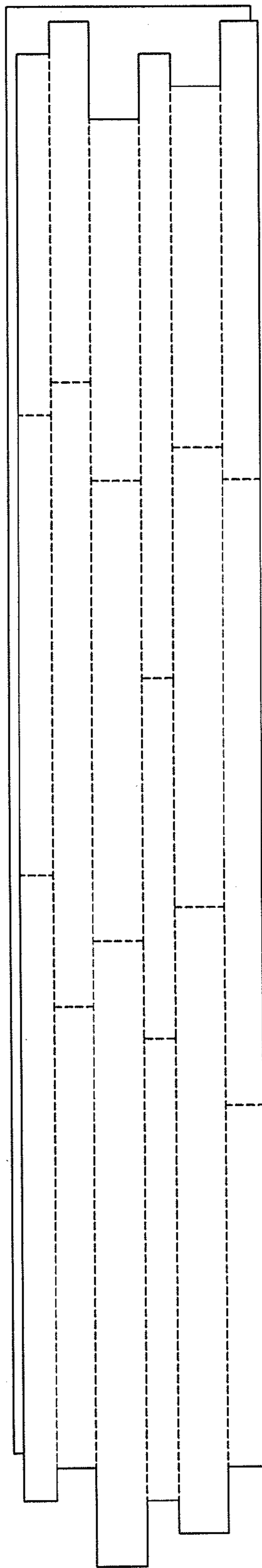


FIG. 9

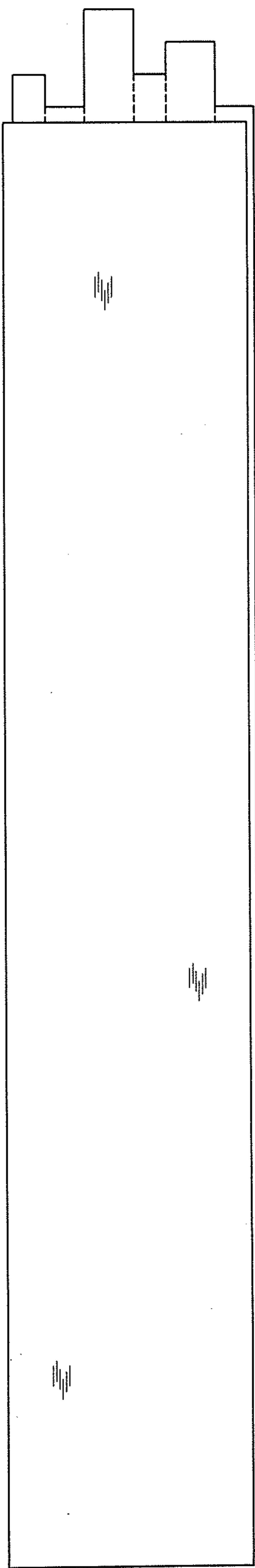


FIG. 10



FIG. 11



FIG. 12



FIG. 14



FIG. 13