



US00D687569S

(12) **United States Design Patent**  
**Ishida et al.**

(10) **Patent No.:** **US D687,569 S**  
(45) **Date of Patent:** **\*\* Aug. 6, 2013**

(54) **WIND CONTROL COVER FOR ELEVATOR**

(75) Inventors: **Takashi Ishida**, Inazawa (JP); **Toshiya Suzuki**, Chiyoda-ku (JP); **Masaji Iida**, Chiyoda-ku (JP); **Masahiro Kondo**, Inazawa (JP)

(73) Assignee: **Mitsubishi Electric Corporation**, Tokyo (JP)

(\*\*) Term: **14 Years**

(21) Appl. No.: **29/428,149**

(22) Filed: **Jul. 26, 2012**

(30) **Foreign Application Priority Data**

Jan. 27, 2012 (JP) ..... 2012-001568

(51) **LOC (9) Cl.** ..... **25-03**

(52) **U.S. Cl.**  
USPC ..... **D25/37**

(58) **Field of Classification Search**  
USPC . D25/1-37; 187/205, 211, 226, 250; 52/79.1, 52/79.4, 79.5  
See application file for complete search history.

(56) **References Cited**

**U.S. PATENT DOCUMENTS**

3,899,043 A \* 8/1975 Hall ..... 181/200  
D252,198 S \* 6/1979 Hesford ..... D34/37

D253,100 S \* 10/1979 Hesford ..... D34/37  
D404,835 S \* 1/1999 Stute ..... D25/56  
D435,116 S \* 12/2000 Stute ..... D25/56  
D471,989 S \* 3/2003 Van Gilst ..... D25/1  
2006/0175136 A1 \* 8/2006 Adifon et al. .... 187/250  
2007/0170001 A1 \* 7/2007 Matsushita et al. .... 187/226

\* cited by examiner

*Primary Examiner* — Eric Goodwin

(74) *Attorney, Agent, or Firm* — Sughrue Mion, PLLC

(57) **CLAIM**

The ornamental design for a wind control cover for elevator, as shown and described.

**DESCRIPTION**

FIG. 1 is a front, top and right side perspective view of a wind control cover for elevator, showing our new design;  
FIG. 2 is a front elevational view thereof;  
FIG. 3 is a rear elevational view thereof;  
FIG. 4 is a left side elevational view thereof;  
FIG. 5 is a right side elevational view thereof;  
FIG. 6 is a top plan view thereof;  
FIG. 7 is a bottom plan view thereof;  
FIG. 8 is a perspective view thereof showing the state in use; and,  
FIG. 9 is a perspective view thereof showing the state in use. The broken line showing is included for the purpose of illustrating environment and forms no part of the claimed design.

**1 Claim, 9 Drawing Sheets**

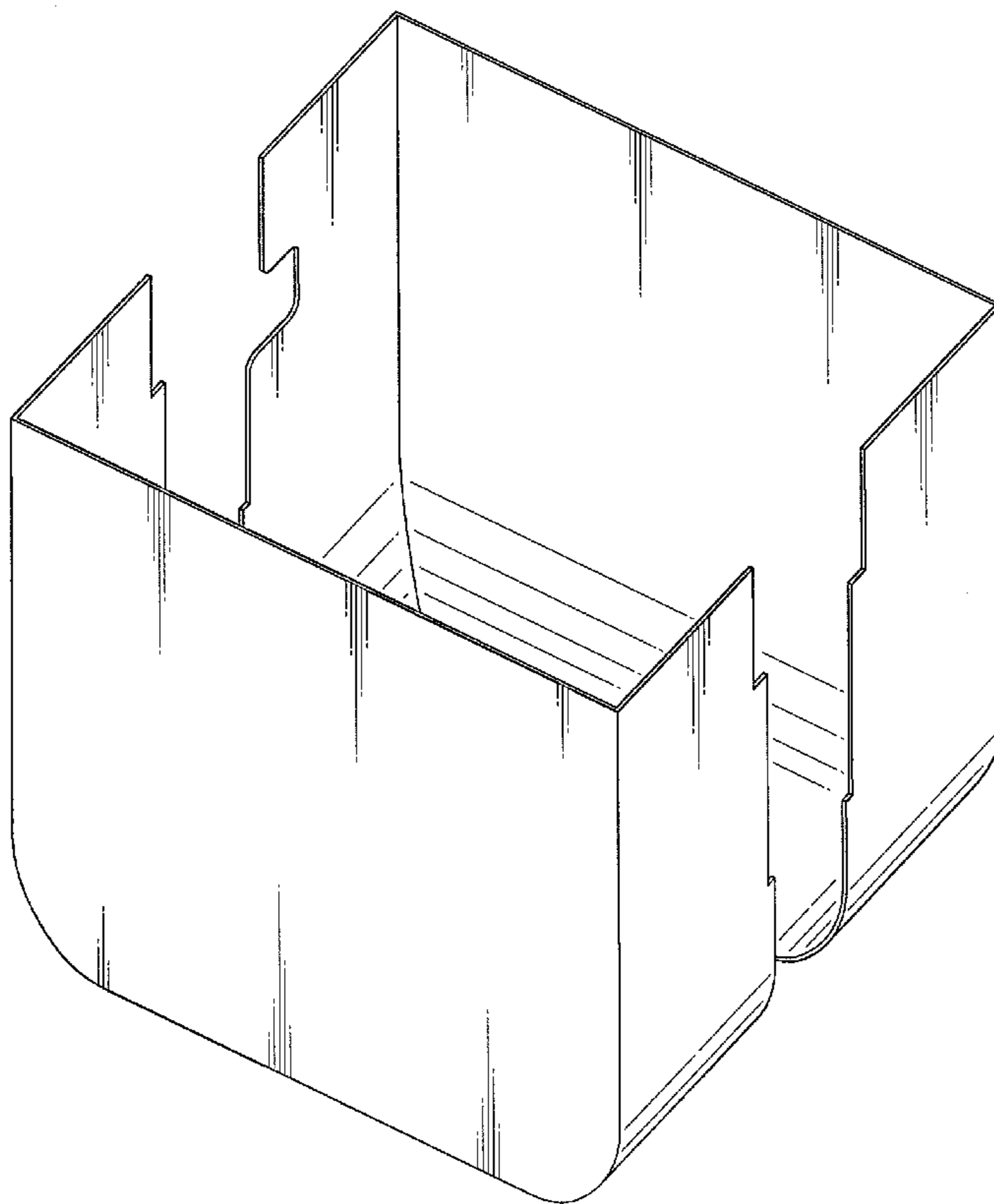


Fig. 1

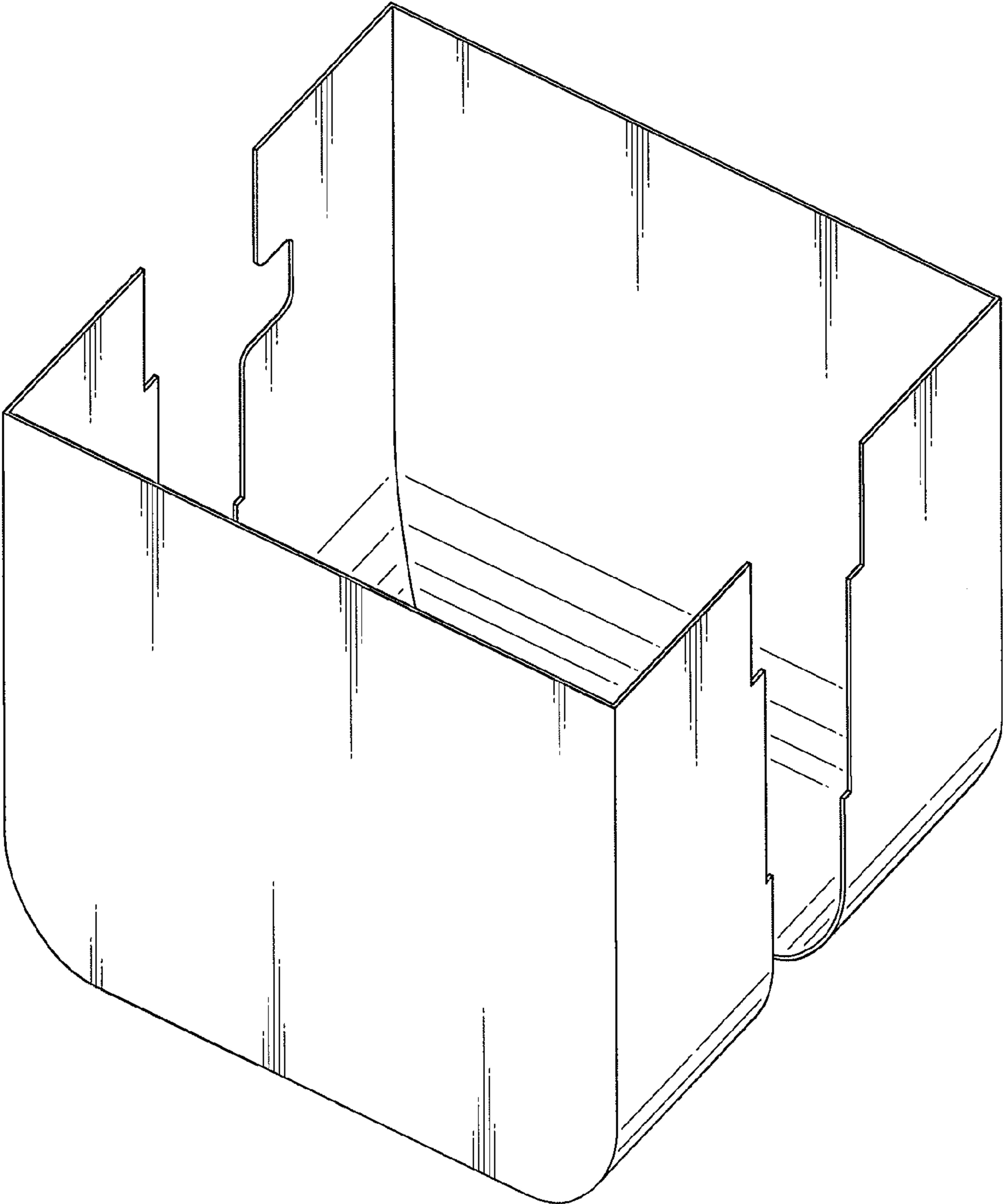


Fig. 2

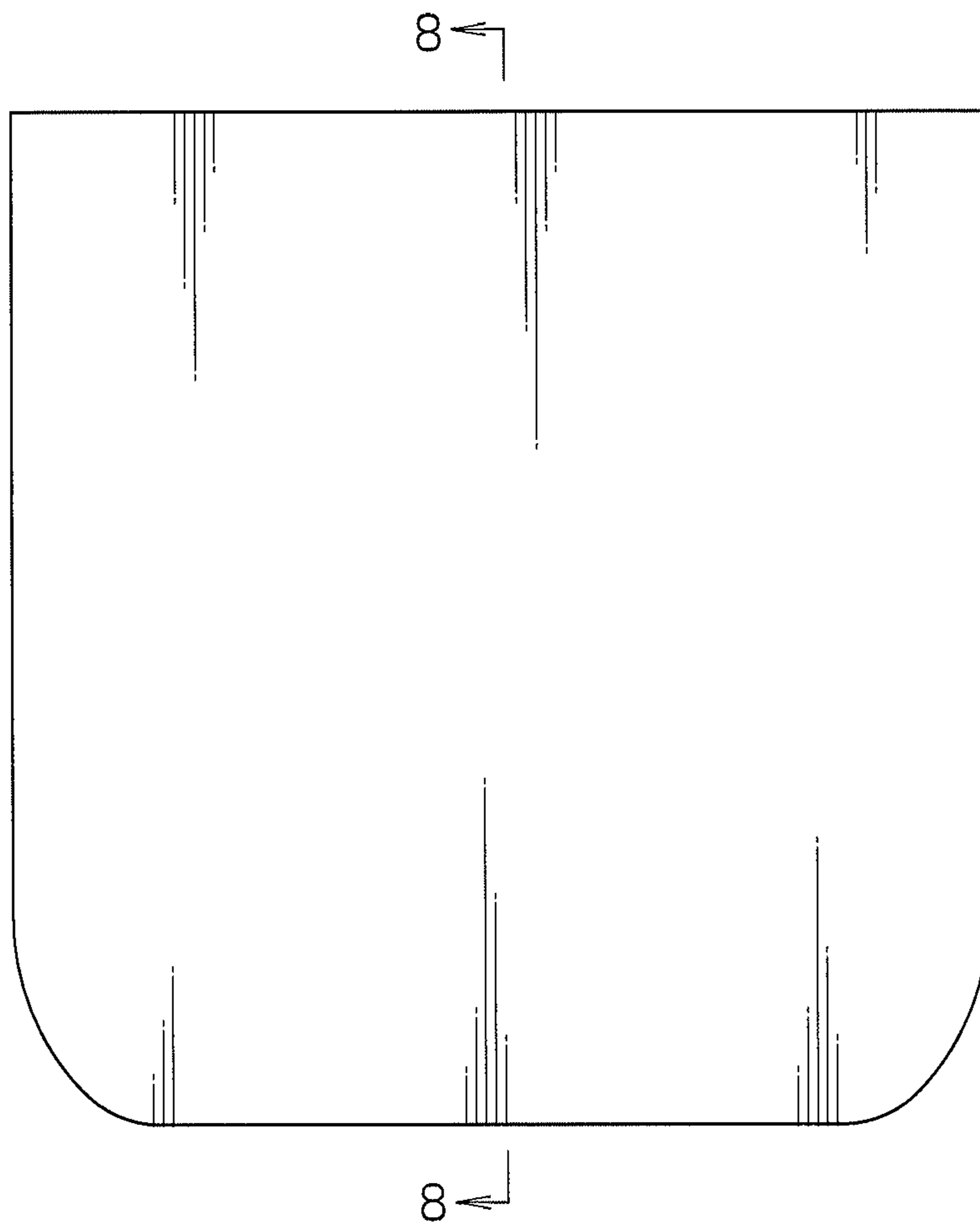


Fig. 3

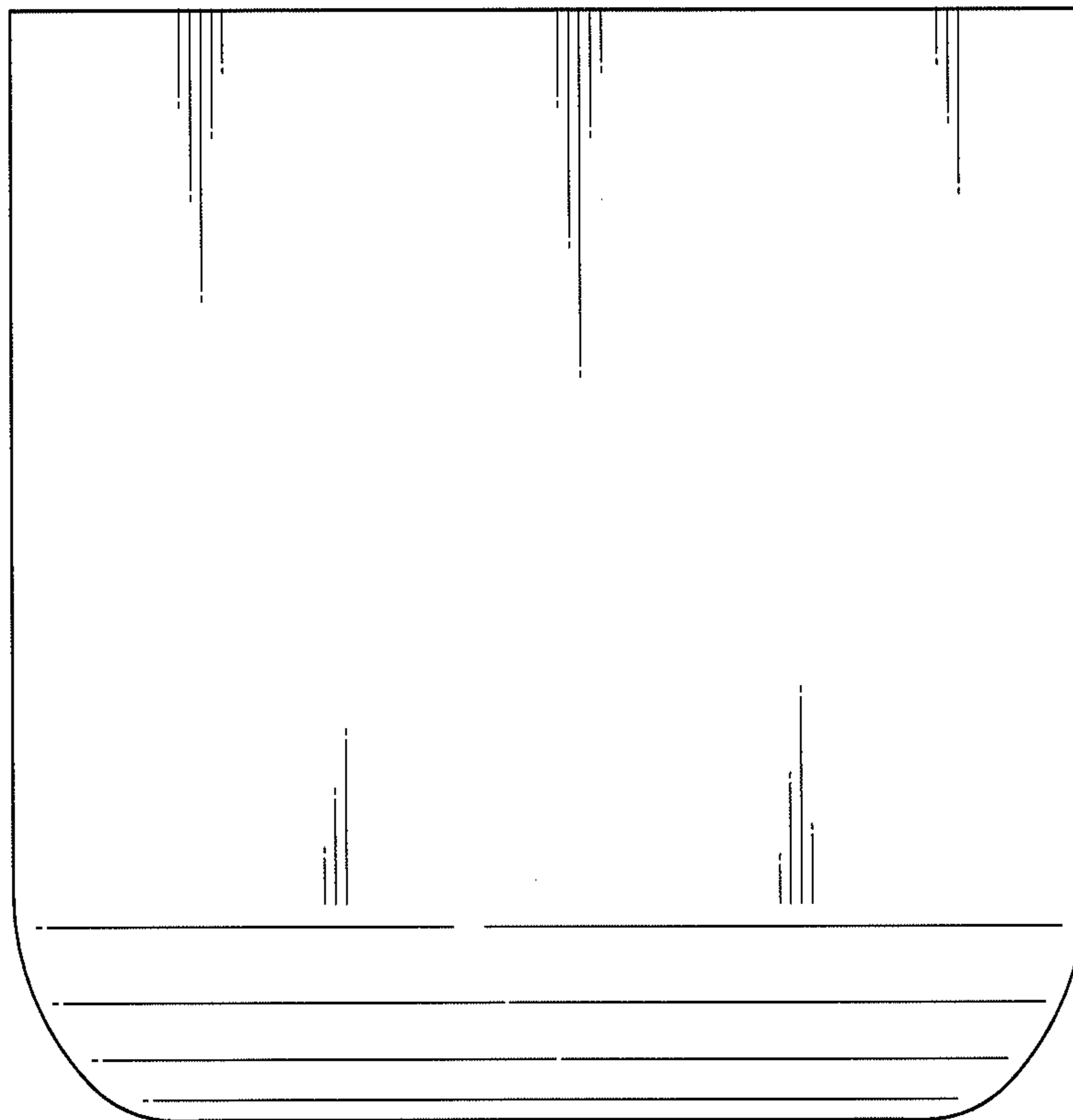


Fig. 4

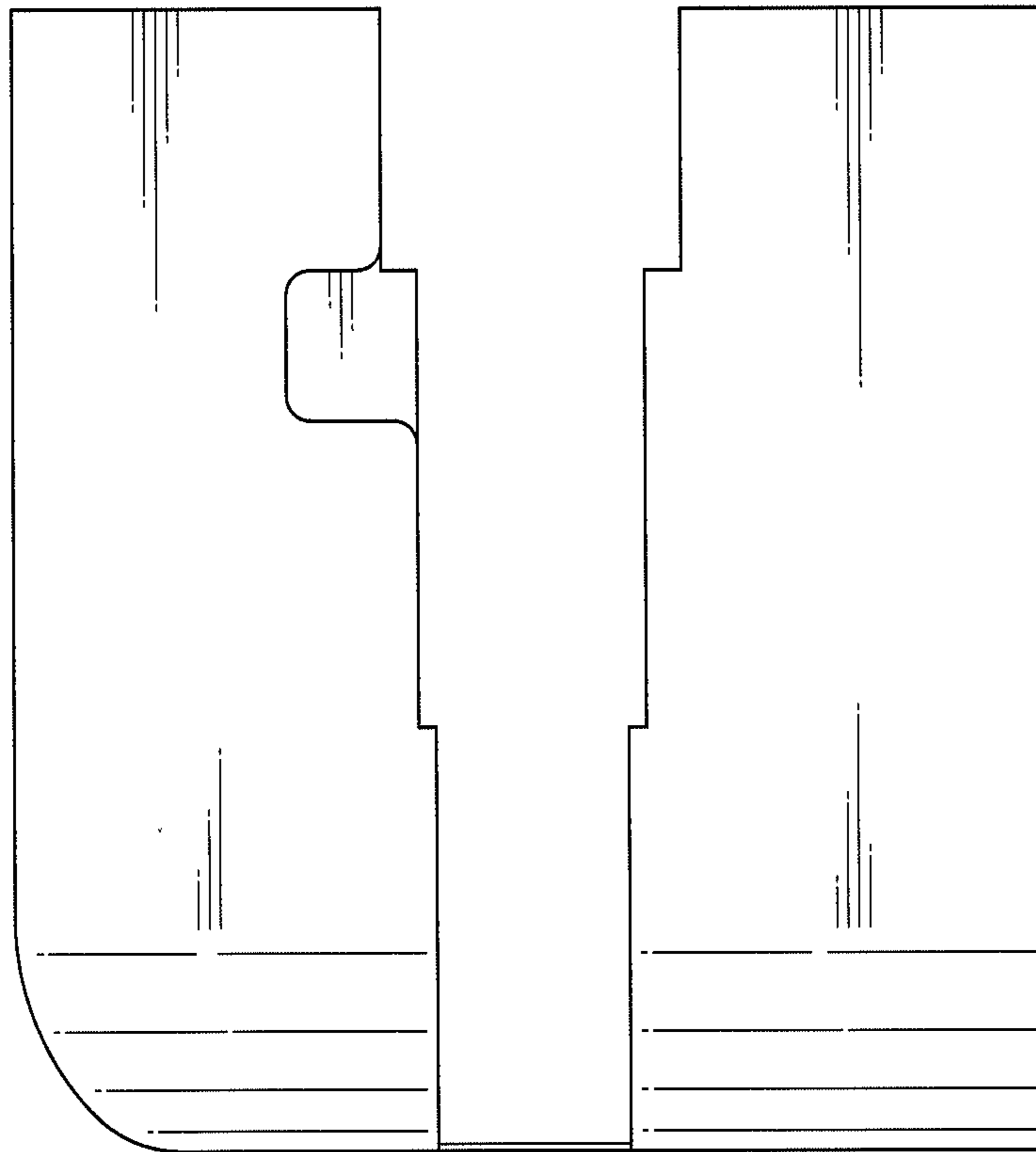


Fig. 5

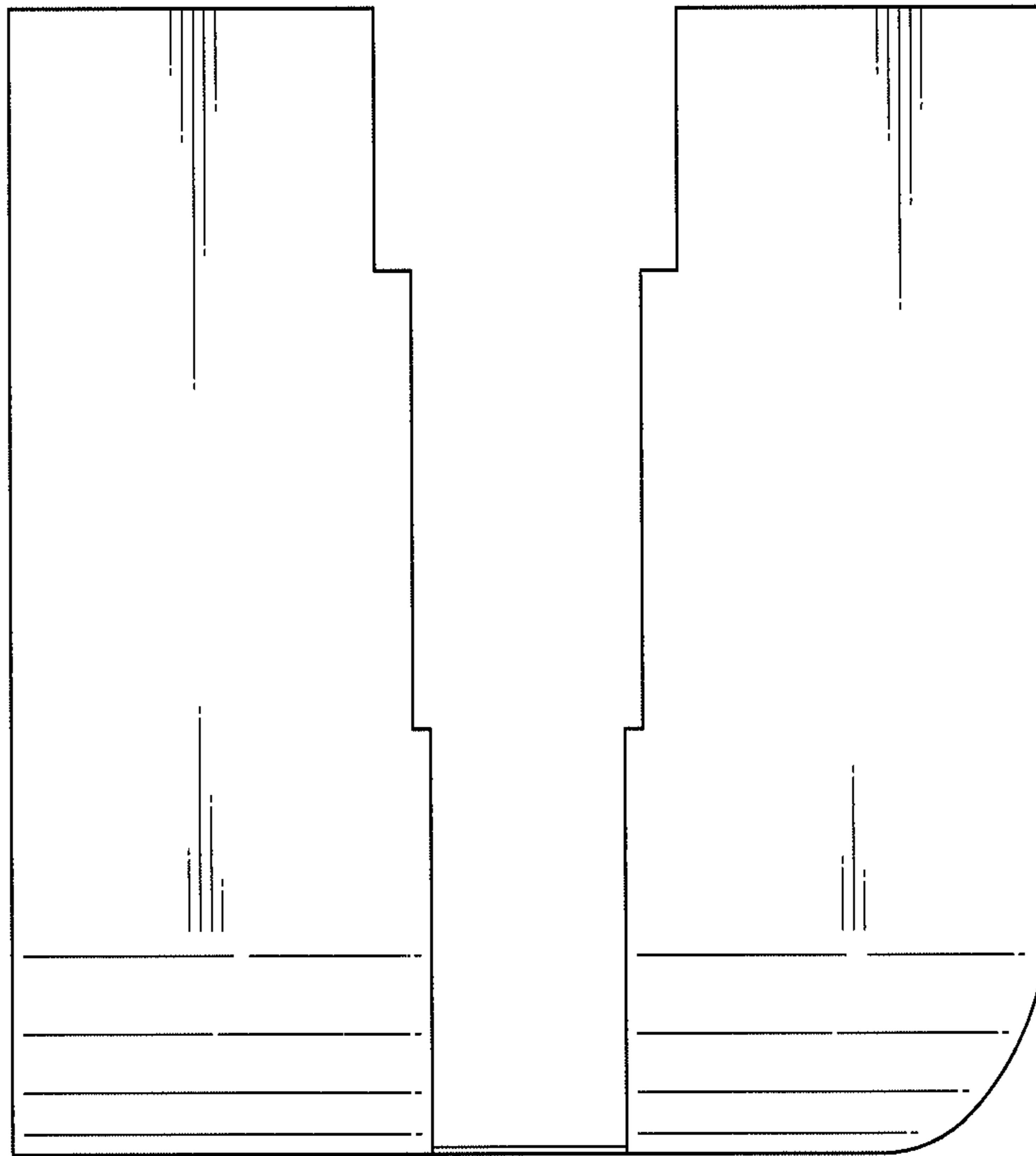


Fig. 6

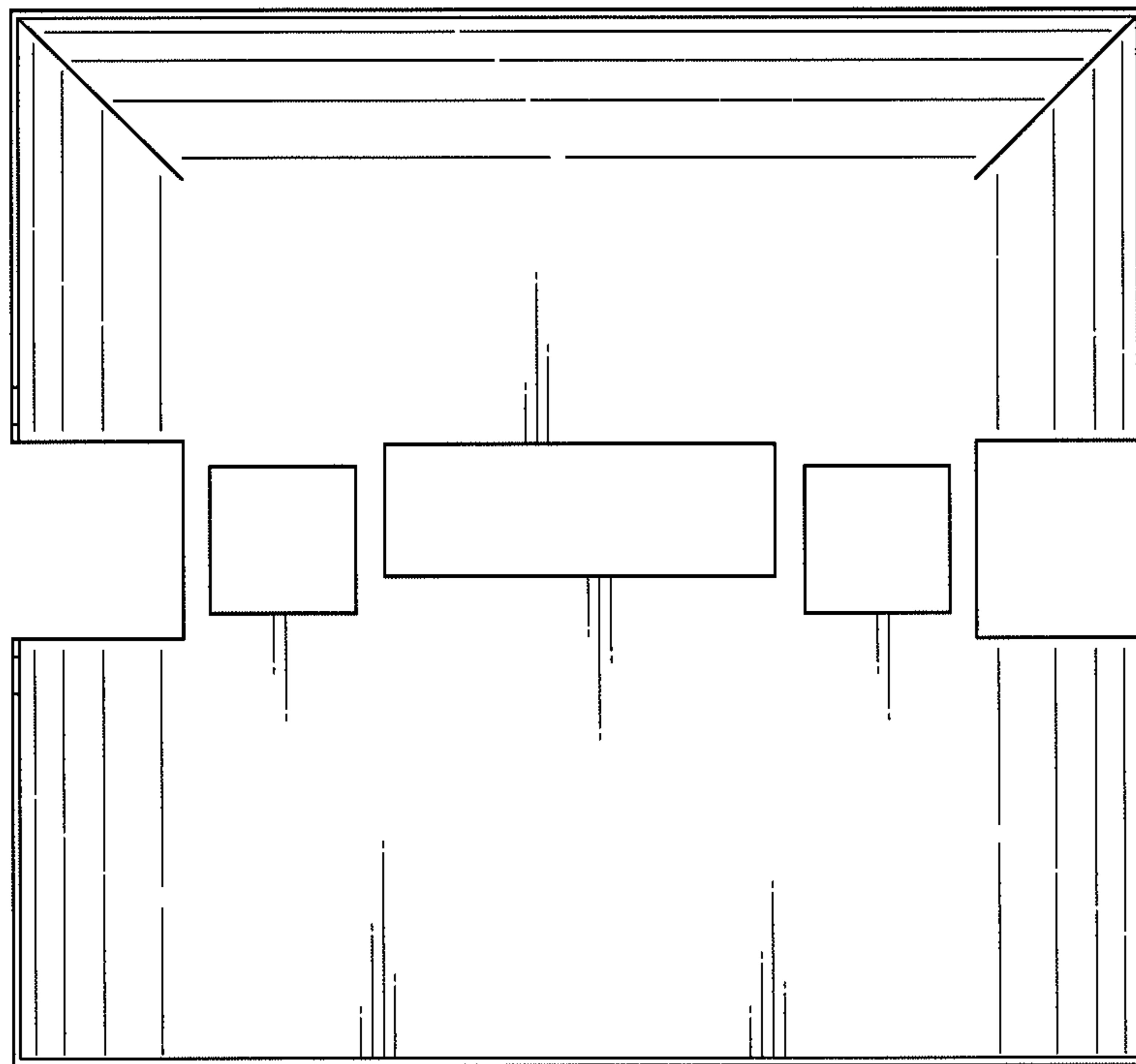


Fig. 7

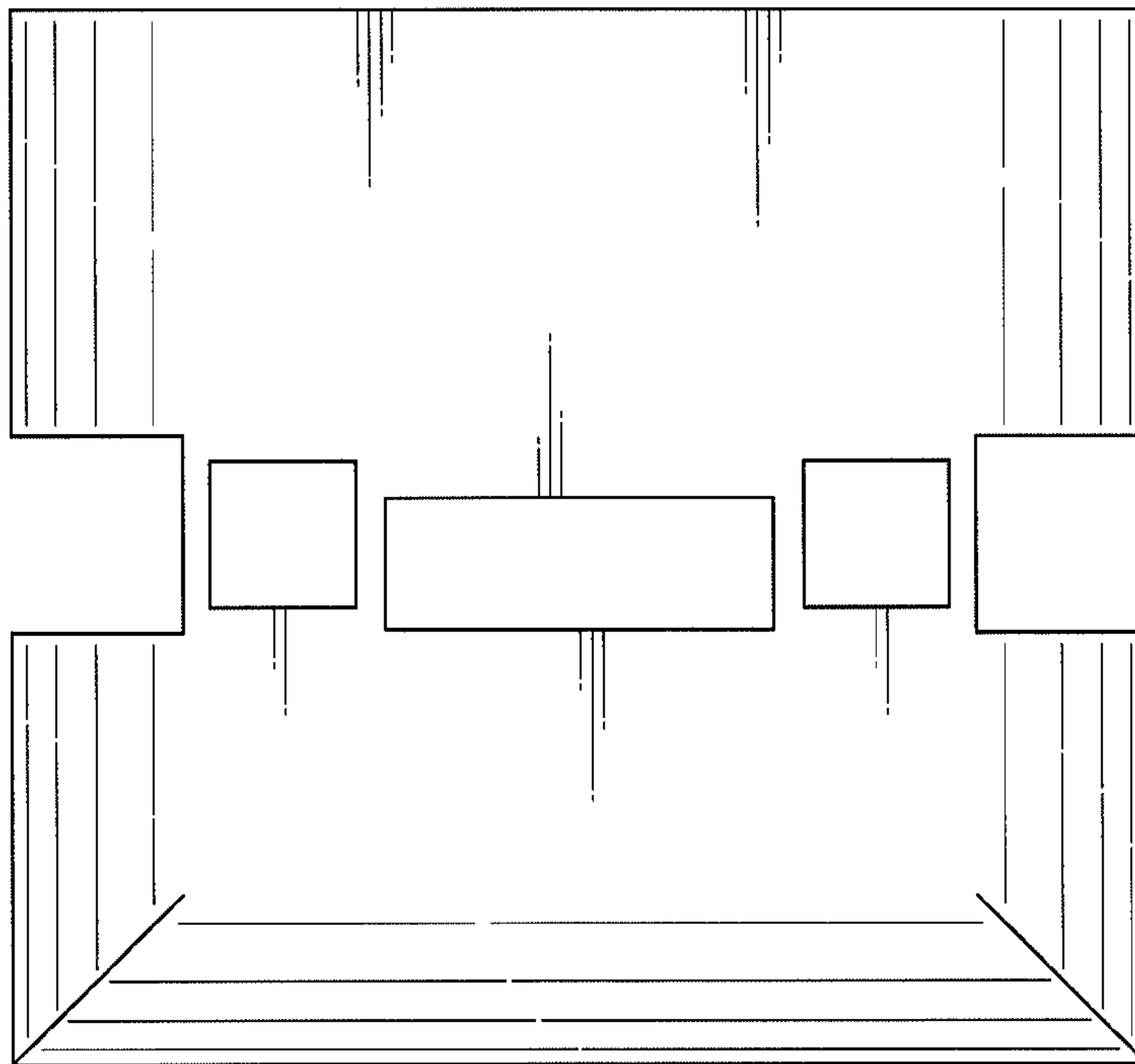




Fig. 8

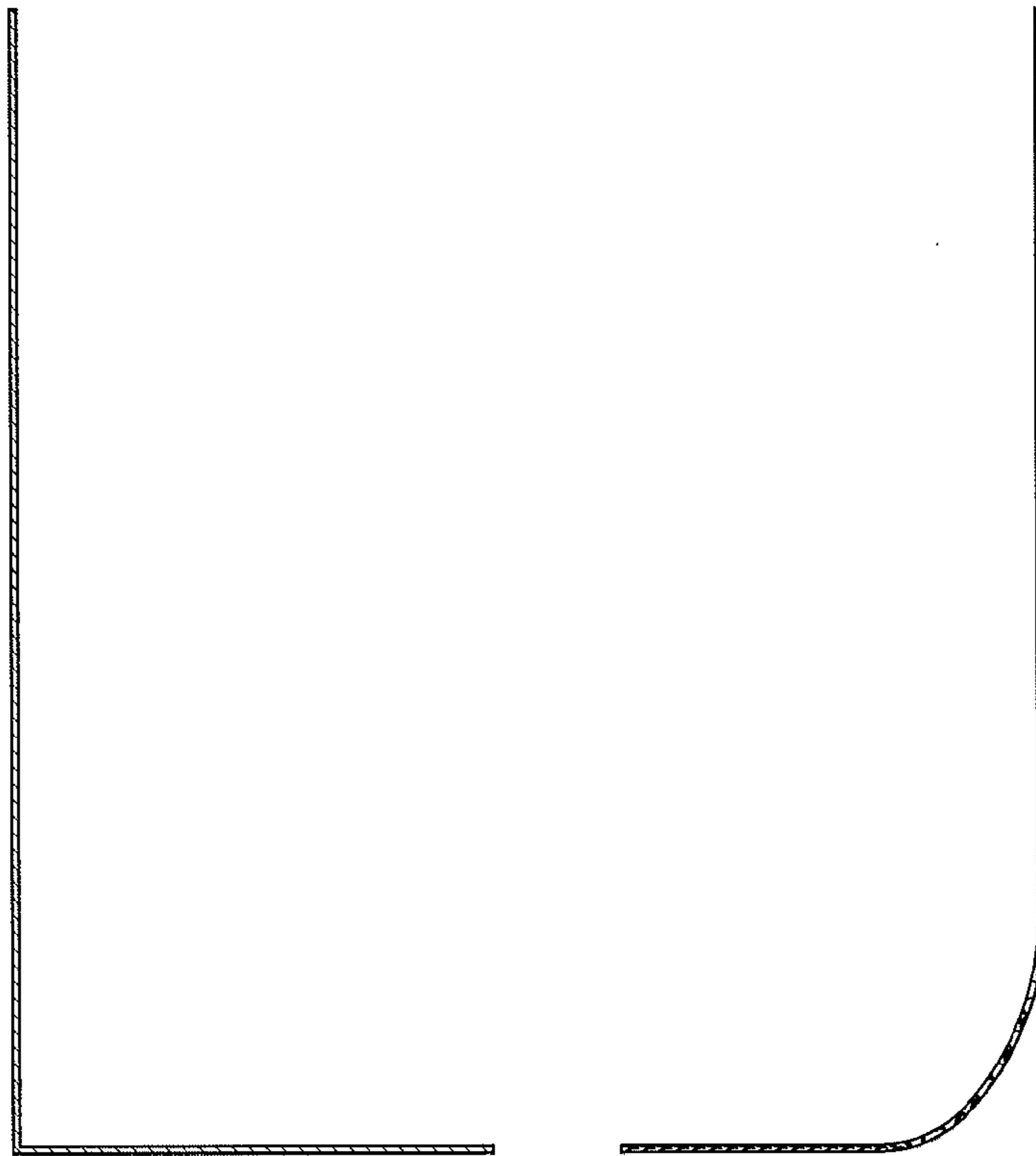


Fig. 9

