



US00D687564S

(12) **United States Design Patent**
Yang et al.

(10) **Patent No.:** **US D687,564 S**

(45) **Date of Patent:** **** Aug. 6, 2013**

(54) **COMBINED SAMPLE CONTAINER AND
PROCESSOR WITH SCREW CAP**

(75) Inventors: **Hongjun Yang**, Derwood, MD (US);
Zhifeng Long, North Potomac, MD
(US)

(73) Assignee: **Personal Diagnostix, Inc.**, Gaithersburg,
MD (US)

(**) Term: **14 Years**

(21) Appl. No.: **29/371,856**

(22) Filed: **Oct. 31, 2011**

(51) **LOC (9) Cl.** **24-01**

(52) **U.S. Cl.**
USPC **D24/224**

(58) **Field of Classification Search**
USPC D24/216–217, 219, 223–226, 227,
D24/229–231, 232, 107, 121–123; D10/81;
422/547–554, 556, 558, 559, 500; 435/288.1,
435/288.2, 288.3, 288.4, 294.1, 304.1, 304.3,
435/305.1–305.4; D9/504, 519, 529
See application file for complete search history.

(56) **References Cited**

U.S. PATENT DOCUMENTS

D241,416 S * 9/1976 Aul et al. D24/224
4,859,610 A * 8/1989 Maggio 435/288.2
D342,141 S * 12/1993 Baxter D24/224

D383,851 S * 9/1997 Wong D24/224
D507,351 S * 7/2005 Birnboim D24/224
D574,507 S * 8/2008 Muir et al. D24/224
D608,455 S * 1/2010 Pasmore et al. D24/224

* cited by examiner

Primary Examiner — Anhdao Doan

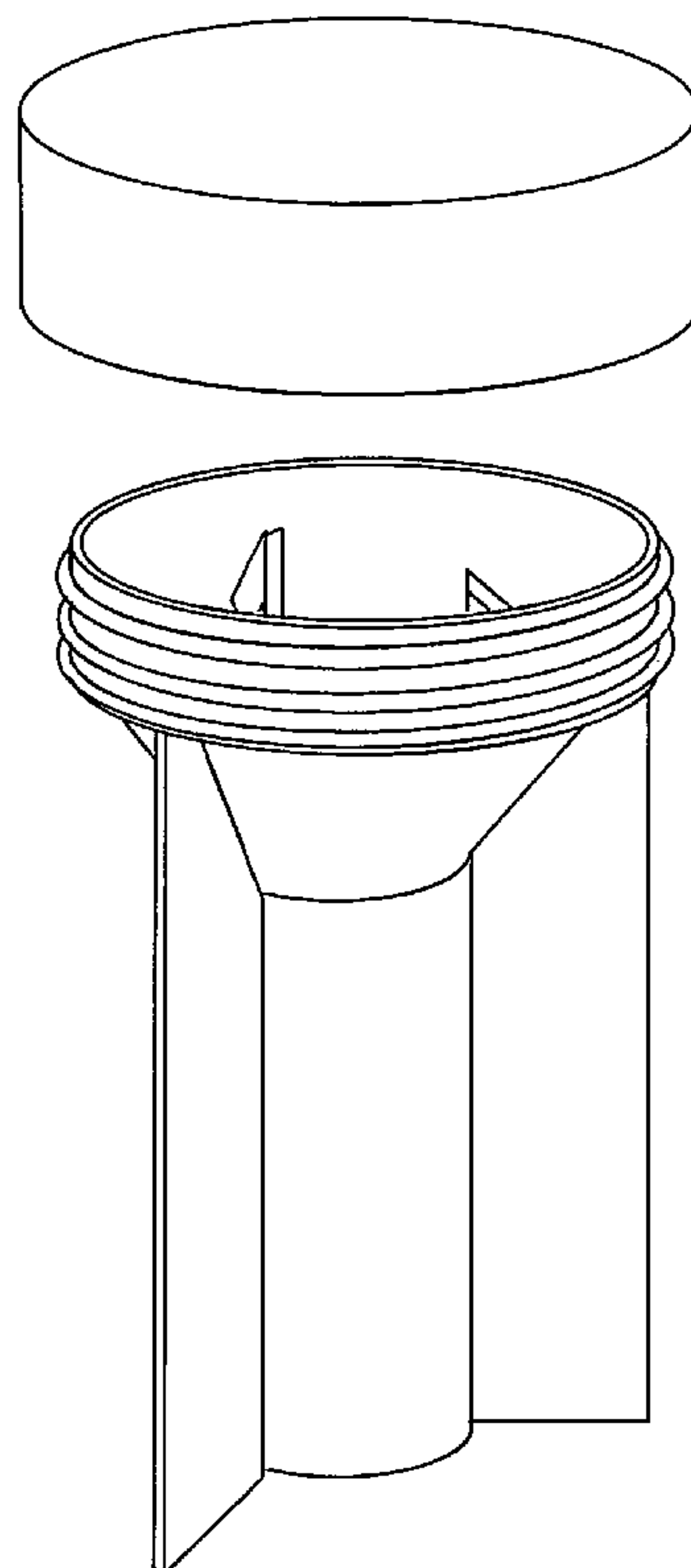
(57) **CLAIM**

The ornamental design for a combined sample container and processor with screw cap, as shown and described.

DESCRIPTION

FIG. 1 is a perspective view of the sample container with cap showing our design;
FIG. 2 is a perspective view of the sample container, a part with an unscrewed cap;
FIG. 3 is a front view of the sample container without cap;
FIG. 4 is a rear view of the sample container without cap;
FIG. 5 is a left side view of the sample container without cap;
FIG. 6 is a right side view of the sample container without cap;
FIG. 7 is a cross-sectional view of the sample container taken along line 7-7 in FIG. 6;
FIG. 8 is a top view of the sample container without cap;
FIG. 9 is a bottom view of the sample container;
FIG. 10 is a top view of the cap;
FIG. 11 is a bottom view of the cap; and,
FIG. 12 is a partial cross-sectional view of the cap taken along line 12-12 in FIG. 11.

1 Claim, 9 Drawing Sheets



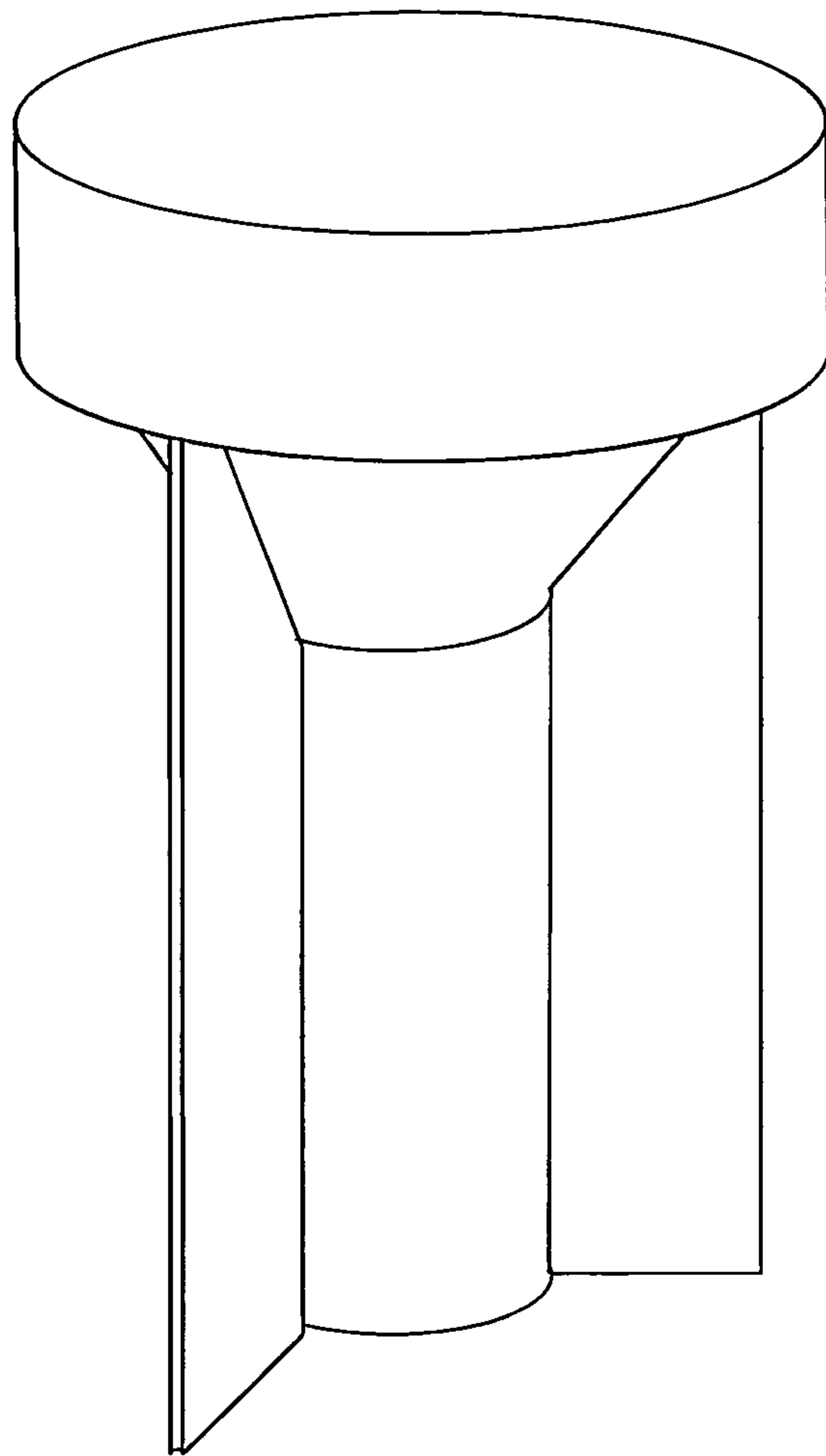


FIG. 1

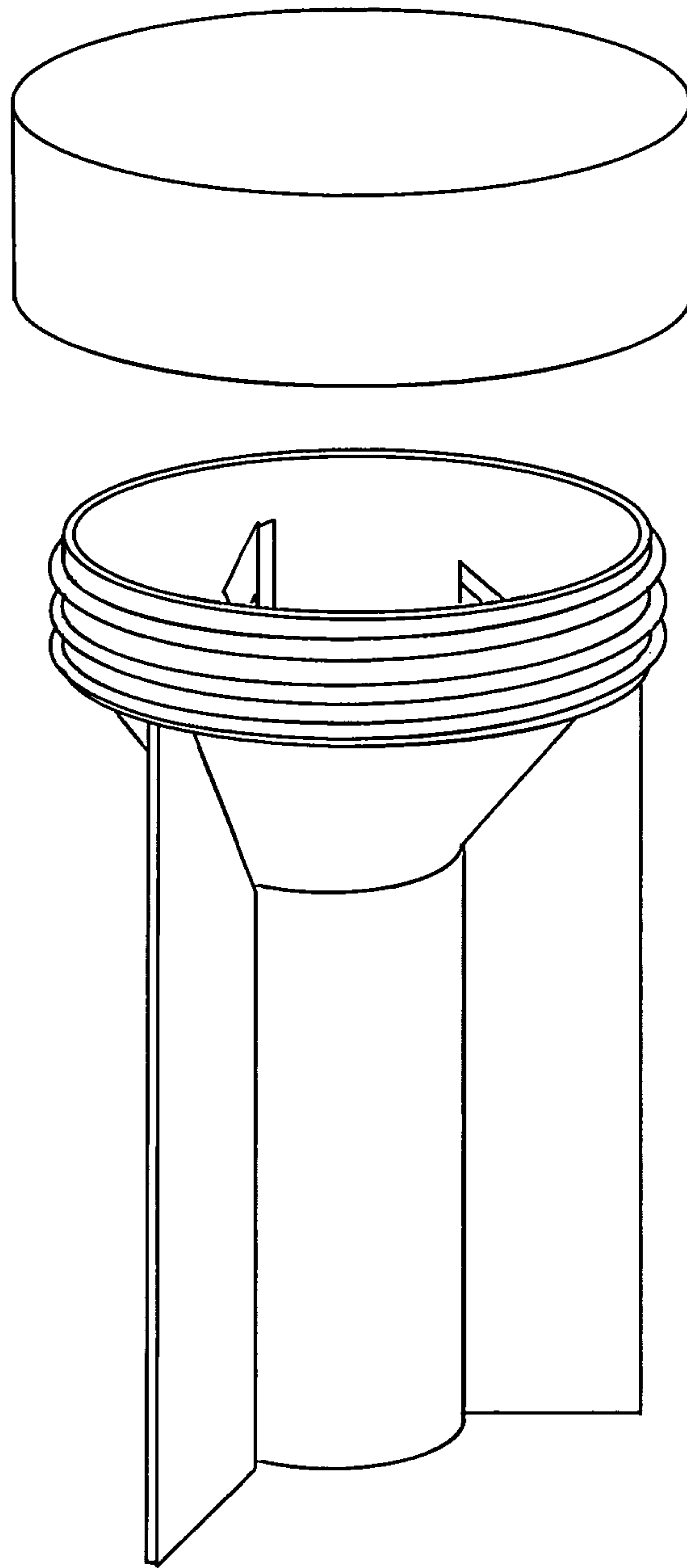


FIG. 2

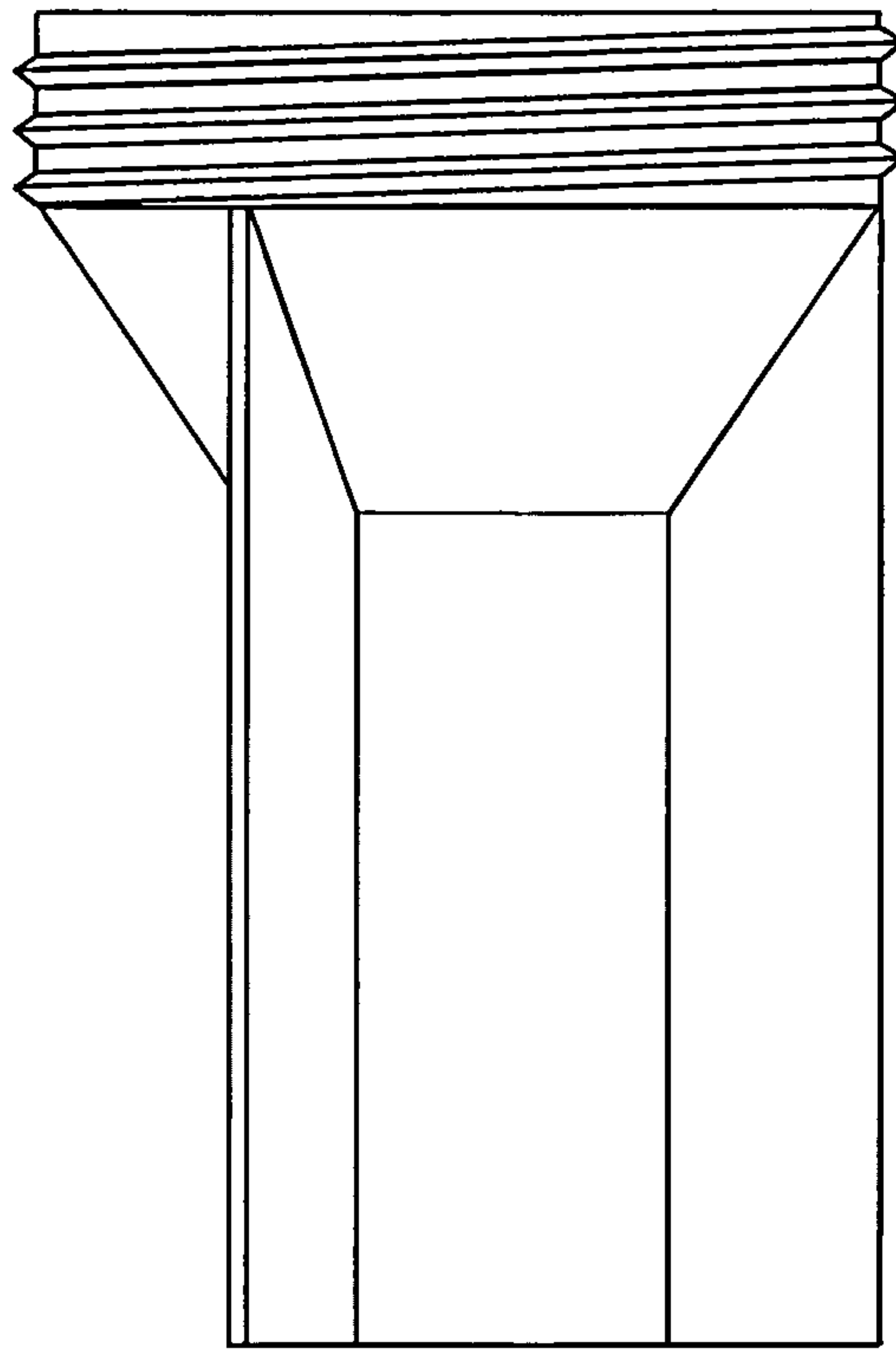


FIG. 3

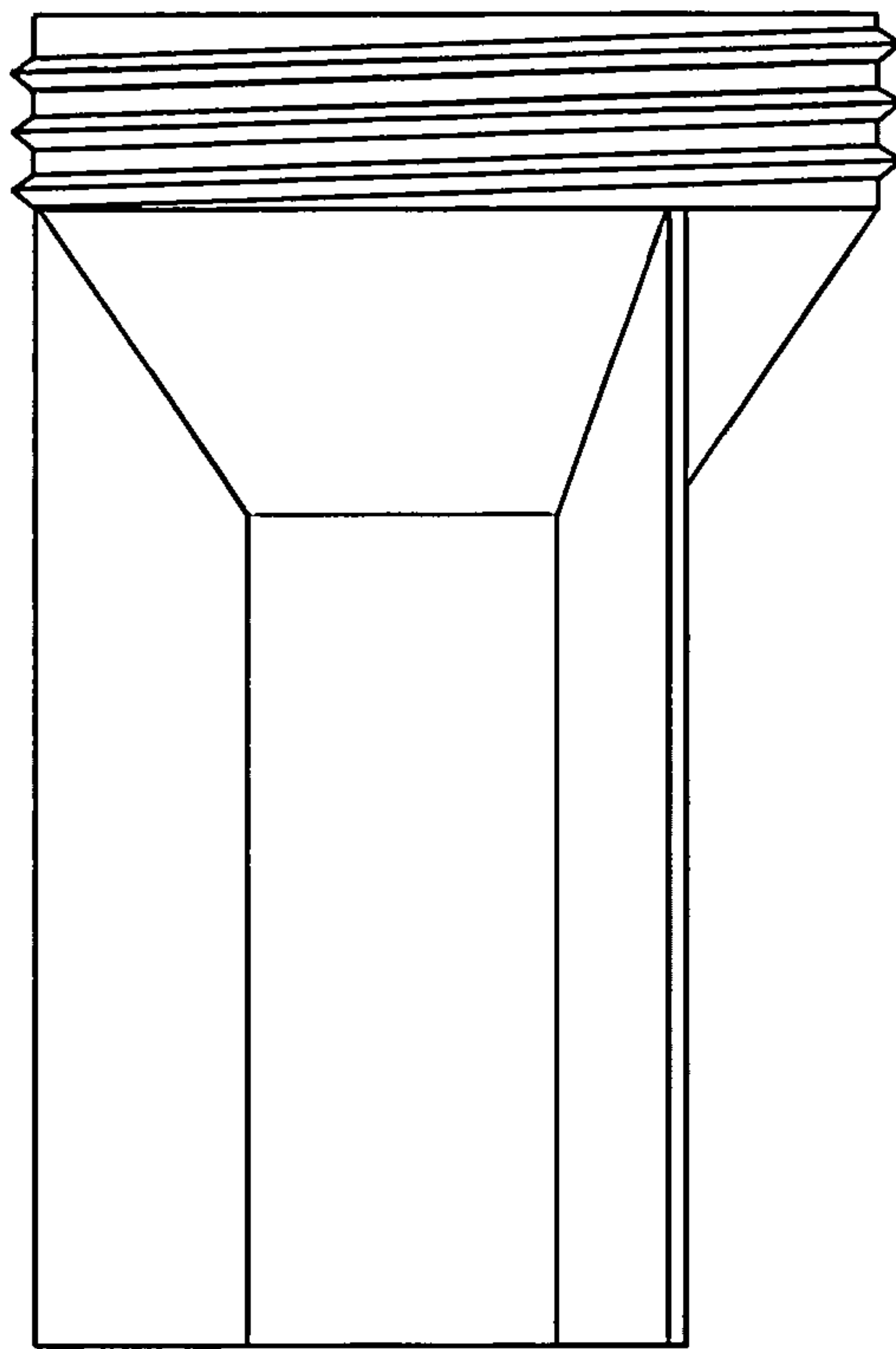


FIG. 4

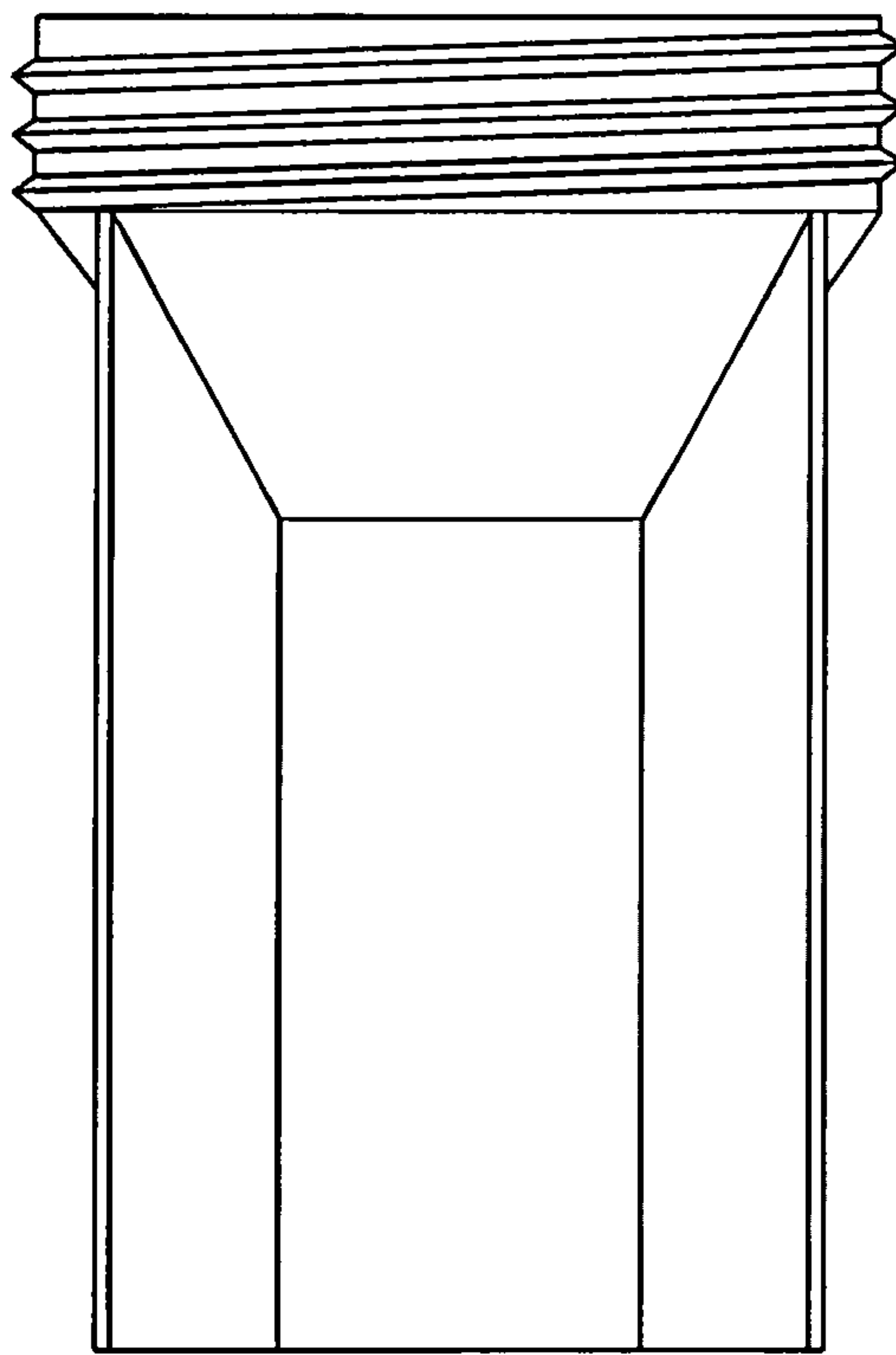


FIG. 5

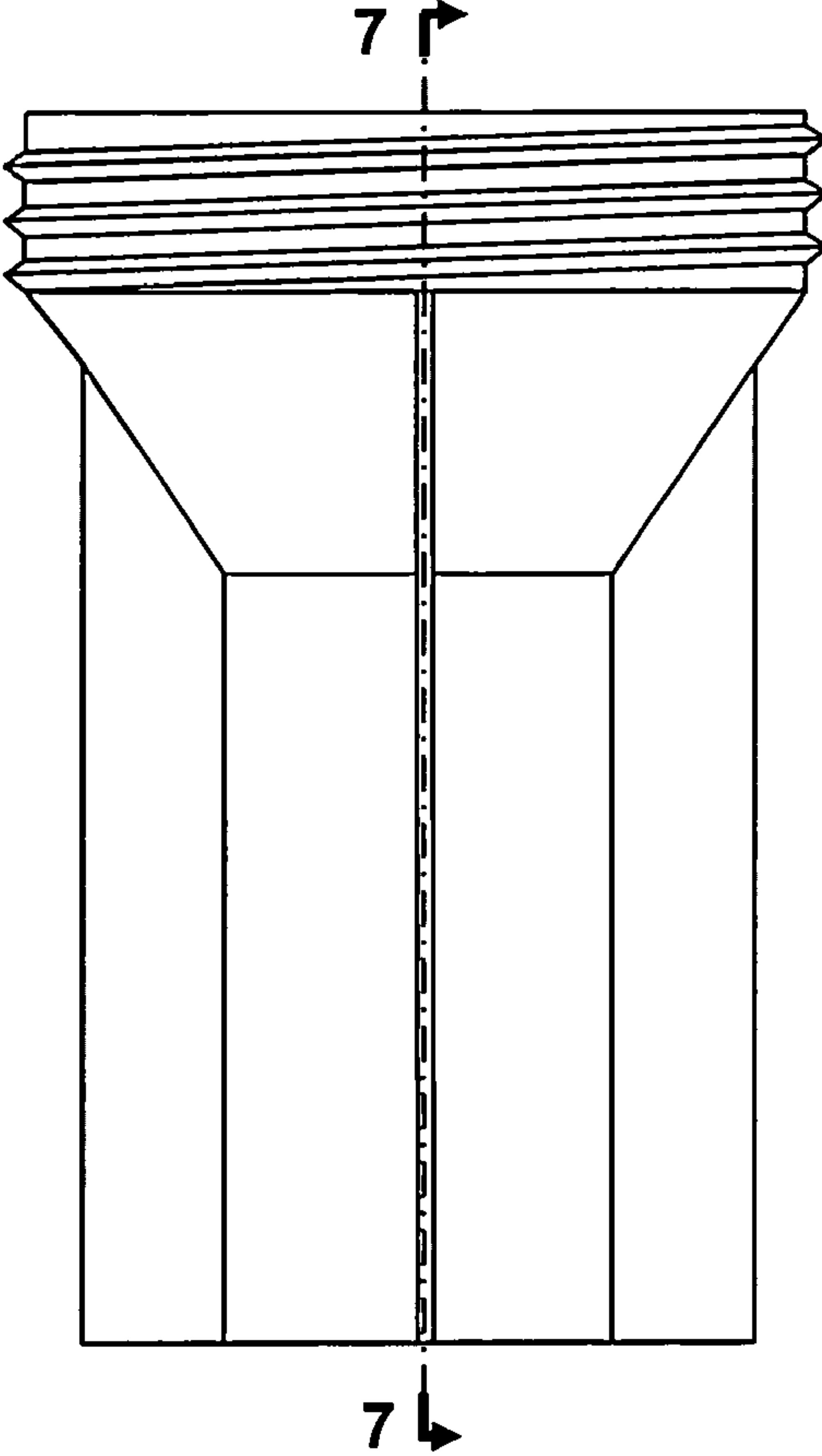


FIG. 6

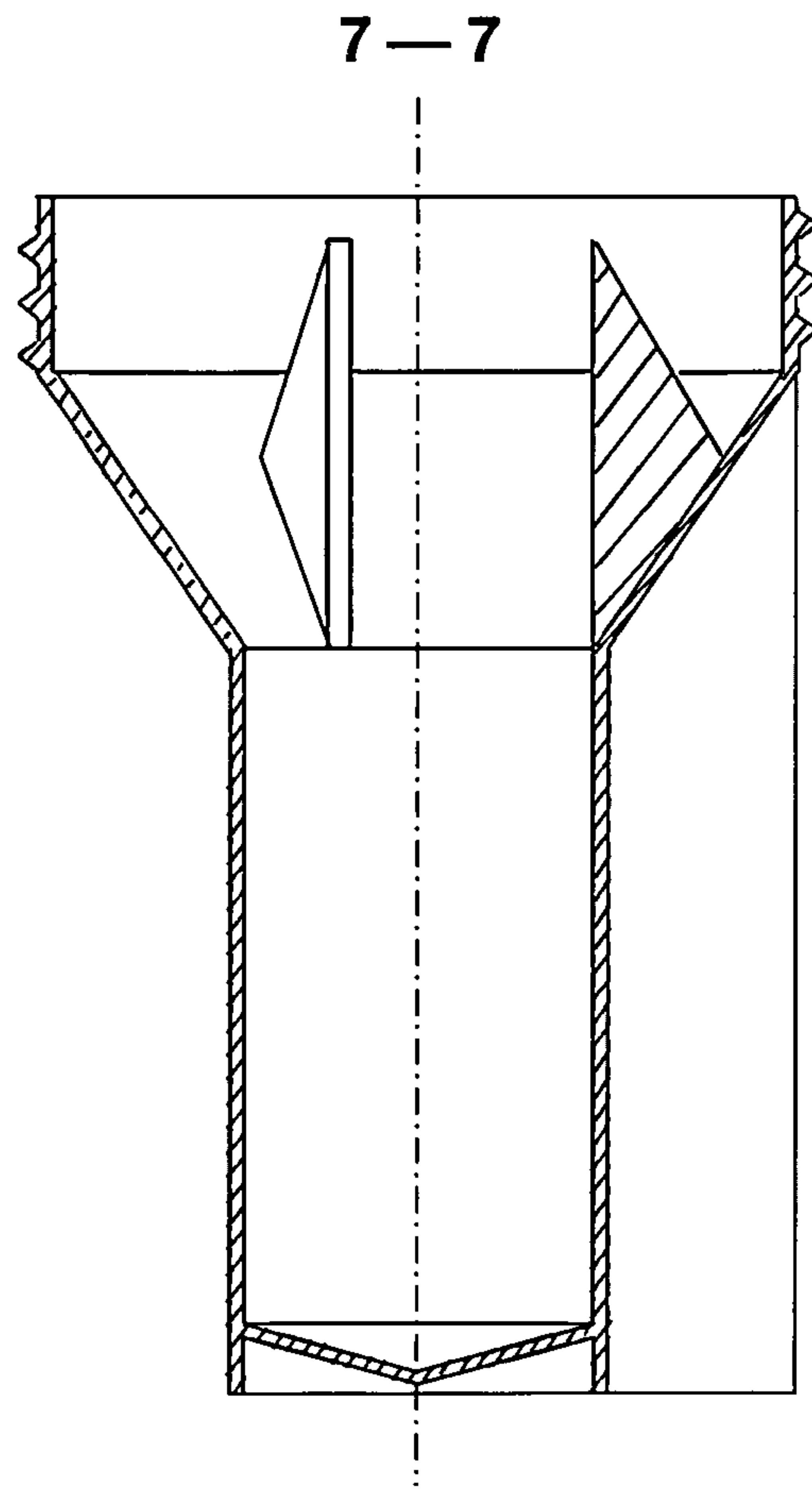


FIG. 7

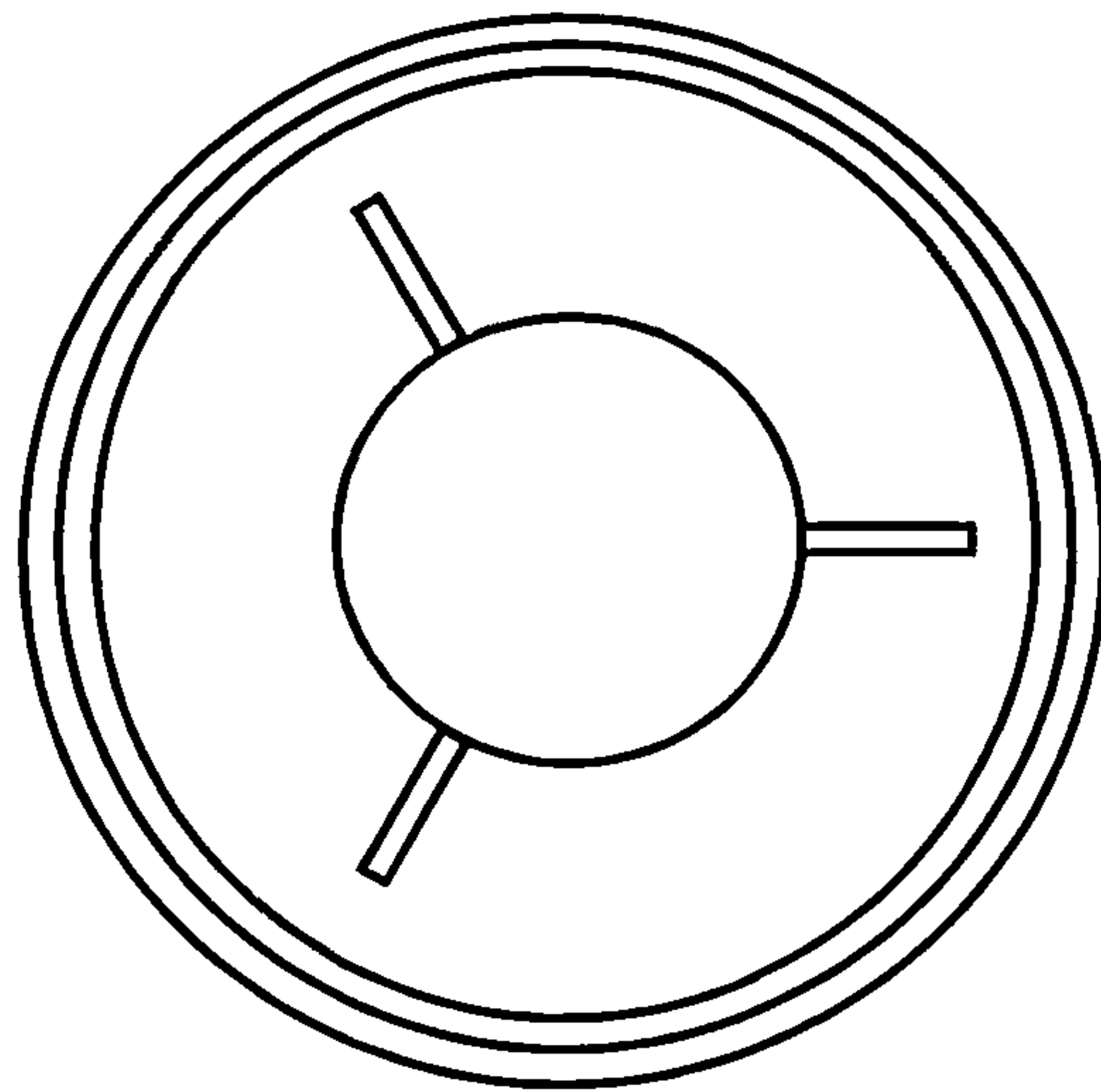


FIG. 8

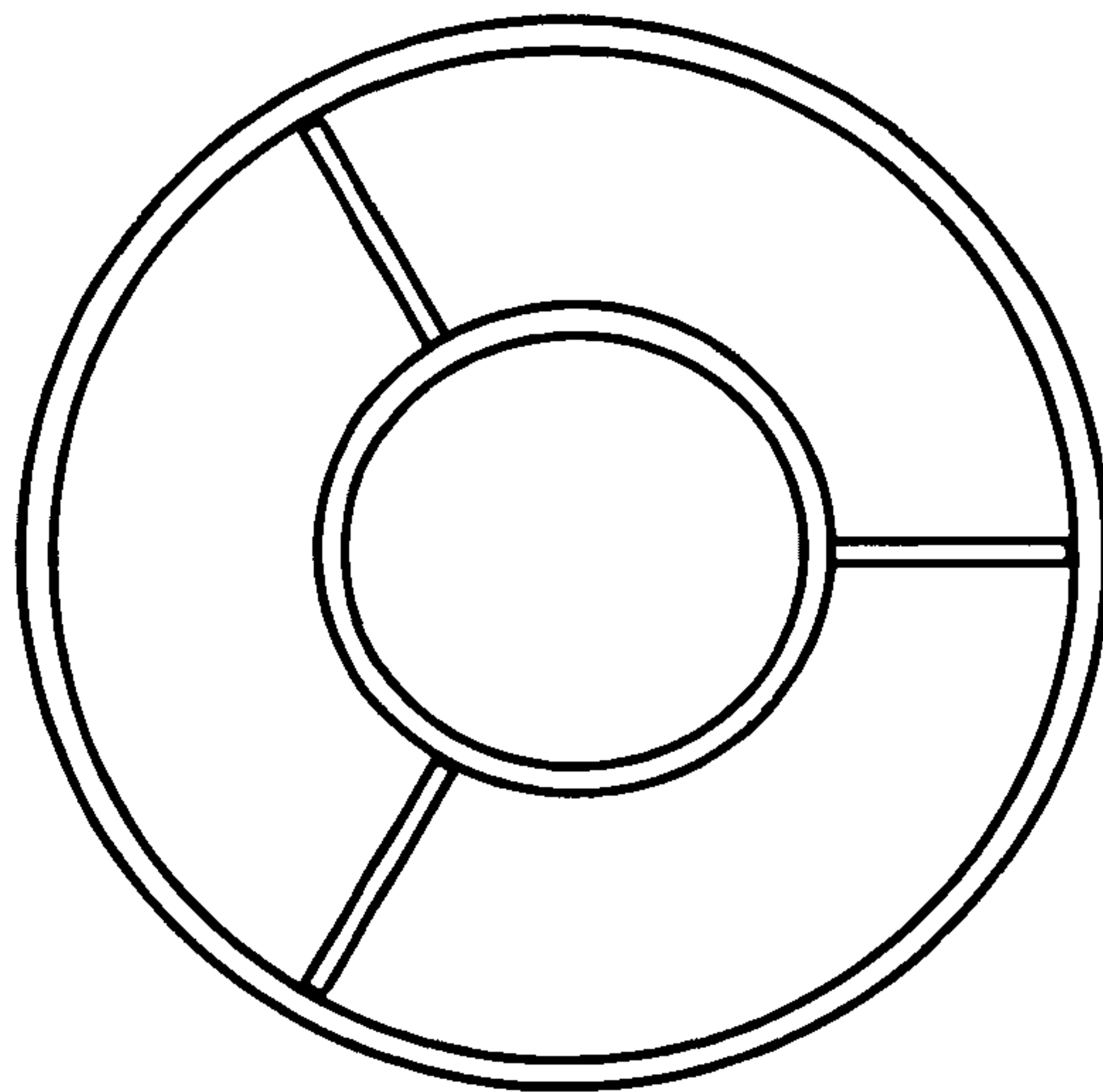


FIG. 9

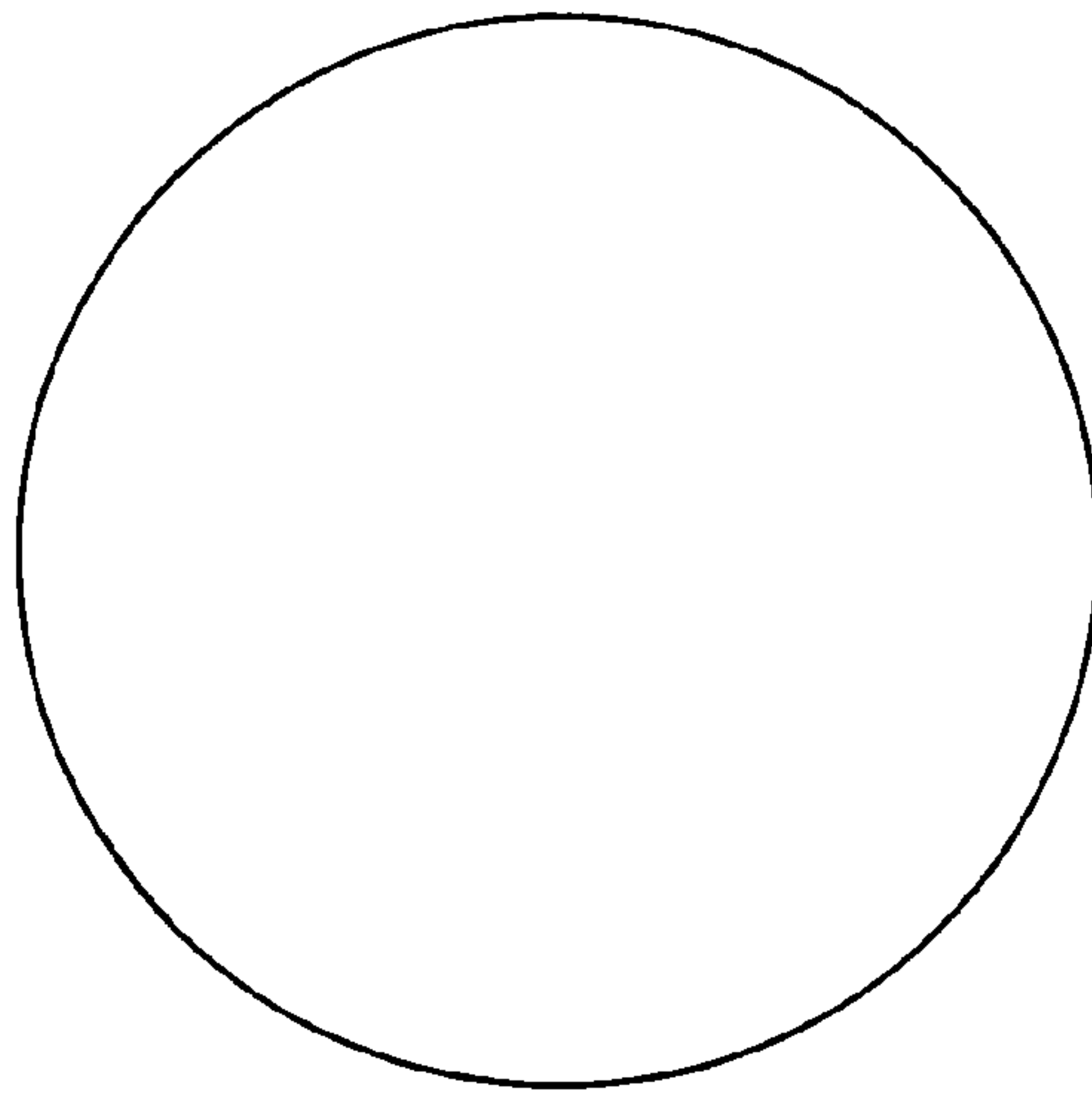


FIG. 10

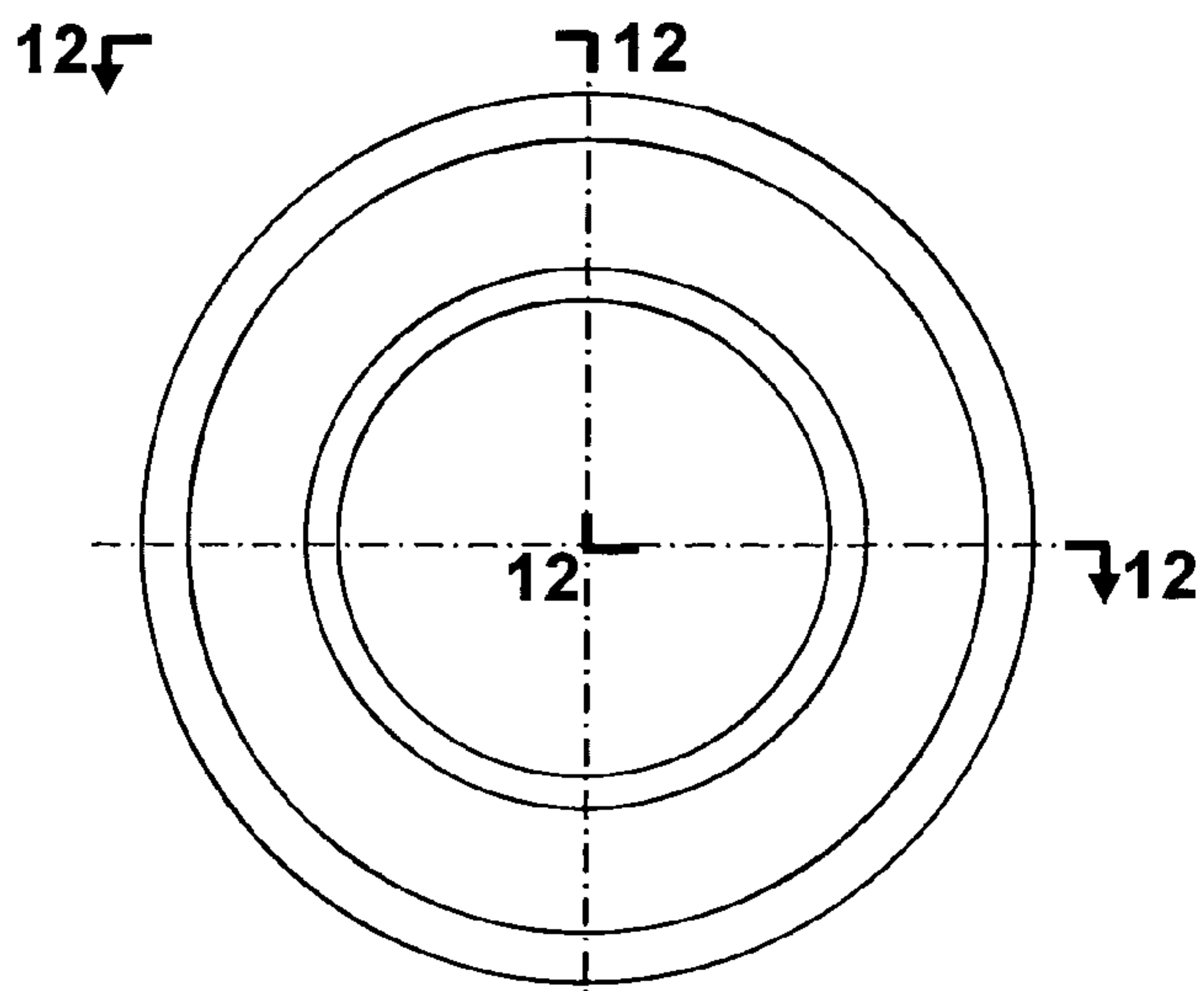


FIG. 11

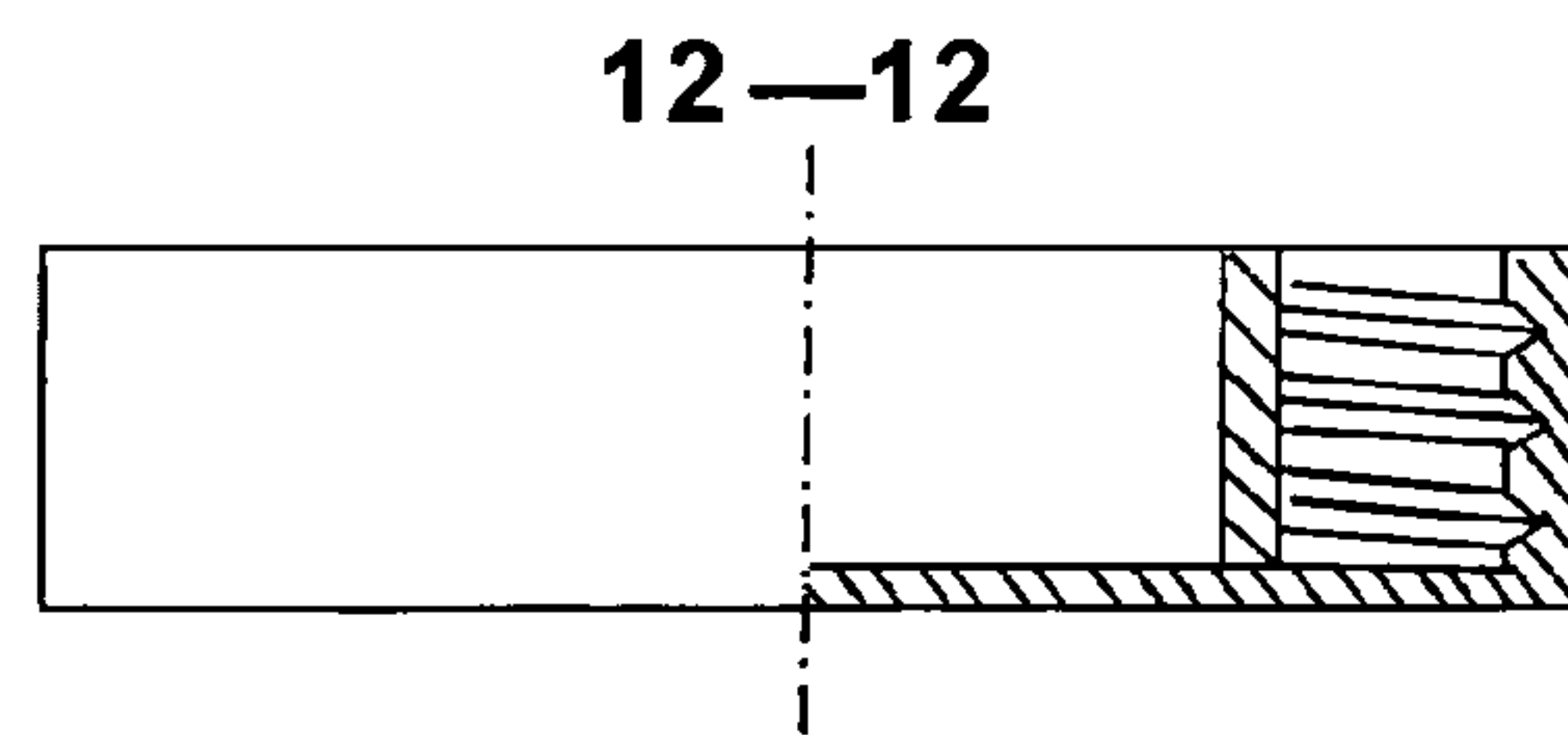


FIG. 12