



US00D687563S

(12) **United States Design Patent**
Tamura

(10) **Patent No.:** **US D687,563 S**
(45) **Date of Patent:** **** Aug. 6, 2013**

(54) **SOLID-PHASE EXTRACTION CARTRIDGE**

(75) Inventor: **Terumi Tamura**, Hitachinaka (JP)

(73) Assignee: **Hitachi High-Technologies Corporation**, Tokyo (JP)

(**) Term: **14 Years**

(21) Appl. No.: **29/431,885**

(22) Filed: **Sep. 12, 2012**

(30) **Foreign Application Priority Data**

Apr. 6, 2012 (JP) 2012-008118

(51) **LOC (9) Cl.** **24-02**

(52) **U.S. Cl.**
USPC **D24/222**

(58) **Field of Classification Search**
USPC D24/216, 222–226, 231, 232, 186,
D24/169, 108, 112–115, 117, 121, 127, 130,
D24/162; D10/81, 103; 422/521, 501–503;
73/863.32, 864.01, 864.16, 864.17, 864.14,
73/864.21; 436/180, 178; 210/634
See application file for complete search history.

(56) **References Cited**

U.S. PATENT DOCUMENTS

4,214,993	A *	7/1980	Forsythe et al.	210/282
D300,561	S *	4/1989	Asa et al.	D24/112
5,658,800	A *	8/1997	Lessard et al.	436/178
D414,562	S *	9/1999	Tajima	D24/222
6,177,008	B1 *	1/2001	Treiber et al.	210/198.2
D506,829	S *	6/2005	Baker et al.	D24/130
D511,214	S *	11/2005	Sasano et al.	D24/224
D519,868	S	5/2006	Sasano et al.	
7,192,525	B2	3/2007	Fisk et al.	
D601,712	S *	10/2009	Tajima	D24/222
2005/0255005	A1 *	11/2005	Motadel	422/100

FOREIGN PATENT DOCUMENTS

JP	D 1199123	S	3/2004
JP	D 1304335	S	6/2007
JP	D 1331898	S	6/2008
JP	D 1333818	S	6/2008
JP	D 1400378	S	11/2010

OTHER PUBLICATIONS

Dahl, Selection of Solid Phase extraction Cartridges, File: SPE Cartridges.jpg—Wikipedia, the free Encyclopedia, Wikipedia.org, [http://en.wikipedia.org/wiki/File: SPE_Cartridges.jpg](http://en.wikipedia.org/wiki/File:SPE_Cartridges.jpg), dated Dec. 1, 2007, pp. 1-4 in English.

* cited by examiner

Primary Examiner — Anhdao Doan

(74) *Attorney, Agent, or Firm* — Antonelli, Terry, Stout & Kraus, LLP.

(57) **CLAIM**

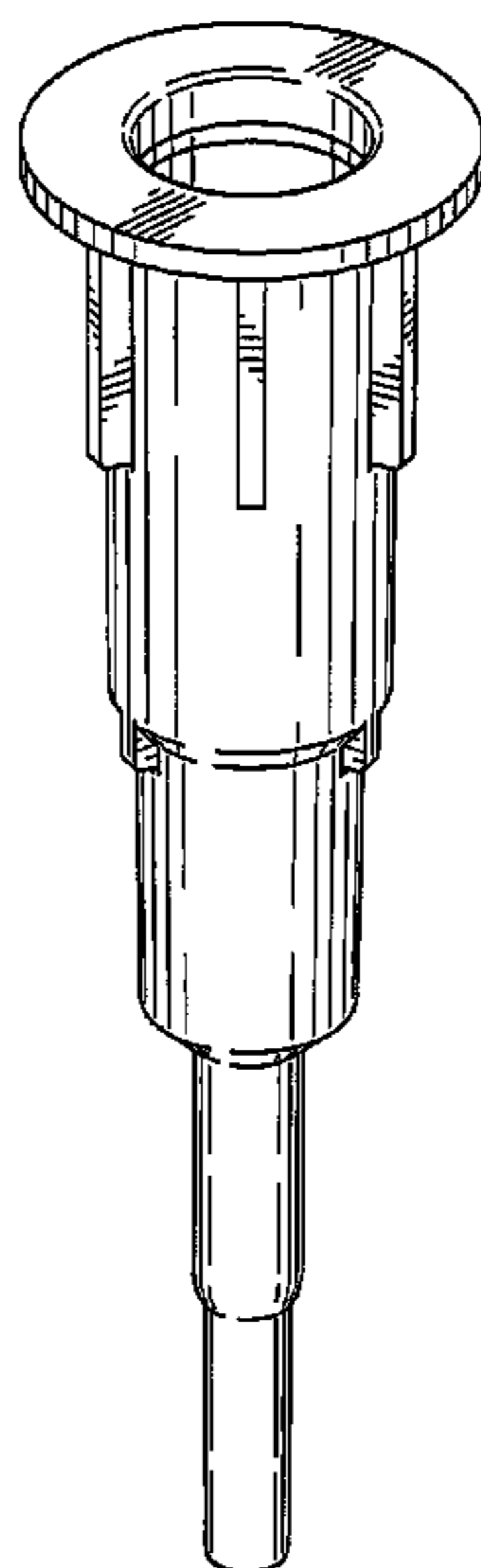
I claim the ornamental design for a solid-phase extraction cartridge, as shown and described.

DESCRIPTION

FIG. 1 is a front, top and right side perspective view of a solid-phase extraction cartridge showing my new design; FIG. 2 is a front elevational view thereof; FIG. 3 is a rear elevational view thereof; FIG. 4 is a left side elevational view thereof; FIG. 5 is a right side elevational view thereof; FIG. 6 is a top plan view thereof; FIG. 7 is a bottom plan view thereof; and, FIG. 8 is a cross sectional view taken along the lines 8-8 of FIG. 2.

The broken lines in FIG. 8 are included for the purpose of illustrating portions of the solid-phase extraction cartridge that form no part of the claimed design.

1 Claim, 3 Drawing Sheets



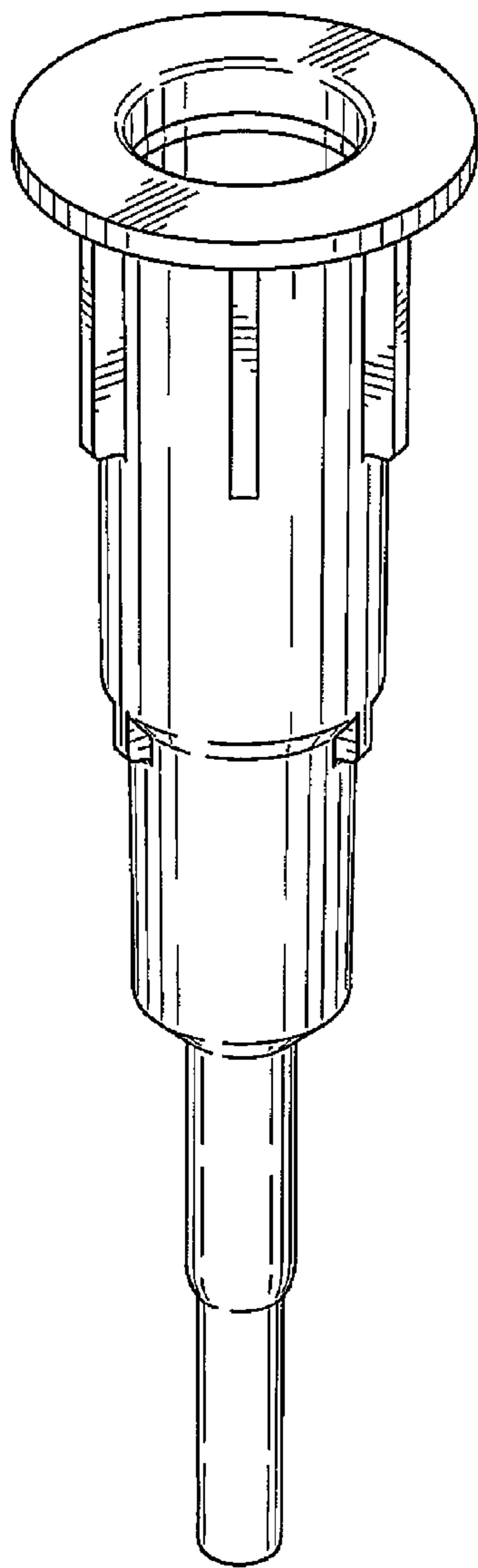


FIG. 1

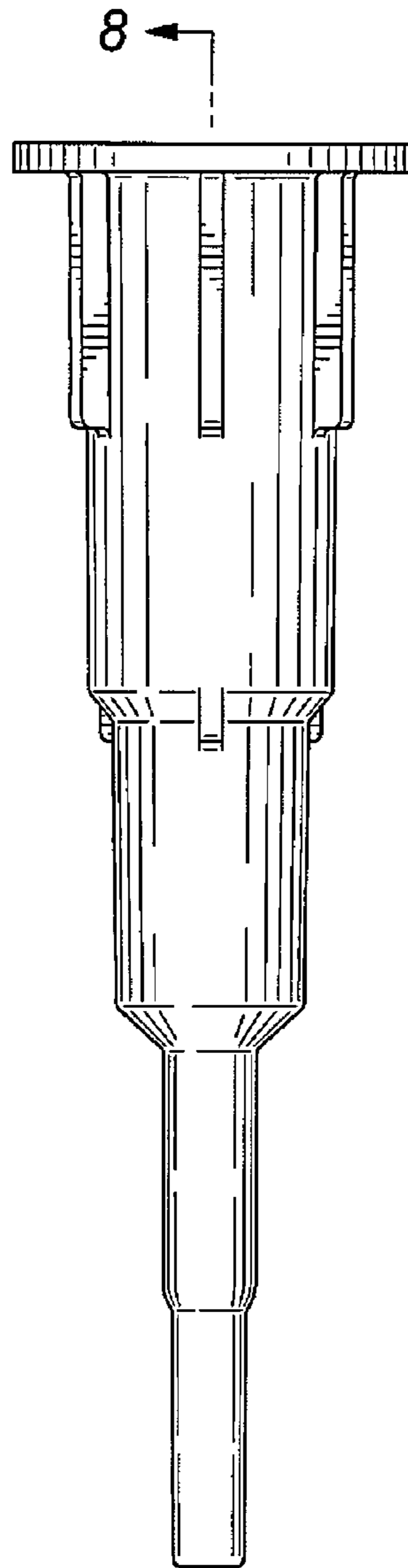


FIG. 2

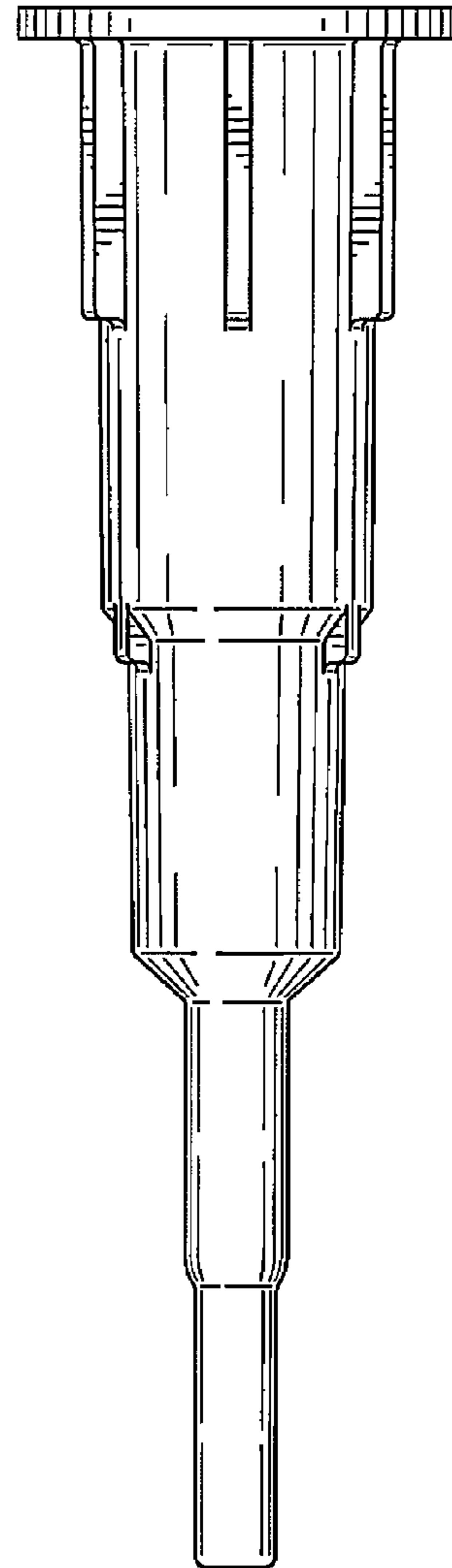


FIG. 3

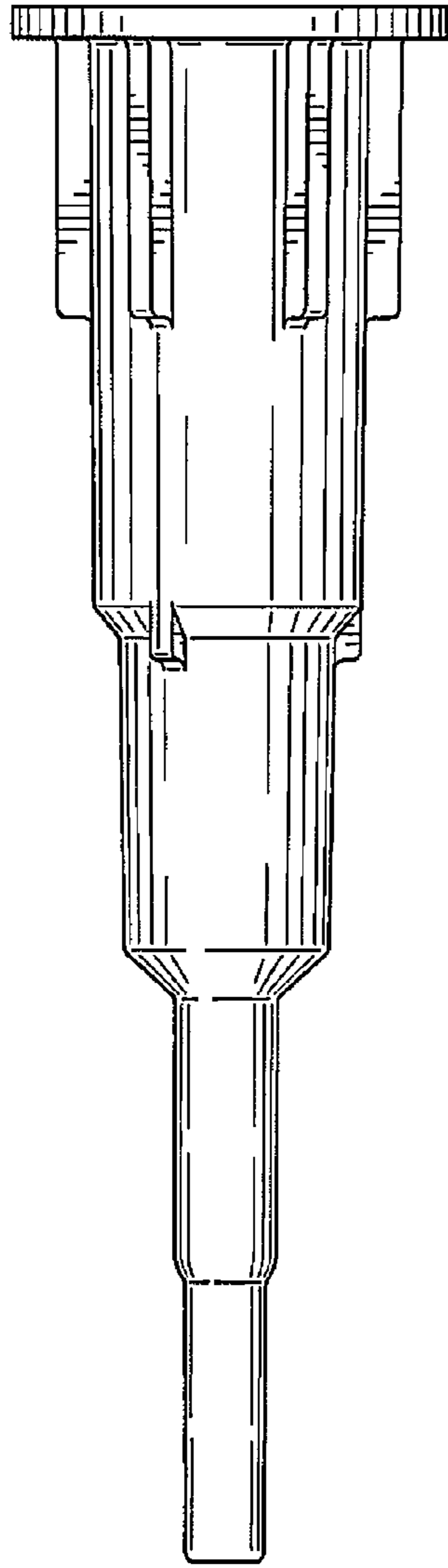


FIG. 4

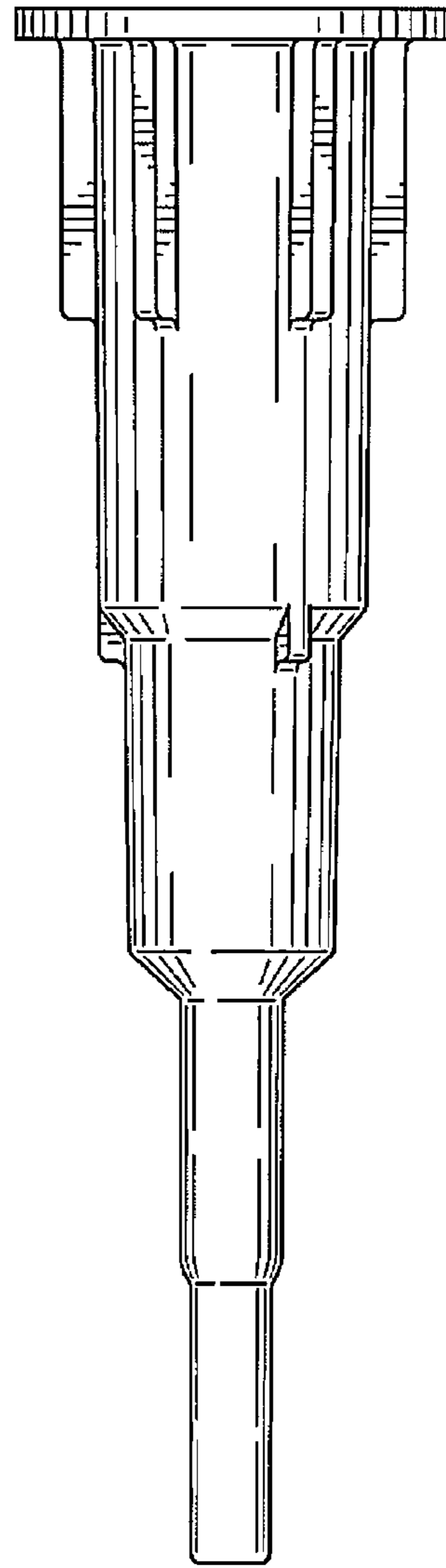


FIG. 5

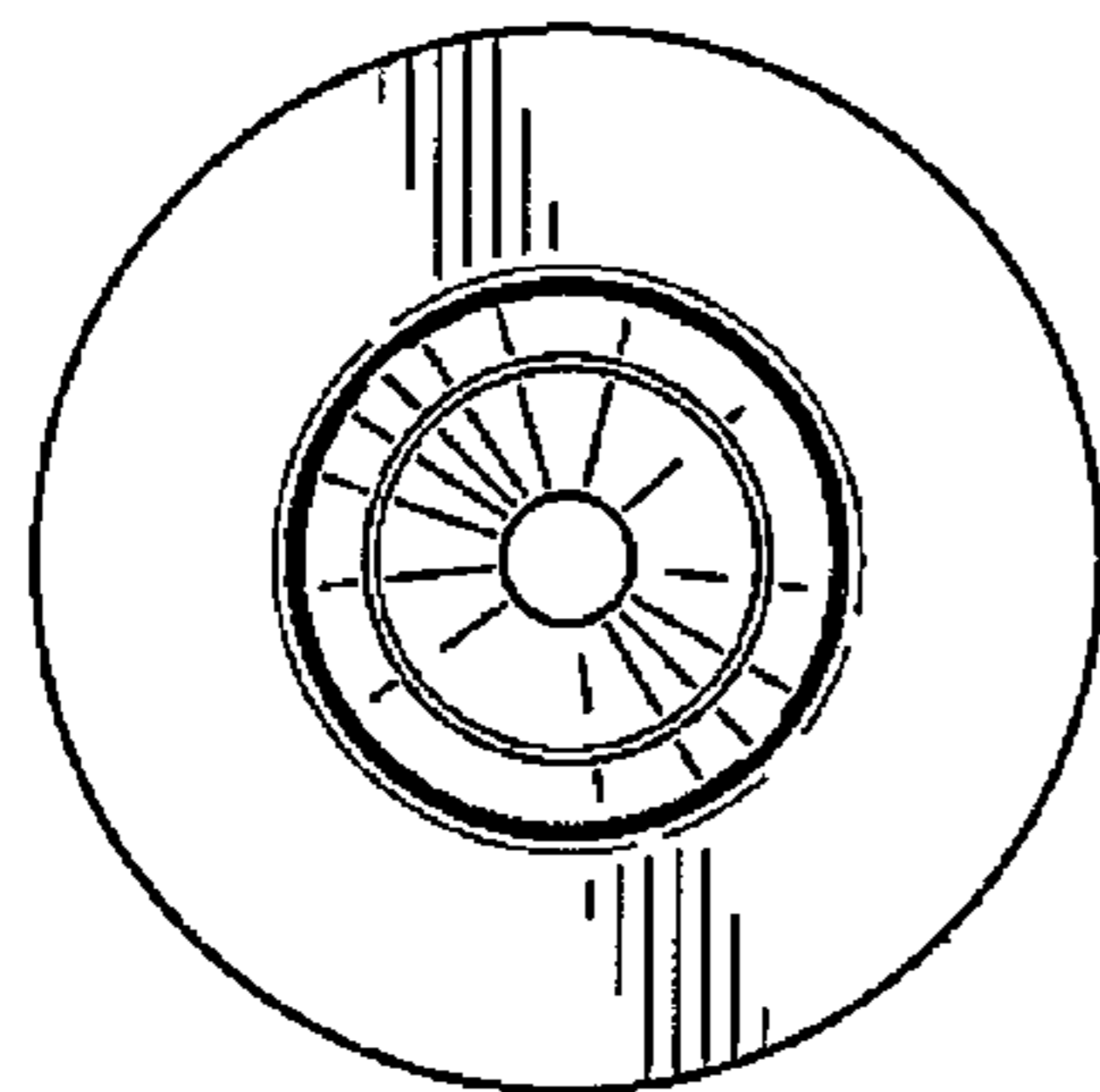


FIG. 6

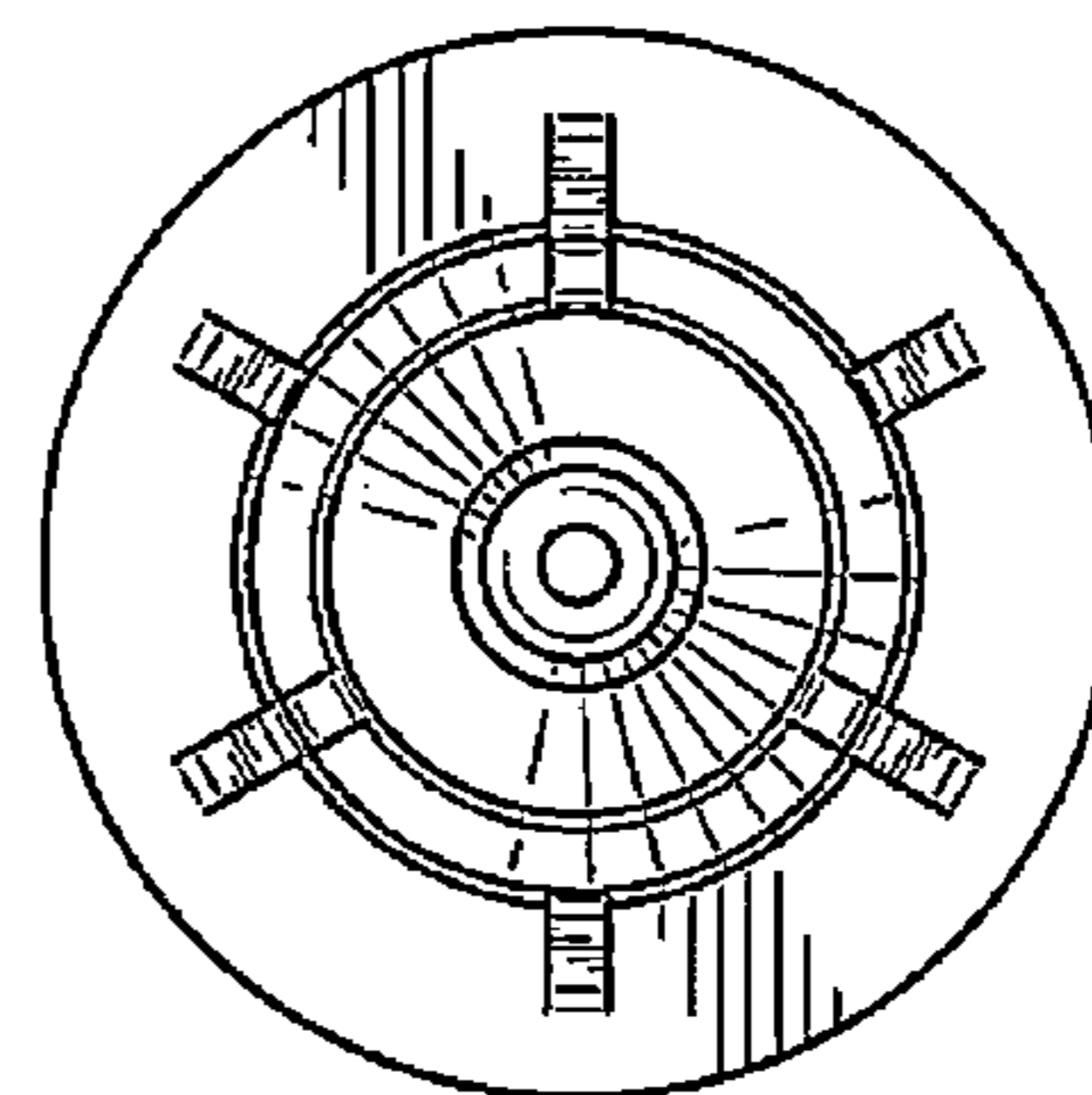


FIG. 7

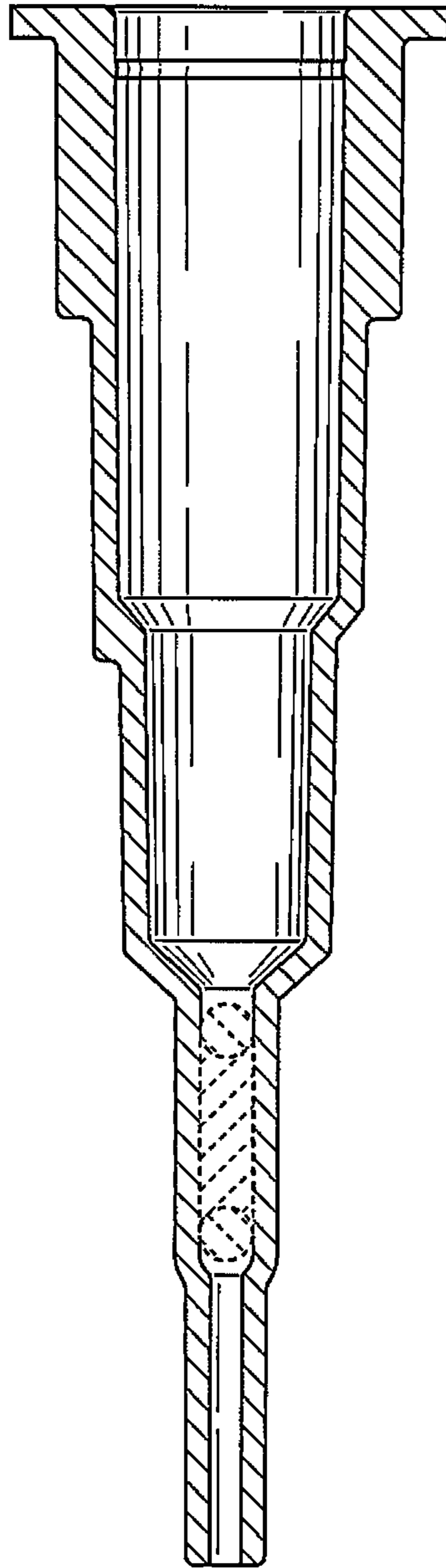


FIG. 8