



US00D687562S

(12) **United States Design Patent**
Motadel et al.

(10) **Patent No.:** **US D687,562 S**
(45) **Date of Patent:** **** Aug. 6, 2013**

(54) **PIPETTE TIP**

(75) Inventors: **Arta Motadel**, San Diego, CA (US);
Peter Paul Blaszcak, San Diego, CA
(US); **Judy Bowman**, San Diego, CA
(US)

(73) Assignee: **Biotix, Inc.**, San Diego, CA (US)

(**) Term: **14 Years**

(21) Appl. No.: **29/416,179**

(22) Filed: **Mar. 19, 2012**

(51) **LOC (9) Cl.** **24-02**

(52) **U.S. Cl.**
USPC **D24/222**

(58) **Field of Classification Search**
USPC D24/216, 222–226, 231, 232, 186,
D24/169, 133; D10/81; 422/521, 501–503;
73/863.32, 864.01, 864.16, 864.17, 864.14,
73/864.21; 436/180

See application file for complete search history.

(56) **References Cited**

U.S. PATENT DOCUMENTS

D255,601 S	6/1980	De Vaughn
D256,052 S	7/1980	De Vaughn
4,461,328 A	7/1984	Kenny
4,537,231 A	8/1985	Hasskamp
4,565,100 A	1/1986	Malinoff et al.
4,647,419 A	3/1987	Helfer et al.
4,707,337 A	11/1987	Jeffs et al.

(Continued)

FOREIGN PATENT DOCUMENTS

EP	0266155	5/1988
EP	0743095	11/1996

(Continued)

OTHER PUBLICATIONS

Apricot Designs Pipette Tips Catalog for EZ-Load Tips, ESP Tips and High Volume Apricot Tips, printed from the internet on Oct. 19, 2011 from http://www.apricotdesigns.com/pipette_tips.htm.

(Continued)

Primary Examiner — Anhdao Doan

(74) *Attorney, Agent, or Firm* — Grant Anderson LLP

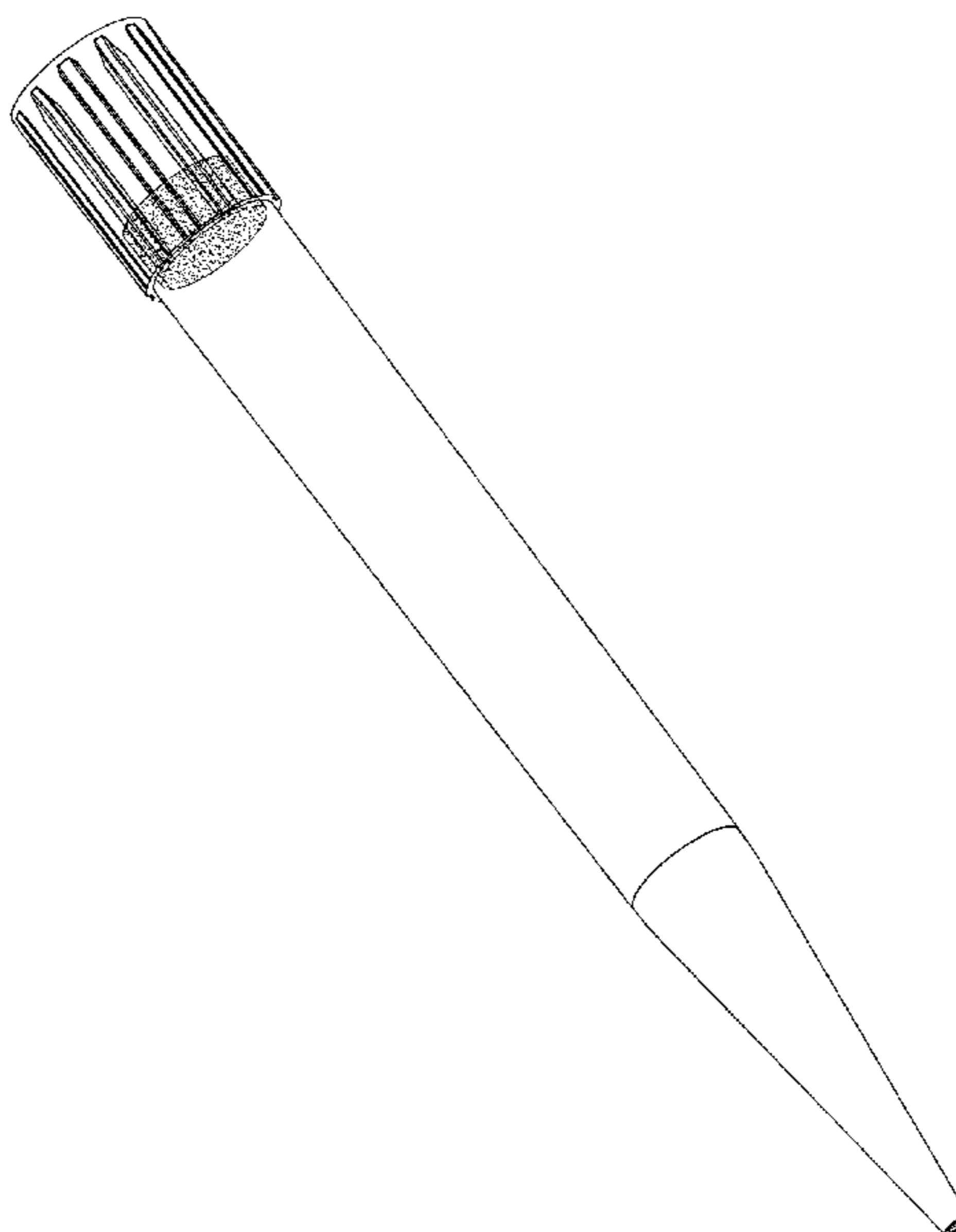
(57) **CLAIM**

The ornamental design for a pipette tip, as shown and described.

DESCRIPTION

FIG. 1 is a perspective view of an embodiment of a pipette tip comprising a filter;
FIG. 2 is a front view thereof;
FIG. 3 is a side view thereof;
FIG. 4 is a top view thereof;
FIG. 5 is a bottom view thereof;
FIG. 6 is a side view thereof with a broken line indicating a vertical cross-section;
FIG. 7 is a cross-section view taken along the broken line 7-7 shown in FIG. 6;
FIG. 8 is an enlarged cross-section view of the pipette tip region indicated by a broken line circle in FIG. 7;
FIG. 9 is a side view thereof with broken lines indicating horizontal cross-sections;
FIG. 10 is a cross-section view taken along broken line 10-10;
FIG. 11 is a cross-section view taken along broken line 11-11; and,
FIG. 12 is a cross-section view taken along broken line 12-12. Broken lines form no part of the claimed design and are in part included for the purpose of illustrating cross-section lines or portions of a pipette tip.

1 Claim, 6 Drawing Sheets



US D687,562 S

Page 2

U.S. PATENT DOCUMENTS

D300,561	S	4/1989	Asa et al.	
5,000,921	A	3/1991	Hanaway et al.	
5,032,343	A	7/1991	Jeffs et al.	
5,156,811	A	10/1992	White	
5,232,669	A	8/1993	Pardinas	
5,343,909	A	9/1994	Goodman	
5,614,153	A	3/1997	Homberg	
5,660,797	A *	8/1997	Jarvimaki	422/525
D384,418	S	9/1997	Torti et al.	
5,700,959	A	12/1997	Homberg	
5,849,248	A	12/1998	Homberg	
6,103,198	A	8/2000	Brophy et al.	
D439,986	S	4/2001	Petrek	
D461,904	S	8/2002	Petrek	
D465,844	S	11/2002	Anderson et al.	
6,566,145	B2	5/2003	Brewer	
6,596,240	B2	7/2003	Taggart et al.	
D487,593	S	3/2004	Sarna	
7,335,337	B1	2/2008	Smith	
7,794,664	B2 *	9/2010	Pelletier et al.	422/400
8,105,555	B2 *	1/2012	Lahti	422/526
D663,042	S *	7/2012	Motadel et al.	D24/222
2005/0255005	A1	11/2005	Motadel	
2006/0171851	A1	8/2006	Motadel	
2006/0177352	A1 *	8/2006	Ziegmann et al.	422/100
2007/0017870	A1	1/2007	Belov	
2007/0231215	A1	10/2007	Mototsu et al.	
2010/0218622	A1	9/2010	Motadel	
2010/0221151	A1	9/2010	Motadel et al.	
2011/0183433	A1	7/2011	Motadel	
2011/0259443	A1	10/2011	Preschutti et al.	

FOREIGN PATENT DOCUMENTS

EP	1236030	5/2001
EP	1110613	6/2001

EP	2140941	1/2010
JP	08-266913	10/1996
RU	2144158	1/2000
WO	WO 01/036933	5/2001
WO	WO 2006/093925	9/2006
WO	WO 2010/081107	7/2010
WO	WO 2011/091308	7/2011

OTHER PUBLICATIONS

Corning Deck Works Pipette Tips, Product Brochure 2010.
 Fluid X, Product page for EZ load pipetting heads printed from the internet on Oct. 19, 2011 from http://www.fluidx.co.uk/html/ez_load_head.html.
 Sorenson BioScience, Inc. Liquid Handling Products, VWR 2008 Catalog.
 Sorenson low binding aerosol barrier tips, MicroReach Guard, capacity 10ul. Catalog No. Z719390, Sigma-Aldrich Co. 2010 Catalog, Printed from the internet on Sep. 9, 2010.
 International Search Report and Written Opinion mailed on: Oct. 28, 2011 in International Application No. PCT/US2011/022129 filed on Jan. 21, 2011 and published as: WO 2011/091308 on: Jul. 28, 2011.
 Office Action mailed on: Jul. 11, 2012 in U.S. Appl. No. 12/685,590, filed Jan. 11, 2010.
 Office Action mailed on: Jan. 10, 2012 in U.S. Appl. No. 12/685,590 filed Jan. 11, 2010.
 International Search Report and Written Opinion mailed on: Aug. 25, 2010 in International Application No. PCT/US2010/020666 filed on Jan. 11, 2010 and published as: WO 10/081107 on: Jul. 15, 2010.
 International Preliminary Report on Patentability mailed on: Jul. 21, 2011 in International Application No. PCT/US2010/020666 filed on Jan. 11, 2010 and published as: WO 10/081107 on: Jul. 15, 2010.

* cited by examiner

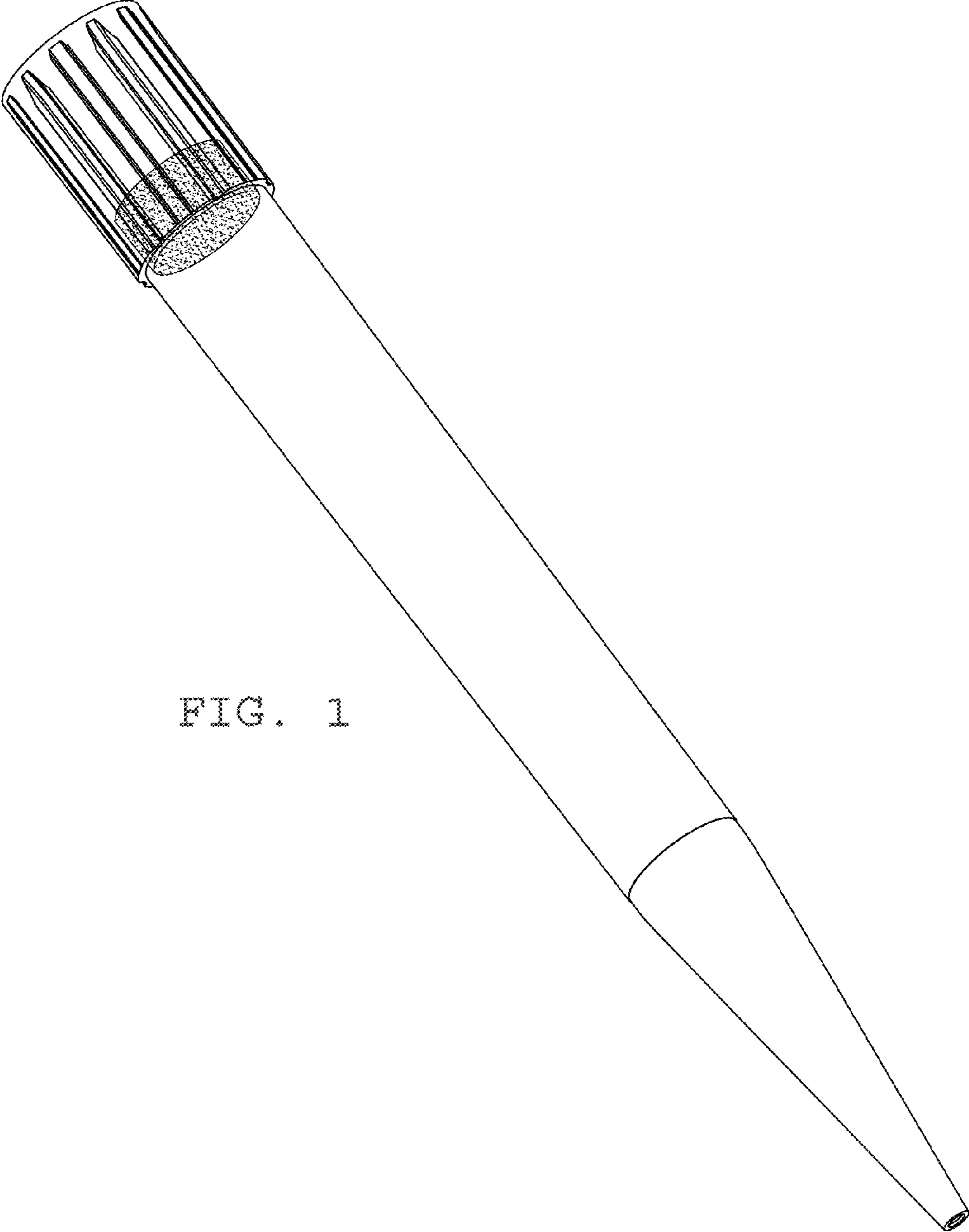


FIG. 1

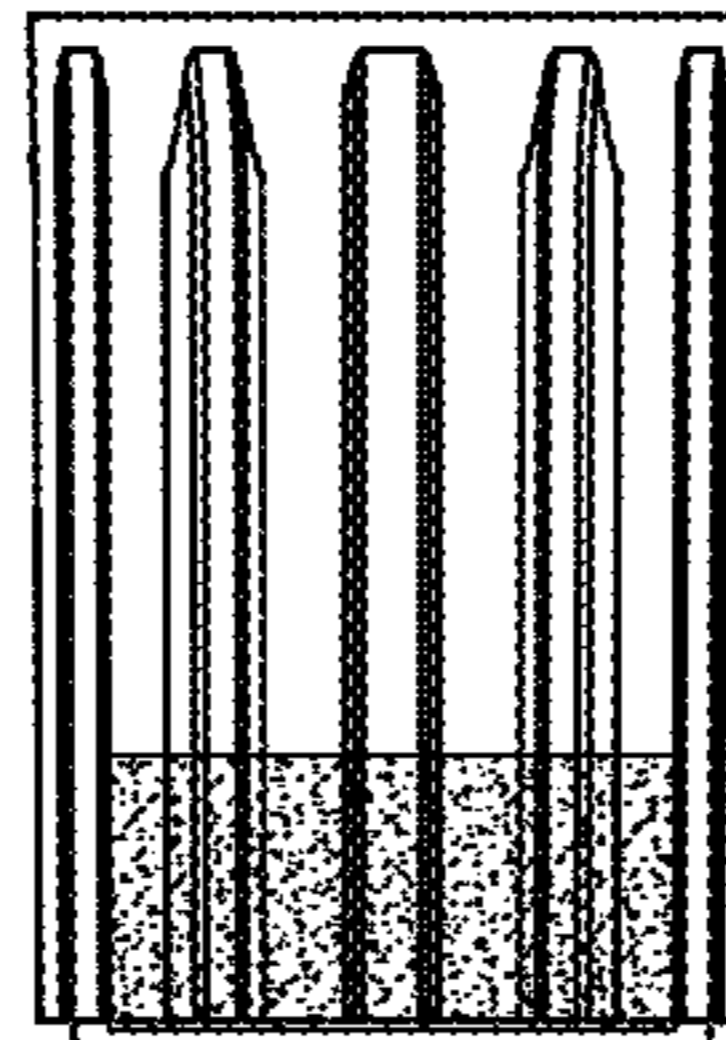


FIG. 2

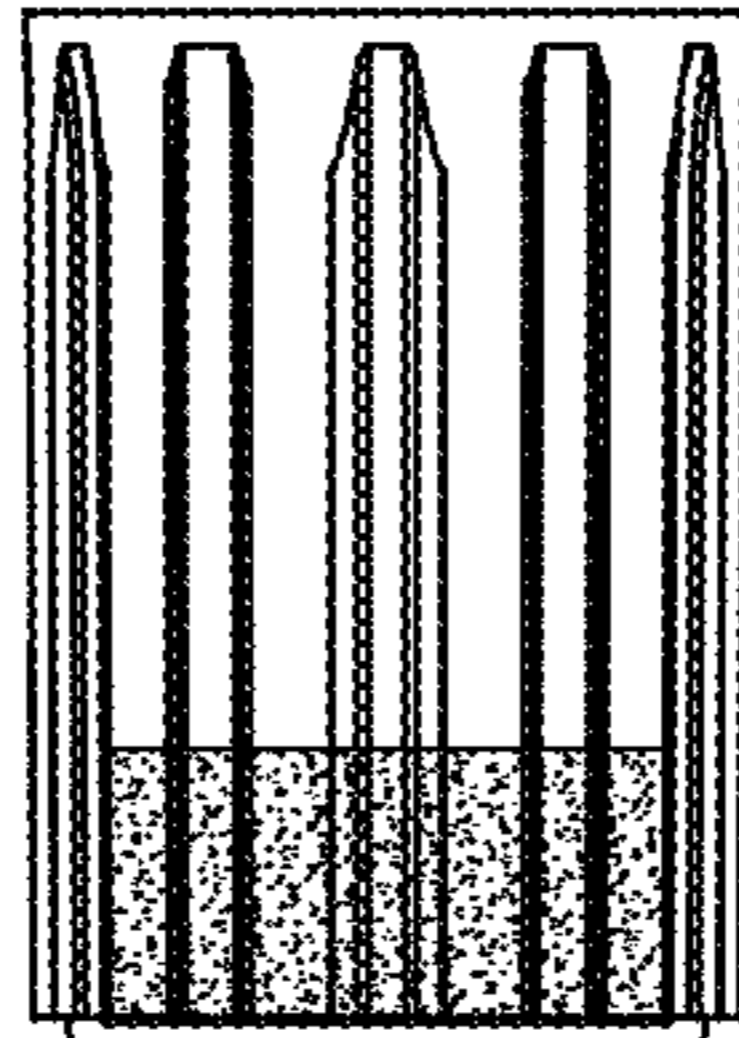


FIG. 3

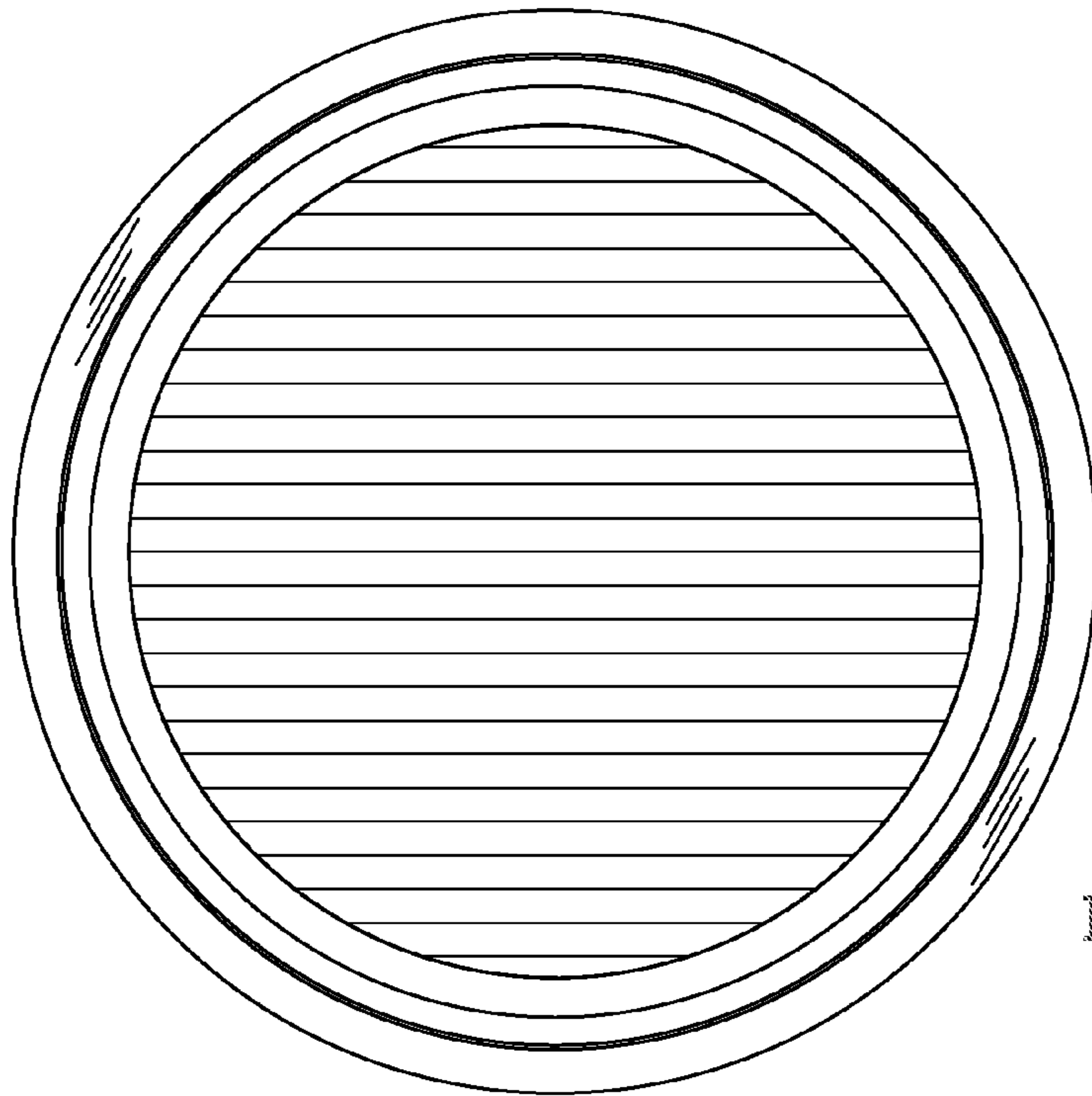


FIG. 4

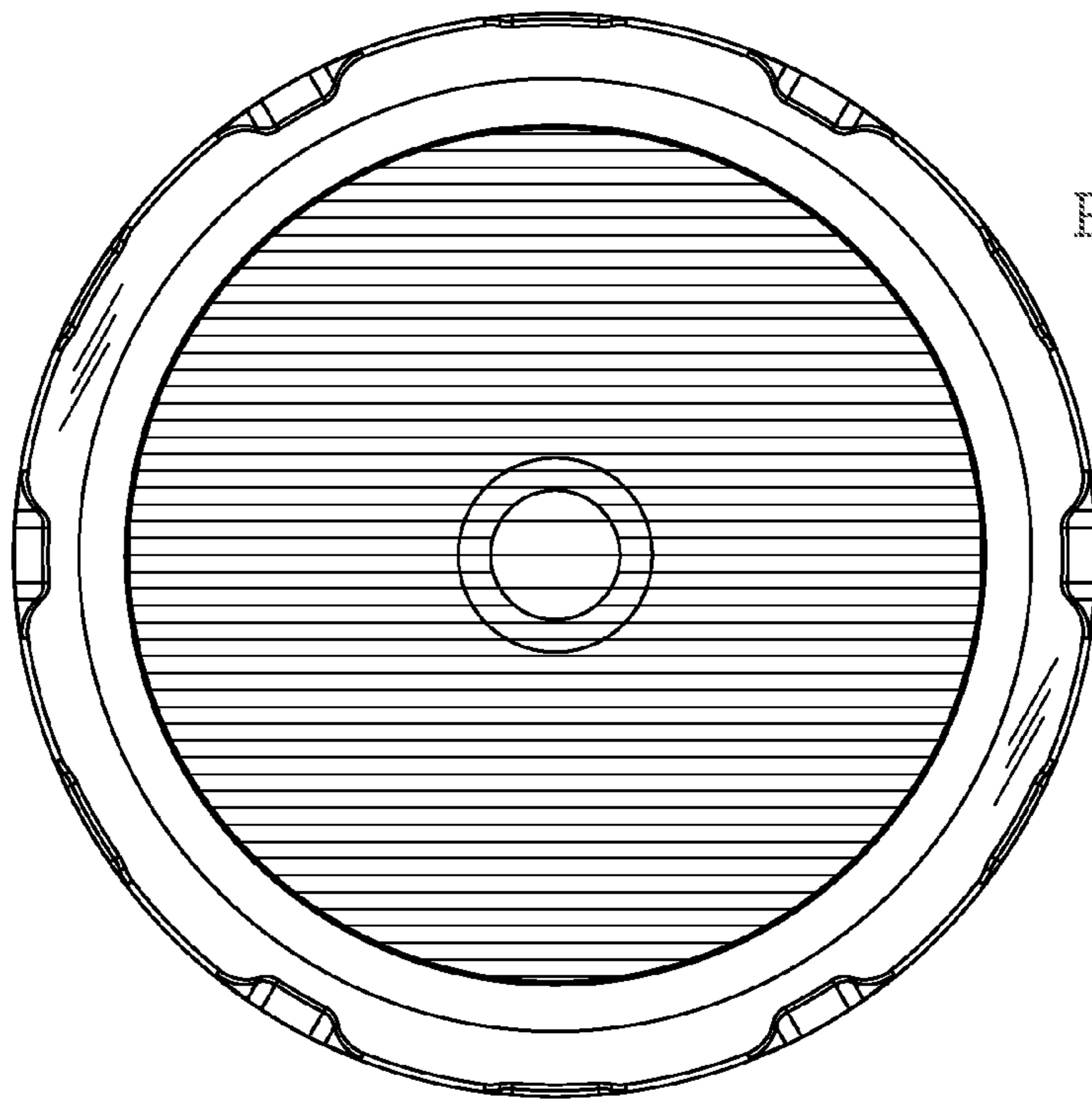
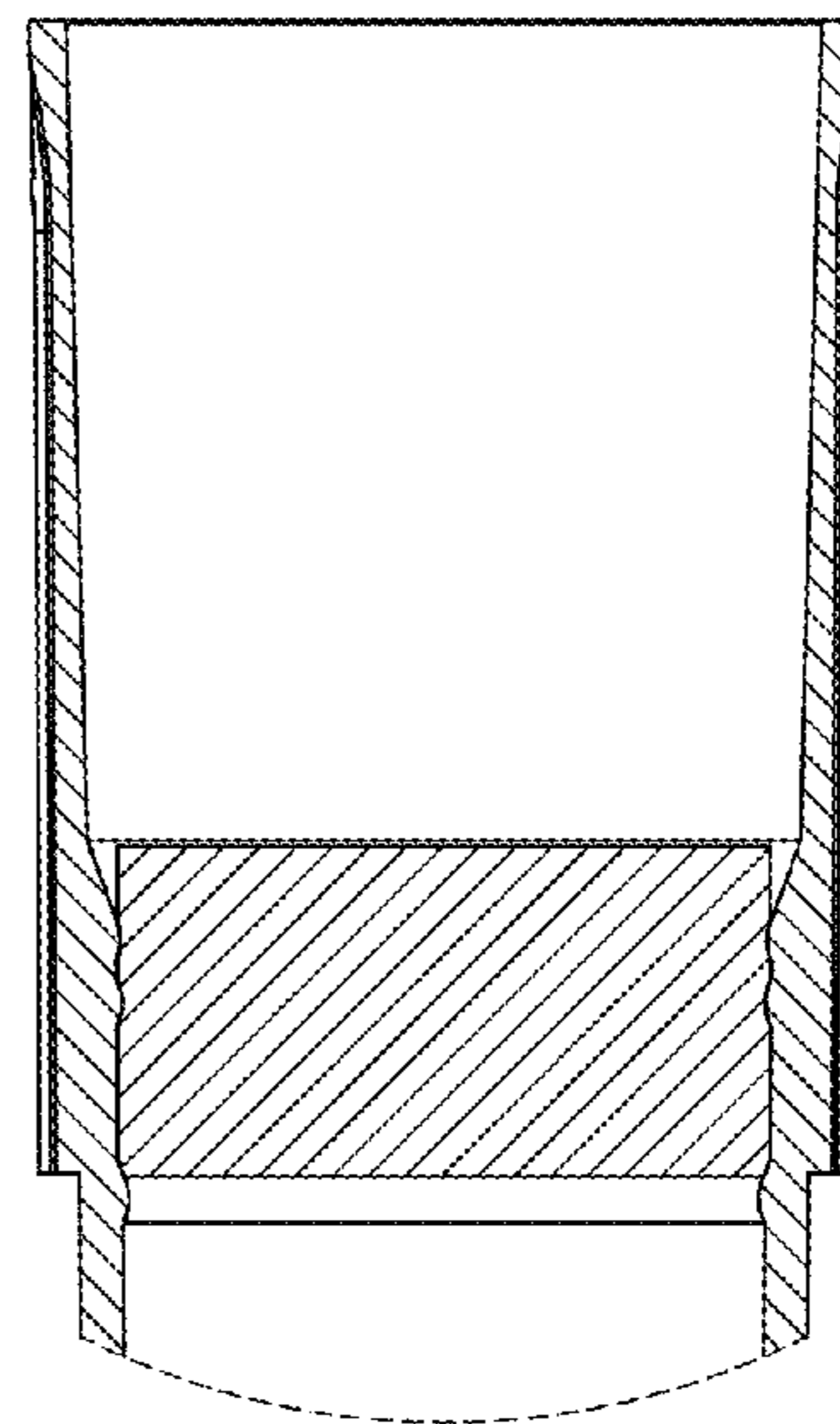
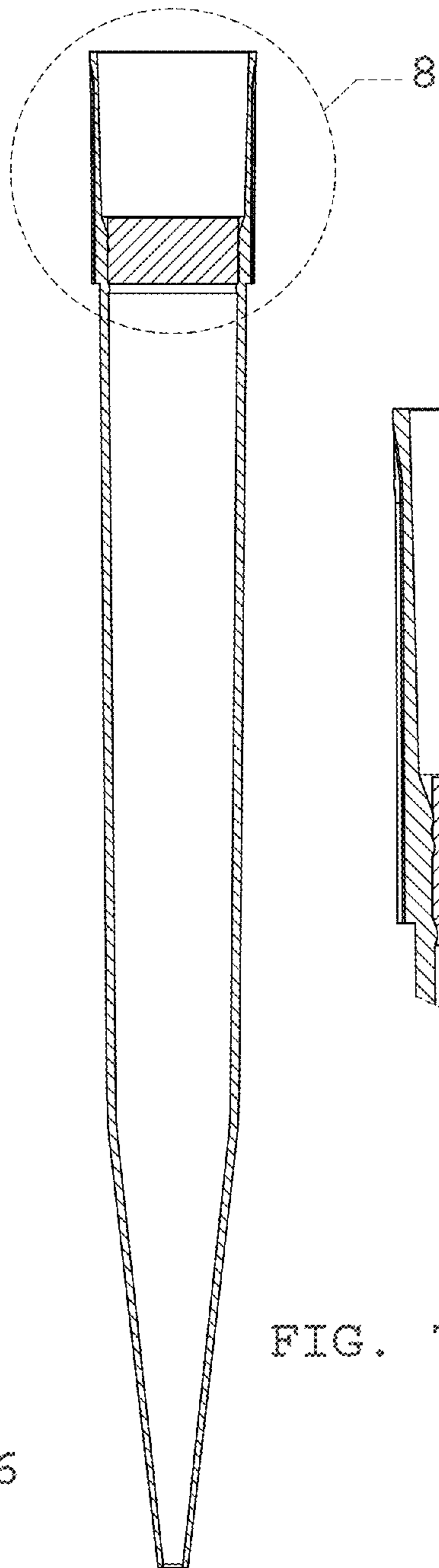
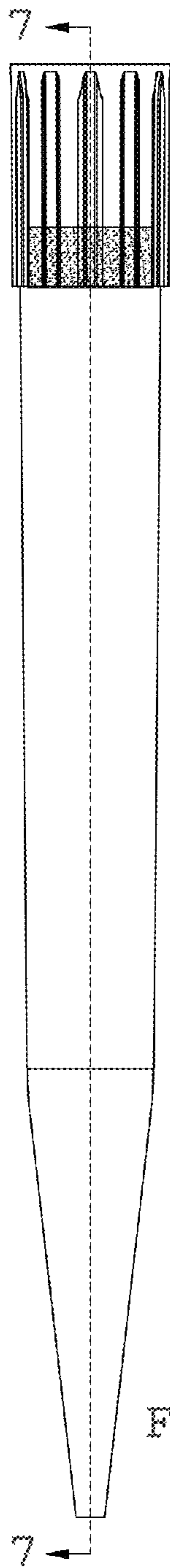


FIG. 5



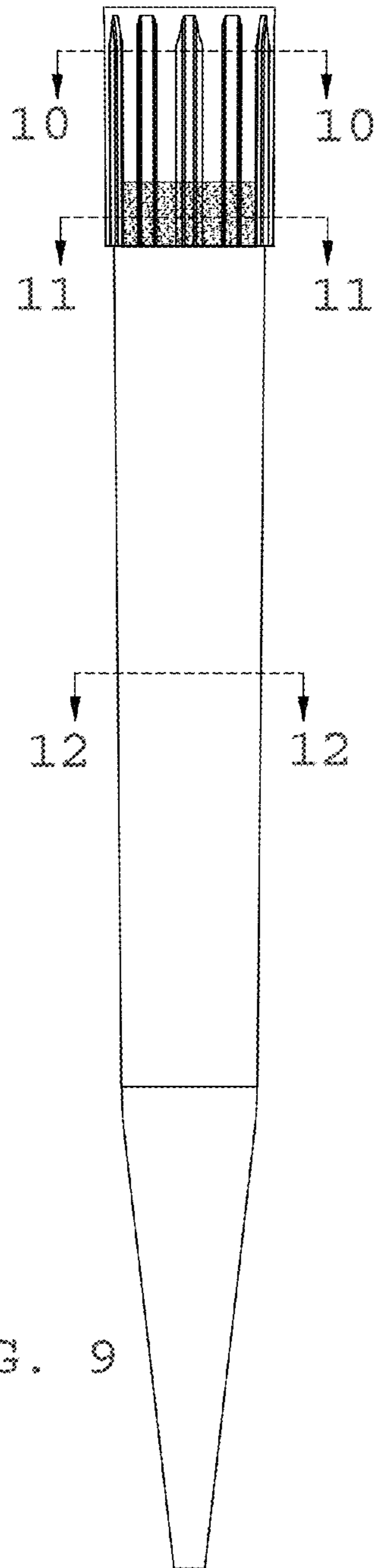


FIG. 9

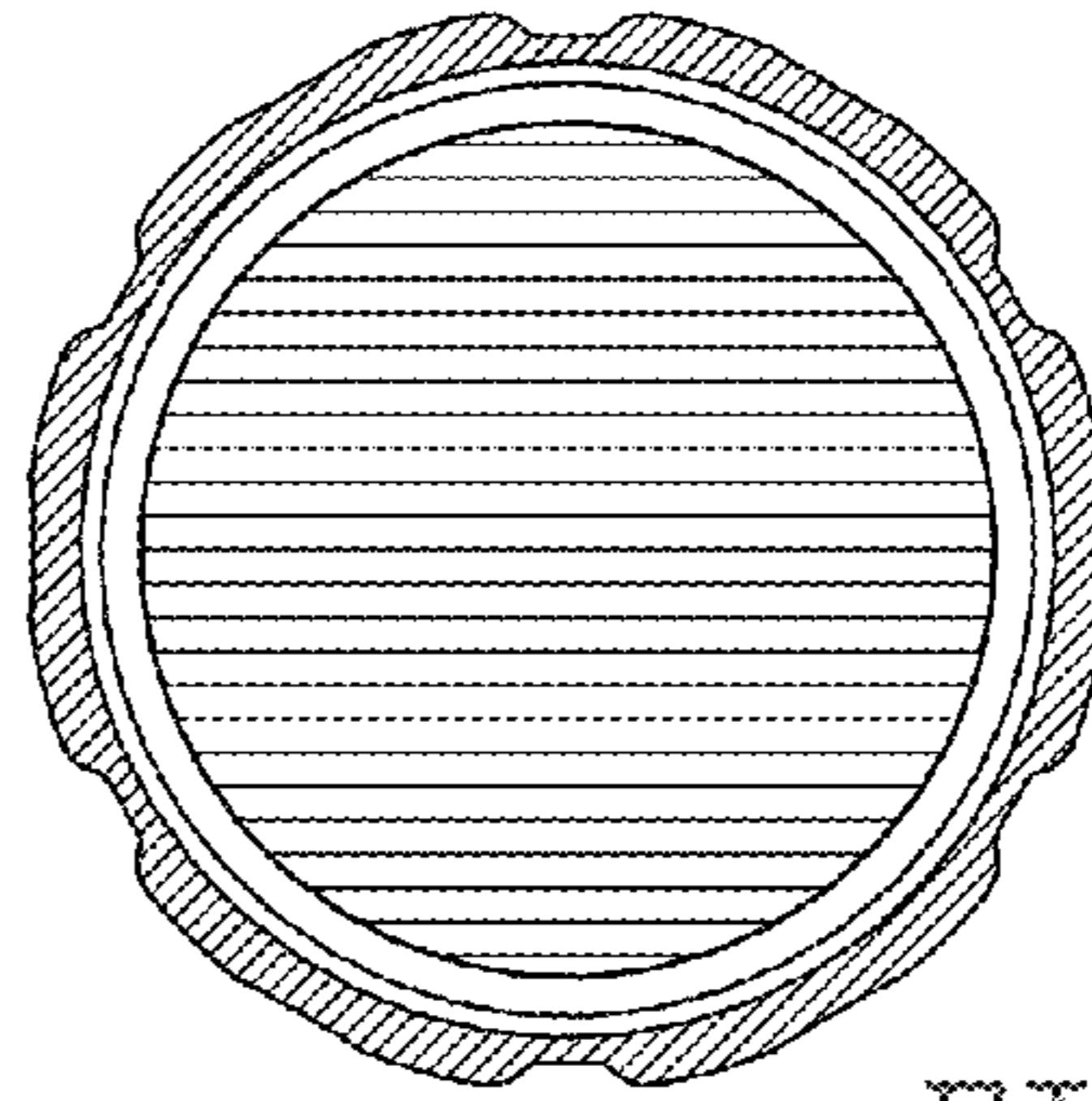


FIG. 10

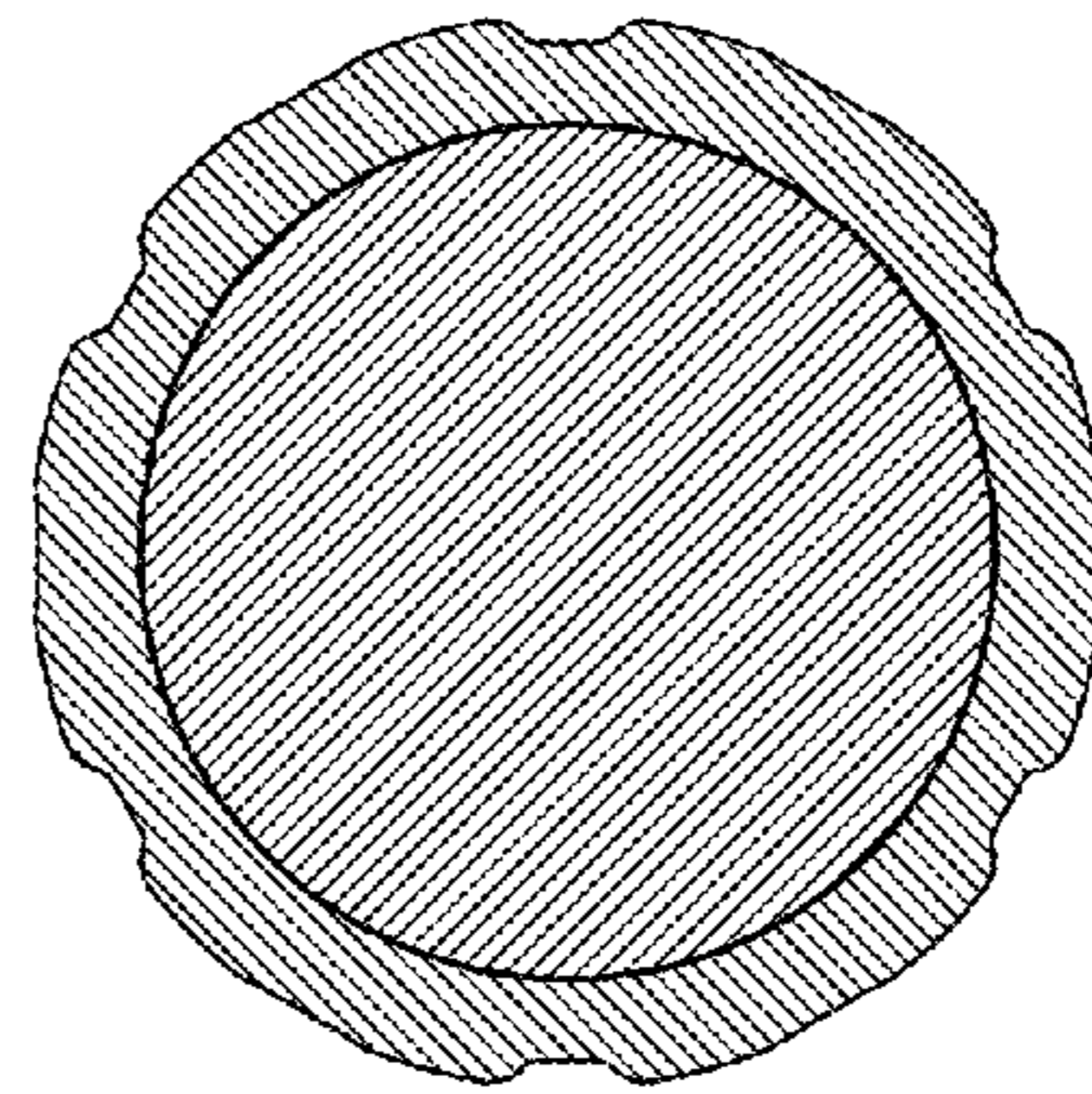


FIG. 11

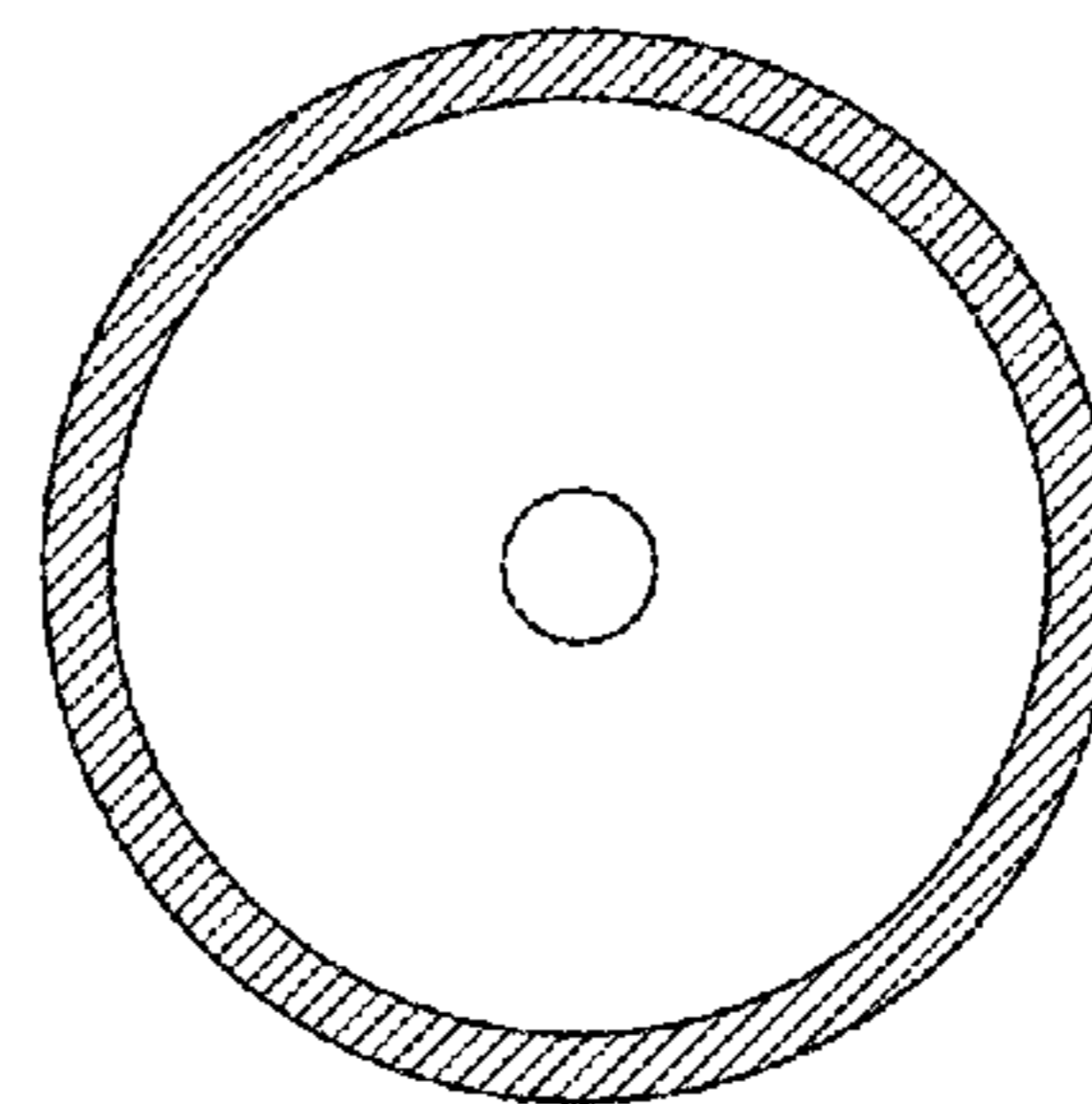


FIG. 12