



US00D687561S

(12) **United States Design Patent**
Iseki

(10) **Patent No.:** **US D687,561 S**

(45) **Date of Patent:** **** Aug. 6, 2013**

(54) **FLOW CYTOMETER**

(75) Inventor: **Daisuke Iseki**, Tokyo (JP)

(73) Assignee: **Sony Corporation**, Tokyo (JP)

(**) Term: **14 Years**

(21) Appl. No.: **29/421,115**

(22) Filed: **May 24, 2012**

(51) **LOC (9) Cl.** **24-01**

(52) **U.S. Cl.**
USPC **D24/216**

(58) **Field of Classification Search**
USPC D24/216, 217, 219, 223–226, 231,
D24/232, 107, 169, 186; D10/81, 96, 97;
422/500, 547, 62–65, 67; 435/287.1, 287.3;
436/43, 45, 47

See application file for complete search history.

(56) **References Cited**

U.S. PATENT DOCUMENTS

- D456,523 S * 4/2002 Waluszko et al. D24/216
- D542,931 S * 5/2007 Pukall et al. D24/232
- 7,580,120 B2 * 8/2009 Hamada et al. 356/73
- D599,234 S * 9/2009 Ito D10/81

- D631,976 S * 2/2011 Oonuma et al. D24/216
- D637,931 S * 5/2011 Kimura et al. D10/81
- D646,398 S * 10/2011 Oonuma et al. D24/232
- D670,401 S * 11/2012 Tsuda et al. D24/216
- 2003/0170145 A1 * 9/2003 Smith et al. 422/68.1

* cited by examiner

Primary Examiner — Anhdao Doan

(74) *Attorney, Agent, or Firm* — Rader, Fishman & Grauer PLLC

(57) **CLAIM**

The ornamental design for a flow cytometer, as shown.

DESCRIPTION

FIG. 1 is a perspective view of a flow cytometer showing my new design;
 FIG. 2 is a front elevational view thereof;
 FIG. 3 is a rear elevational view thereof;
 FIG. 4 is a left side elevational view thereof;
 FIG. 5 is a right side elevational view thereof;
 FIG. 6 is a top plan view thereof; and,
 FIG. 7 is a bottom plan view thereof.
 Portions shown as broken lines are for illustrative purpose only and form no part of the claimed design.

1 Claim, 7 Drawing Sheets

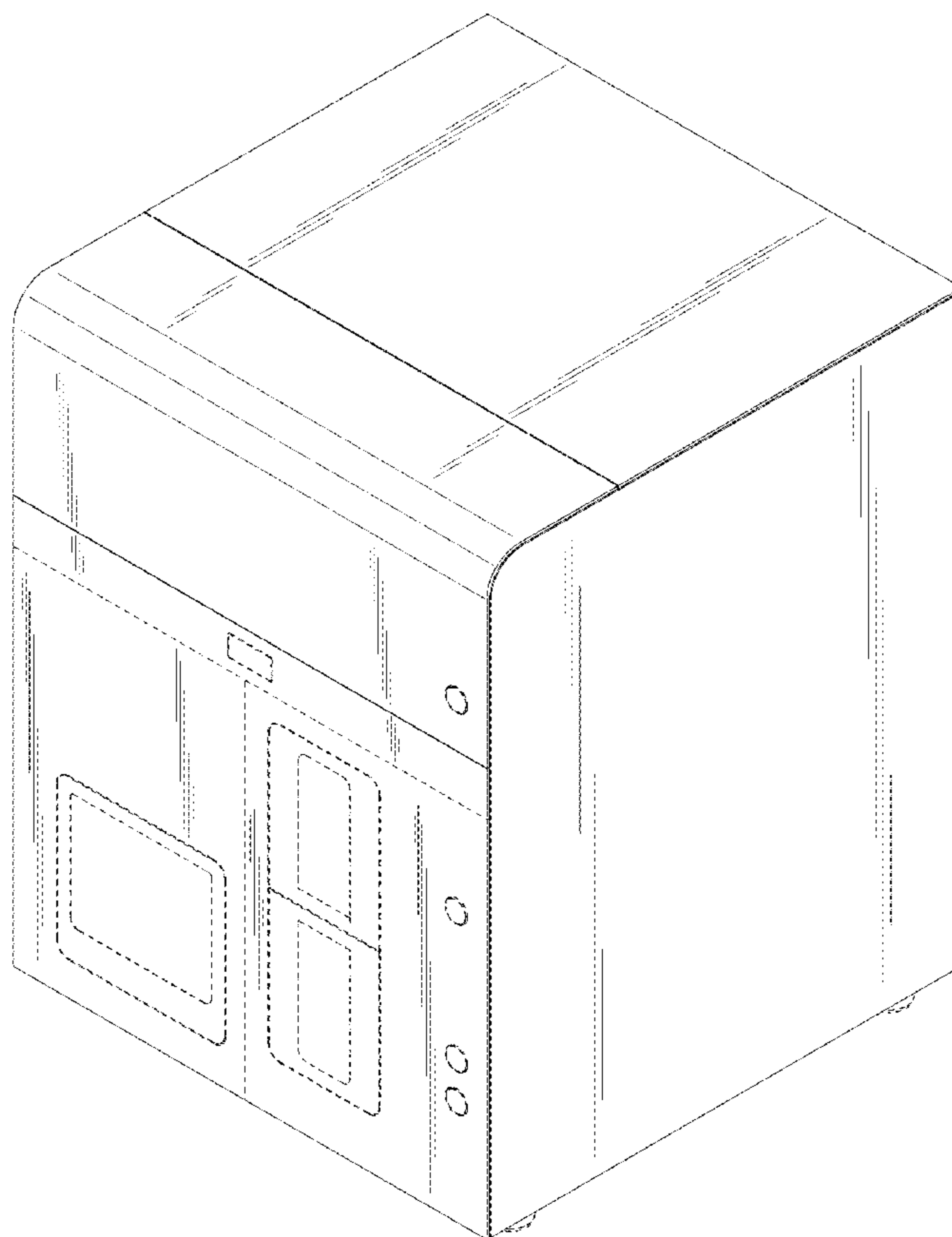


FIG. 1

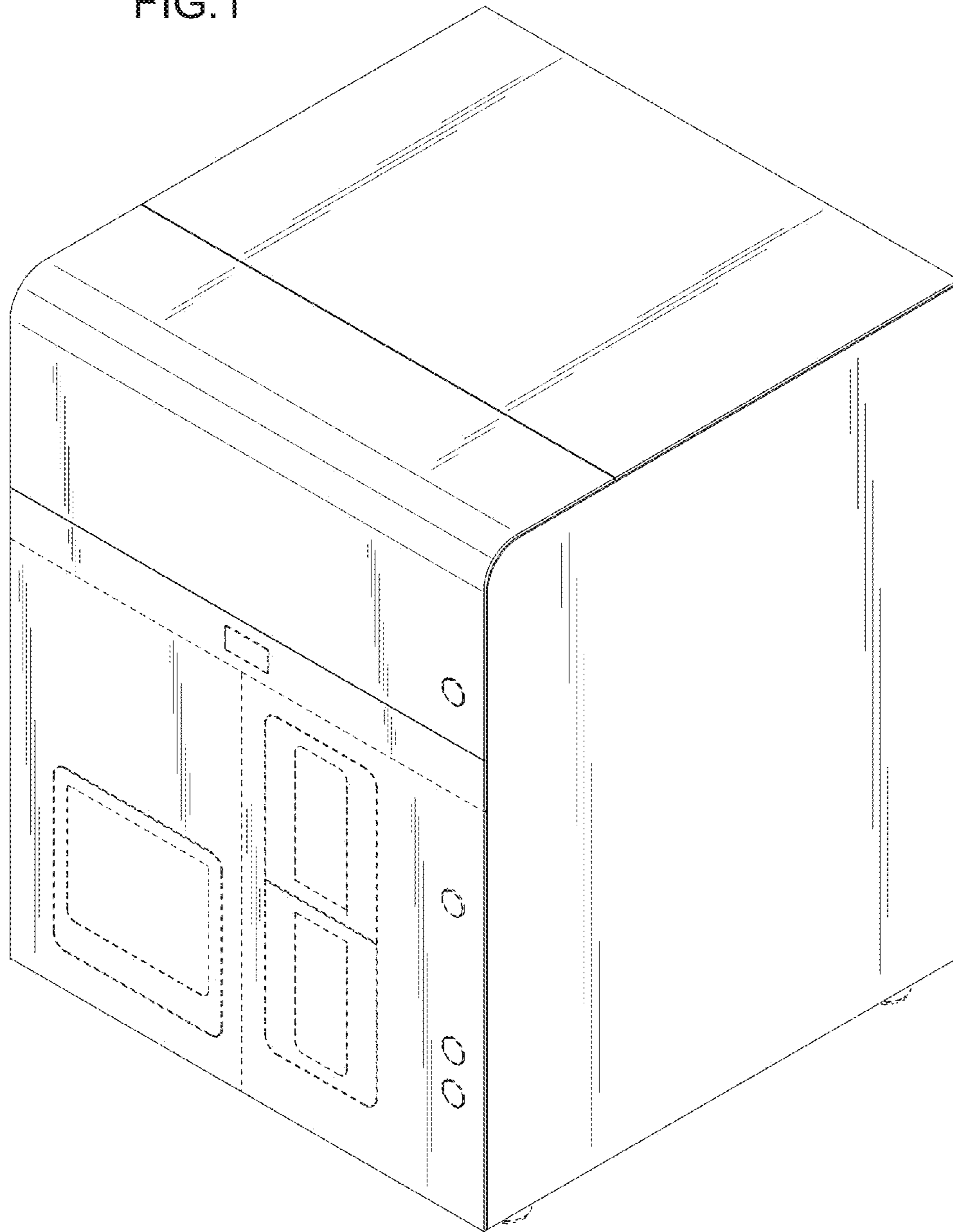


FIG.2

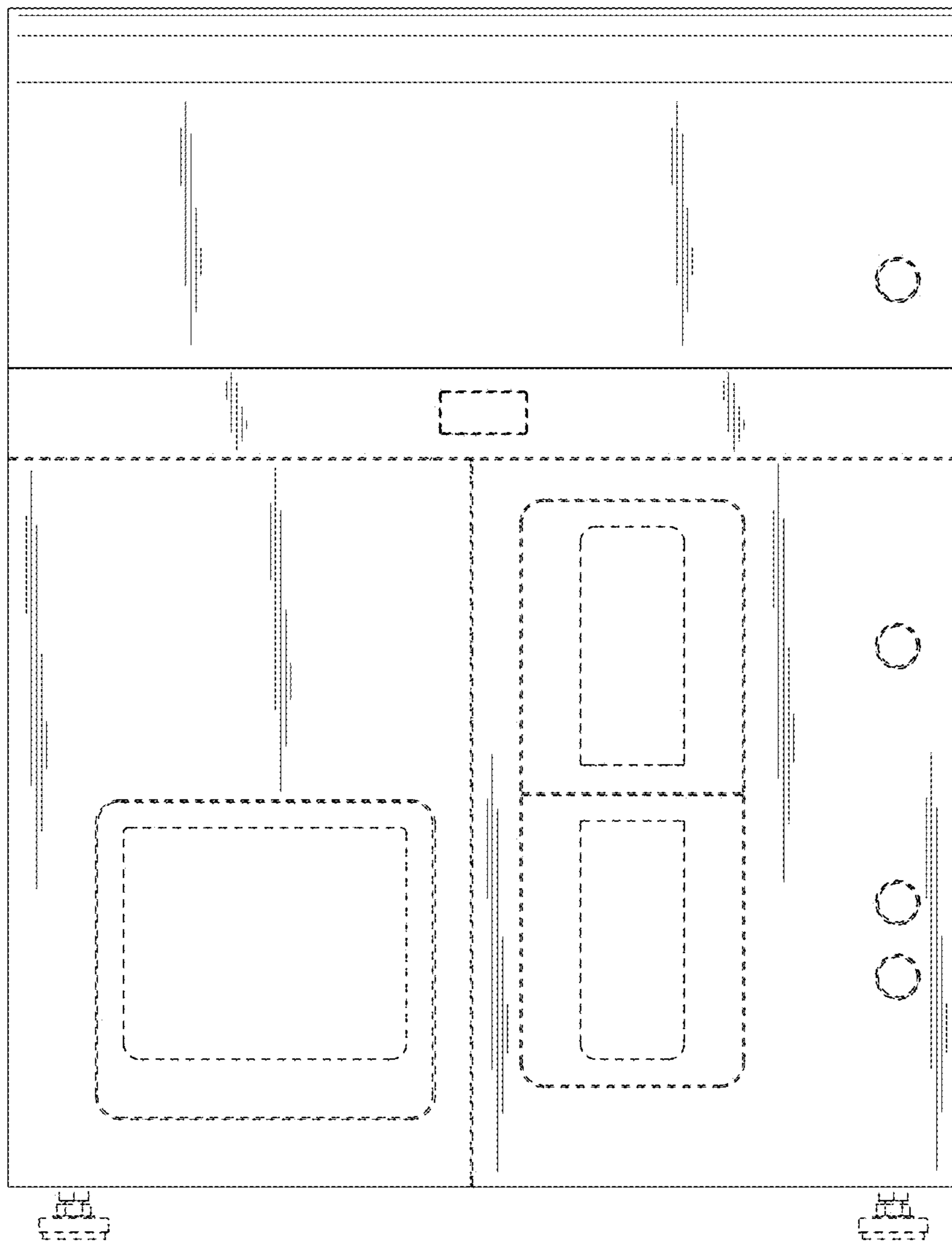


FIG.3

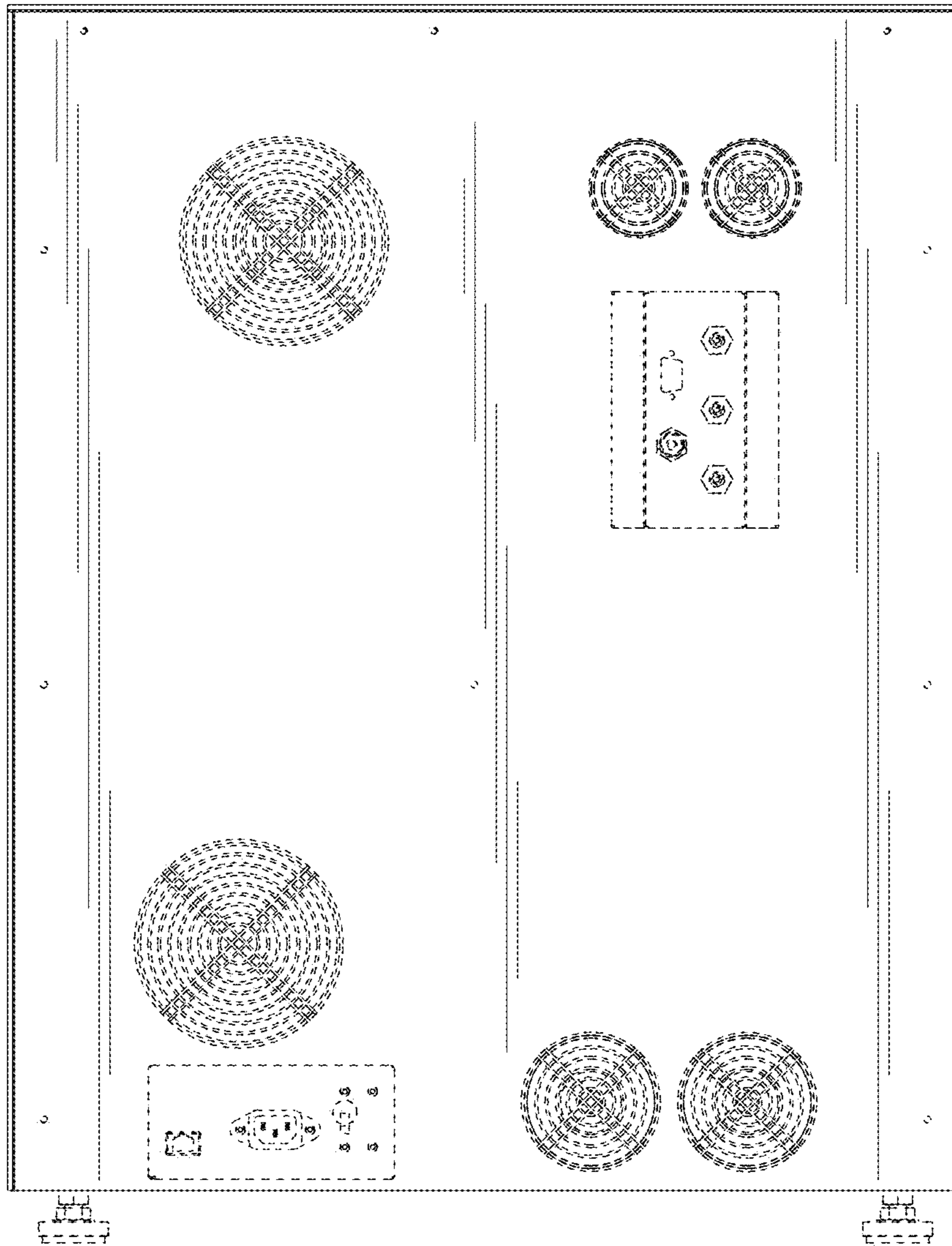


FIG.4

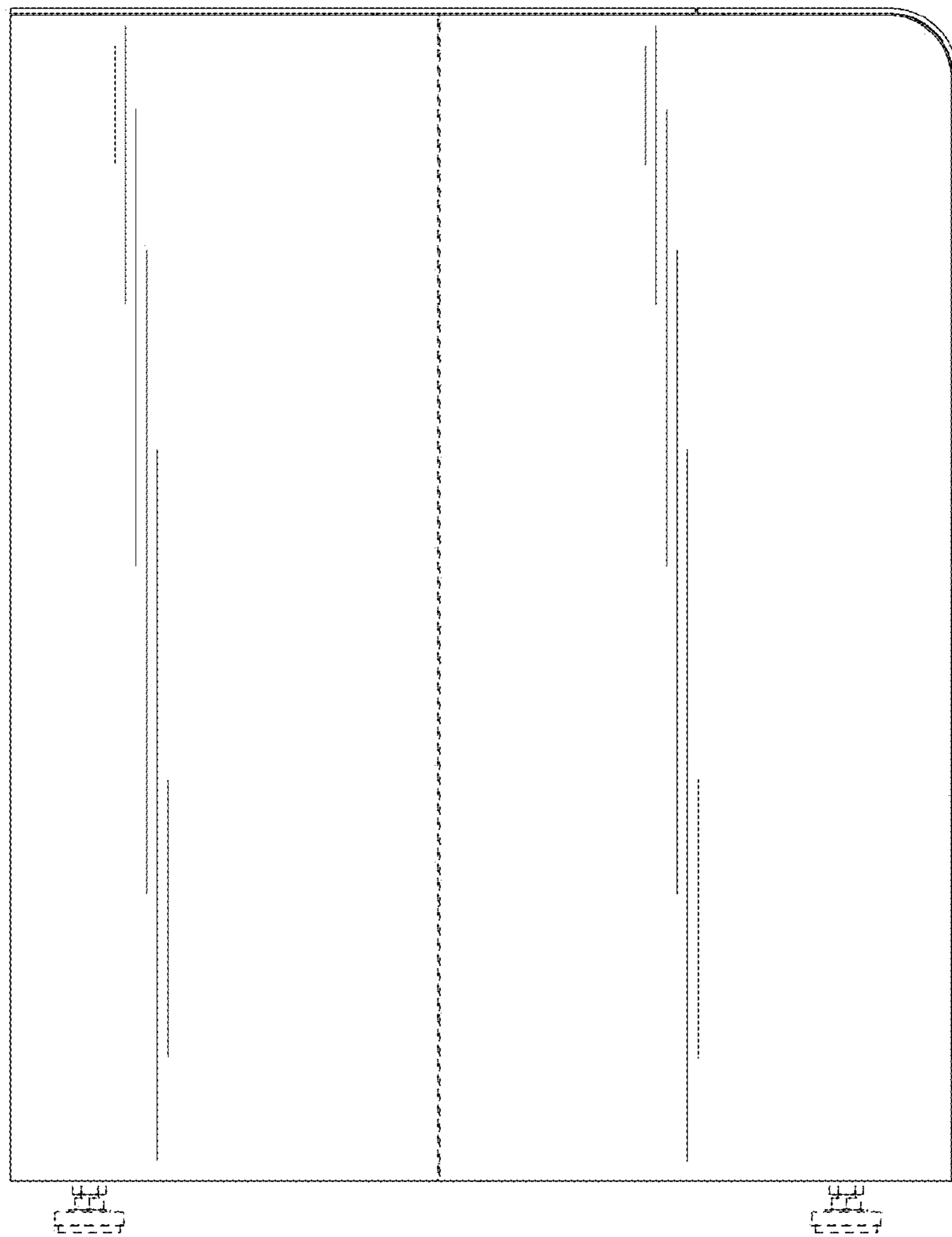


FIG.5

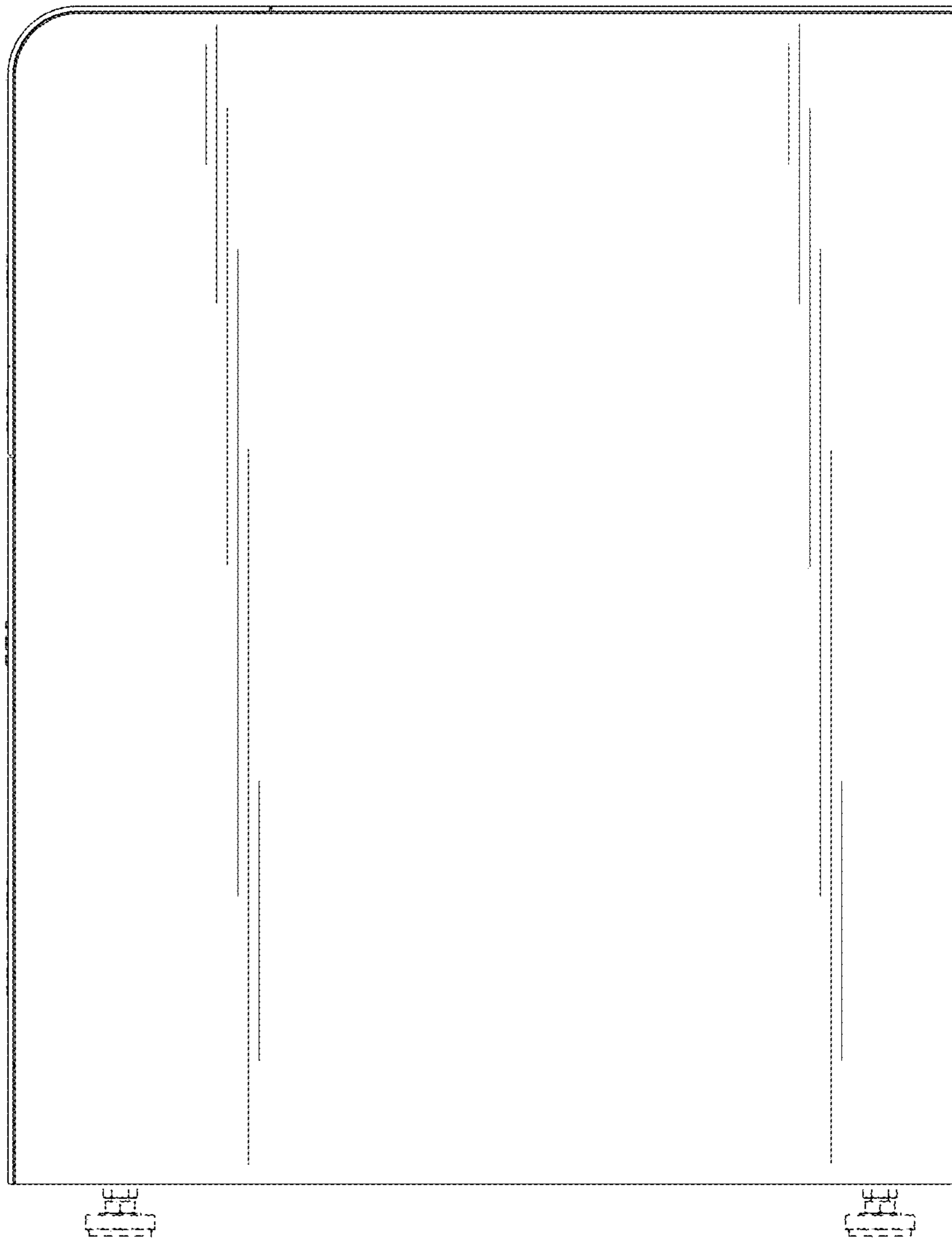


FIG.6

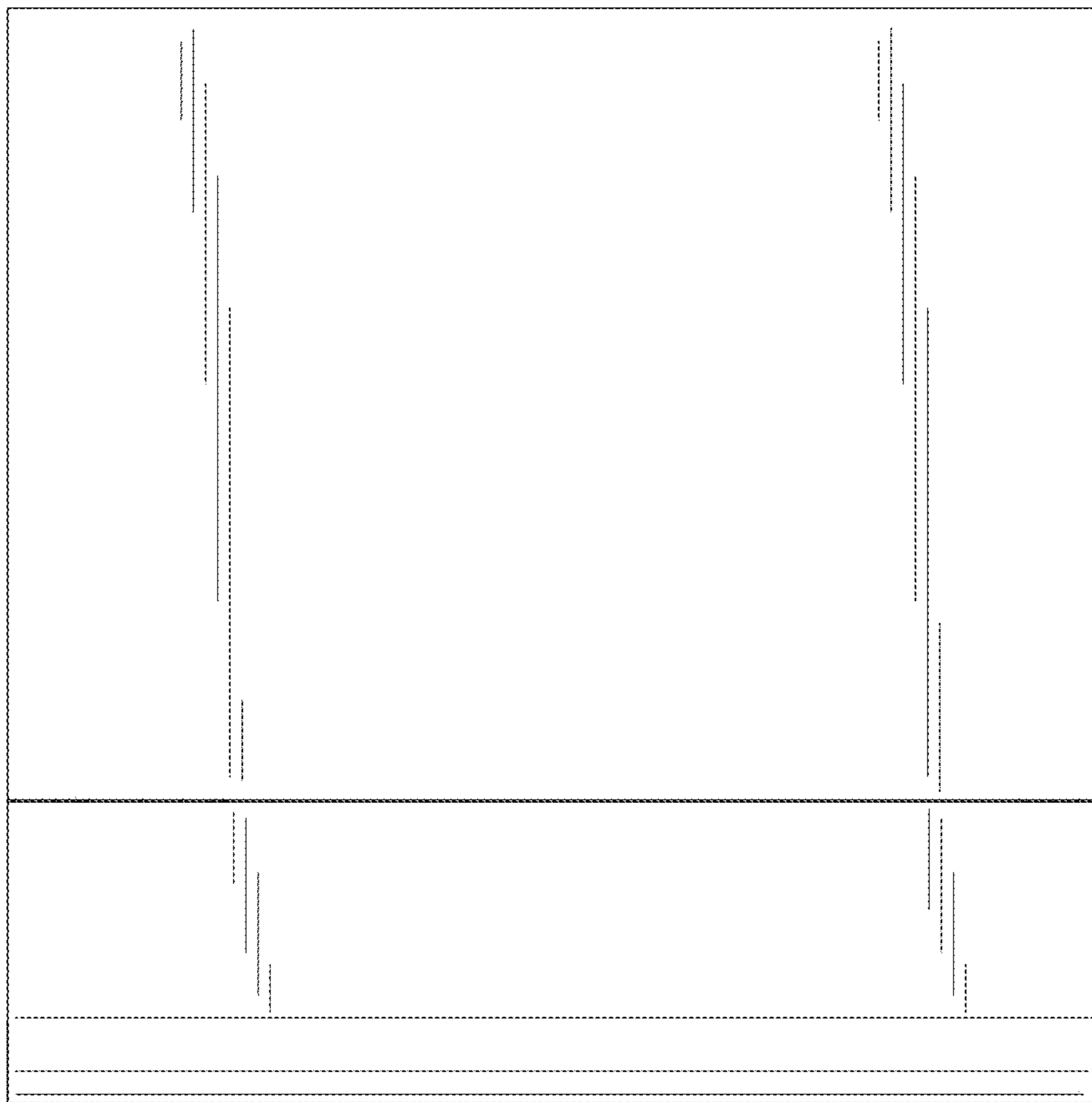


FIG.7

