



US00D687555S

(12) **United States Design Patent**  
**Peterson et al.**

(10) **Patent No.:** **US D687,555 S**  
(45) **Date of Patent:** **\*\* Aug. 6, 2013**

- (54) **DRESSING DEVICE**
- (71) Applicant: **3M Innovative Properties Company**,  
Saint Paul, MN (US)
- (72) Inventors: **Donald George Peterson**, Shoreview,  
MN (US); **Phong Van Thanh Ha**,  
Hudson, WI (US)
- (73) Assignee: **3M Innovative Properties Company**,  
Saint Paul, MN (US)
- (\*\*) Term: **14 Years**
- (21) Appl. No.: **29/432,650**
- (22) Filed: **Sep. 18, 2012**
- (51) **LOC (9) Cl.** ..... **24-04**
- (52) **U.S. Cl.**  
USPC ..... **D24/189**
- (58) **Field of Classification Search**  
USPC ..... D24/128, 130, 188-189; 604/179-180,  
604/187, 227; 602/58-59; 128/DIG. 26  
See application file for complete search history.

D454,955 S *	3/2002	Dunshee et al. ....	D24/189
D503,982 S *	4/2005	Liedtke et al. ....	D24/189
D511,005 S *	10/2005	Liedtke et al. ....	D24/189
D516,729 S *	3/2006	Liedtke et al. ....	D24/189
D545,440 S *	6/2007	Jensen .....	D24/189
D572,824 S *	7/2008	Propp .....	D24/189
D620,123 S *	7/2010	Igwebuike .....	D24/189
D672,464 S *	12/2012	Holm et al. ....	D24/189
D679,402 S *	4/2013	Conrad-Vlasak et al. ...	D24/189
D679,403 S *	4/2013	Heinecke et al. ....	D24/189
D683,858 S *	6/2013	Smith .....	D24/189

\* cited by examiner

*Primary Examiner* — T. Chase Nelson  
*Assistant Examiner* — Michelle E Wilson  
(74) *Attorney, Agent, or Firm* — Trisha D. Adamson

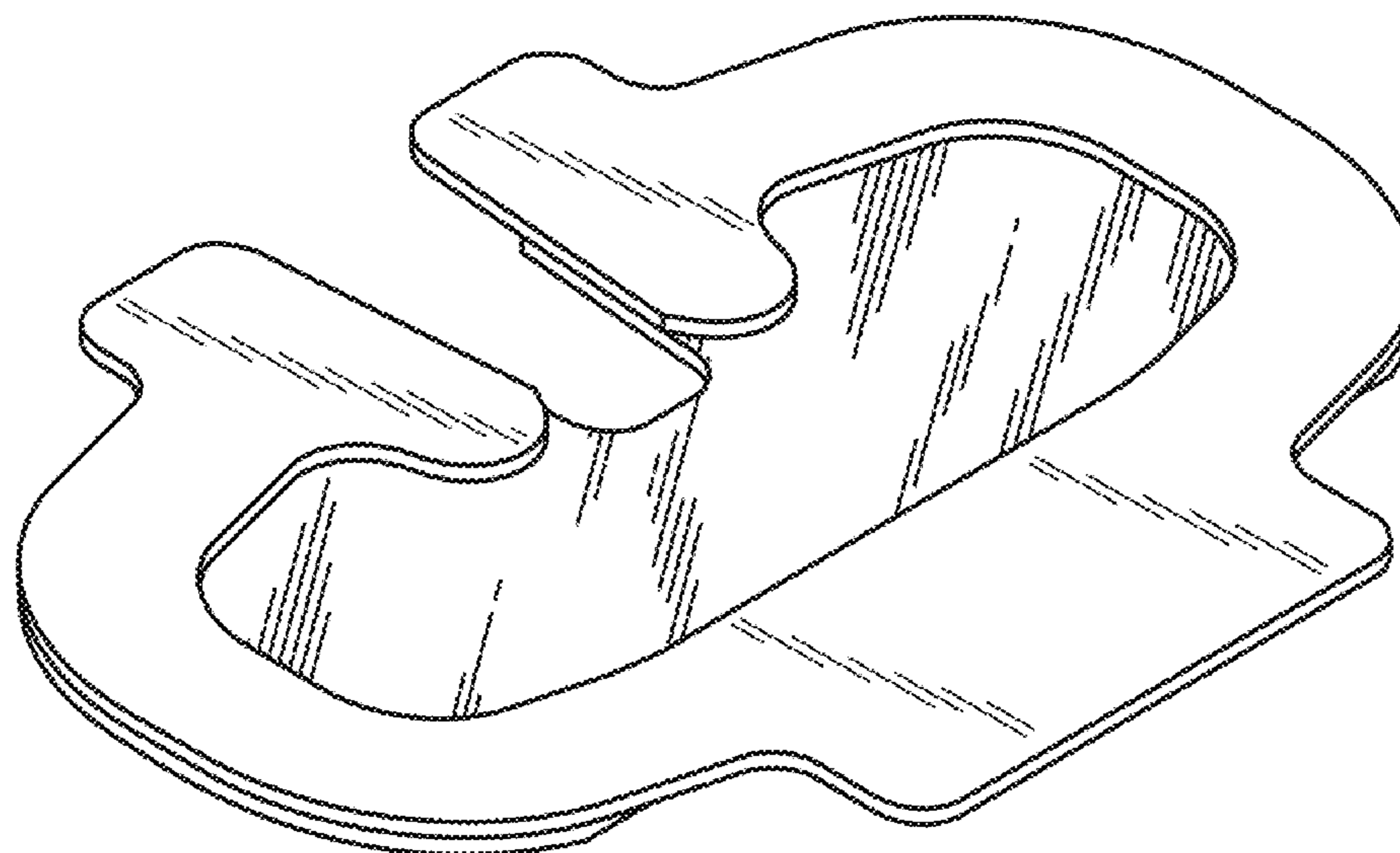
(57) **CLAIM**  
The ornamental design for a dressing device, as shown and described.

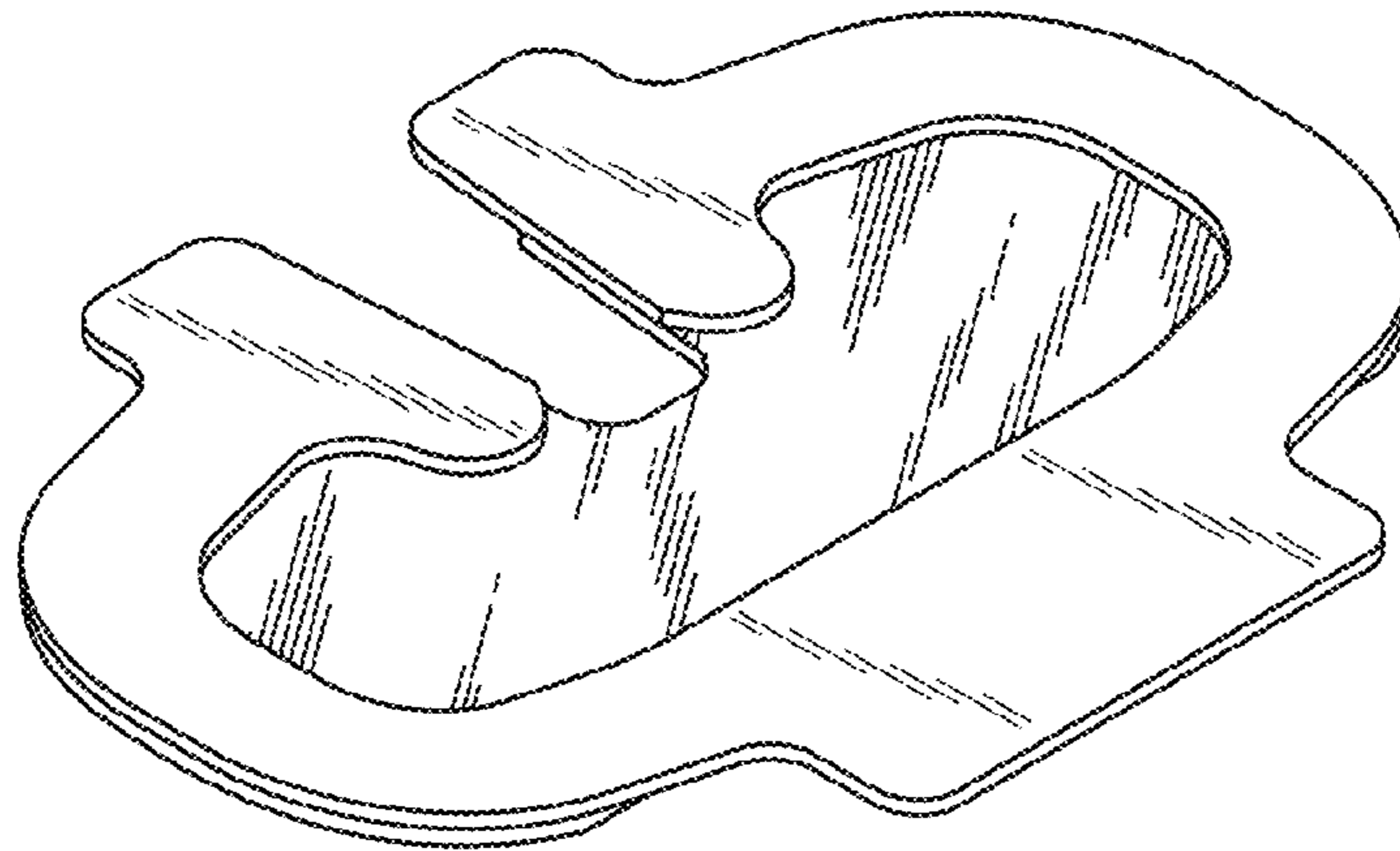
**DESCRIPTION**

FIG. 1 is a perspective view of showing the new design for a dressing device;  
FIG. 2 is a top view thereof;  
FIG. 3 is a bottom view thereof;  
FIG. 4 is a rear view thereof;  
FIG. 5 is a front view thereof; and,  
FIG. 6 is a right side view thereof, the left side view being a mirror image thereof.

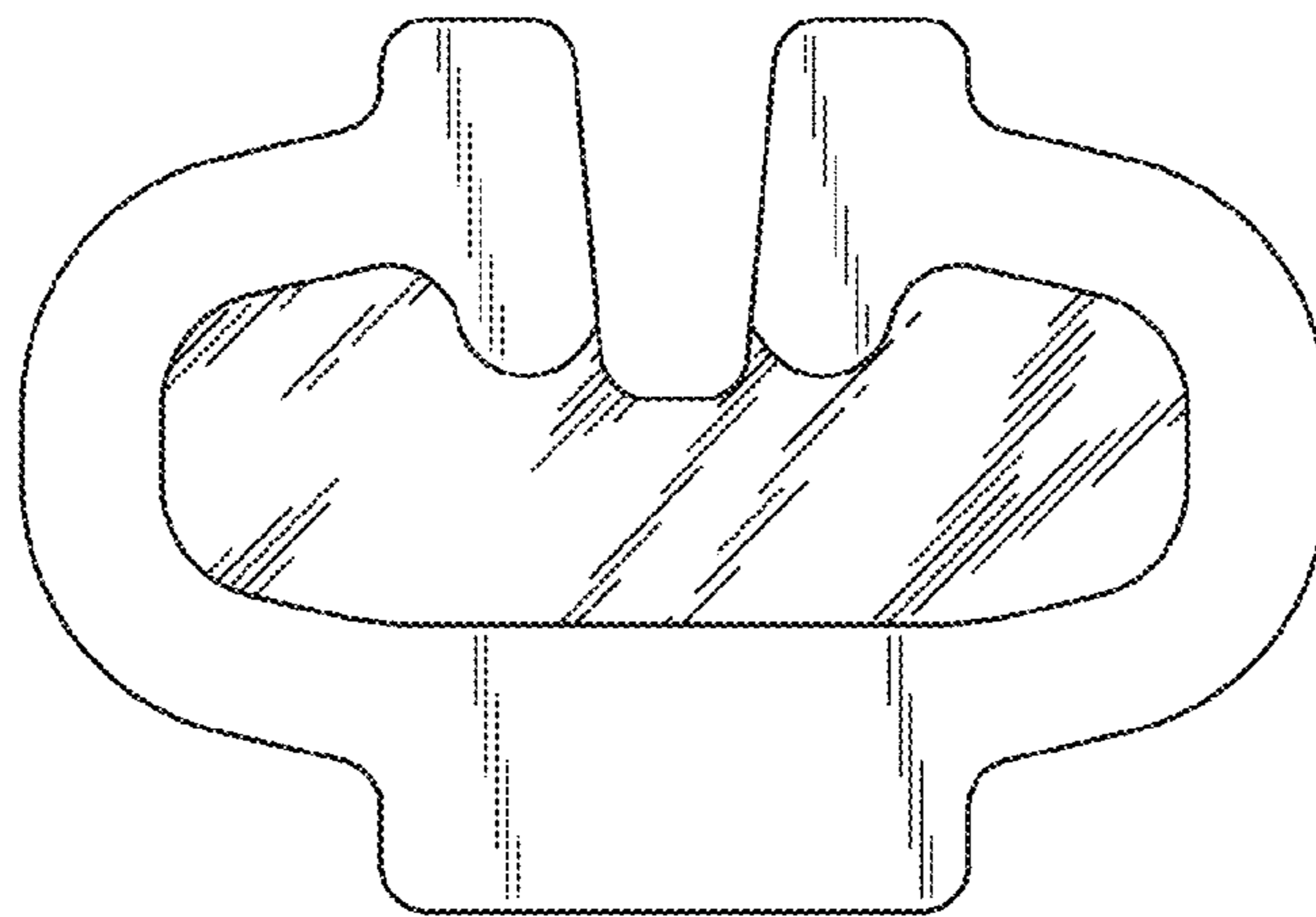
**1 Claim, 2 Drawing Sheets**

- (56) **References Cited**  
  
U.S. PATENT DOCUMENTS  
D408,541 S \* 4/1999 Dunshee et al. .... D24/189  
D409,754 S \* 5/1999 Dunshee et al. .... D24/189  
D430,674 S \* 9/2000 Dunshee et al. .... D24/189

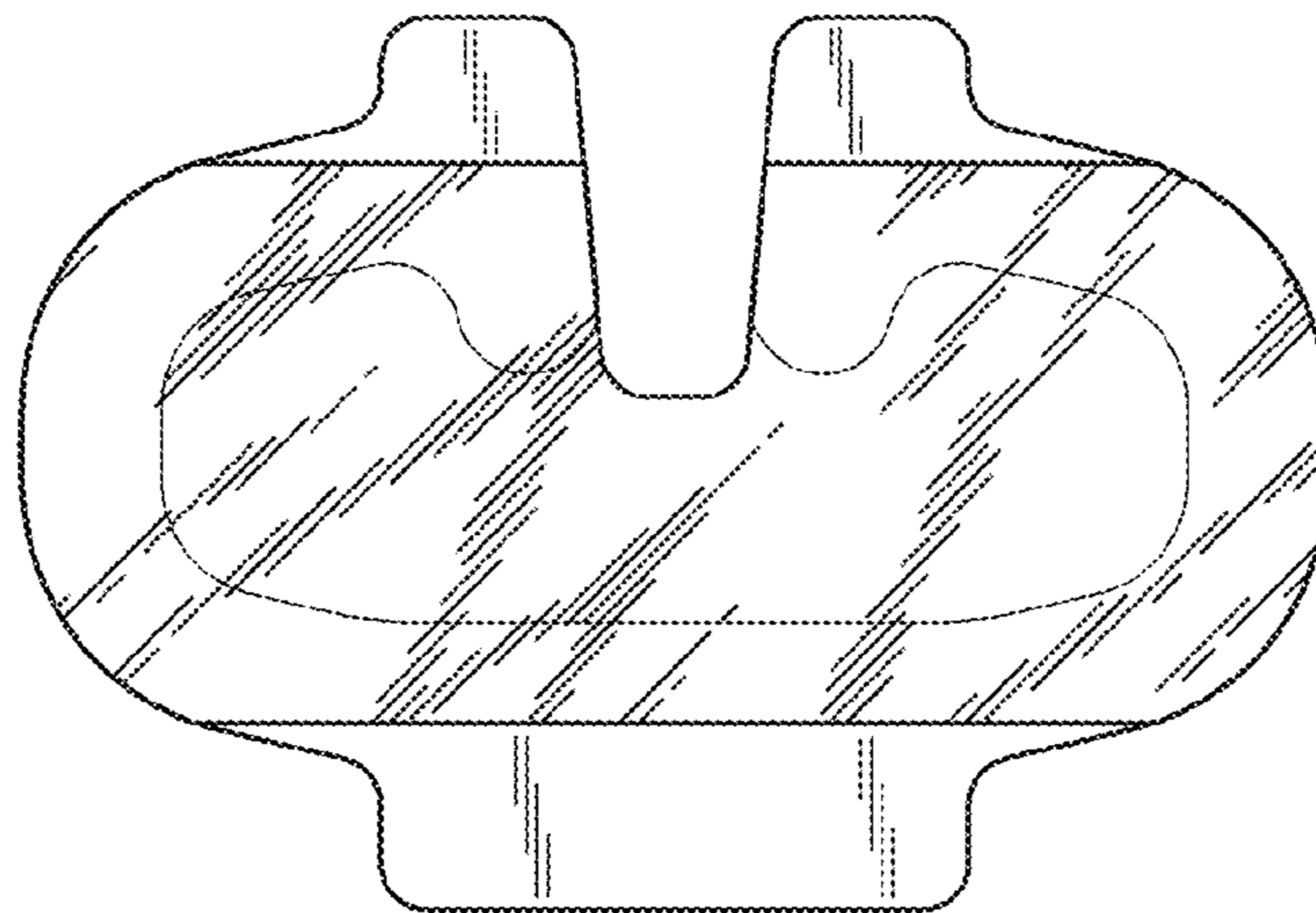




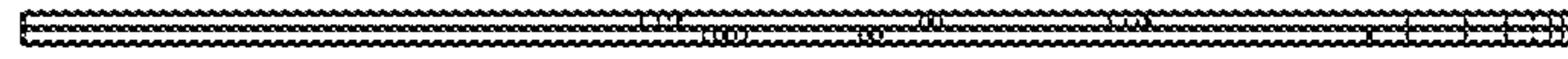
*Fig. 1*



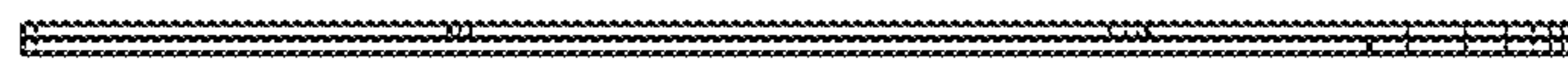
*Fig. 2*



*Fig. 3*



*Fig. 4*



*Fig. 5*



*Fig. 6*