

US00D687554S

(12) **United States Design Patent**  
**Kooiman**

(10) **Patent No.:** **US D687,554 S**

(45) **Date of Patent:** **\*\* Aug. 6, 2013**

(54) **ADJUST BRACKET**

(76) Inventor: **Johan Anton Kooiman**, Gouda (NL)

(\*\*) Term: **14 Years**

(21) Appl. No.: **29/401,209**

(22) Filed: **Sep. 8, 2011**

(51) **LOC (9) Cl.** ..... **24-99**

(52) **U.S. Cl.**  
USPC ..... **D24/180**

(58) **Field of Classification Search**  
USPC ..... D24/180, 155, 156, 176; D8/349,  
D8/354; 433/2-24  
See application file for complete search history.

(56) **References Cited**

U.S. PATENT DOCUMENTS

D195,296	S *	5/1963	Willinger	.....	D23/209
D229,480	S *	12/1973	Brushaber	.....	D8/355
4,077,126	A *	3/1978	Pletcher	.....	433/10
4,371,337	A *	2/1983	Pletcher	.....	433/10
4,427,381	A *	1/1984	Hall	.....	433/14
4,559,012	A *	12/1985	Pletcher	.....	433/10
D289,329	S *	4/1987	Evans	.....	D24/180
4,655,708	A *	4/1987	Fujita	.....	433/10
D290,040	S *	5/1987	Kelly	.....	D24/180
D291,919	S *	9/1987	Reynolds	.....	D24/180
D302,588	S *	8/1989	Jones	.....	D24/180
D303,708	S *	9/1989	Pospisil	.....	D24/180
D304,077	S *	10/1989	Pospisil	.....	D24/180
D315,957	S *	4/1991	Kelly et al.	.....	D24/180
5,039,302	A *	8/1991	Keys	.....	433/3
D322,482	S *	12/1991	Ianieri et al.	.....	D24/180
D331,975	S *	12/1992	Pospisil	.....	D24/180
D331,976	S *	12/1992	Bjork et al.	.....	D24/180
5,224,858	A *	7/1993	Hanson	.....	433/10
D339,421	S *	9/1993	Schultz	.....	D24/180
5,322,435	A *	6/1994	Pletcher	.....	433/11
D367,116	S *	2/1996	Viazis	.....	D24/180
D373,638	S *	9/1996	Colbert	.....	D24/180

5,993,207	A *	11/1999	Spencer	.....	433/18
6,139,317	A *	10/2000	Goldschmied	.....	433/14
6,257,883	B1 *	7/2001	Voudouris	.....	433/11
6,659,767	B2 *	12/2003	Abels et al.	.....	433/10
6,695,612	B2 *	2/2004	Abels et al.	.....	433/10
6,733,286	B2 *	5/2004	Abels et al.	.....	433/11
6,776,613	B2 *	8/2004	Orikasa	.....	433/11
D499,954	S *	12/2004	Brushaber	.....	D8/355
6,960,080	B2 *	11/2005	Abels et al.	.....	433/10
7,234,935	B2 *	6/2007	Abels et al.	.....	433/8
D601,260	S *	9/2009	Romano et al.	.....	D24/180
D612,708	S *	3/2010	Fattori et al.	.....	D8/355
7,695,277	B1 *	4/2010	Stevens	.....	433/11
8,033,824	B2 *	10/2011	Oda et al.	.....	433/11
D648,030	S *	11/2011	Bryant et al.	.....	D24/180
D660,436	S *	5/2012	Dupray	.....	D24/180
D660,968	S *	5/2012	Smith et al.	.....	D24/180
8,333,586	B2 *	12/2012	Kantomaa	.....	433/10
2002/0110778	A1 *	8/2002	Abels et al.	.....	433/11
2002/0187452	A1 *	12/2002	Abels et al.	.....	433/11
2004/0072118	A1 *	4/2004	Heiser et al.	.....	433/11

(Continued)

*Primary Examiner* — Mark Goodwin

(74) *Attorney, Agent, or Firm* — Jordan IP Law, LLC; Todd A. Vaughn

(57) **CLAIM**

The ornamental design for an adjust bracket, as shown and described.

**DESCRIPTION**

FIG. 1 is a top perspective view of an adjust bracket showing my new design in an open first operating position.

FIG. 2 is a front view thereof.

FIG. 3 is a top perspective view thereof shown in a closed second operating position.

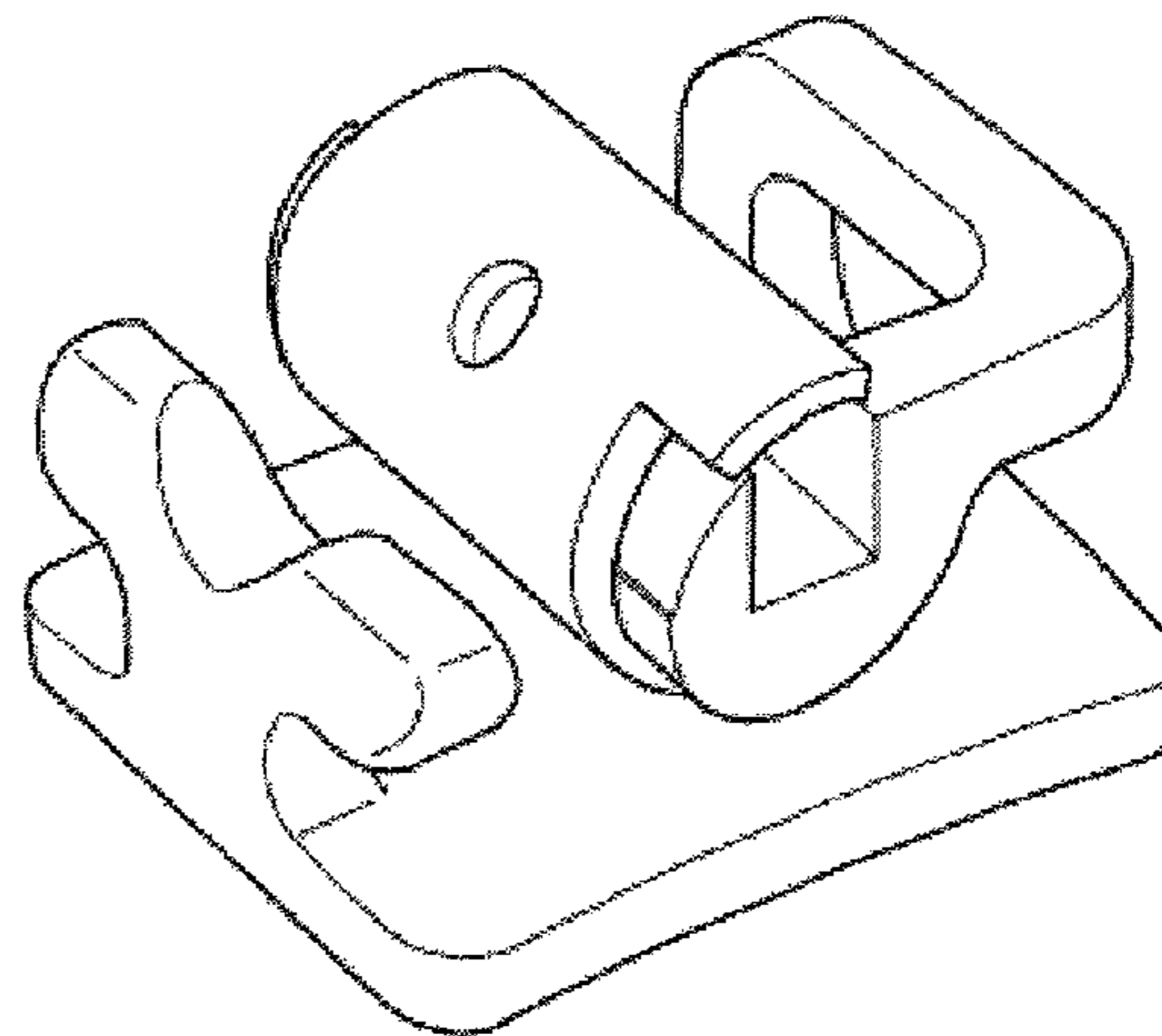
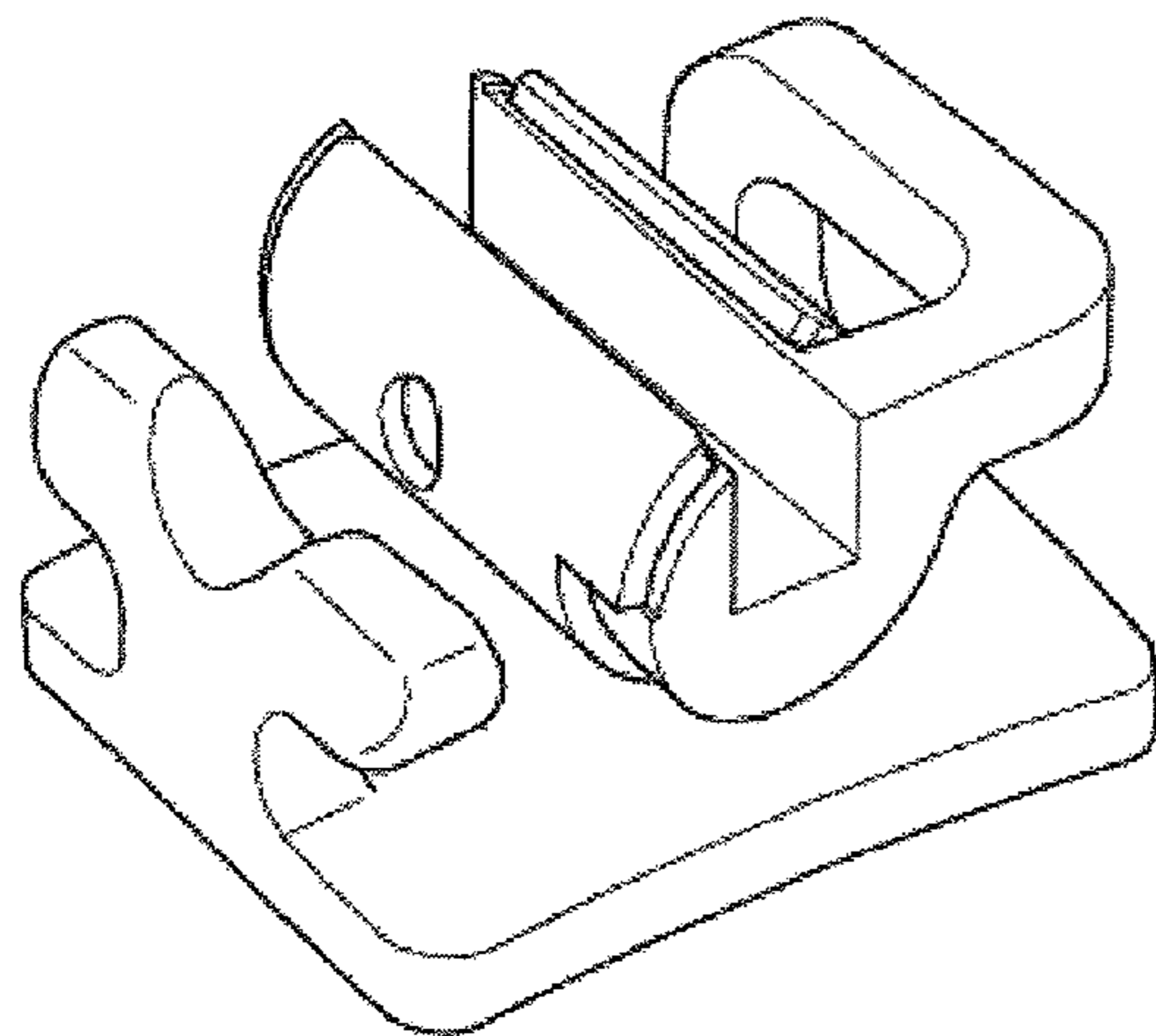
FIG. 4 is a side view of FIG. 1 thereof.

FIG. 5 is a top plan view thereof.

FIG. 6 is an opposite side view thereof; and,

FIG. 7 is a bottom perspective view thereof.

**1 Claim, 4 Drawing Sheets**



# US D687,554 S

Page 2

---

## U.S. PATENT DOCUMENTS

2005/0003320	A1*	1/2005	Freeman et al. ....	433/9	2010/0151403	A1*	6/2010	Tuneberg et al. ....	433/10
2005/0244777	A1*	11/2005	Schultz .....	433/17	2010/0178629	A1*	7/2010	Oda et al. ....	433/14
2008/0160474	A1*	7/2008	Wolf et al. ....	433/10					

\* cited by examiner

FIG. 1

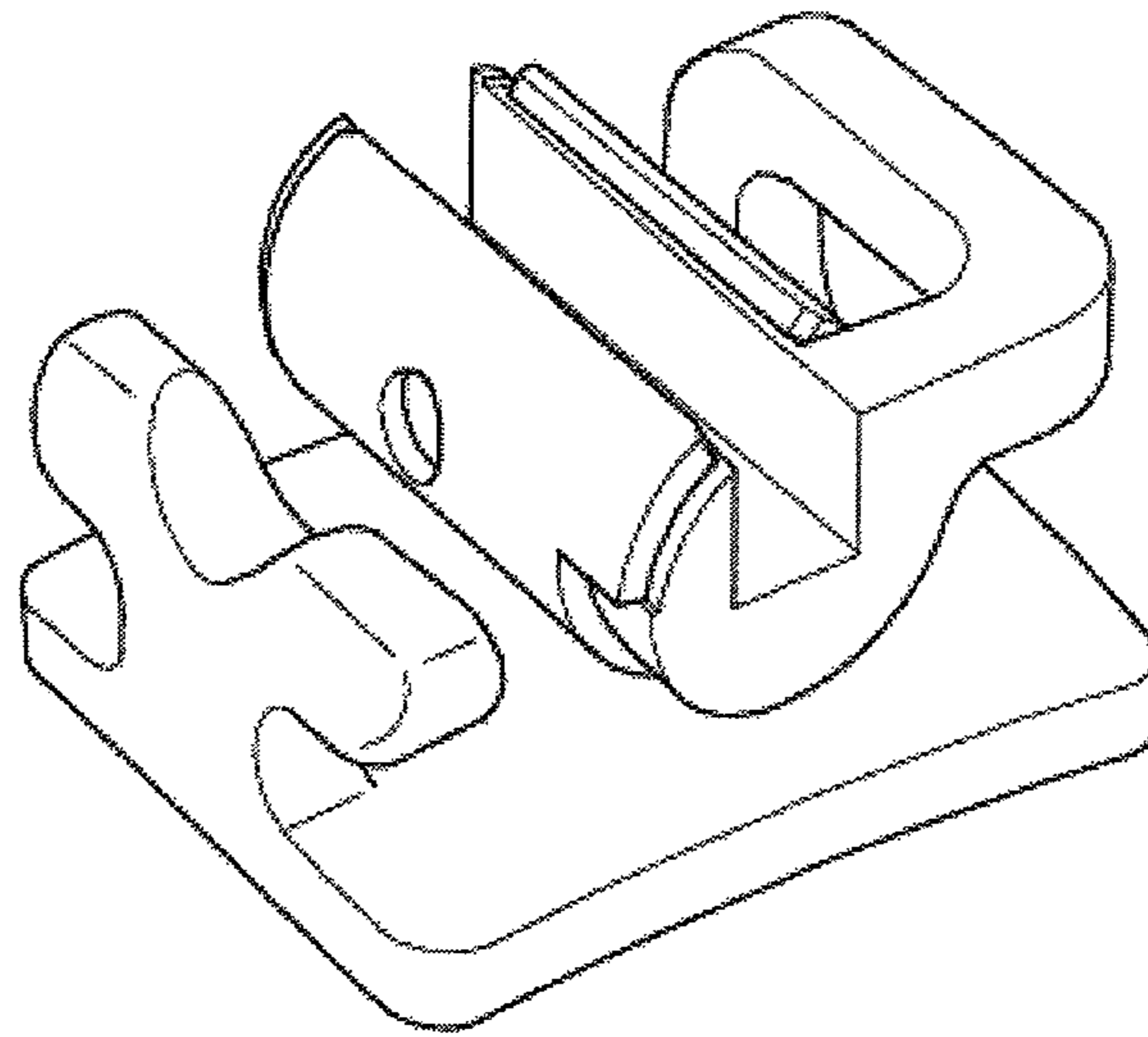


FIG. 2

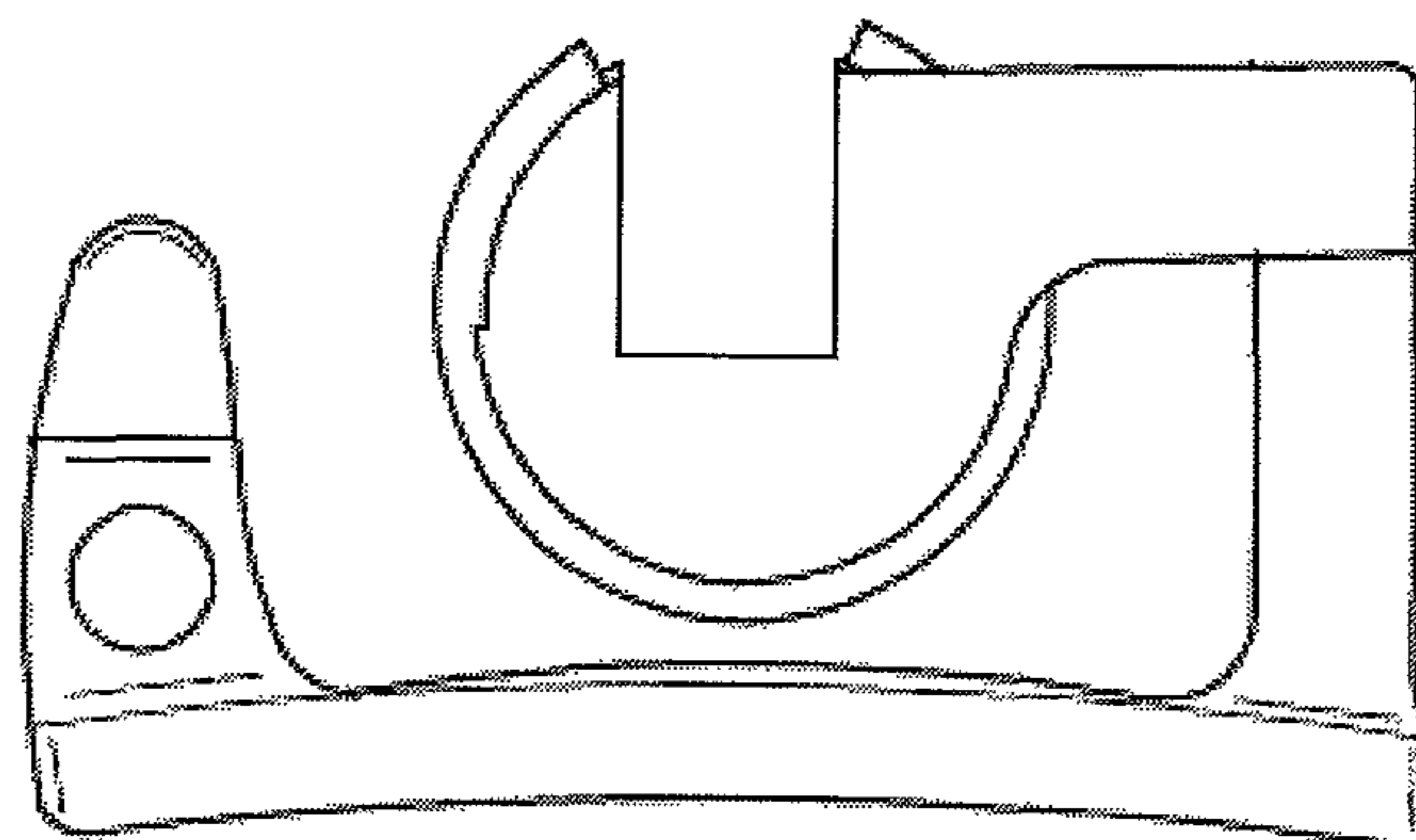


FIG. 3

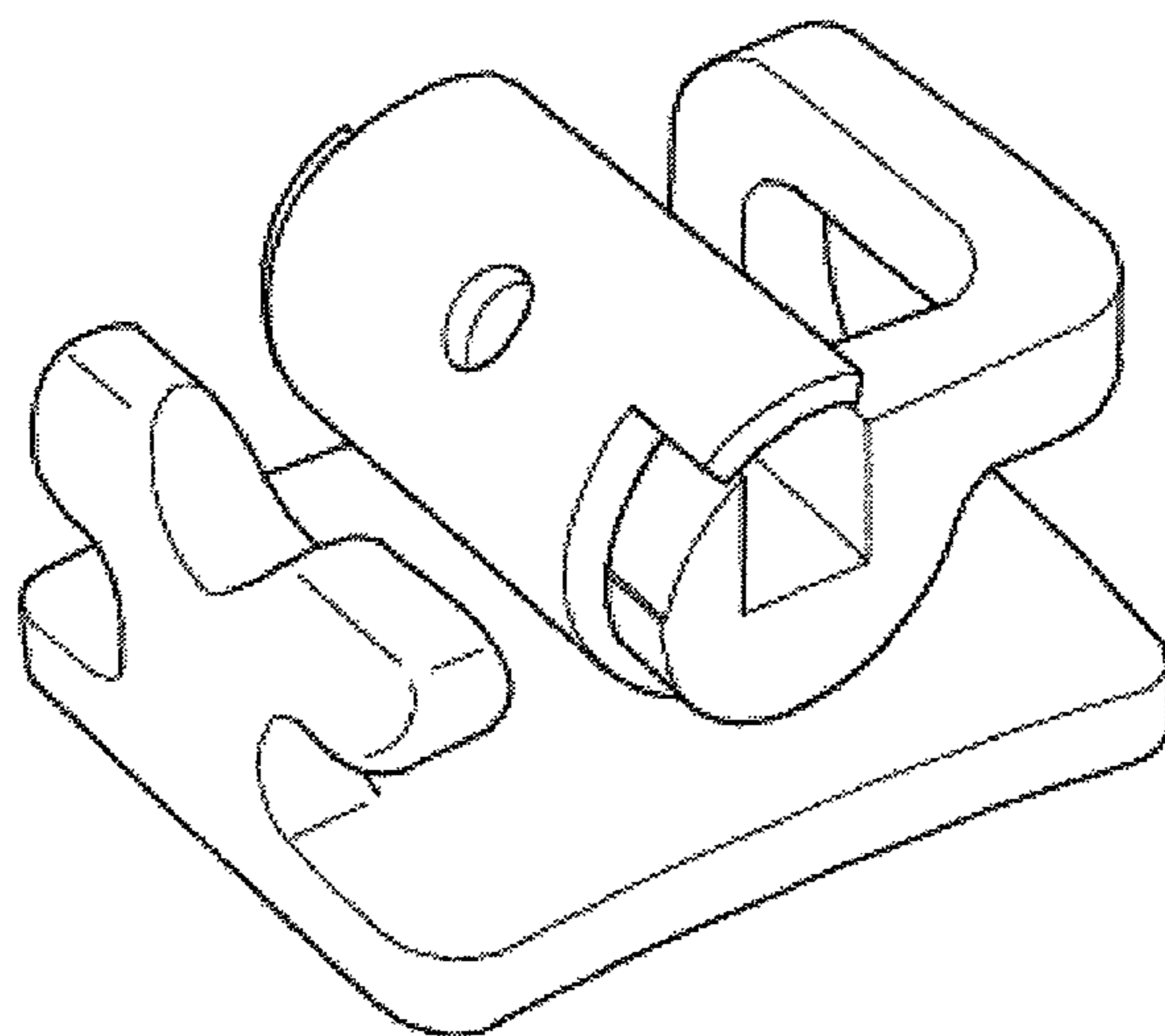


FIG. 4

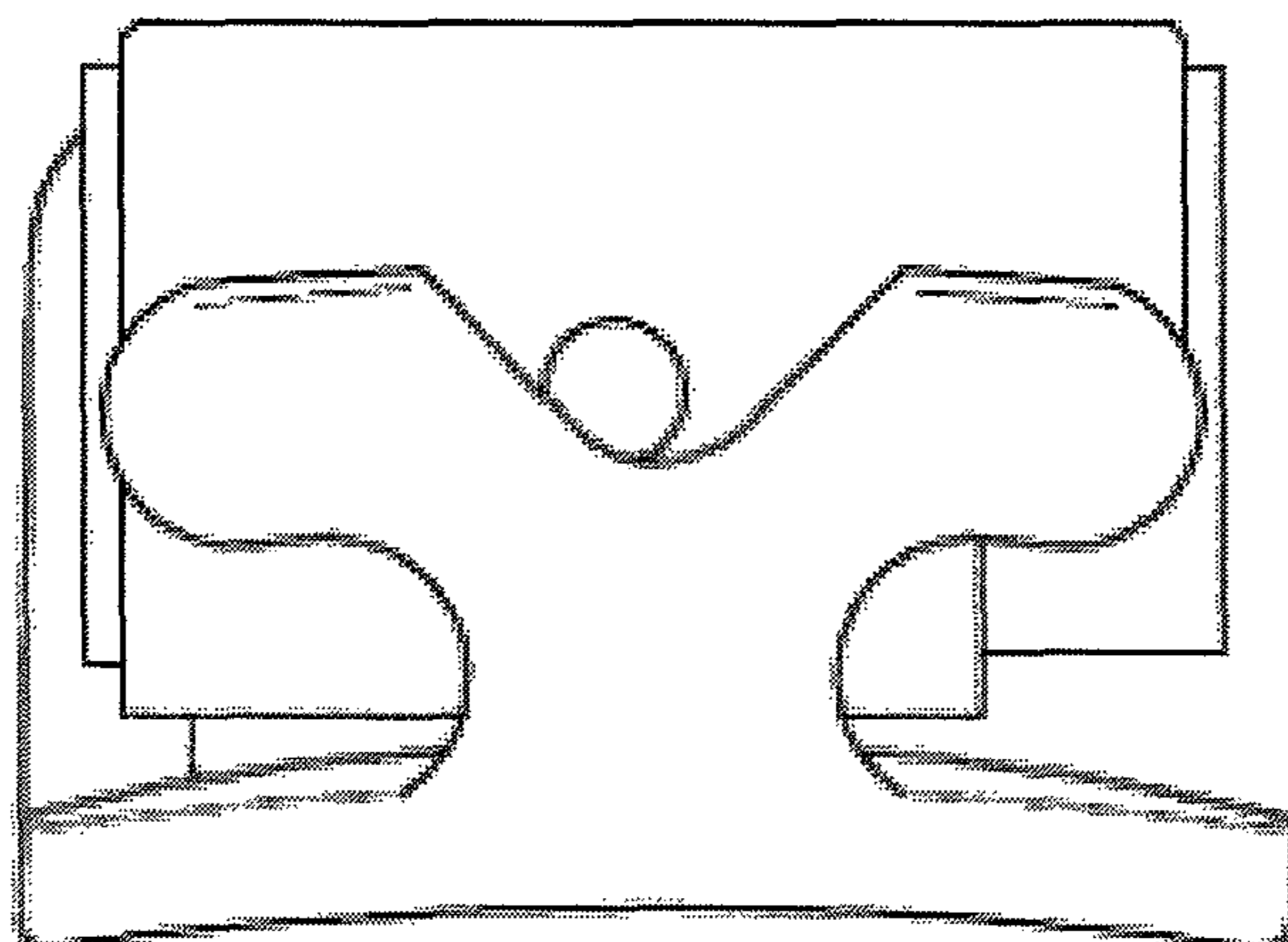


FIG. 5

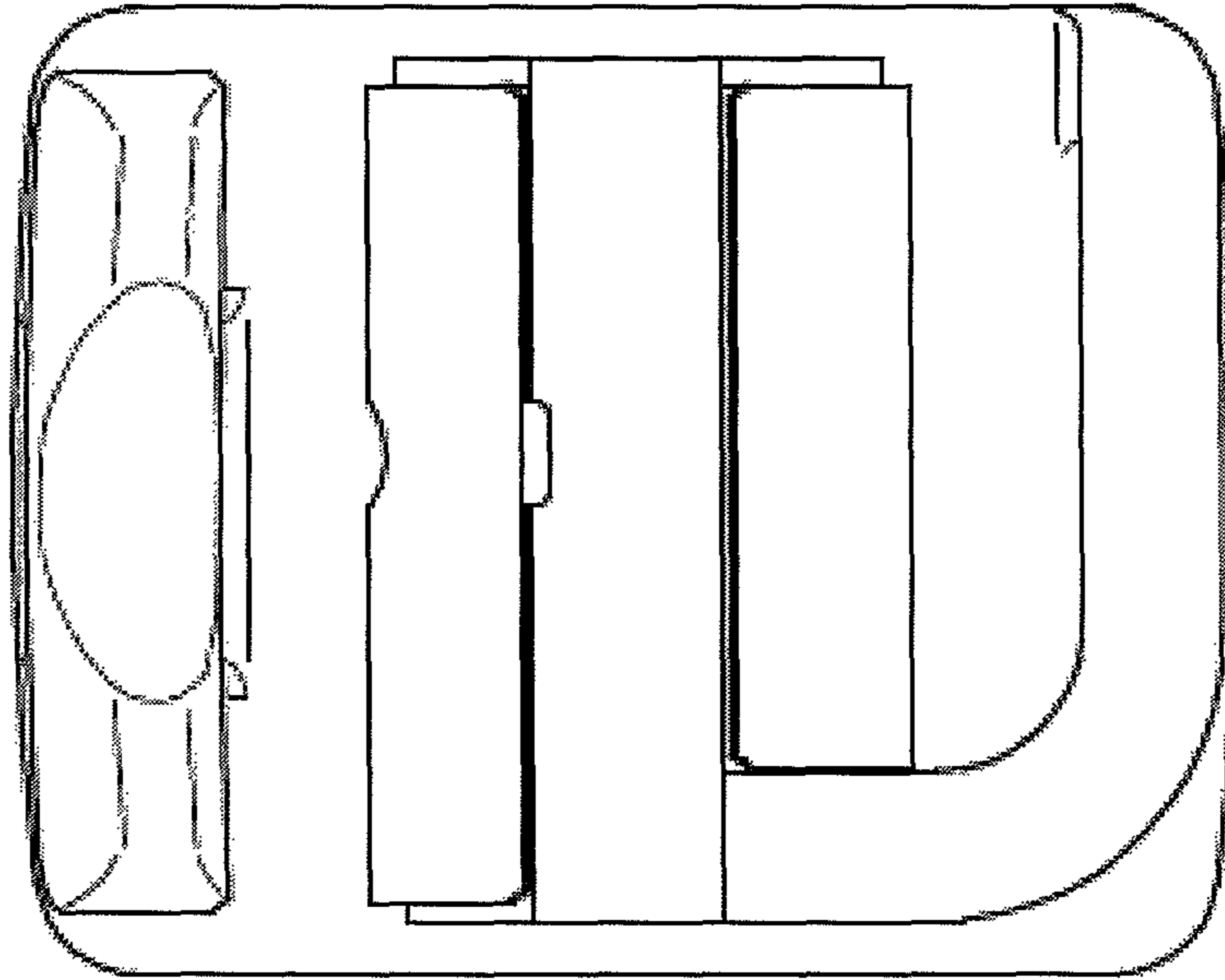


FIG. 6

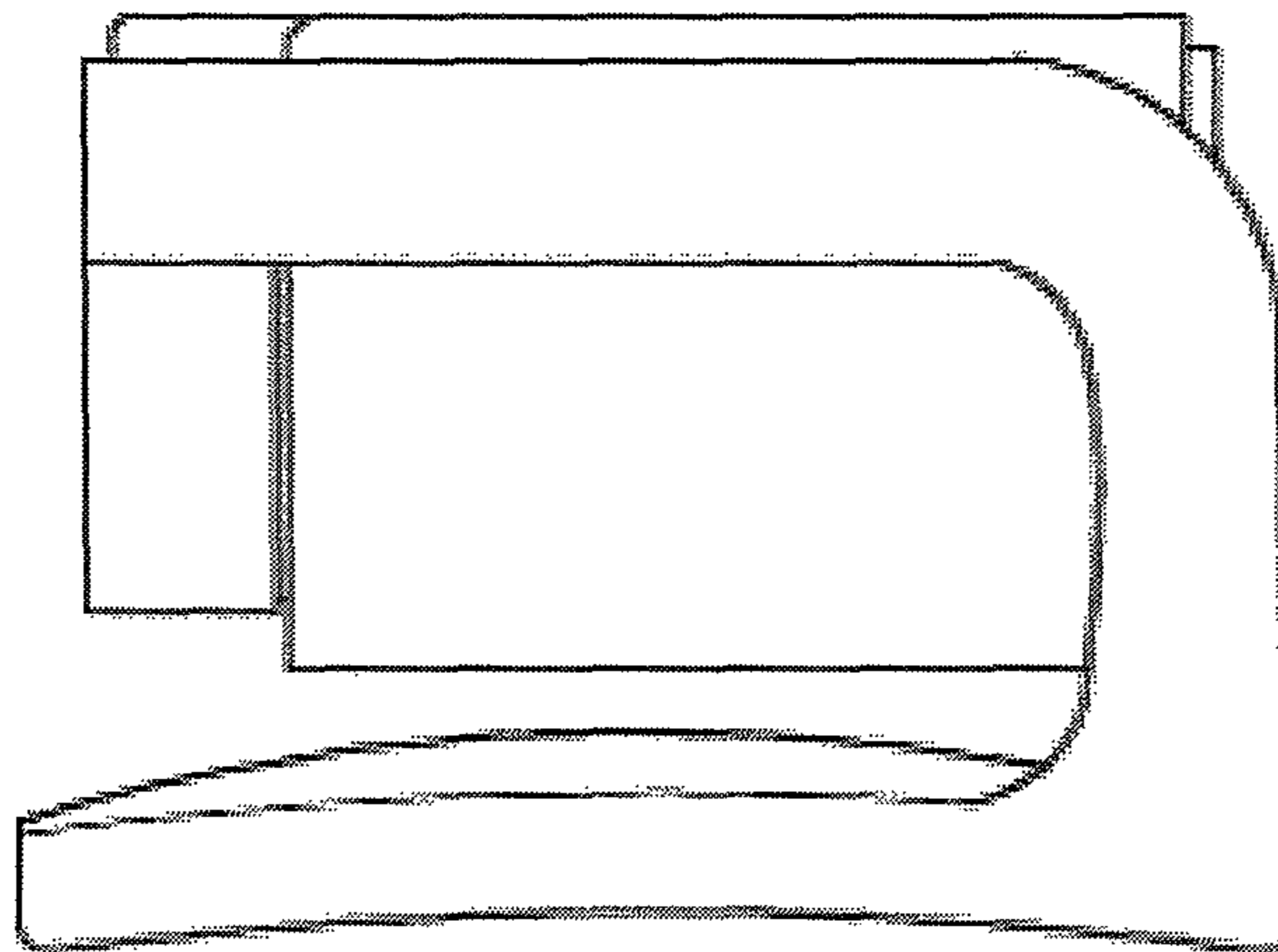


FIG. 7

