



US00D687553S

(12) **United States Design Patent**
Coreil

(10) **Patent No.:** **US D687,553 S**

(45) **Date of Patent:** **** Aug. 6, 2013**

(54) **ORTHODONTIC INSTRUMENT**

(71) Applicant: **Mark Neil Coreil**, Houma, LA (US)

(72) Inventor: **Mark Neil Coreil**, Houma, LA (US)

(**) Term: **14 Years**

(21) Appl. No.: **29/435,451**

(22) Filed: **Oct. 24, 2012**

(51) **LOC (9) Cl.** **24-02**

(52) **U.S. Cl.**
USPC **D24/154**; D24/149

(58) **Field of Classification Search**
USPC D24/133, 145, 152-154, 147, 180;
433/3, 82, 86, 114, 118-119, 126, 141-143,
433/147, 166

See application file for complete search history.

(56) **References Cited**

U.S. PATENT DOCUMENTS

D53,955	S	*	10/1919	Zurbrigg	D24/149
D53,956	S	*	10/1919	Zurbrigg	D24/149
D238,173	S	*	12/1975	Felt	D24/149
D259,660	S	*	6/1981	Sosnay	D24/154
D306,067	S	*	2/1990	Bogdanoff et al.	D24/149
5,024,600	A	*	6/1991	Kline	433/82
5,816,806	A	*	10/1998	Herbst et al.	433/141
6,109,918	A	*	8/2000	Hammond et al.	433/141
6,193,515	B1	*	2/2001	Rahman	433/141

6,729,877 B2 * 5/2004 Rahman 433/141
2011/0070556 A1 * 3/2011 Haapasalo et al. 433/82

* cited by examiner

Primary Examiner — Wan Laymon

(74) *Attorney, Agent, or Firm* — Rodgers & Rodgers

(57) **CLAIM**

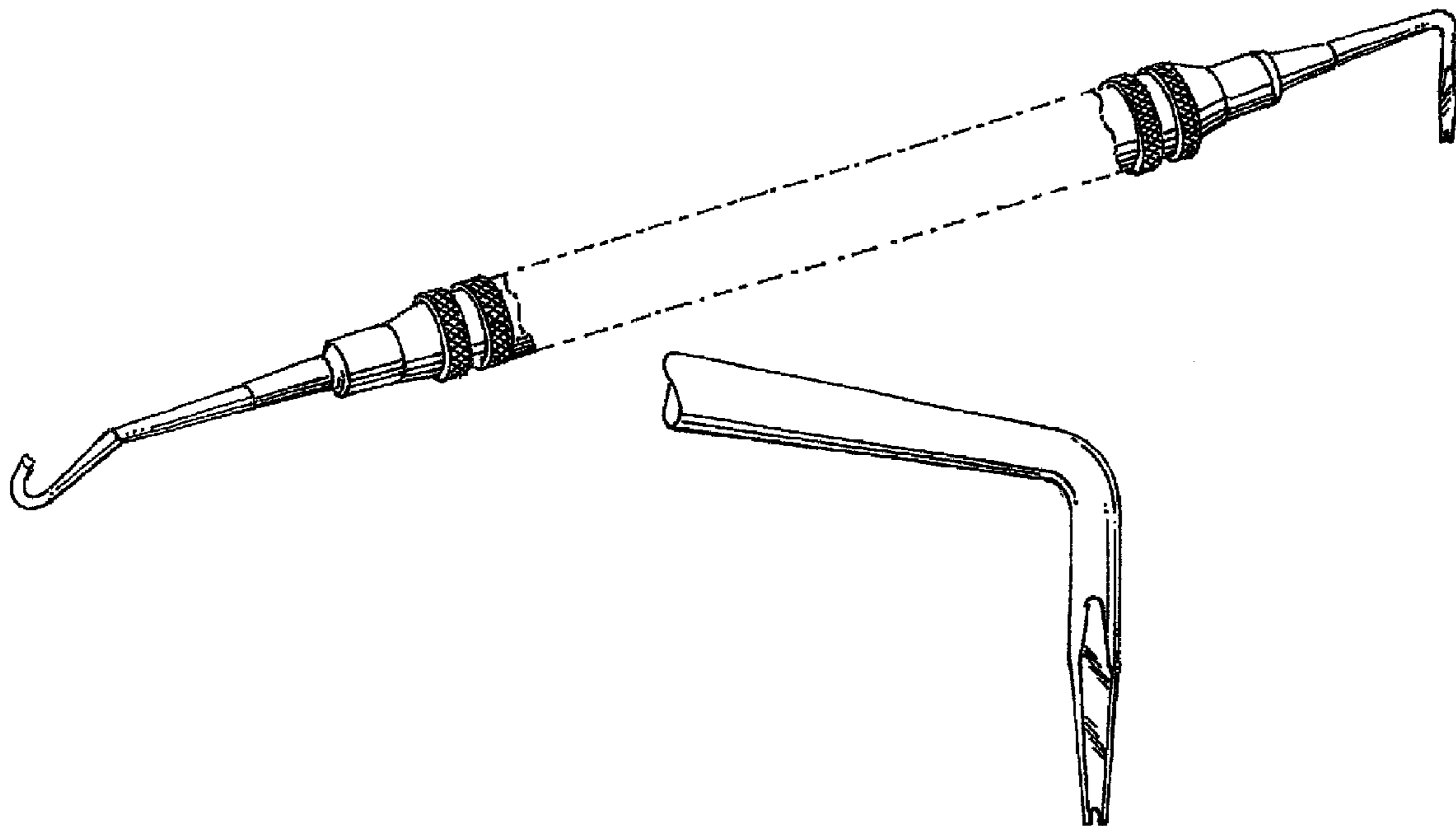
The ornamental design for an orthodontic instrument, as shown and described.

DESCRIPTION

FIG. 1 is a perspective view of an orthodontic instrument showing my new design;
FIG. 2 is a front elevational view thereof;
FIG. 3 is a rear elevational view thereof;
FIG. 4 is a top plan view thereof;
FIG. 5 is a bottom plan view thereof;
FIG. 6 is a left-side elevational view thereof;
FIG. 7 is a right-side elevational view thereof; and
FIG. 8 is an enlarged perspective view of the left end thereof; and,
FIG. 9 is an enlarged front elevational view of the right end thereof.

The dot-dash broken lines immediately adjacent the shaded areas represent the bounds of the claimed design while all other broken lines are directed to environment and are for illustrative purposes only; the broken lines form no part of the claimed design.

1 Claim, 3 Drawing Sheets



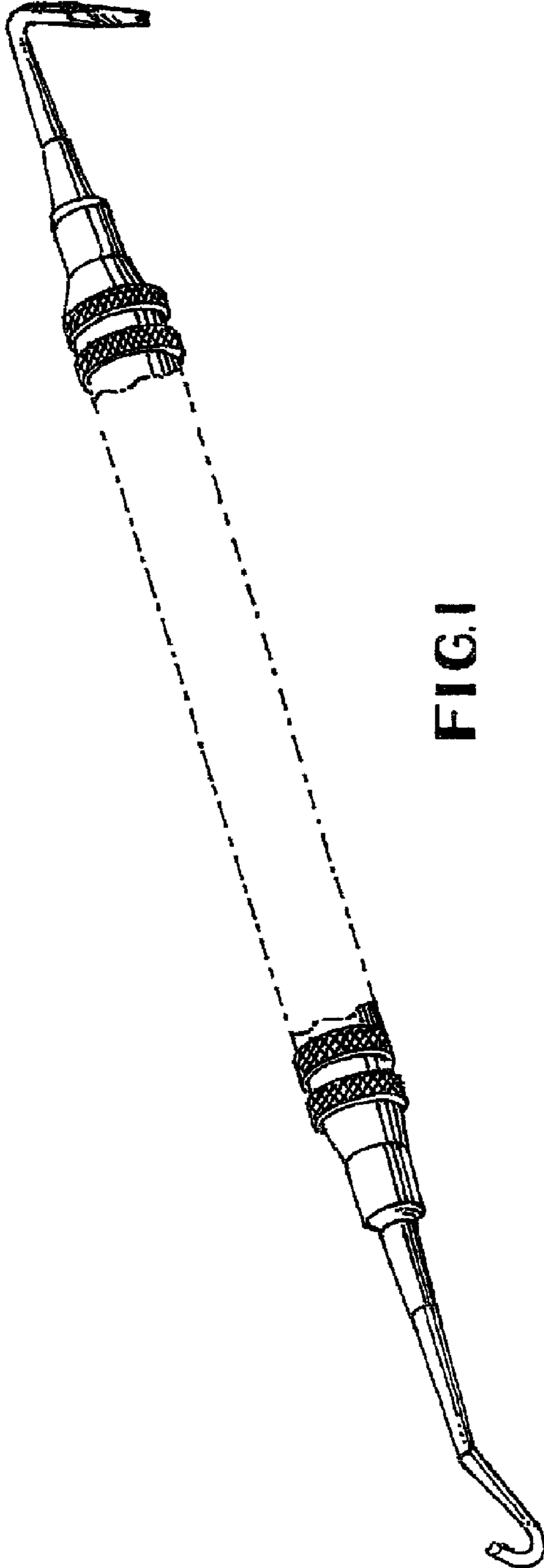


FIG. 1

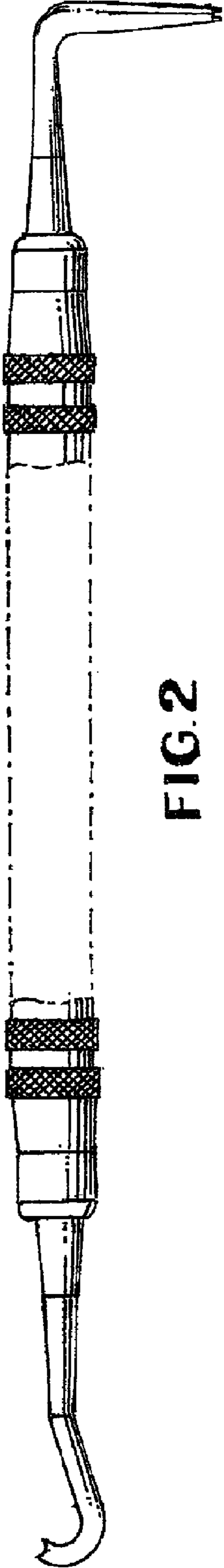


FIG. 2

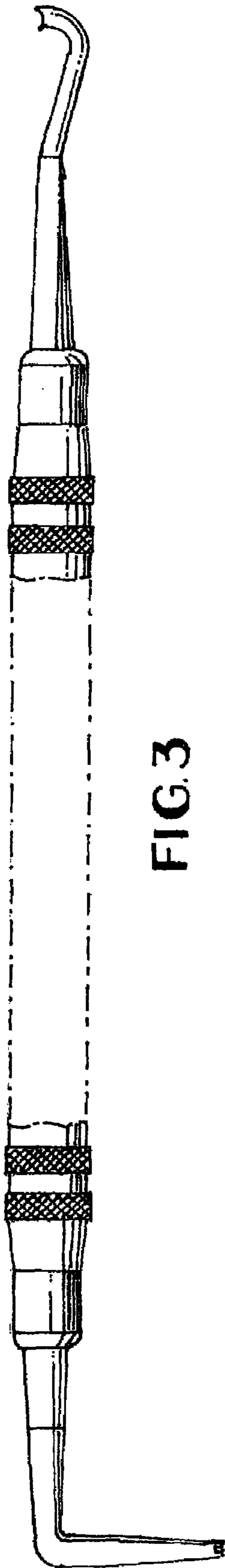


FIG. 3

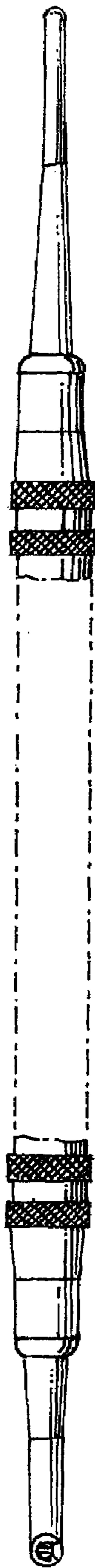


FIG. 4

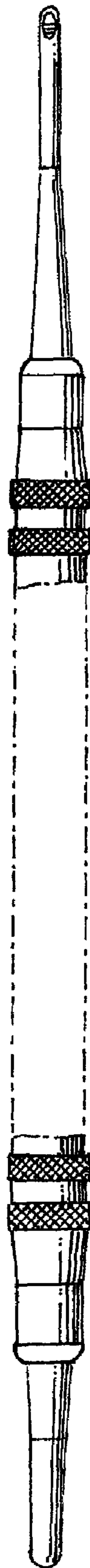


FIG. 5

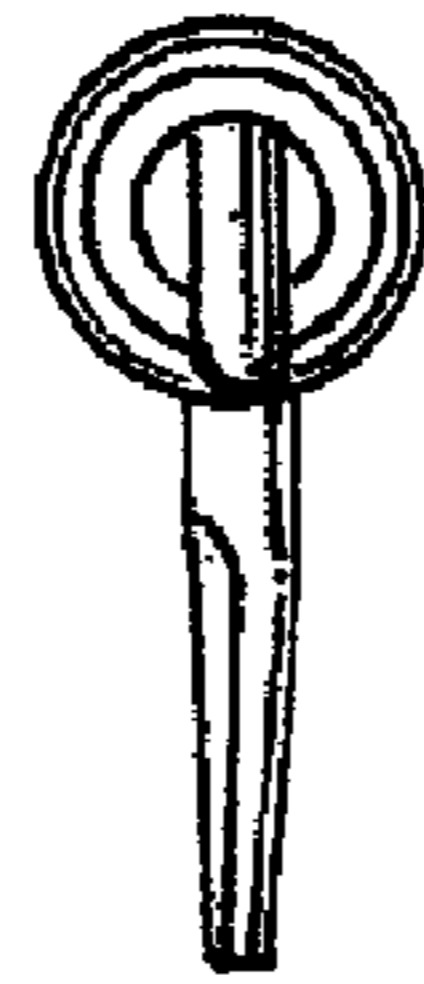


FIG. 6

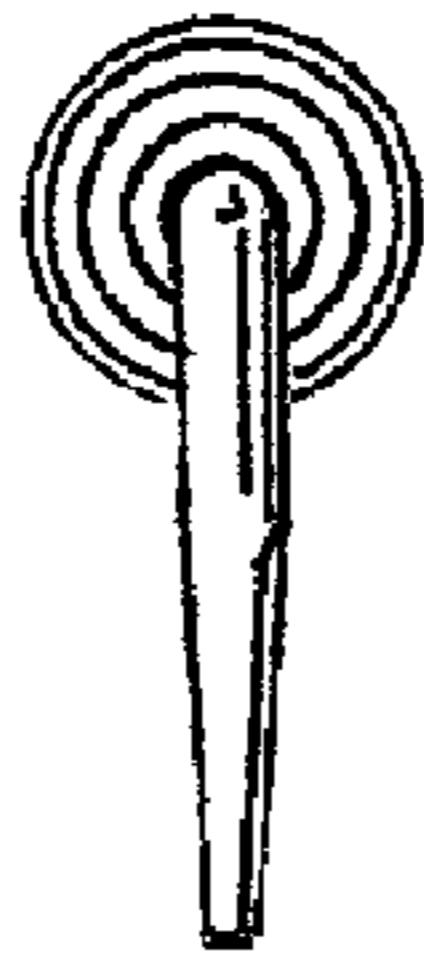


FIG. 7

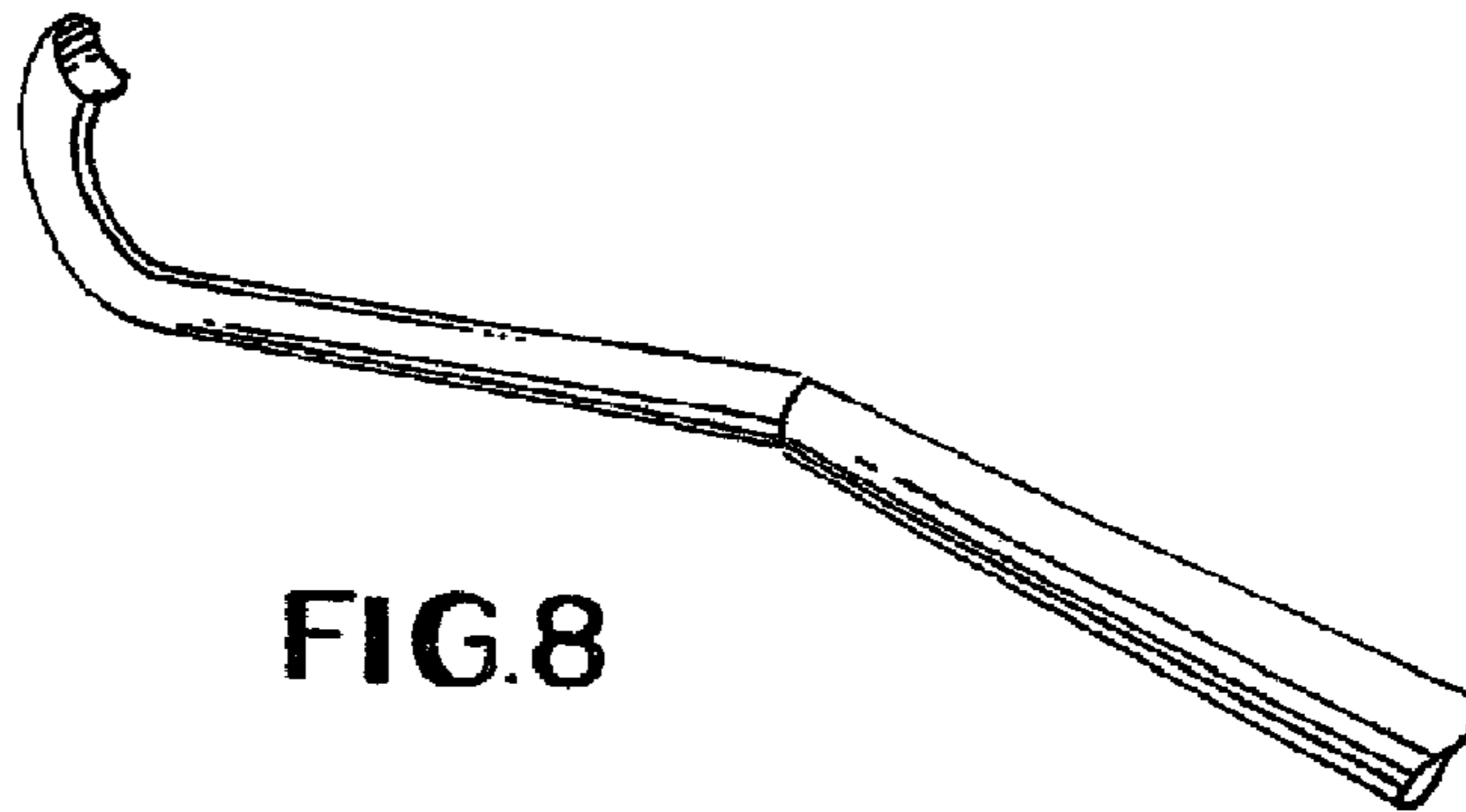


FIG. 8

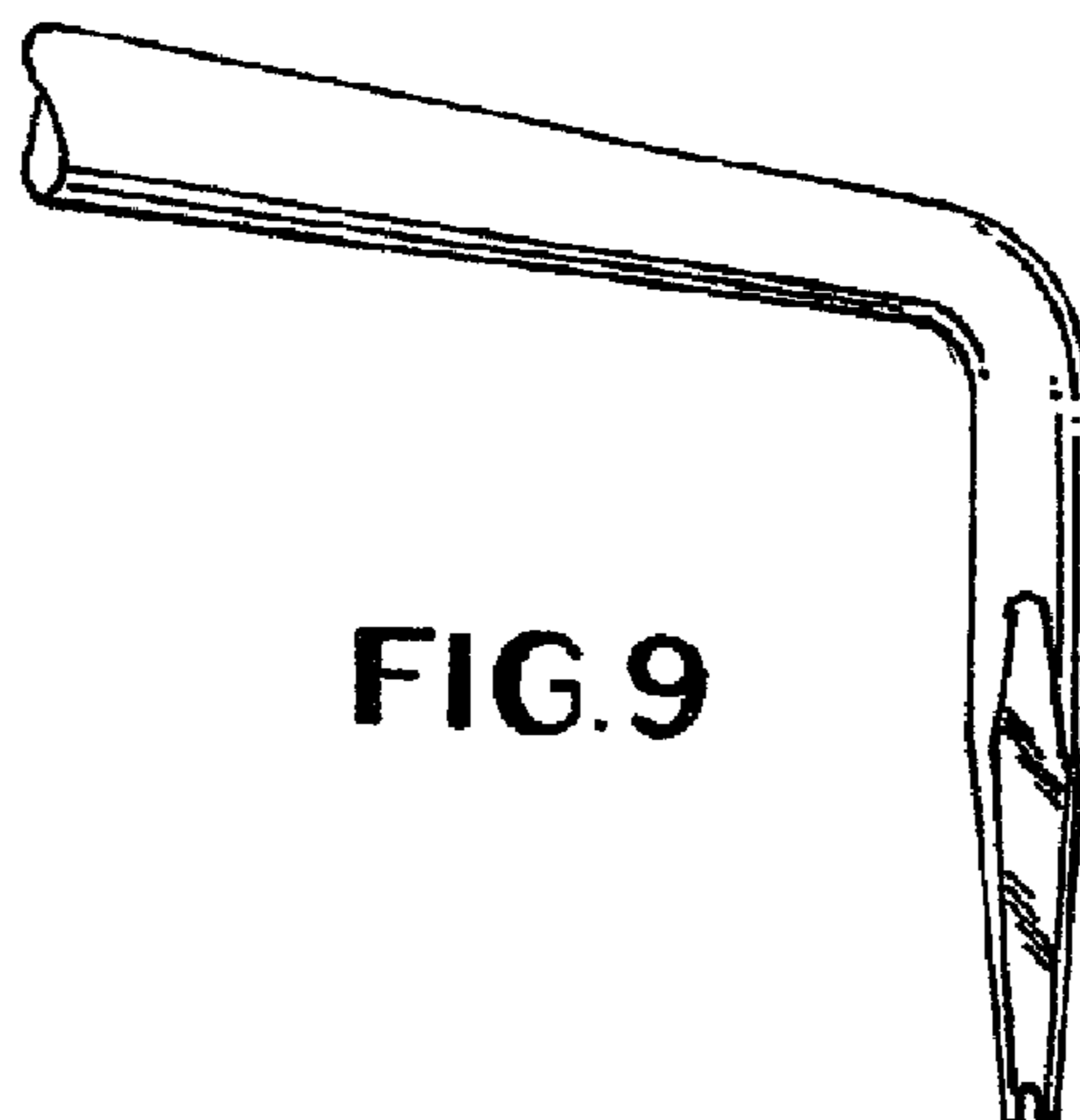


FIG. 9