



US00D687551S

(12) **United States Design Patent**
Moeckly et al.

(10) **Patent No.:** **US D687,551 S**

(45) **Date of Patent:** **** Aug. 6, 2013**

(54) **MICRO-NEEDLE APPLICATOR DEVICE**

(75) Inventors: **Craig S. Moeckly**, White Bear Lake, MN (US); **Ryan Patrick Simmers**, Cottage Grove, MN (US); **Erik J. Johnson**, Oakdale, MN (US); **Thomas G. Skulley**, St. Paul, MN (US)

(73) Assignee: **3M Innovative Properties Company**, St. Paul, MN (US)

(**) Term: **14 Years**

(21) Appl. No.: **29/393,772**

(22) Filed: **Jun. 9, 2011**

(51) **LOC (9) Cl.** **24-02**

(52) **U.S. Cl.**
USPC **D24/147**

(58) **Field of Classification Search**
USPC . D24/133, 130, 146, 147, 200, 142; 604/506, 604/173, 272, 46-48, 115-117; 606/167, 606/184-186; D28/44-48; 600/555-557
See application file for complete search history.

(56) **References Cited**

U.S. PATENT DOCUMENTS

60,917	A *	1/1867	Brown	604/46
D64,894	S *	6/1924	Fitzgerald	D24/142
3,221,739	A	12/1965	Rosenthal		
4,745,910	A *	5/1988	Day et al.	601/41
D374,930	S *	10/1996	Scott	D24/142
D378,938	S *	4/1997	Solomon	D24/142
5,794,815	A	8/1998	Carlson et al.		
D406,891	S *	3/1999	Smith	D24/147
5,964,729	A *	10/1999	Choi et al.	604/47
6,030,404	A *	2/2000	Lawson et al.	606/186
6,091,975	A	7/2000	Daddona et al.		
6,219,574	B1	4/2001	Cormier et al.		
6,312,612	B1	11/2001	Sherman et al.		

(Continued)

FOREIGN PATENT DOCUMENTS

JP	WO 2006/062974	6/2006
JP	D1393289	6/2010

(Continued)

OTHER PUBLICATIONS

Ameri, M. et al.; "Parathyroid Hormone PTH(1-34) Formulation that Enables Uniform Coating on a Novel Transdermal Microprojection Delivery System"; *Pharmaceutical Research*; vol. 27, No. 2; 2009; pp. 303-313.

(Continued)

Primary Examiner — Ian Simmons
Assistant Examiner — Carissa C Fitts

(57) **CLAIM**

The ornamental design for a micro-needle applicator device, as shown and described.

DESCRIPTION

FIG. 1 is a top perspective view of a micro-needle applicator device;

FIG. 2 is a left side elevational view of the micro-needle applicator device of FIG. 1; the right side elevational view being a mirror image thereof;

FIG. 3 is a front elevational view of the micro-needle applicator device of FIG. 1;

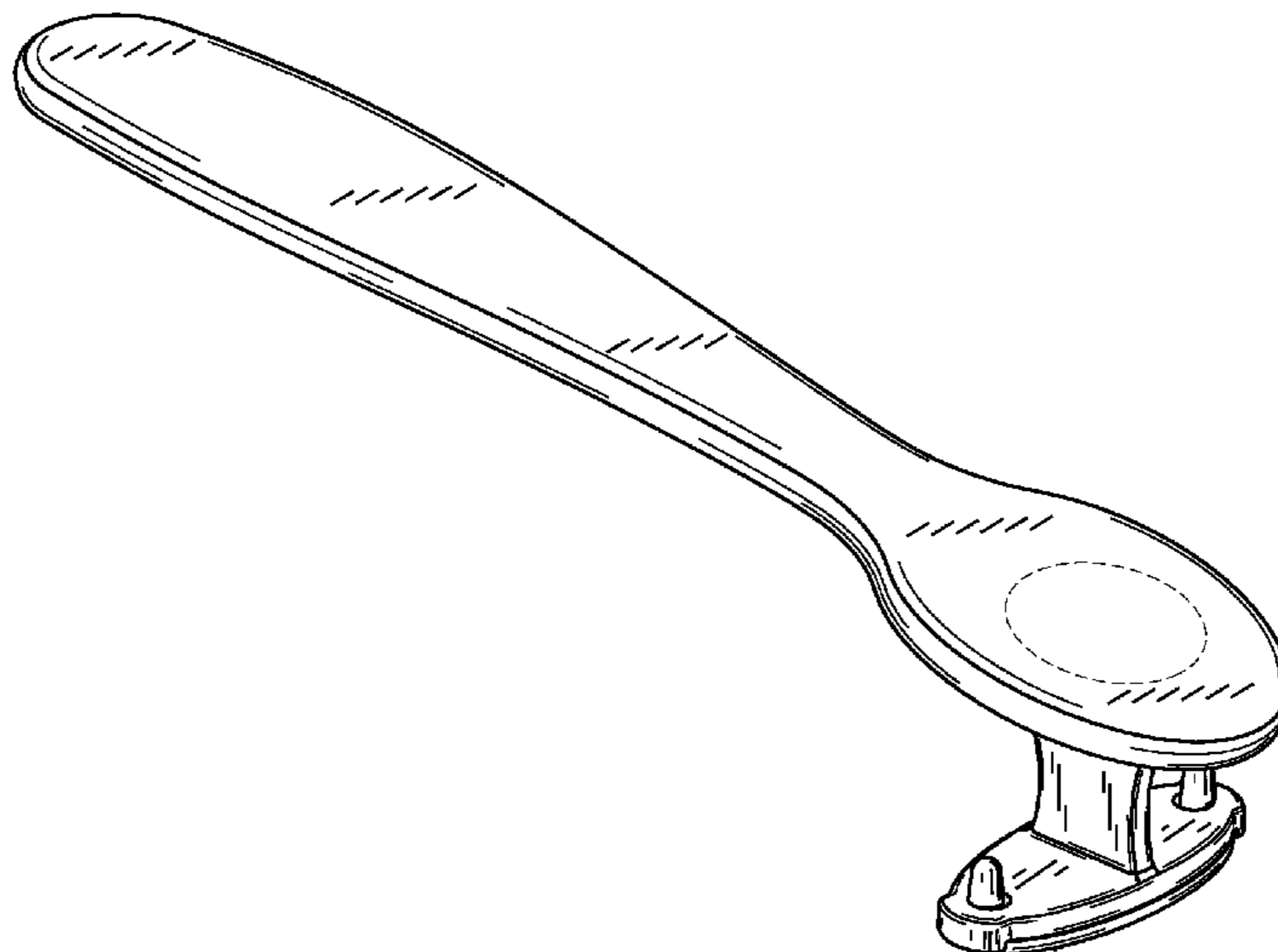
FIG. 4 is a rear elevational view of the micro-needle applicator device of FIG. 1;

FIG. 5 is a top plan view of the micro-needle applicator device of FIG. 1; and,

FIG. 6 is a bottom plan view of the micro-needle applicator device of FIG. 1.

The portions of the figures depicted in broken lines are for illustrative purposes only and form no part of the claimed design.

1 Claim, 3 Drawing Sheets



US D687,551 S

Page 2

U.S. PATENT DOCUMENTS

6,379,324 B1 4/2002 Gartstein et al.
D465,847 S * 11/2002 Jacobs D24/147
D484,978 S * 1/2004 Syal D24/147
7,131,960 B2 * 11/2006 Trautman et al. 604/46
7,226,439 B2 * 6/2007 Prausnitz et al. 604/506
D567,945 S * 4/2008 Foster et al. D24/147
7,537,795 B2 5/2009 Cormier et al.
D595,410 S * 6/2009 Luzon D24/146
D636,531 S * 4/2011 Wilson D28/46
D636,938 S * 4/2011 White et al. D28/48
D638,580 S * 5/2011 Adams et al. D28/46
D648,435 S * 11/2011 Brodbeck D24/146
D659,843 S * 5/2012 Wang D24/200
D672,047 S * 12/2012 Hsu D24/200
8,353,861 B2 * 1/2013 Tobinaga et al. 604/46
8,376,984 B2 * 2/2013 James 604/46
2003/0199811 A1 * 10/2003 Sage et al. 604/46

2004/0087992 A1 * 5/2004 Gartstein et al. 606/186
2005/0261631 A1 11/2005 Clarke et al.
2007/0066919 A1 * 3/2007 Gueret 601/138
2007/0293816 A1 * 12/2007 Chan et al. 604/46
2010/0262081 A1 10/2010 Lee et al.

FOREIGN PATENT DOCUMENTS

WO WO 97/48561 12/1997
WO WO 2007/112309 10/2007
WO WO 2011/075569 6/2011
WO WO 2012/074576 6/2012

OTHER PUBLICATIONS

Brochure page entitled "There's a really big skin care story behind these teeny tiny holes"; Feb. 2011; 1 pg.

* cited by examiner

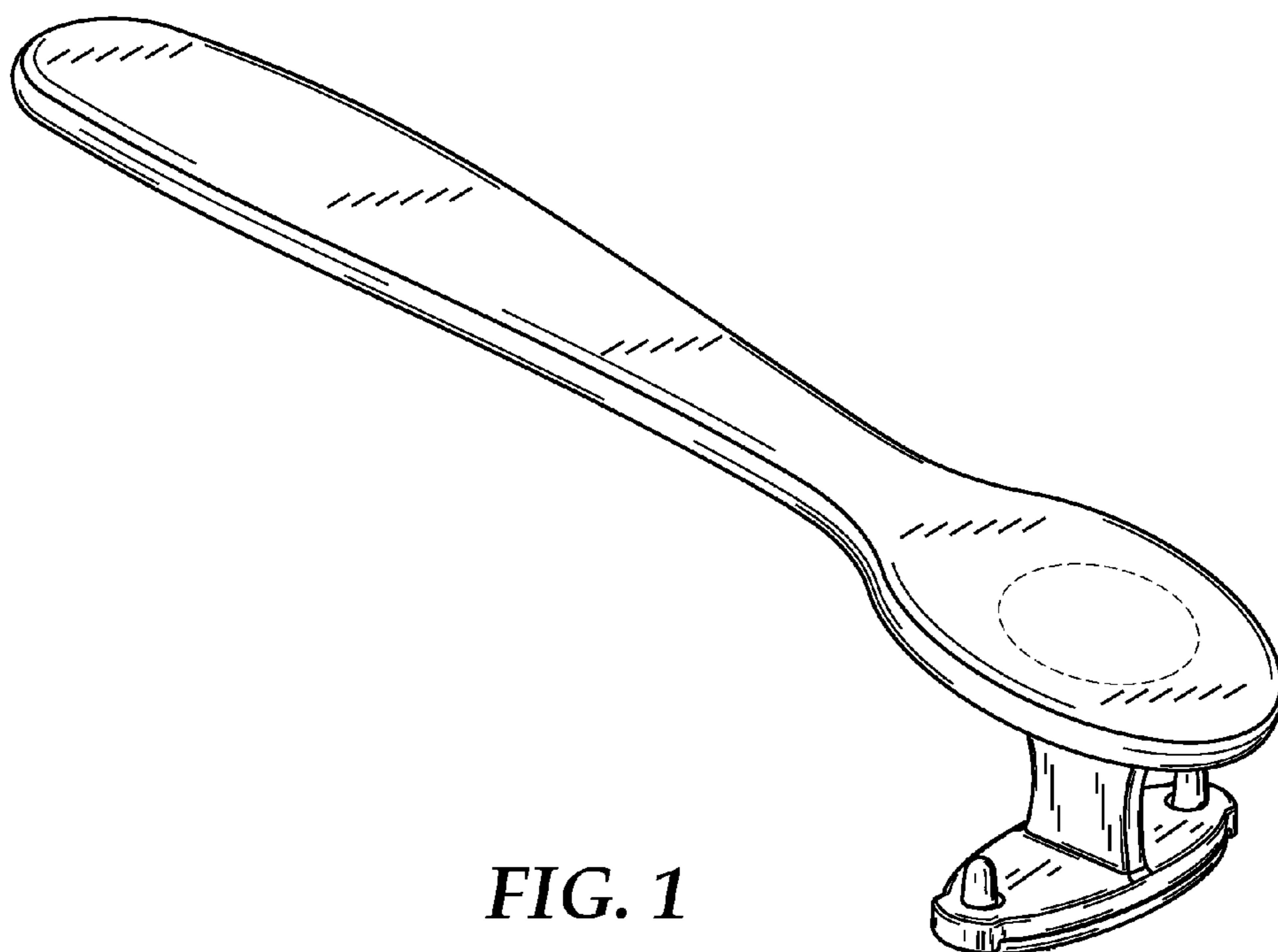


FIG. 1

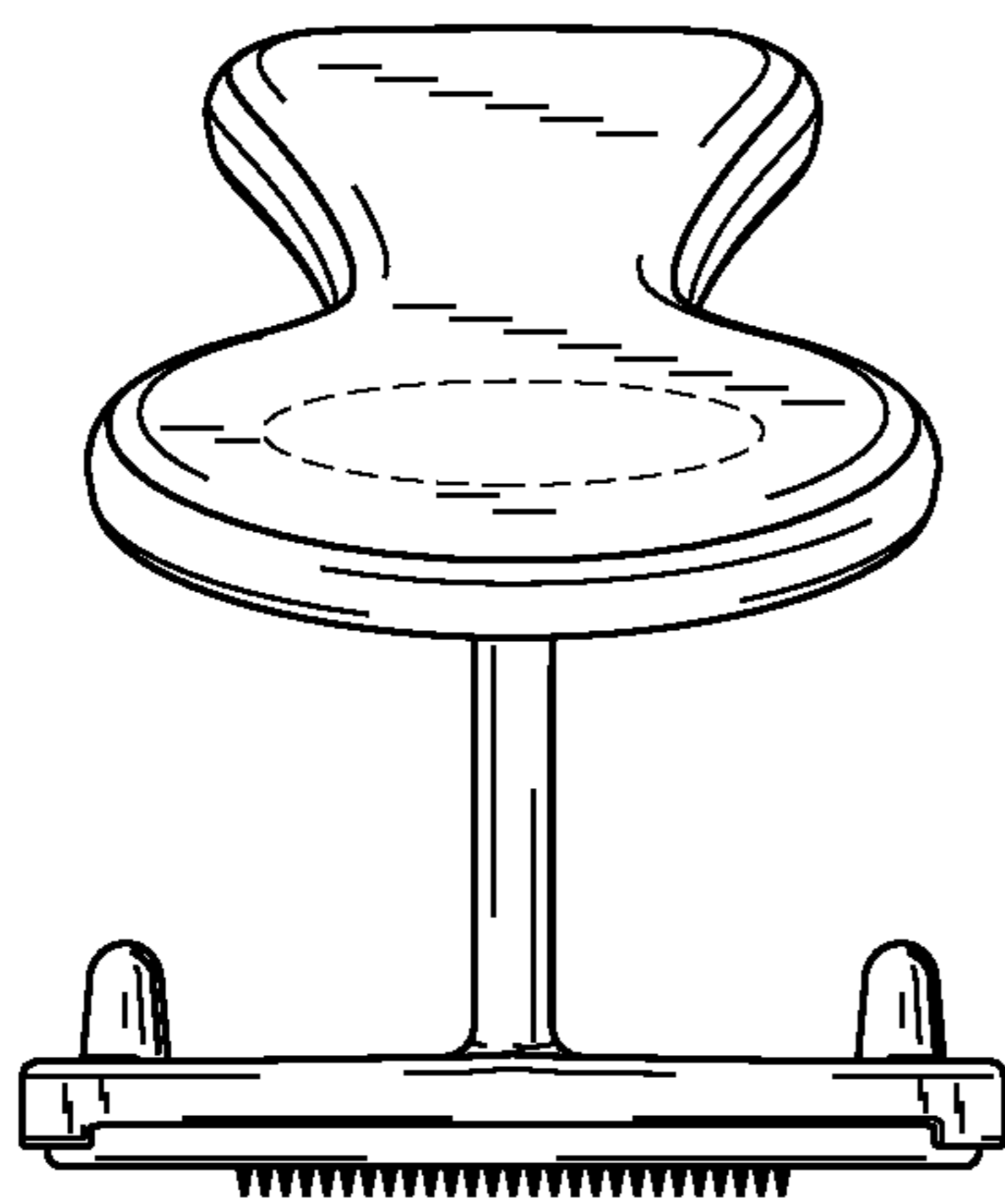


FIG. 3

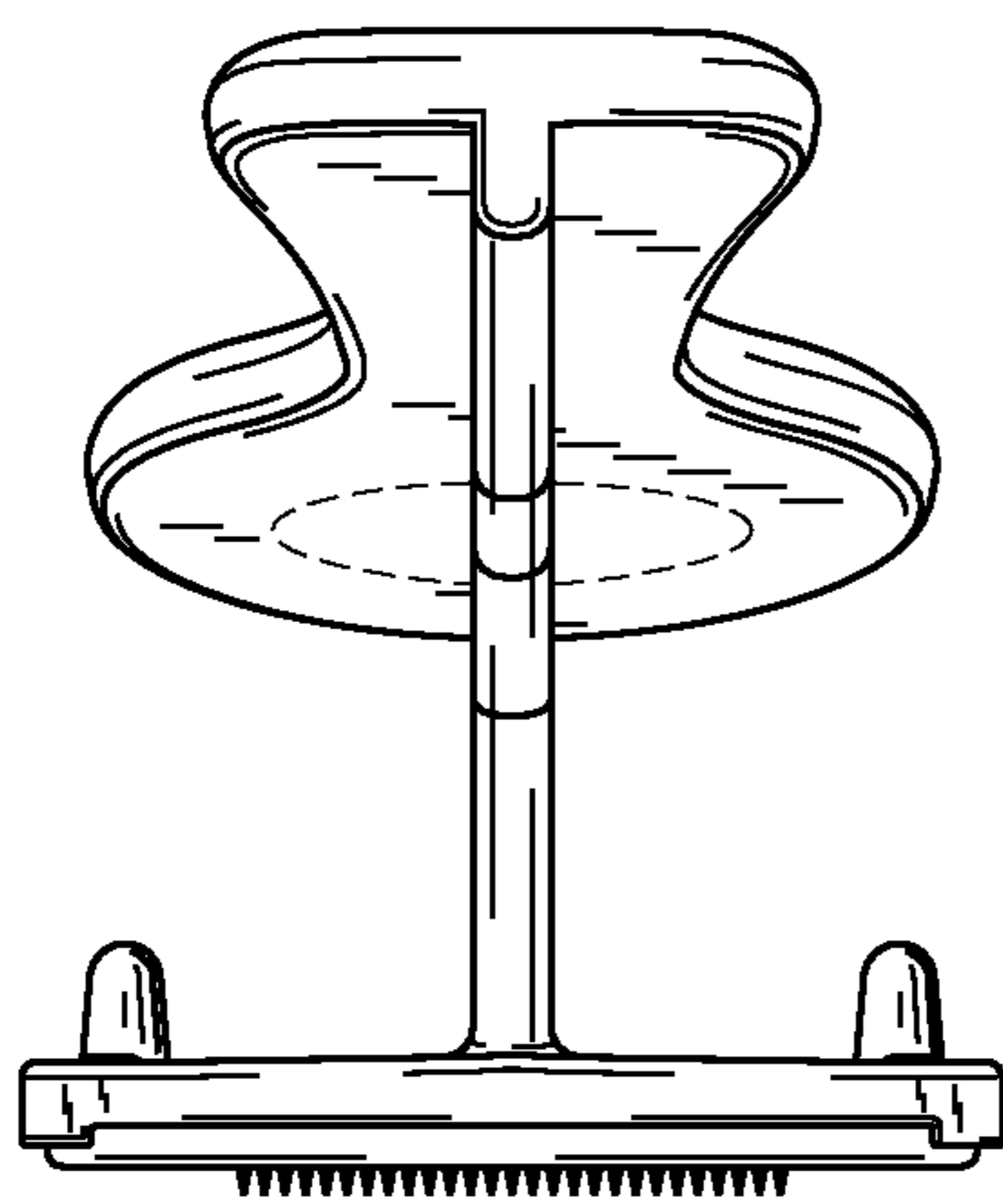


FIG. 4

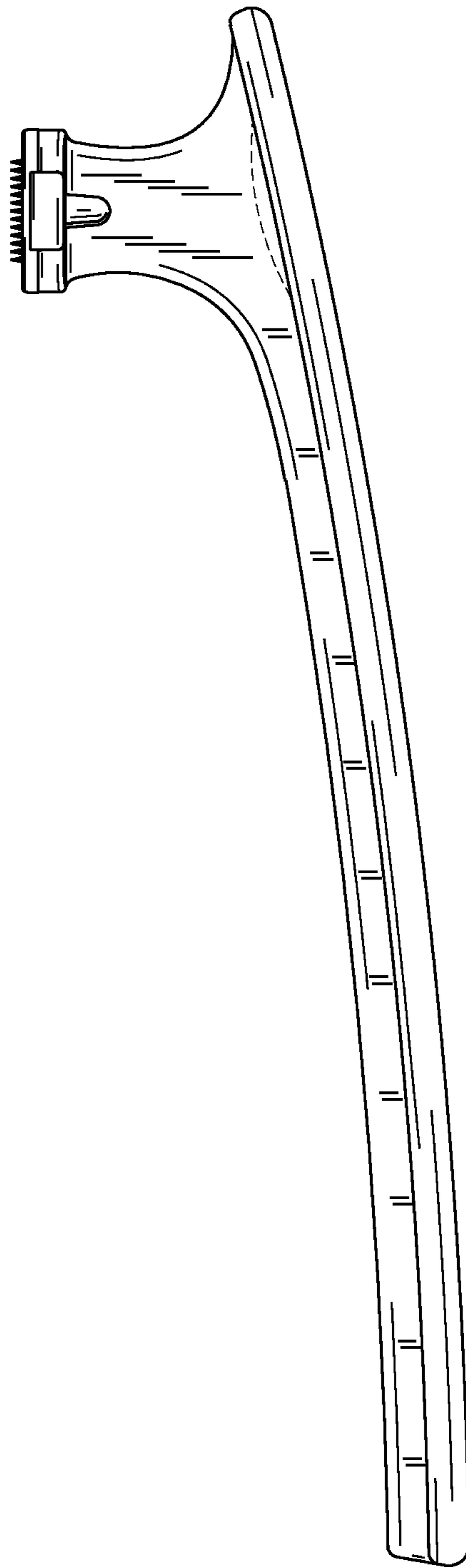


FIG. 2

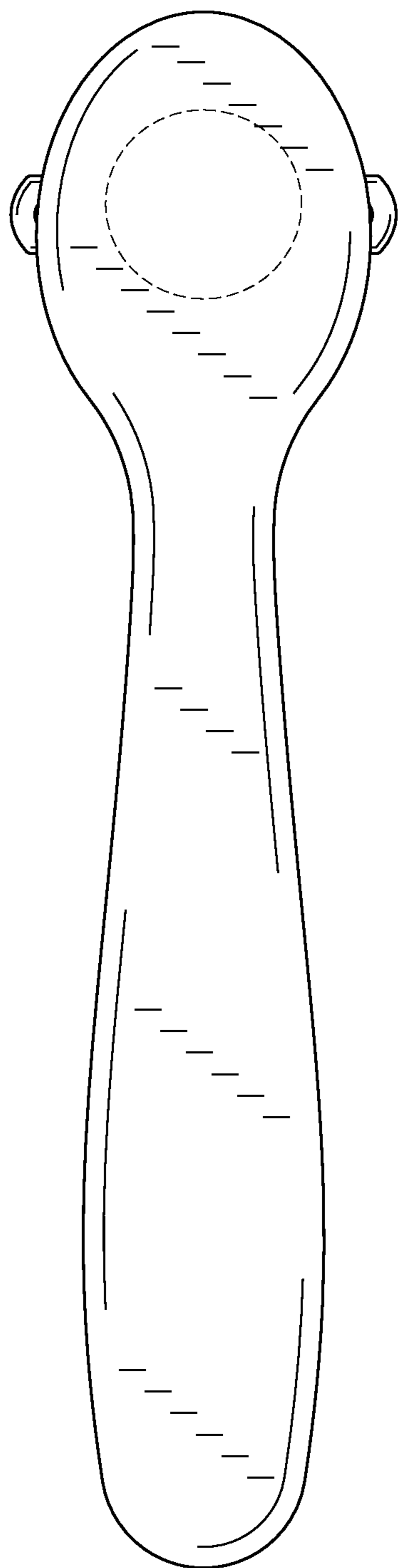


FIG. 5

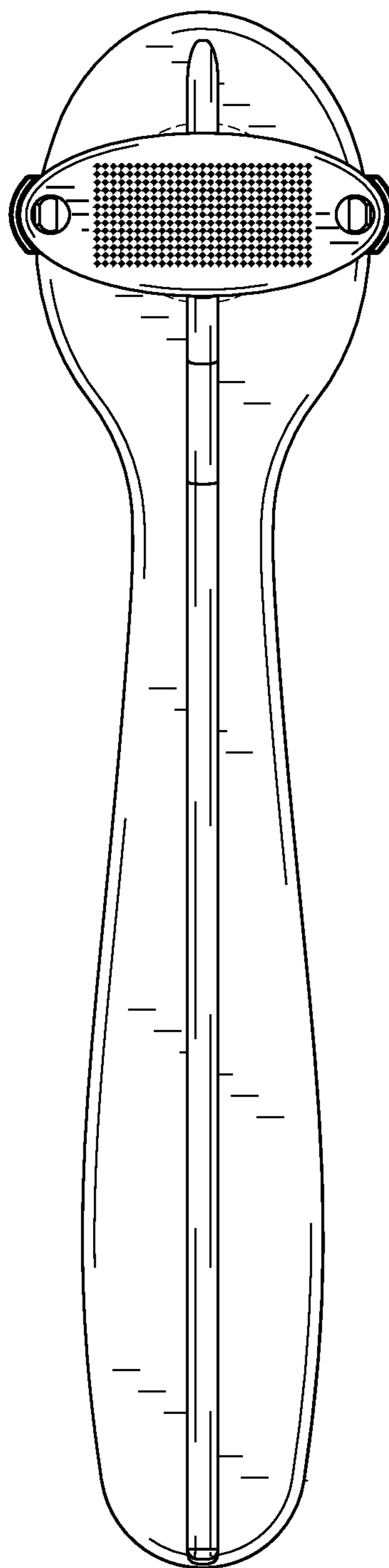


FIG. 6