



US00D687550S

(12) **United States Design Patent**  
**Moeckly et al.**

(10) **Patent No.:** **US D687,550 S**

(45) **Date of Patent:** **\*\* Aug. 6, 2013**

(54) **HANDLE FOR A MICRO-NEEDLE DEVICE**

(75) Inventors: **Craig S. Moeckly**, White Bear Lake, MN (US); **Ryan Patrick Simmers**, Cottage Grove, MN (US); **Erik J. Johnson**, Oakdale, MN (US); **Thomas G. Skulley**, St. Paul, MN (US)

(73) Assignee: **3M Innovative Properties Company**, St. Paul, MN (US)

(\*\*) Term: **14 Years**

(21) Appl. No.: **29/393,773**

(22) Filed: **Jun. 9, 2011**

(51) **LOC (9) Cl.** ..... **24-02**

(52) **U.S. Cl.**  
USPC ..... **D24/146**

(58) **Field of Classification Search**  
USPC . D24/133, 130, 146, 147, 200, 142; 604/506, 604/173, 272, 117, 46-48; 606/167, 184-186; D28/44-48; 600/555-557  
See application file for complete search history.

(56) **References Cited**

U.S. PATENT DOCUMENTS

60,917	A *	1/1867	Brown	604/46
D64,894	S *	6/1924	Fitzgeralds	D24/142
3,221,739	A	12/1965	Rosenthal	
4,745,910	A *	5/1988	Day et al.	601/41
D374,930	S *	10/1996	Scott	D24/142
D378,938	S *	4/1997	Solomon	D24/142
5,794,815	A	8/1998	Carlson et al.	
D406,891	S *	3/1999	Smith	D24/147
5,964,729	A *	10/1999	Choi et al.	604/47
6,030,404	A *	2/2000	Lawson et al.	606/186
6,091,975	A	7/2000	Daddona et al.	
6,219,574	B1	4/2001	Cormier et al.	
6,312,612	B1	11/2001	Sherman et al.	

(Continued)

FOREIGN PATENT DOCUMENTS

JP	D1393289	6/2010
WO	97/48561	12/1997

(Continued)

OTHER PUBLICATIONS

Ameri, M. et al.; "Parathyroid Hormone PTH(1-34) Formulation that Enables Uniform Coating on a Novel Transdermal Microprojection Delivery System"; *Pharmaceutical Research*; vol. 27, No. 2; 2009; pp. 303-313.

(Continued)

*Primary Examiner* — Ian Simmons  
*Assistant Examiner* — Carissa C Fitts

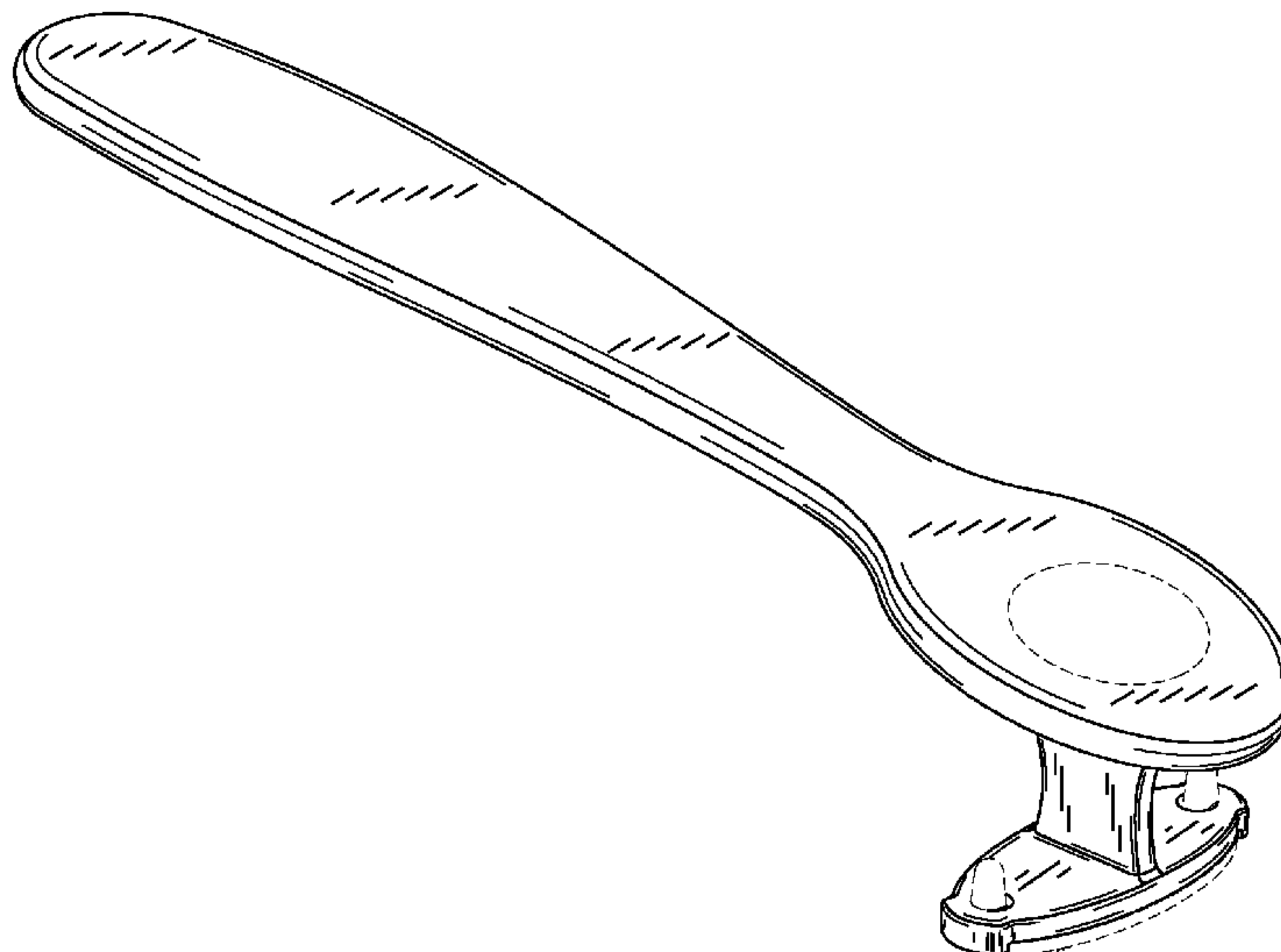
(57) **CLAIM**

The ornamental design for a handle for a micro-needle device, as shown and described.

**DESCRIPTION**

FIG. 1 is a top perspective view of a handle for a micro-needle device;  
FIG. 2 is a left side elevational view of the handle for a micro-needle device of FIG. 1; the right side elevational view being a mirror image thereof;  
FIG. 3 is a front elevational view of the handle for a micro-needle device of FIG. 1;  
FIG. 4 is a rear elevational view of the handle for a micro-needle device of FIG. 1;  
FIG. 5 is a top plan view of the handle for a micro-needle device of FIG. 1; and,  
FIG. 6 is a bottom plan view of the handle for a micro-needle device of FIG. 1.  
The portions of the figures depicted in broken lines are for illustrative purposes only and form no part of the claimed design.

**1 Claim, 3 Drawing Sheets**



# US D687,550 S

Page 2

## U.S. PATENT DOCUMENTS

6,379,324 B1 4/2002 Gartstein et al.  
D465,847 S \* 11/2002 Jacobs ..... D24/147  
D484,978 S \* 1/2004 Syal ..... D24/147  
7,131,960 B2 \* 11/2006 Trautman et al. .... 604/46  
7,226,439 B2 \* 6/2007 Prausnitz et al. .... 604/506  
D567,945 S \* 4/2008 Foster et al. .... D24/147  
7,537,795 B2 5/2009 Cormier et al.  
D595,410 S \* 6/2009 Luzon ..... D24/146  
D636,531 S \* 4/2011 Wilson ..... D28/46  
D636,938 S \* 4/2011 White et al. .... D28/48  
D638,580 S \* 5/2011 Adams et al. .... D28/46  
D648,435 S \* 11/2011 Brodbeck ..... D24/146  
D659,843 S \* 5/2012 Wang ..... D24/200  
D672,047 S \* 12/2012 Hsu ..... D24/200  
8,353,861 B2 \* 1/2013 Tobinaga et al. .... 604/46  
8,376,984 B2 \* 2/2013 James ..... 604/46

2003/0199811 A1\* 10/2003 Sage et al. .... 604/46  
2004/0087992 A1\* 5/2004 Gartstein et al. .... 606/186  
2005/0261631 A1 11/2005 Clarke et al.  
2007/0066919 A1\* 3/2007 Gueret ..... 601/138  
2010/0262081 A1 10/2010 Lee et al.

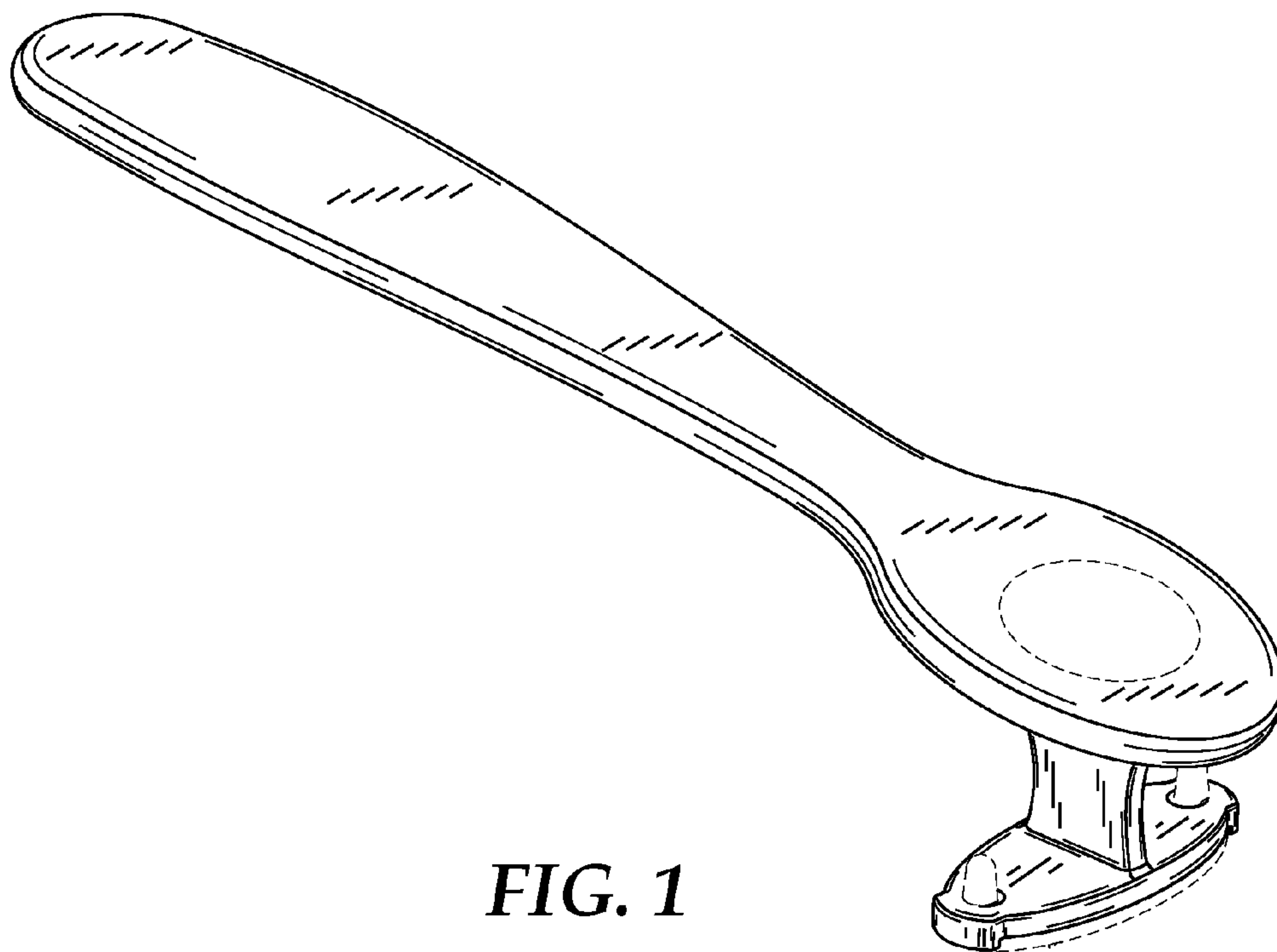
## FOREIGN PATENT DOCUMENTS

WO 2006/062974 6/2006  
WO 2007/112309 10/2007  
WO 2011/075569 6/2011  
WO 2012/074576 6/2012

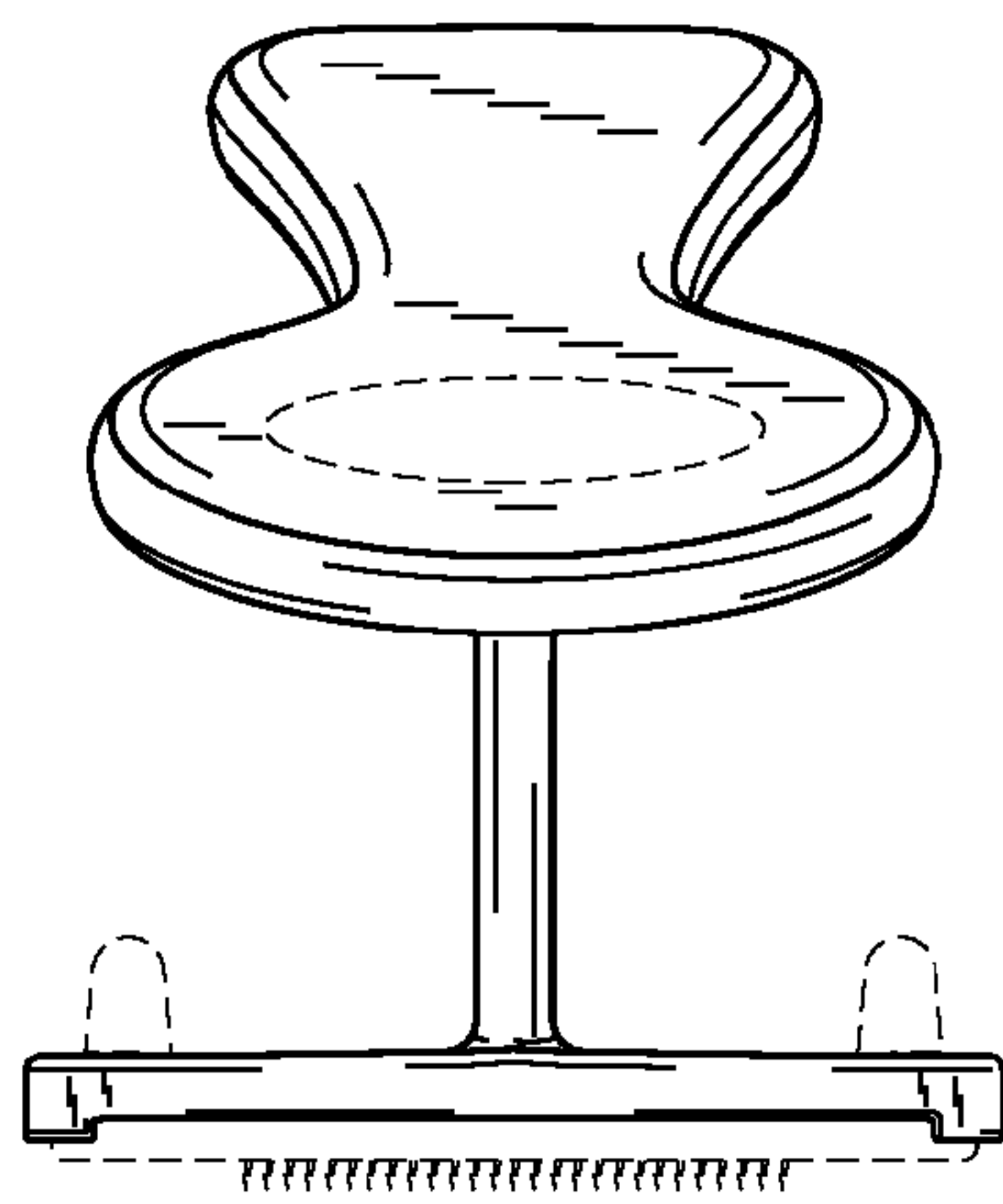
## OTHER PUBLICATIONS

Brochure page entitled "There's a really big skin care story behind these teeny tiny holes"; Feb. 2011; 1 pg.

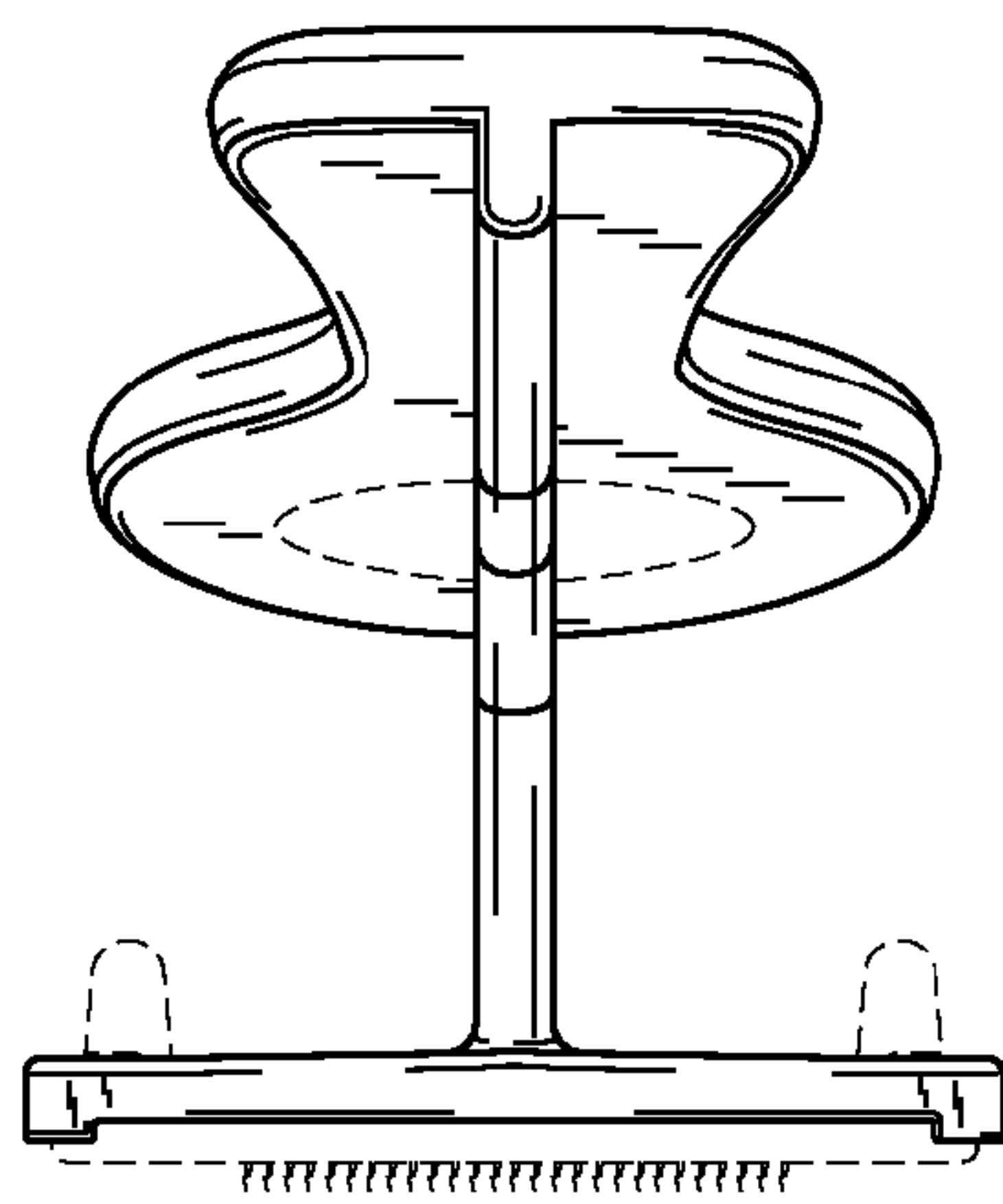
\* cited by examiner



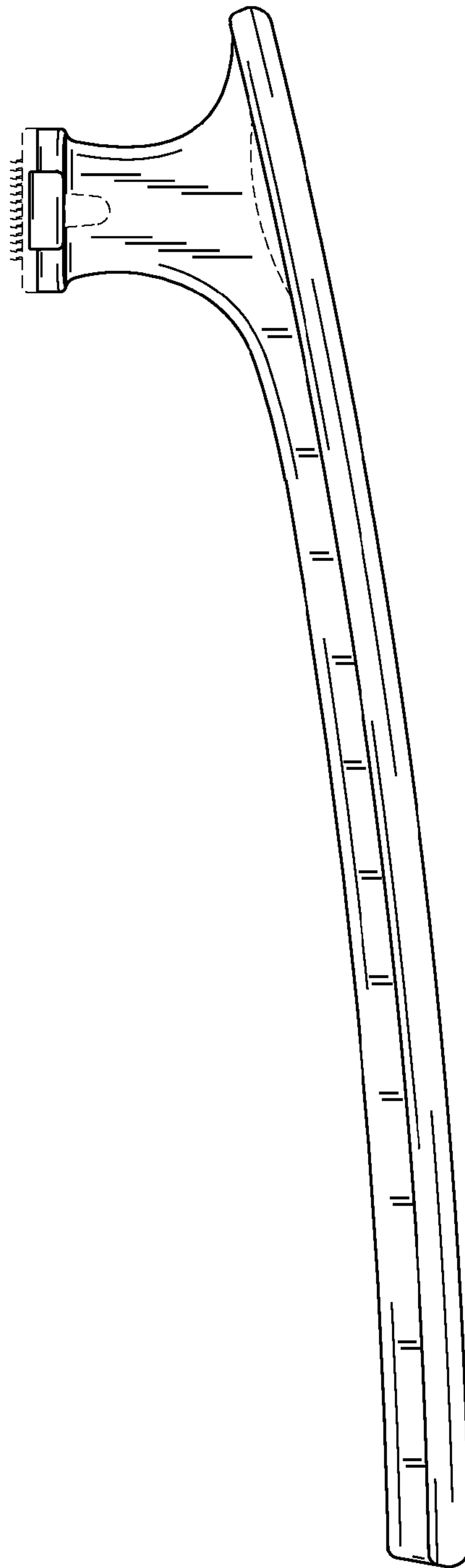
*FIG. 1*



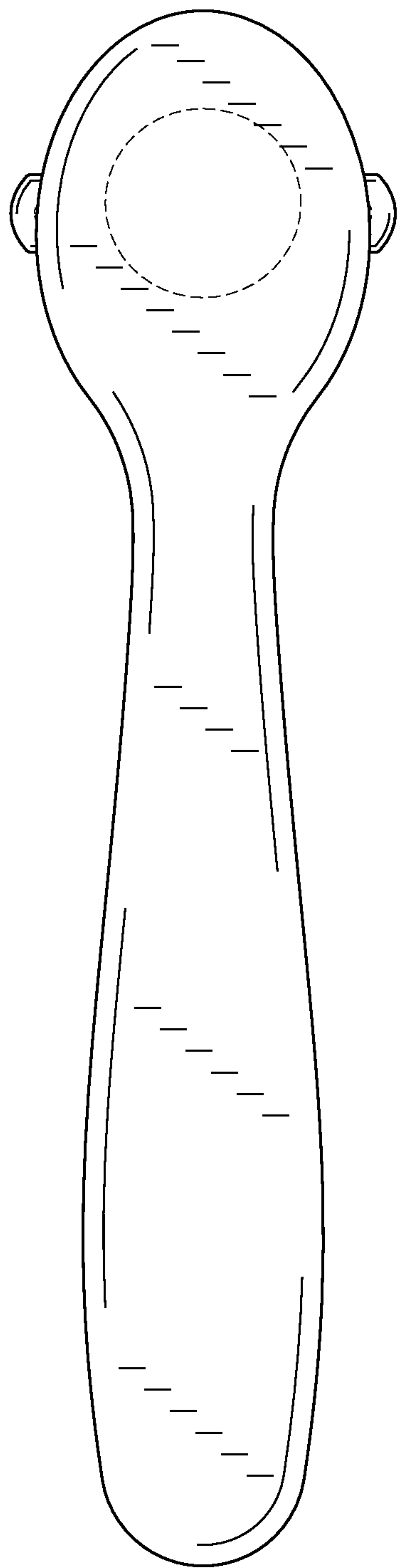
**FIG. 3**



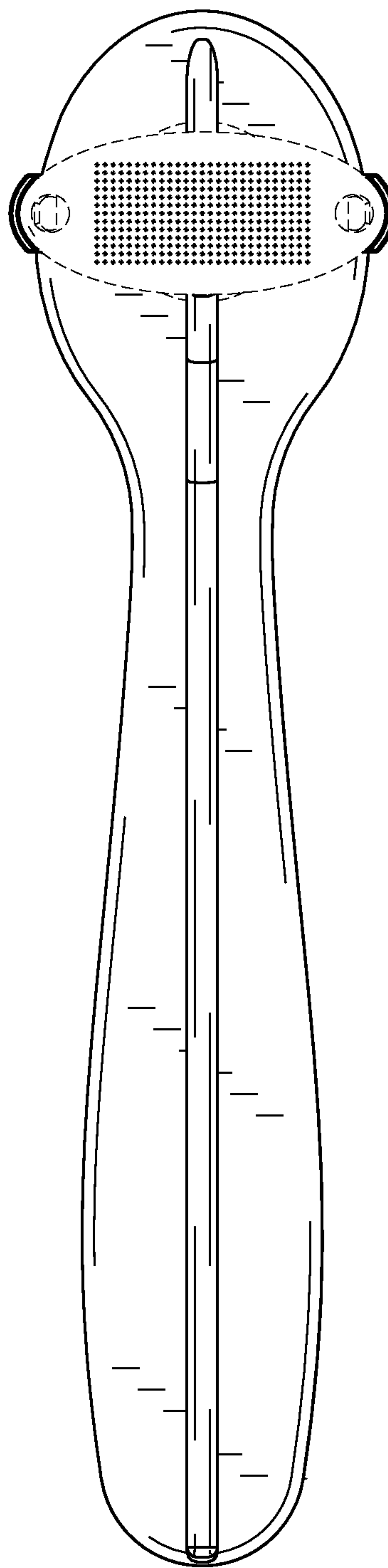
**FIG. 4**



**FIG. 2**



**FIG. 5**



**FIG. 6**