



US00D687548S

(12) **United States Design Patent**
Hayashi

(10) **Patent No.:** **US D687,548 S**
(45) **Date of Patent:** **** Aug. 6, 2013**

(54) **GUIDEWIRE INTRODUCER NEEDLE**

(75) Inventor: **Teppei Hayashi**, Shizuoka (JP)

(73) Assignee: **Terumo Kabushiki Kaisha** (JP)

(**) Term: **14 Years**

(21) Appl. No.: **29/407,546**

(22) Filed: **Nov. 30, 2011**

(30) **Foreign Application Priority Data**

May 31, 2011 (JP) 2011-012301

(51) **LOC (9) Cl.** **24-02**

(52) **U.S. Cl.**
USPC **D24/130**

(58) **Field of Classification Search**
USPC . D24/127-131, 112-114, 133, 186; 606/181,
606/185; 604/264, 272, 115, 232, 187, 158,
604/164.08, 192, 263, 163, 181, 184, 198,
604/227; 600/101, 139, 143; 128/200.24,
128/207.14, 207.15
See application file for complete search history.

(56) **References Cited**

U.S. PATENT DOCUMENTS

D250,349 S * 11/1978 McFarlane D24/112
4,317,445 A * 3/1982 Robinson D24/112
5,030,205 A * 7/1991 Holdaway et al. 604/264
D355,031 S * 1/1995 Yoshikawa D24/112

5,735,865 A * 4/1998 Schaumann et al. 606/167
D397,434 S * 8/1998 Pike D24/112
5,906,594 A * 5/1999 Scarfone et al. 604/264
5,957,902 A * 9/1999 Teves 604/264
D445,495 S * 7/2001 Schaefer et al. D24/114
D471,980 S 3/2003 Caizza
D620,107 S * 7/2010 Bartlett et al. D24/112
D630,735 S * 1/2011 Behrbohm D24/133
D668,336 S * 10/2012 Yanagawa D24/130
D673,670 S * 1/2013 Linnenschmidt D24/112

FOREIGN PATENT DOCUMENTS

JP 902707 7/1994

* cited by examiner

Primary Examiner — David Muller

(74) *Attorney, Agent, or Firm* — Banner & Witcoff, Ltd.

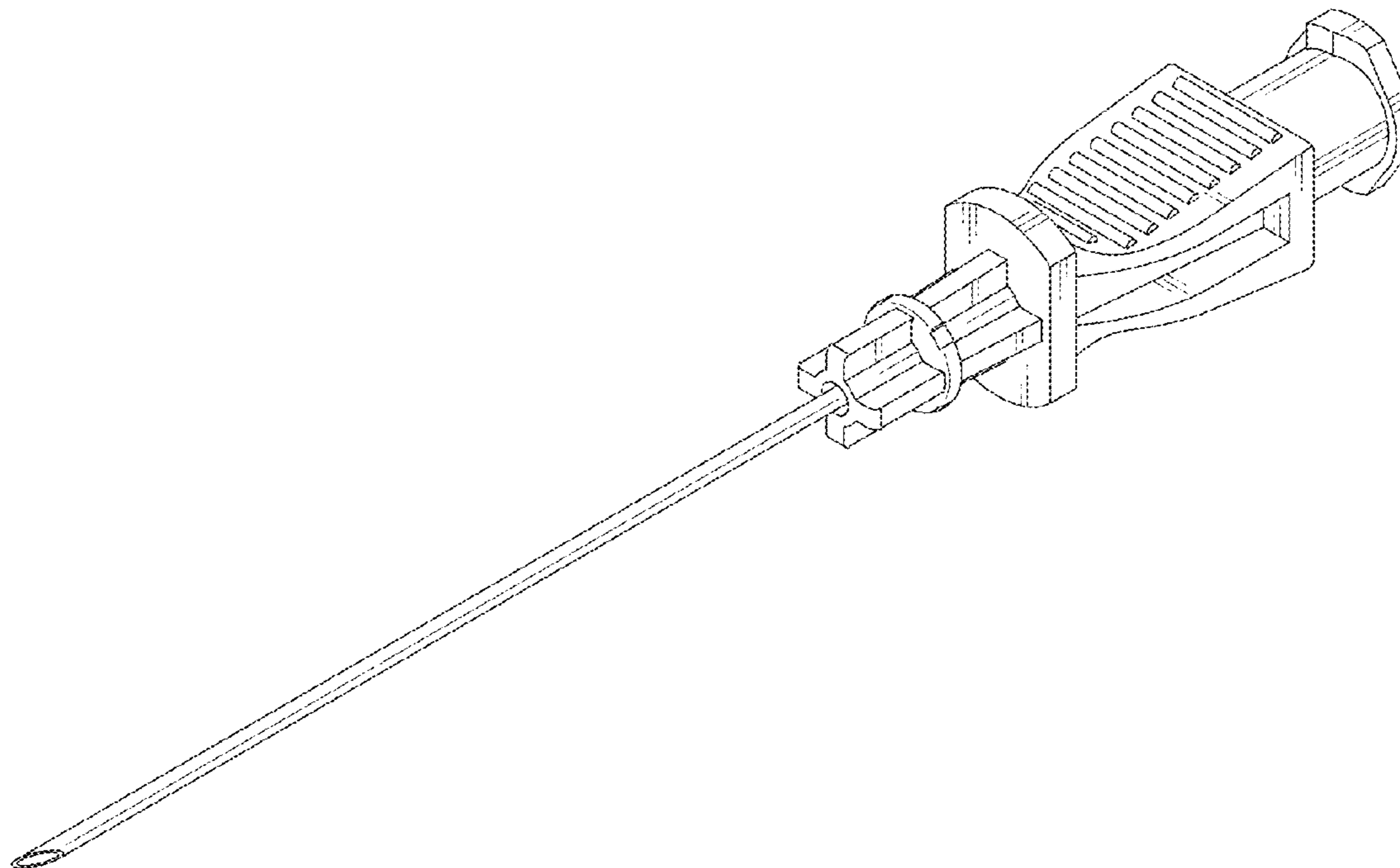
(57) **CLAIM**

The ornamental design for guidewire introducer needle, as shown and described.

DESCRIPTION

FIG. 1 is a front perspective view of a guidewire introducer needle showing my new design;
FIG. 2 is a front view thereof;
FIG. 3 is a rear view thereof;
FIG. 4 is a left side view thereof;
FIG. 5 is a right side view thereof;
FIG. 6 is a top plan view thereof;
FIG. 7 is a bottom view thereof; and,
FIG. 8 is a cross-sectional view along an arrow 8-8.

1 Claim, 4 Drawing Sheets



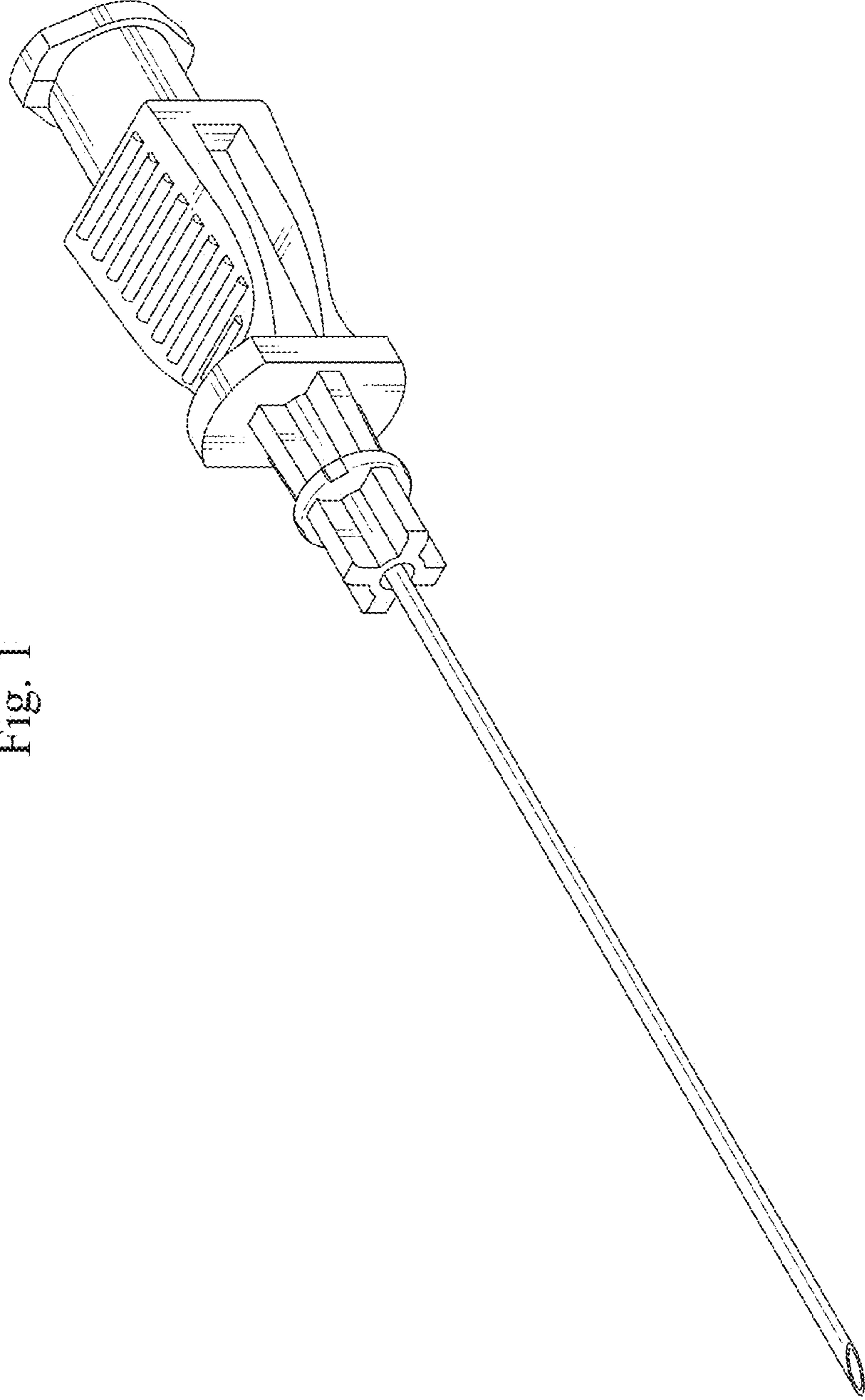


Fig. 1

Fig. 2

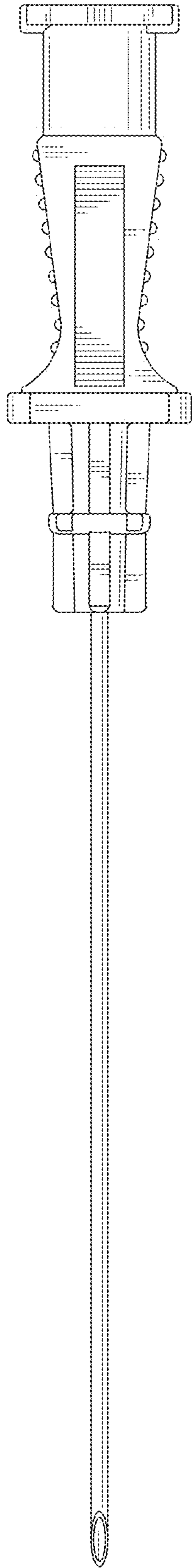


Fig. 3

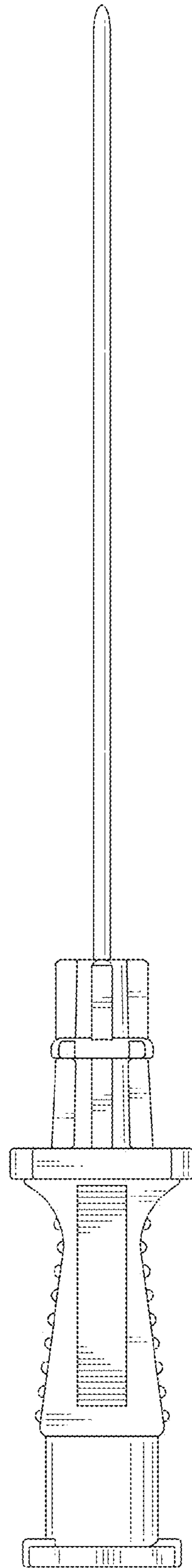


Fig. 4

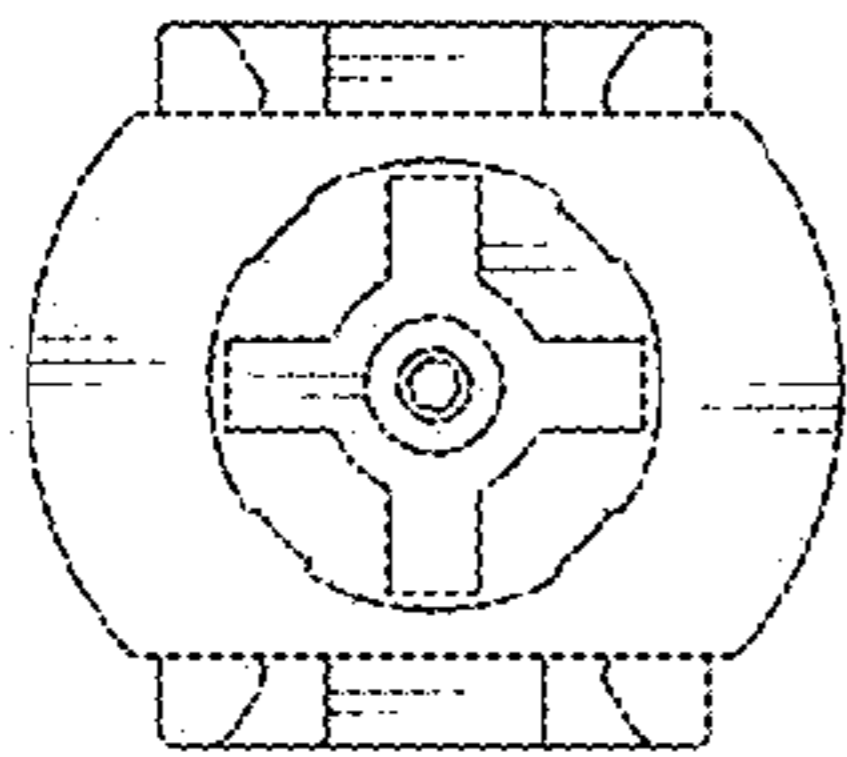


Fig. 5

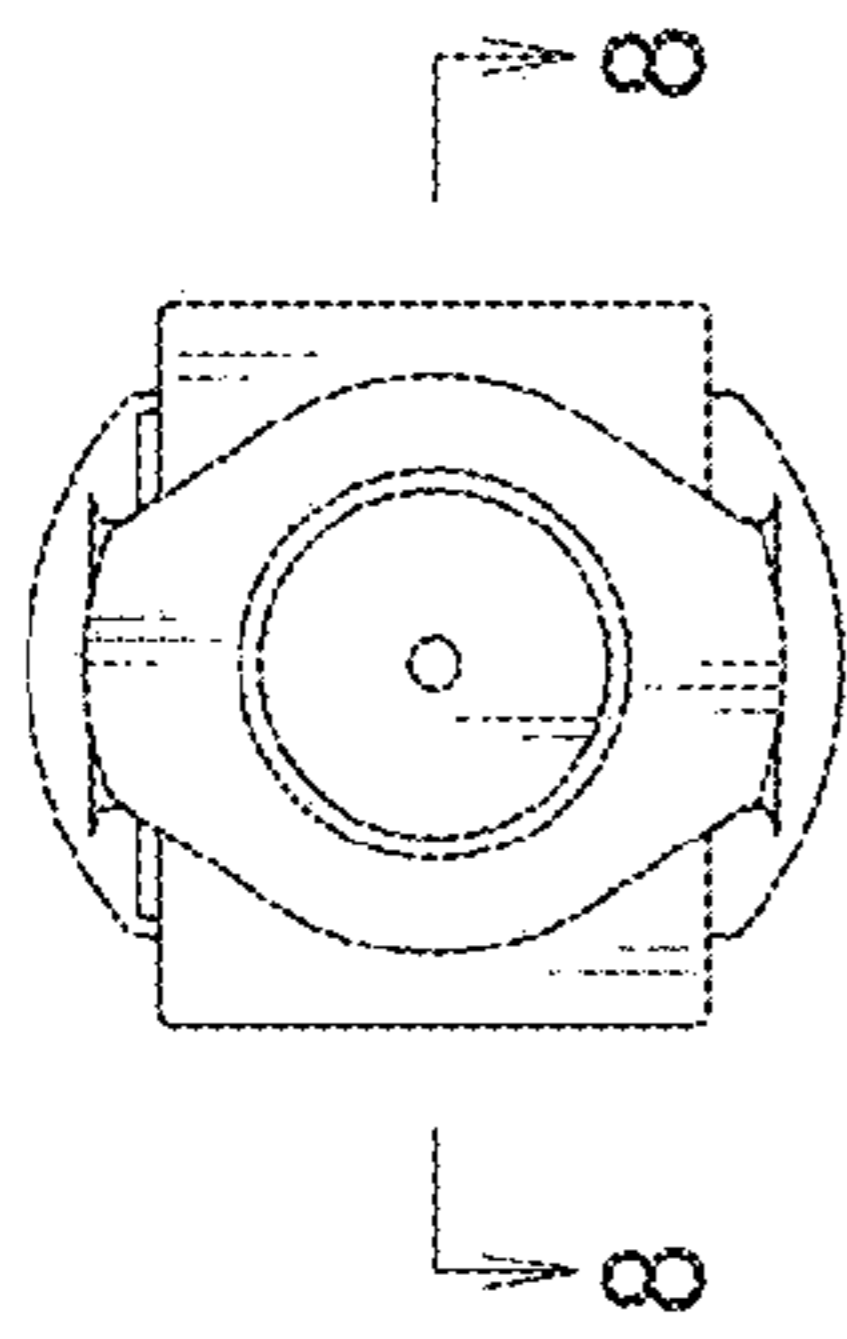


Fig. 6

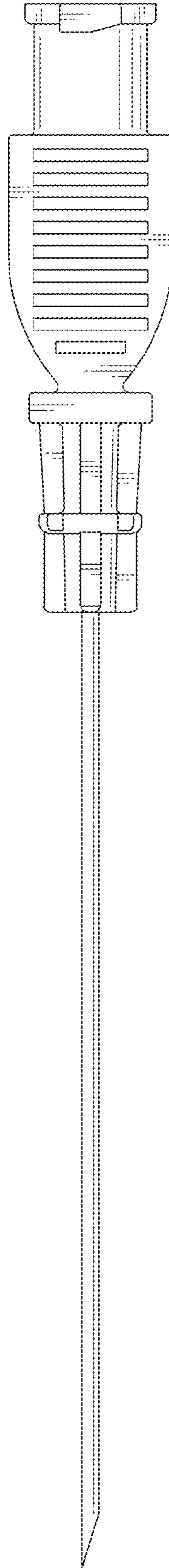
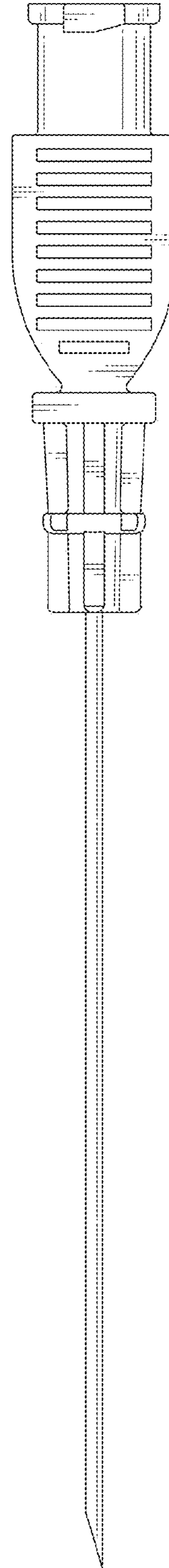


Fig. 7



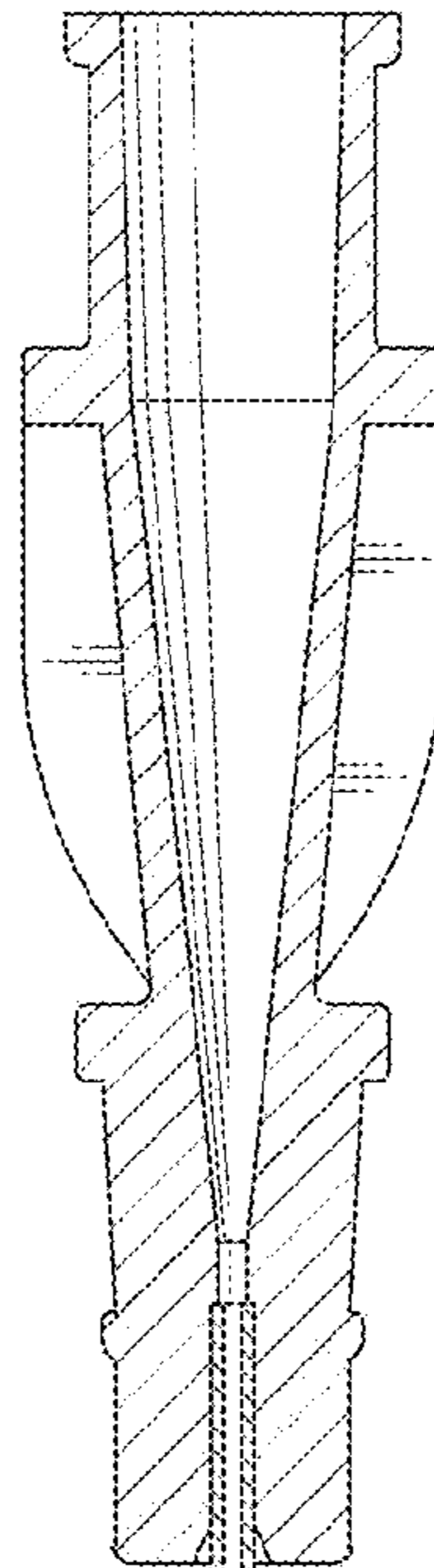


Fig. 8

