



US00D687547S

(12) **United States Design Patent**
Wang

(10) **Patent No.:** **US D687,547 S**

(45) **Date of Patent:** **** Aug. 6, 2013**

(54) **DEVICE FOR INSERTION INTO THE CHEST FOR HEALING A TUMOR**

D592,304 S * 5/2009 Kuehfuss D24/128
7,569,036 B2 * 8/2009 Domkowski et al. 604/232
7,569,044 B2 * 8/2009 Triplett et al. 604/192
7,744,567 B2 * 6/2010 Glowacki et al. 604/110

(76) Inventor: **Hsien-Tsung Wang**, Taipei (TW)

* cited by examiner

(**) Term: **14 Years**

Primary Examiner — David Muller

(21) Appl. No.: **29/402,838**

(74) *Attorney, Agent, or Firm* — Jackson IPG PLLC

(22) Filed: **Sep. 28, 2011**

(57) **CLAIM**

(51) **LOC (9) Cl.** **24-02**

The ornamental design for a device for insertion into the chest for healing a tumor, as shown and described.

(52) **U.S. Cl.**

USPC **D24/130**

(58) **Field of Classification Search**

USPC . D24/127-131, 112-114, 133, 186; 606/181,
606/185; 604/264, 272, 115, 232, 187, 158,
604/164.08, 192, 263, 163, 181, 184, 198,
604/227; 600/101, 139, 143; 128/200.24,
128/207.14, 207.15

See application file for complete search history.

DESCRIPTION

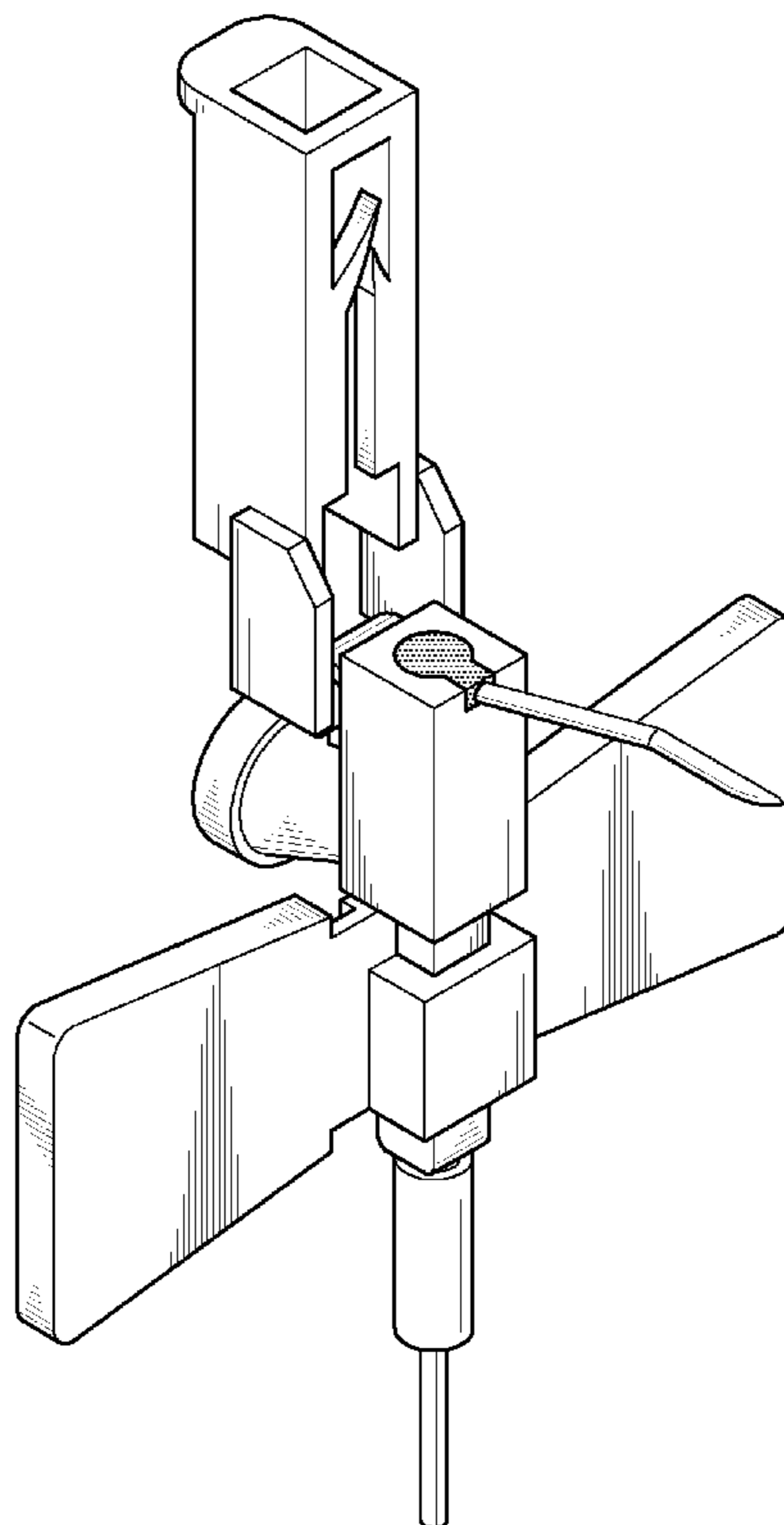
(56) **References Cited**

U.S. PATENT DOCUMENTS

D246,115 S * 10/1977 Citrin D24/130
D247,576 S * 3/1978 Ekberg D24/130
D346,217 S * 4/1994 Sparker et al. D24/133
D362,062 S * 9/1995 Botts et al. D24/129
5,830,152 A * 11/1998 Tao 604/227
D452,001 S * 12/2001 Crawford et al. D24/112
D469,529 S * 1/2003 Niermann et al. D24/130
D492,031 S * 6/2004 Cindrich et al. D24/130
6,969,372 B1 * 11/2005 Halseth 604/164.08

FIG. 1 is a front perspective view showing my new design for a device for insertion into the chest for healing a tumor;
FIG. 2 is a front elevation view thereof;
FIG. 3 is a rear elevation view thereof;
FIG. 4 is a left side elevation view thereof;
FIG. 5 is a right side elevation view thereof;
FIG. 6 is a top plan view thereof;
FIG. 7 is a bottom plan view thereof;
FIG. 8 is a rear perspective view thereof;
FIG. 9 is a rear perspective view thereof showing the device in use;
FIG. 10 is a rear perspective view thereof showing the device in use in a different configuration; and,
FIG. 11 is a rear perspective view thereof showing the device in use in a different configuration.

1 Claim, 10 Drawing Sheets



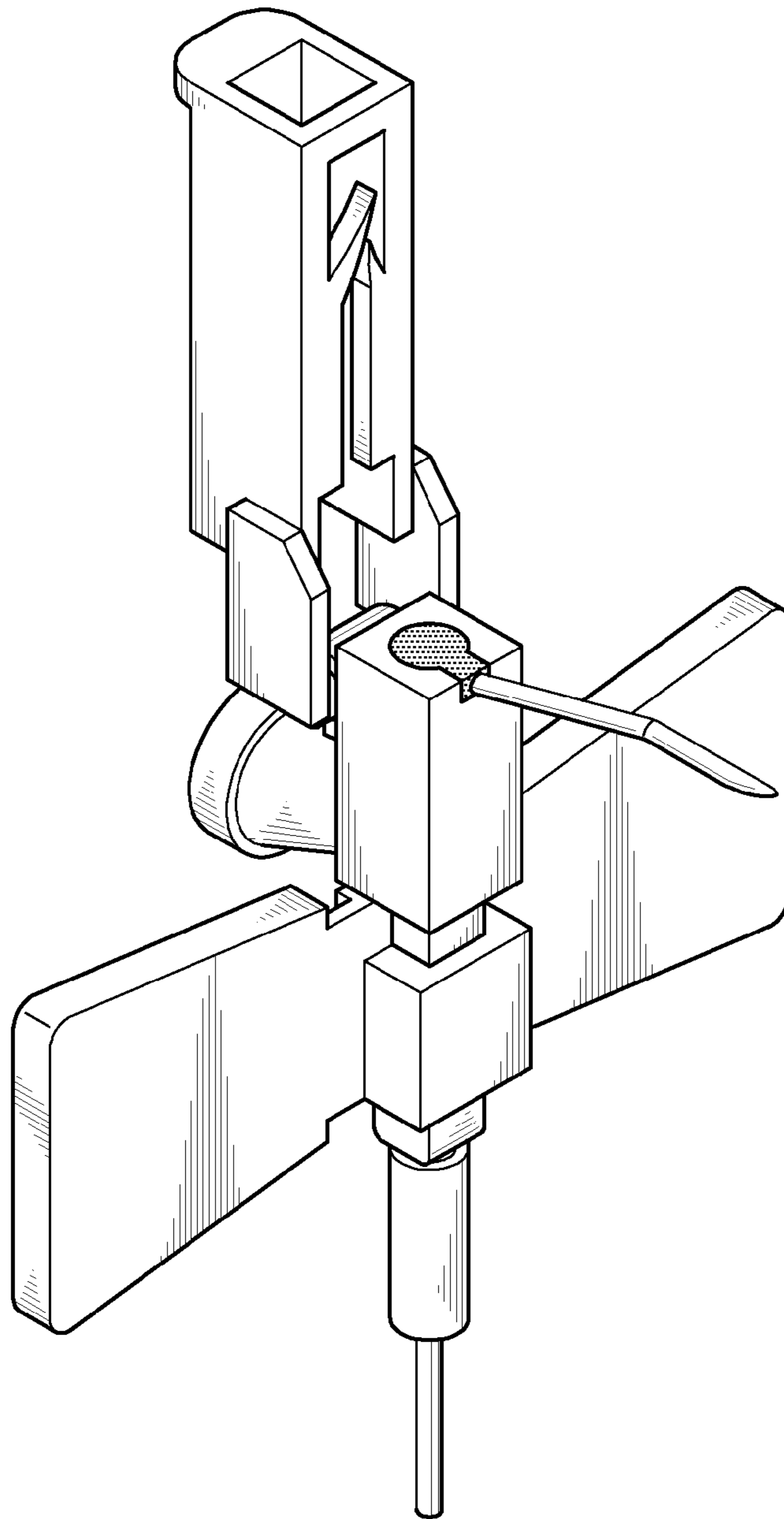


FIG. 1

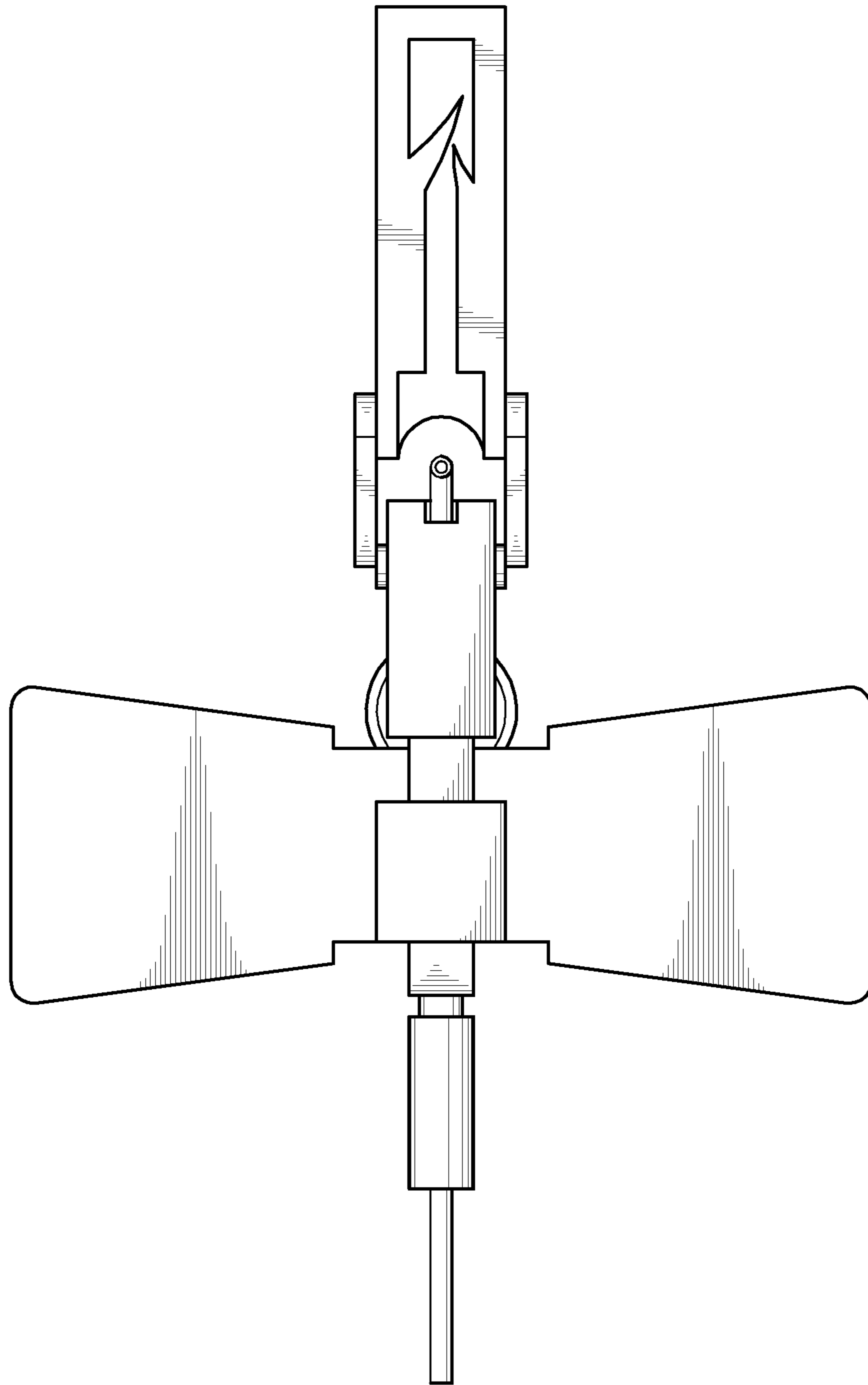


FIG.2

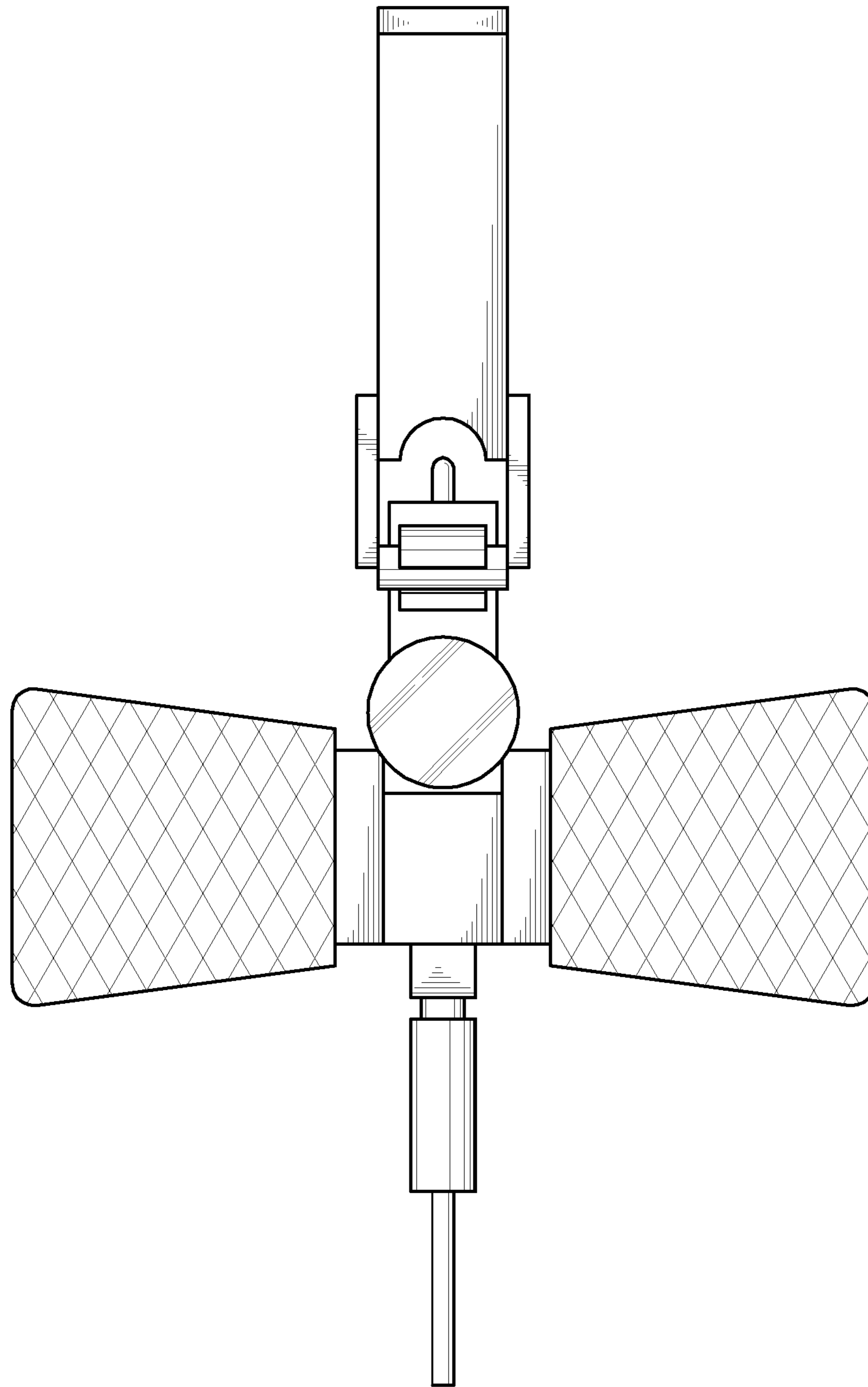


FIG.3

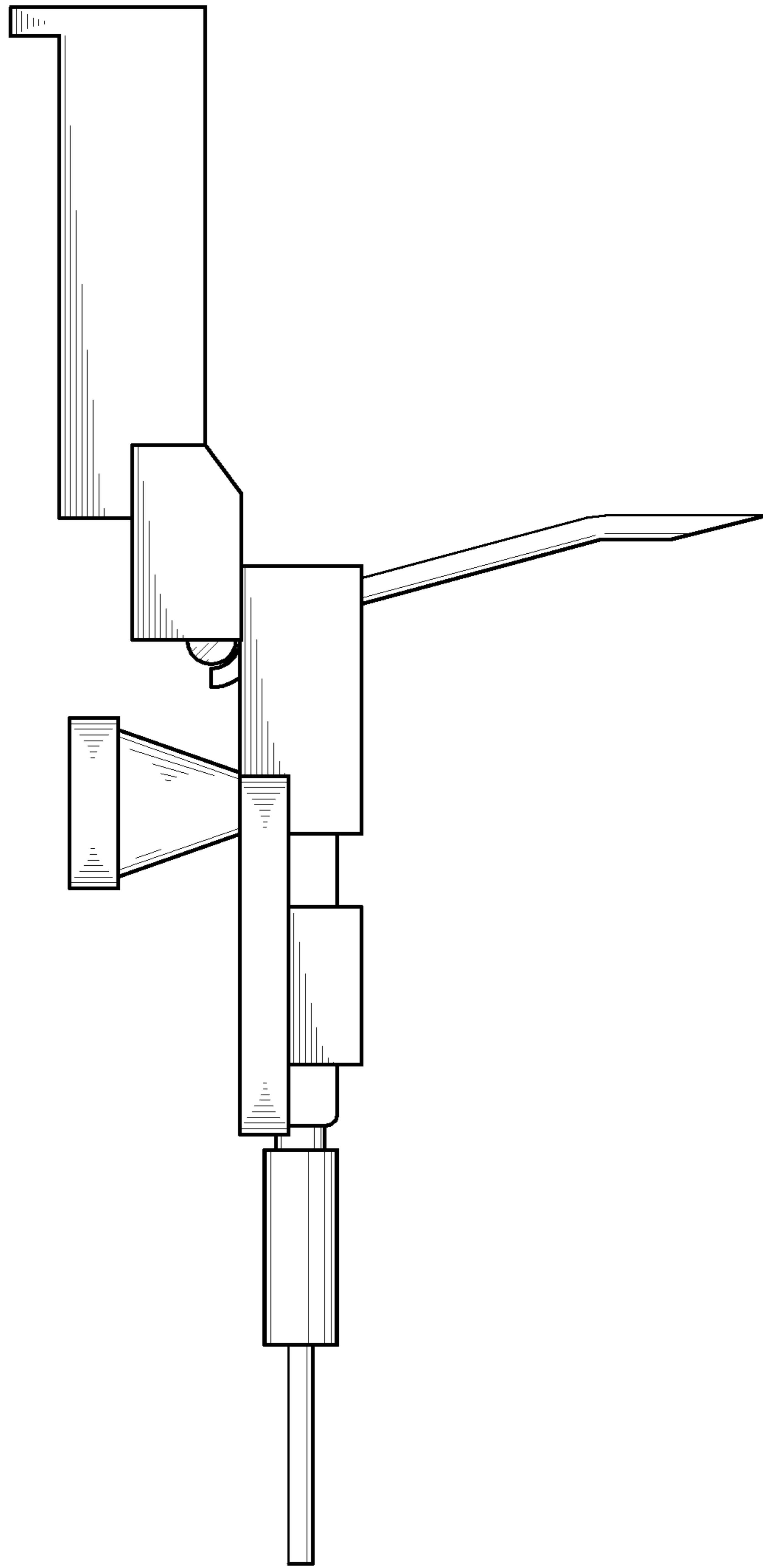


FIG.4

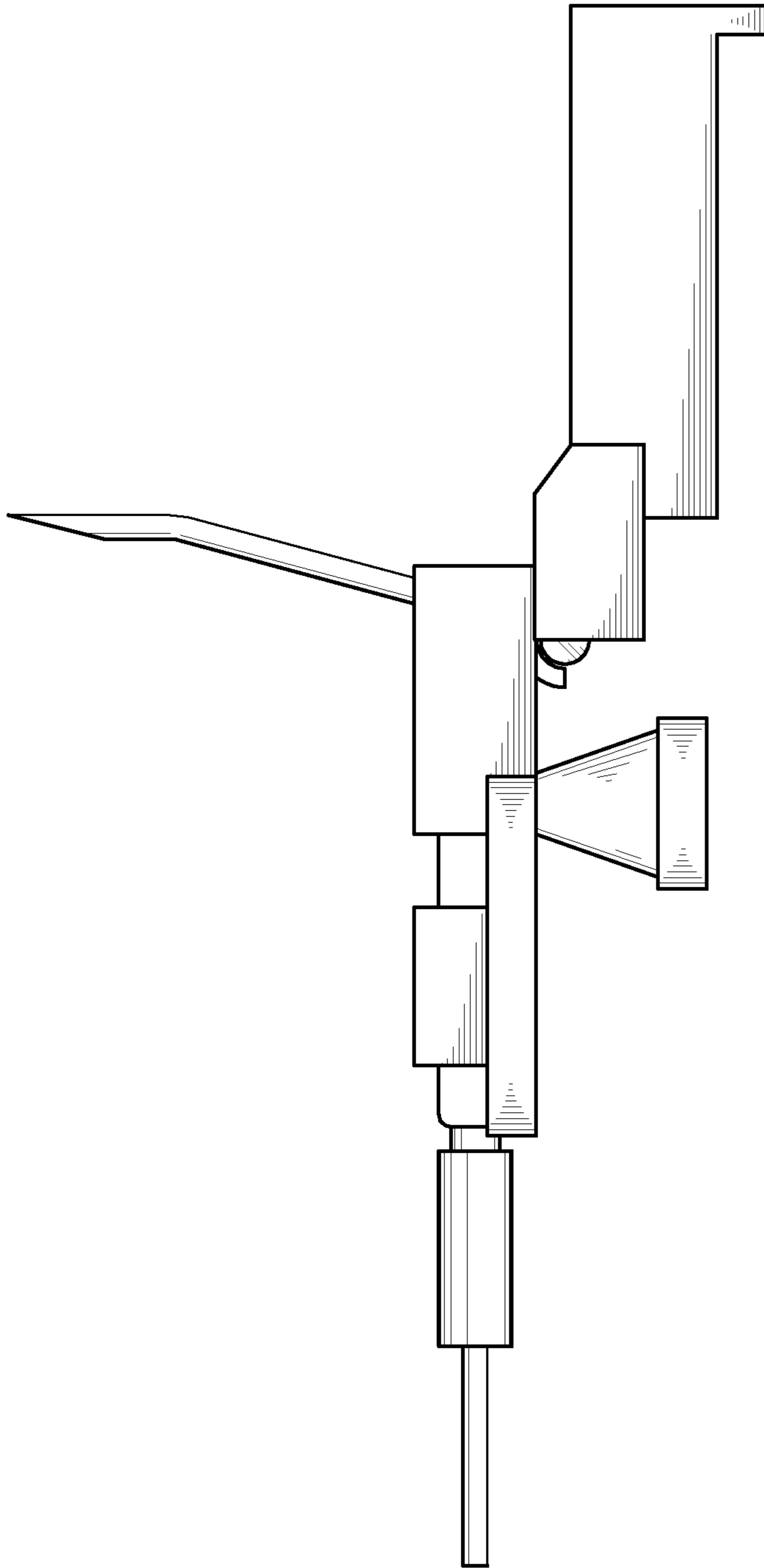


FIG.5

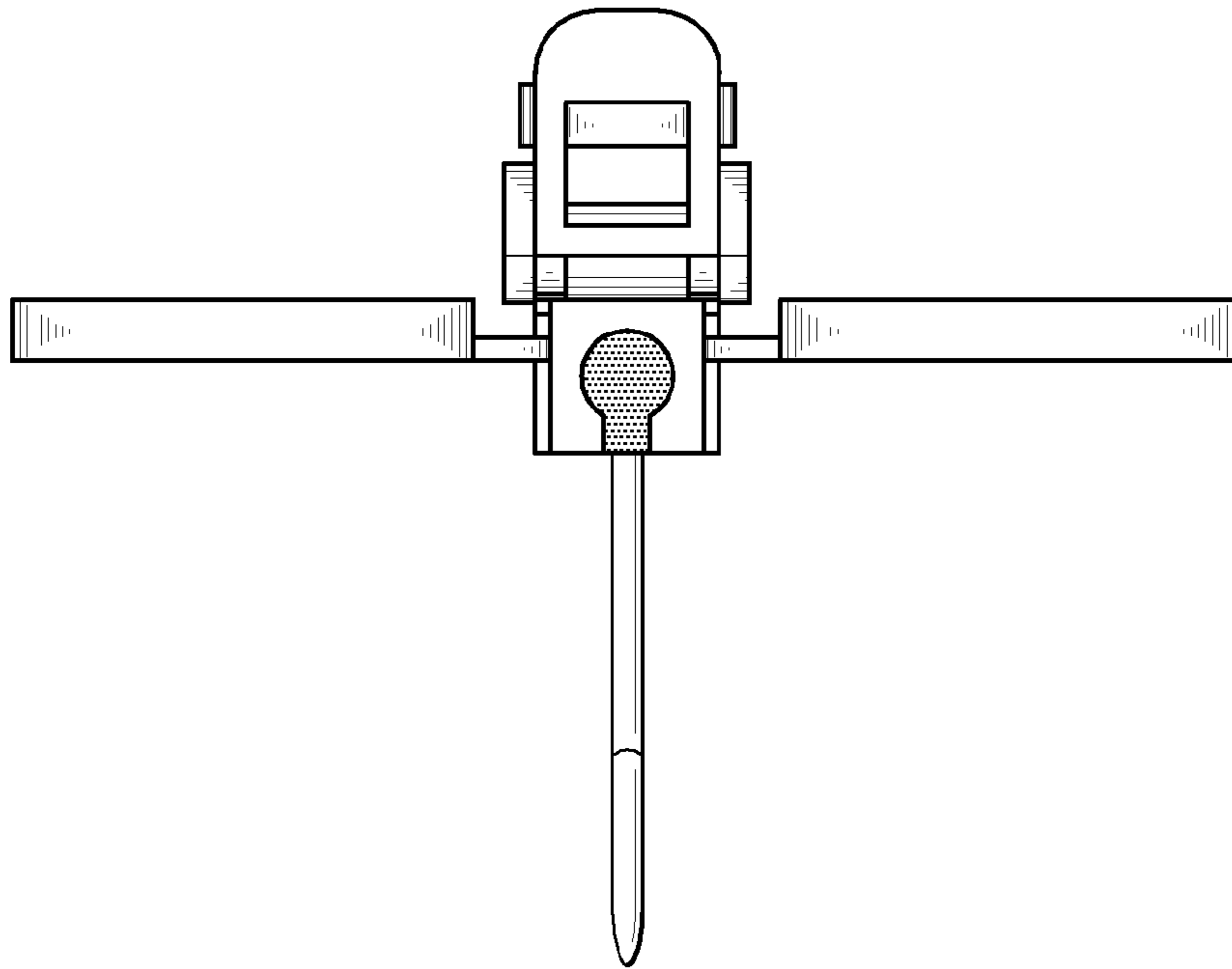


FIG. 6

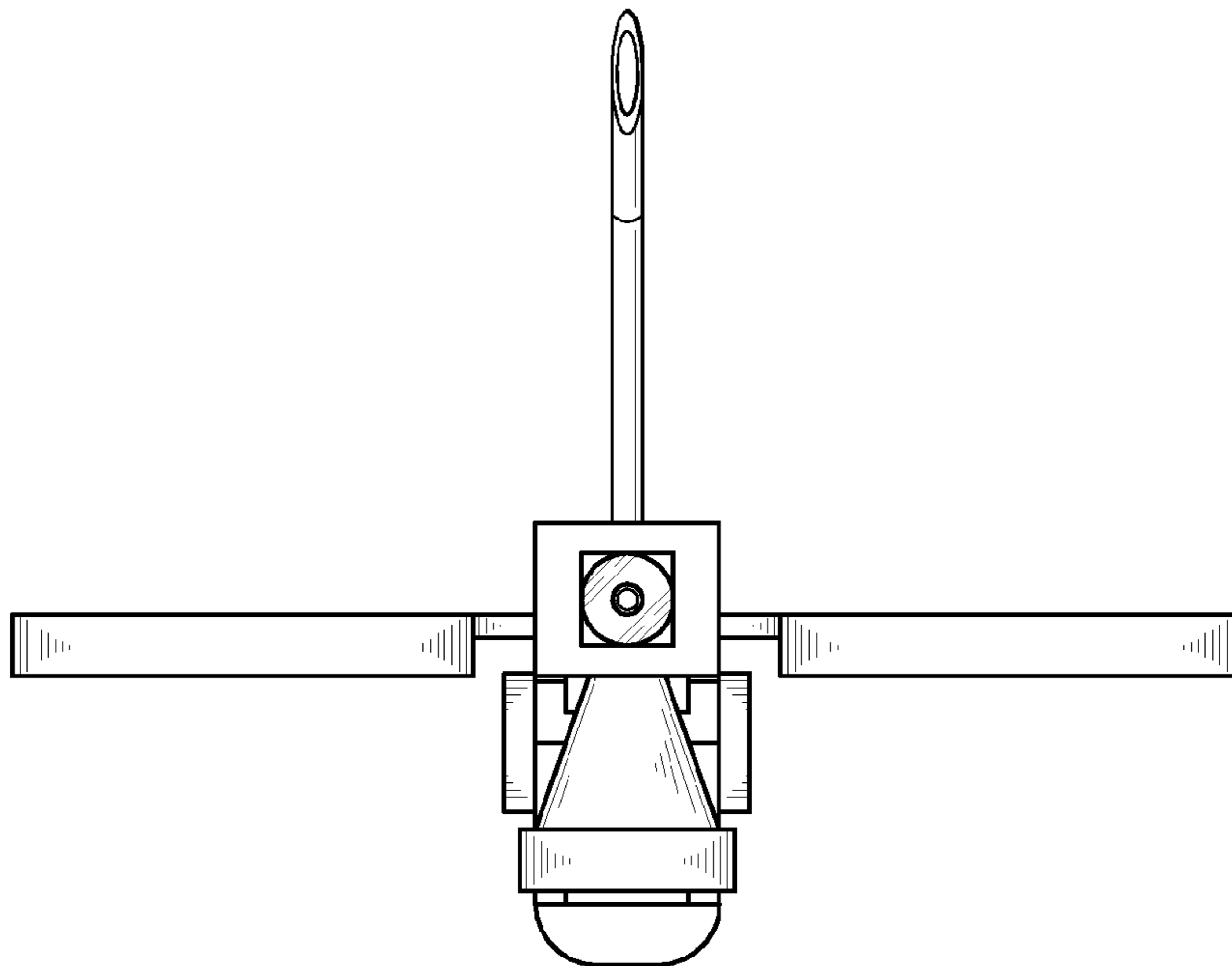


FIG. 7

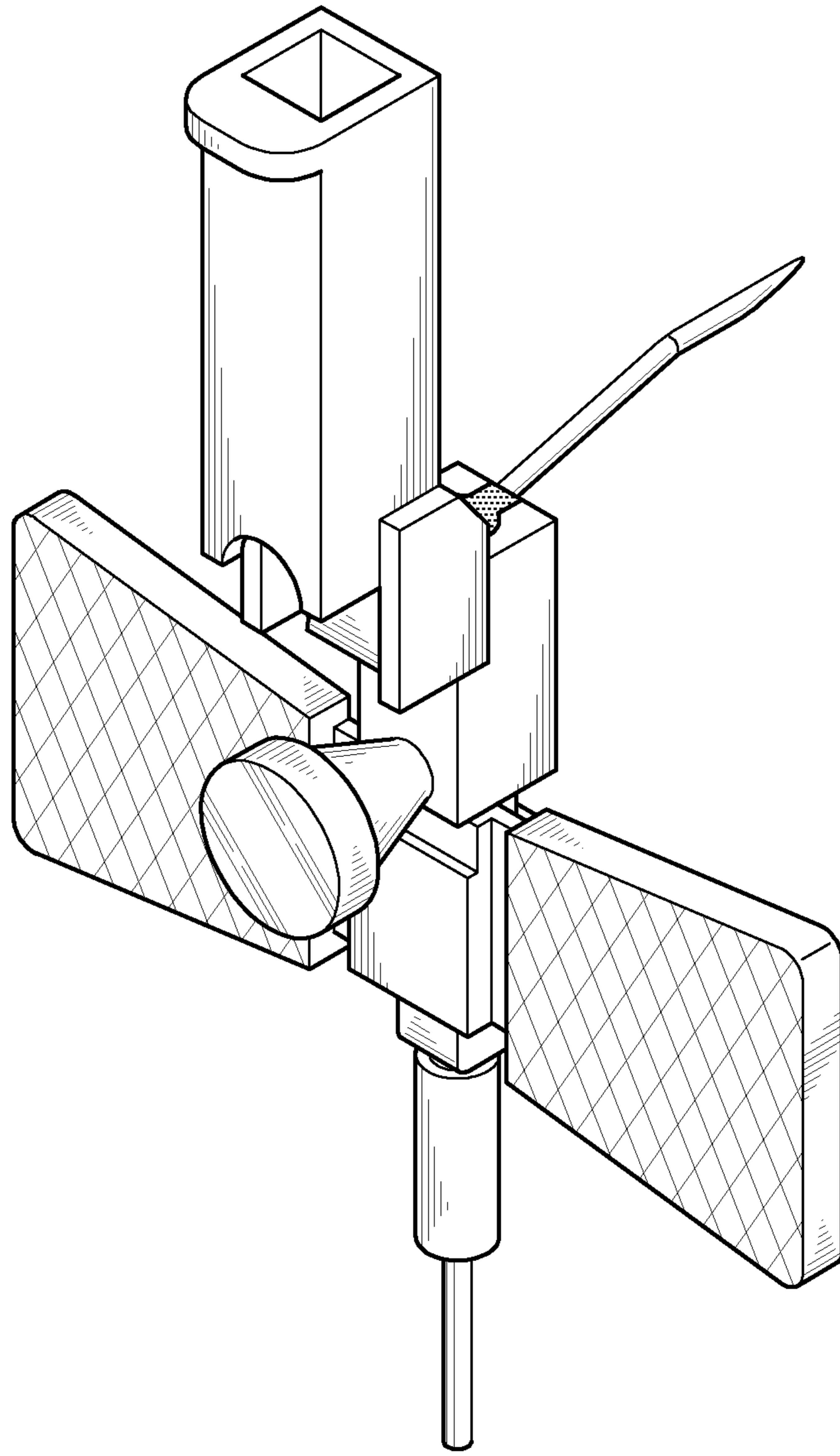


FIG. 8

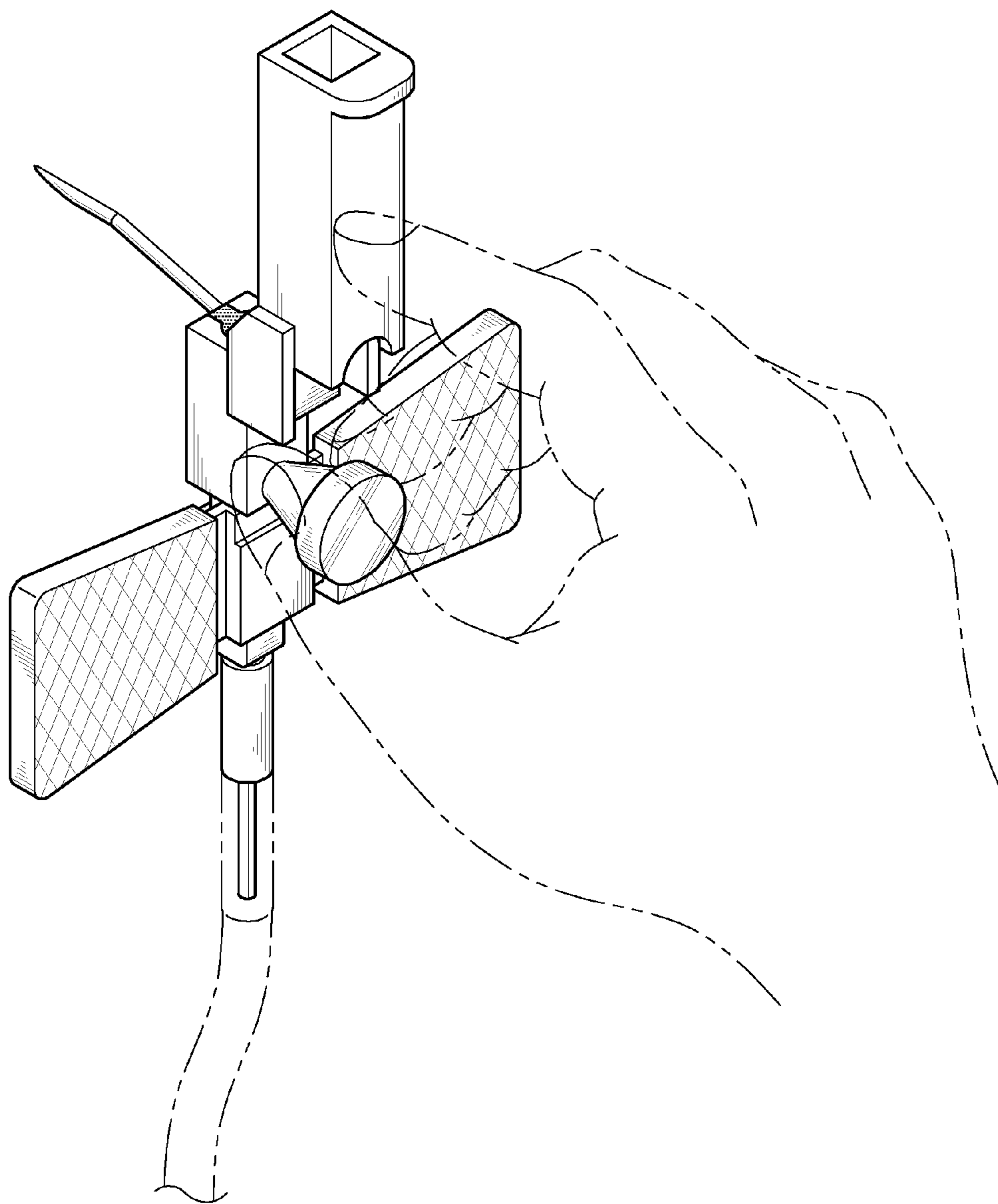


FIG.9

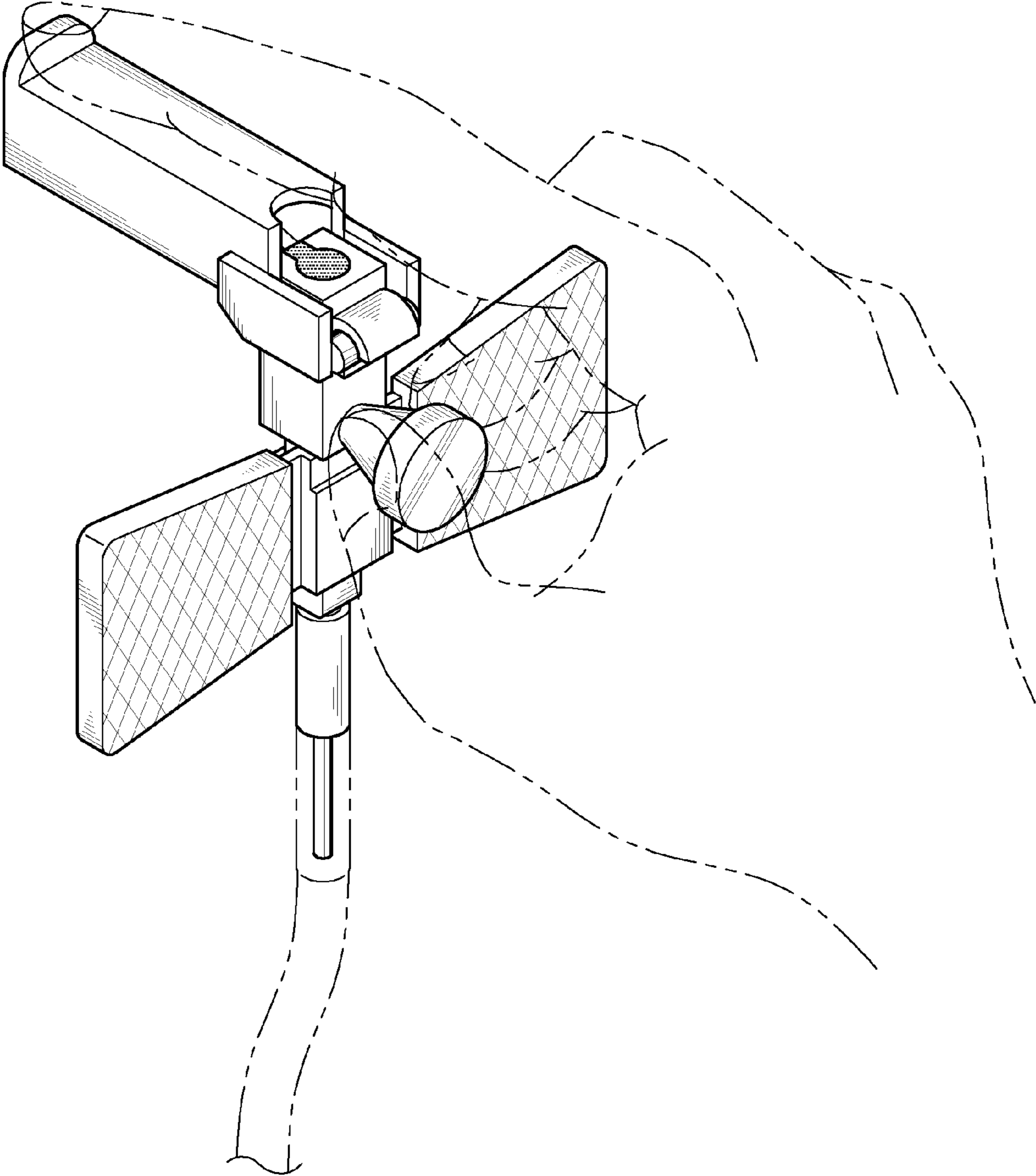


FIG.10

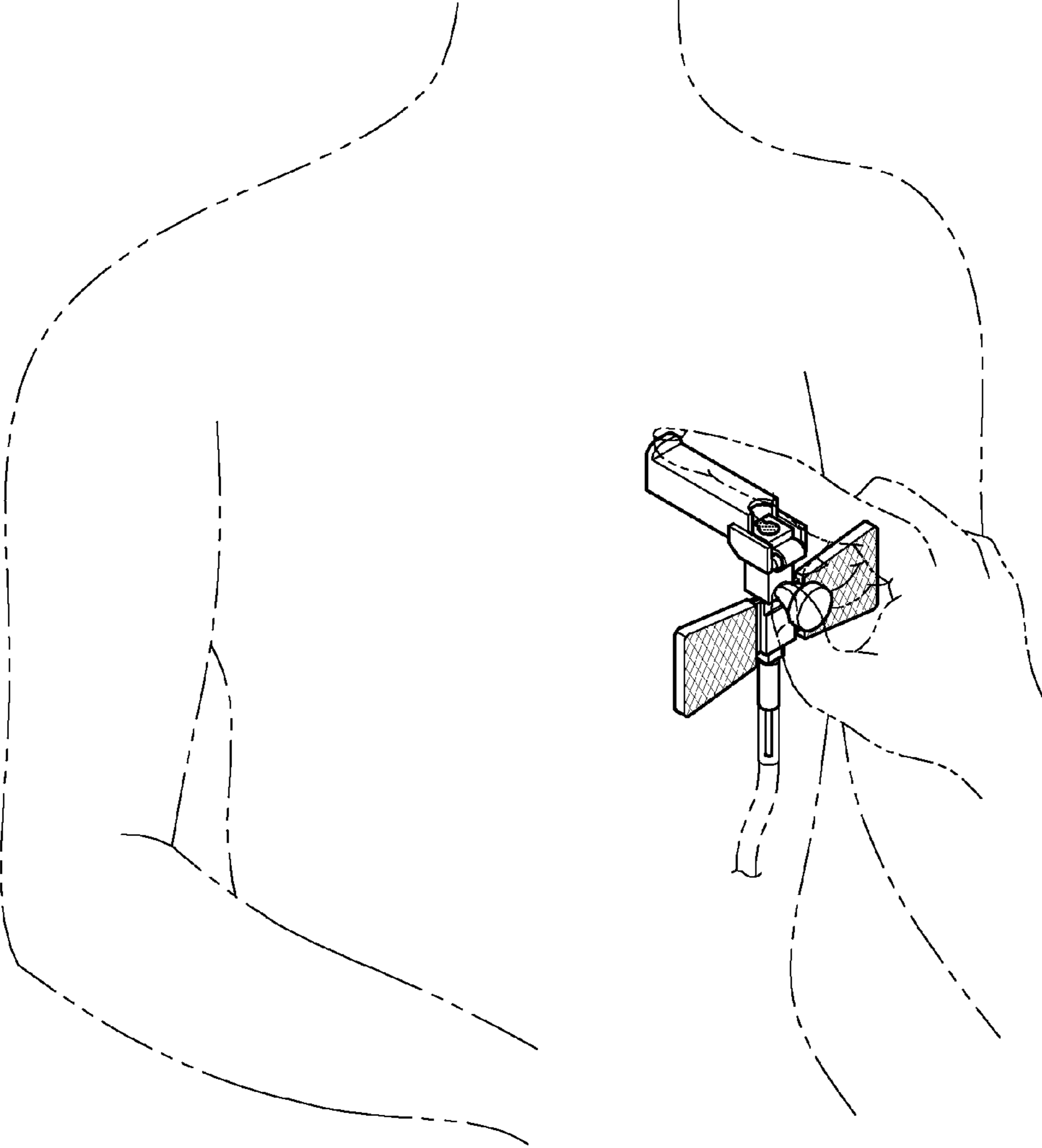


FIG.11