



US00D687542S

(12) **United States Design Patent**
Esposito

(10) **Patent No.:** **US D687,542 S**

(45) **Date of Patent:** **** Aug. 6, 2013**

(54) **SUCTION AND IRRIGATION TIP FOR LAPAROSCOPIC SURGERY**

(76) Inventor: **Michael Esposito**, Franklin Lakes, NJ (US)

(**) Term: **14 Years**

(21) Appl. No.: **29/429,590**

(22) Filed: **Aug. 14, 2012**

(51) **LOC (9) Cl.** **24-02**

(52) **U.S. Cl.**
USPC **D24/112**

(58) **Field of Classification Search**
USPC . D24/112-114, 133, 186, 130, 127; 606/181, 606/185; 604/264, 272, 115, 164.01-164.09, 604/533, 232, 187, 168.01, 192, 19, 48, 93.01, 604/523, 524, 526; 600/114, 101, 139, 143; 128/200.24, 207.14, 207.15

See application file for complete search history.

(56) **References Cited**

U.S. PATENT DOCUMENTS

D264,133	S	*	4/1982	Genese	D24/112
4,613,329	A	*	9/1986	Bodicky	604/158
4,765,314	A		8/1988	Kolditz et al.		
4,969,875	A	*	11/1990	Ichikawa	604/164.1
D327,318	S	*	6/1992	Dudar et al.	D24/112
5,149,329	A	*	9/1992	Richardson	604/272
5,344,411	A	*	9/1994	Domb et al.	604/265
D370,531	S	*	6/1996	Ash et al.	D24/112
D406,643	S	*	3/1999	Niedospial et al.	D24/112
5,895,401	A	*	4/1999	Daum et al.	606/185

6,562,024	B2	*	5/2003	Alvarez de Toledo et al.	604/523
6,984,203	B2		1/2006	Tartaglia et al.		
7,691,103	B2		4/2010	Fernandez et al.		
7,794,393	B2		9/2010	Larsen		
D630,734	S	*	1/2011	Speiser	D24/133
D638,938	S	*	5/2011	Doll	D24/133
8,062,212	B2		11/2011	Belson		
8,062,306	B2		11/2011	Nobis et al.		
8,251,973	B2	*	8/2012	Schnell	604/500
2003/0236549	A1		12/2003	Bonadio et al.		
2004/0138529	A1		7/2004	Wiltshire et al.		

* cited by examiner

Primary Examiner — David Muller

(74) *Attorney, Agent, or Firm* — Goldstein Law Offices, P.C.

(57) **CLAIM**

The ornamental design for a suction and irrigation tip for laparoscopic surgery, as shown and described.

DESCRIPTION

FIG. 1 is a perspective view of the suction and irrigation tip for laparoscopic surgery.

FIG. 2 is an alternate perspective view of the suction and irrigation tip for laparoscopic surgery in greater detail.

FIG. 3 is a rear elevational view of suction and irrigation tip for laparoscopic surgery.

FIG. 4 is a front elevational view thereof.

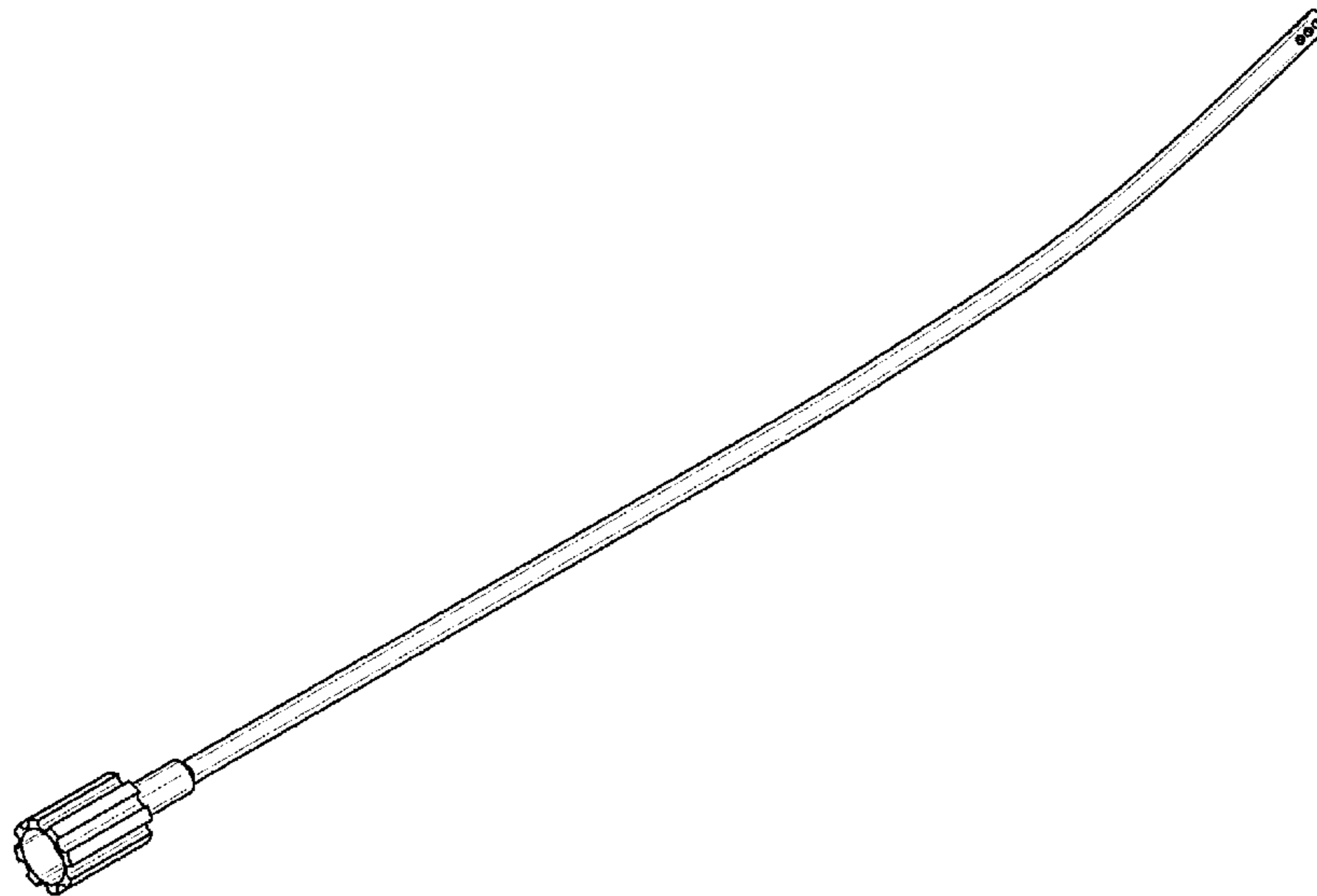
FIG. 5 is a top plan view thereof.

FIG. 6 is a bottom plan view thereof.

FIG. 7 is a right side elevational view thereof; and,

FIG. 8 is a left side elevational view thereof.

1 Claim, 5 Drawing Sheets



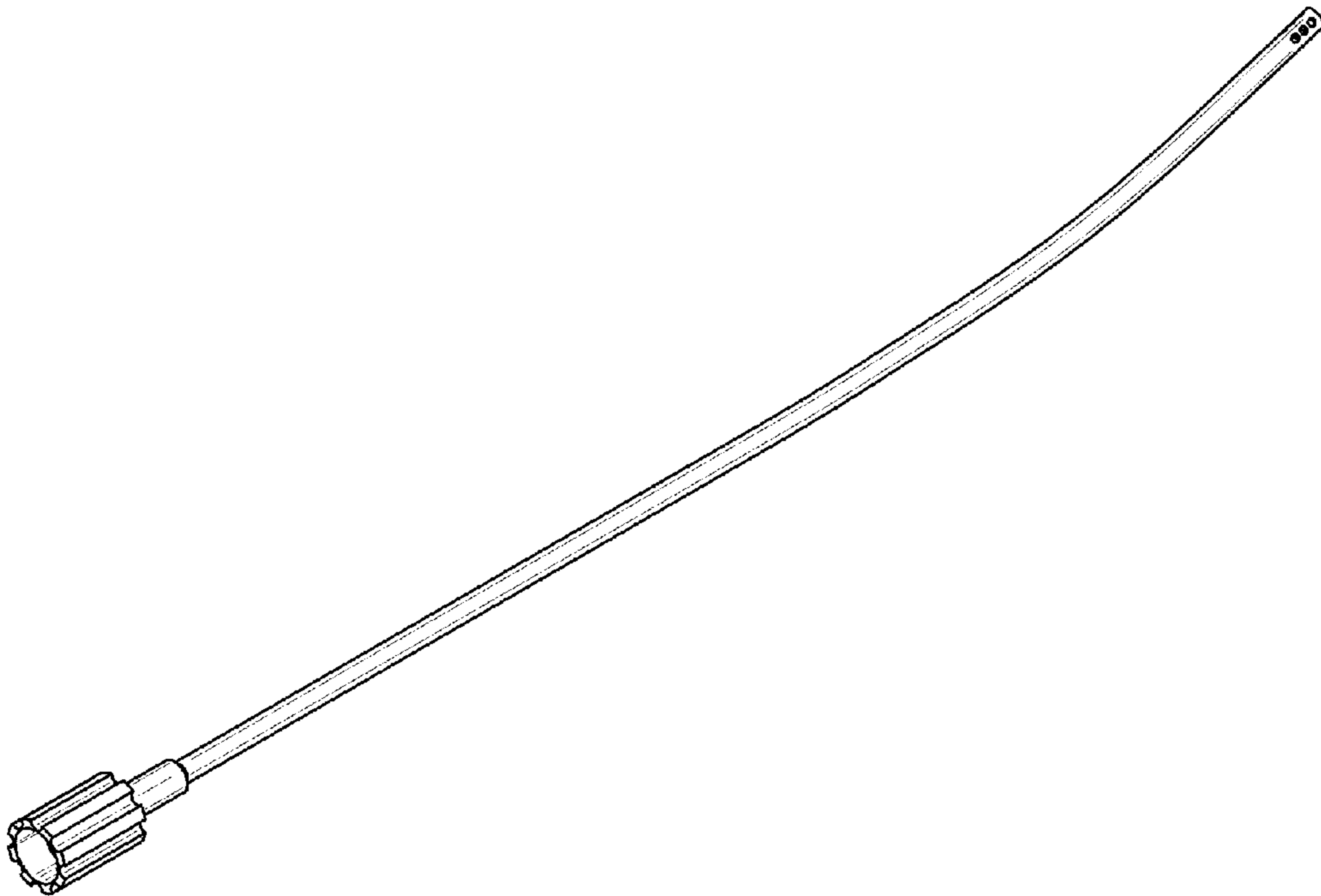


FIG. 1

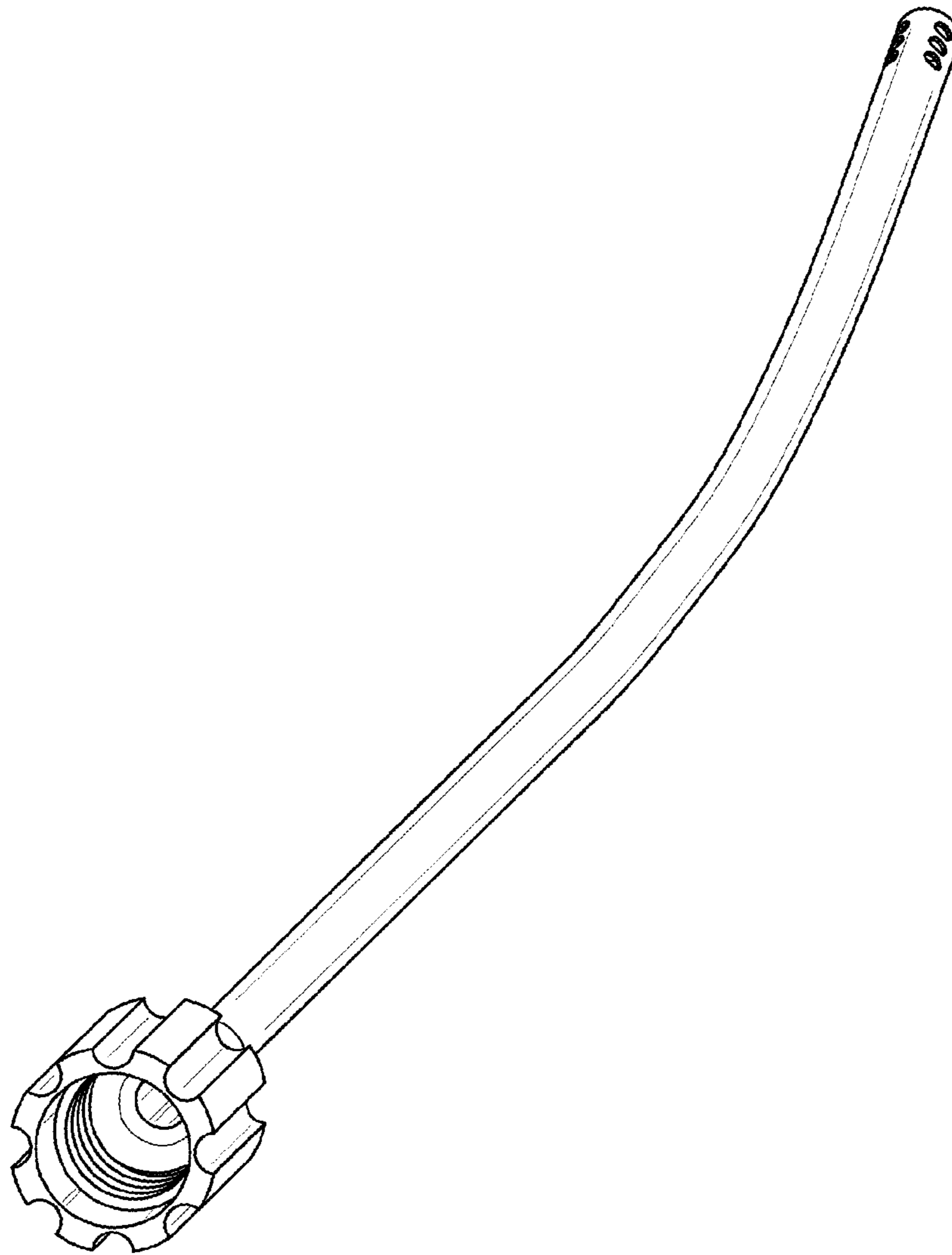


FIG. 2

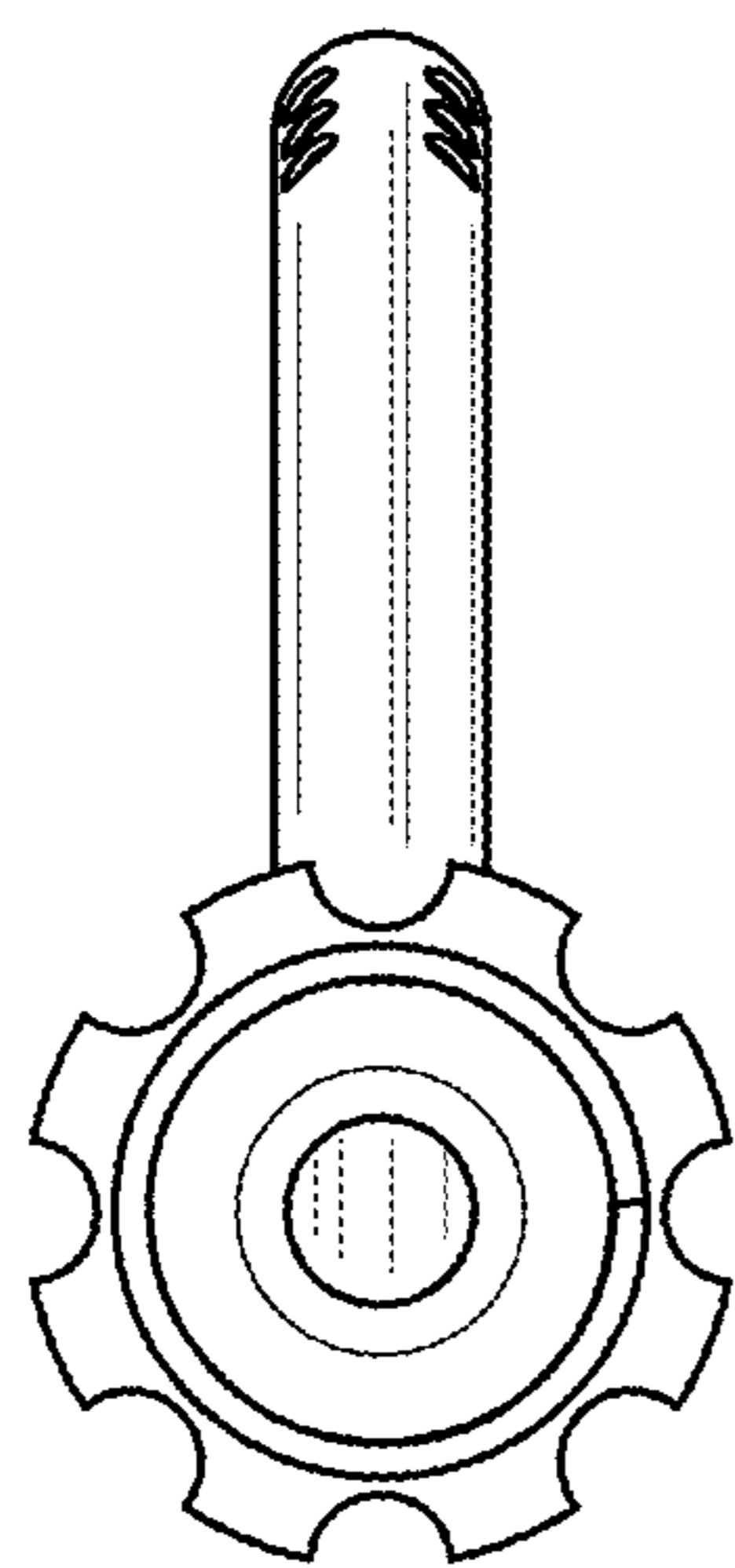


FIG. 3

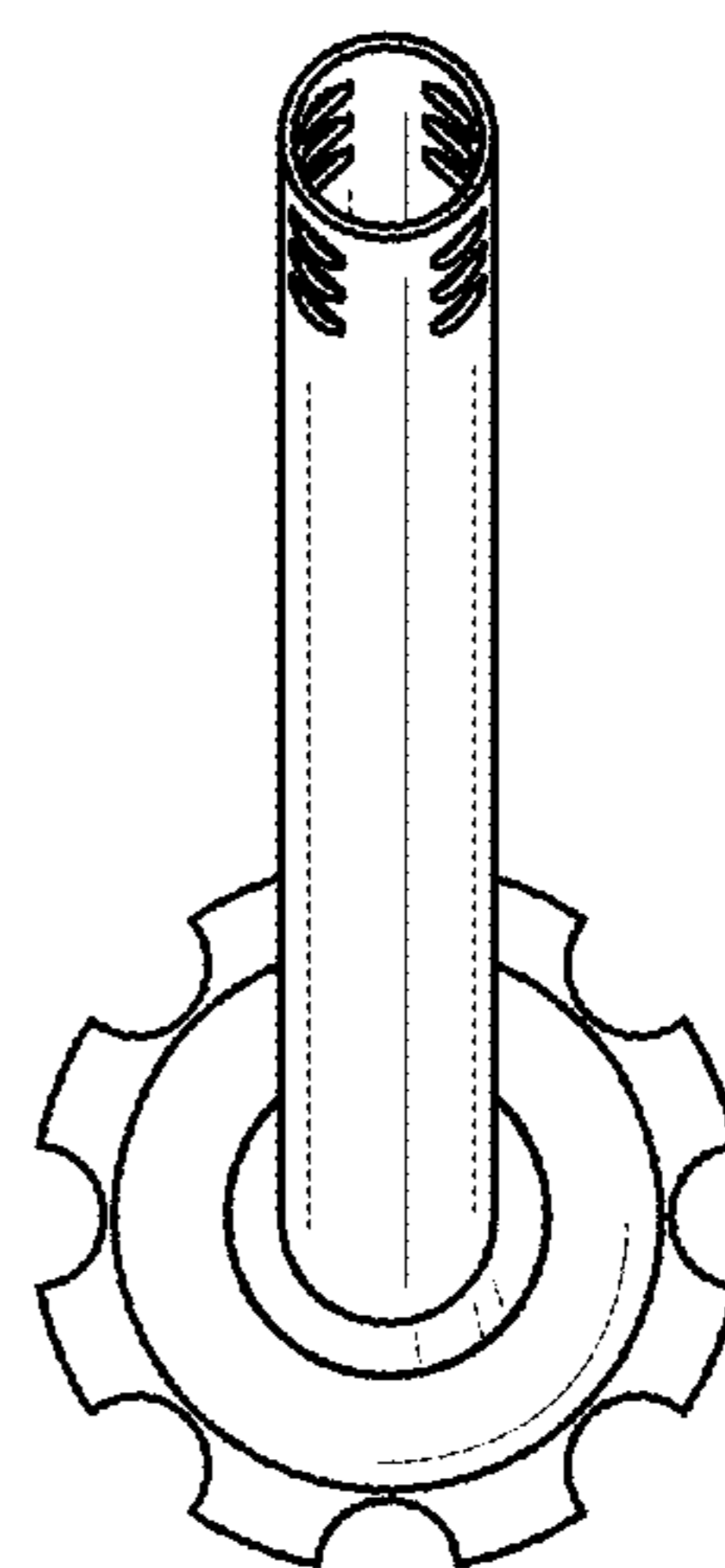


FIG. 4

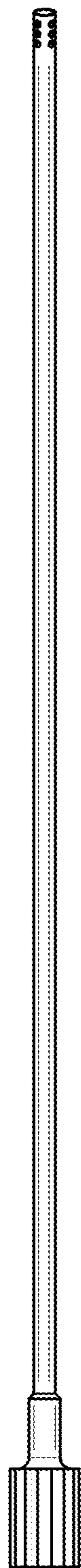


FIG. 5

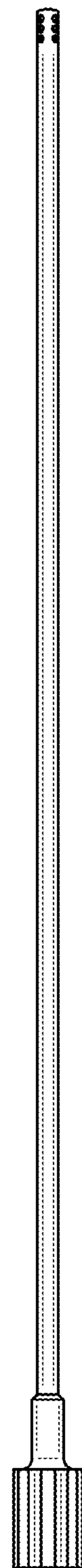


FIG. 6

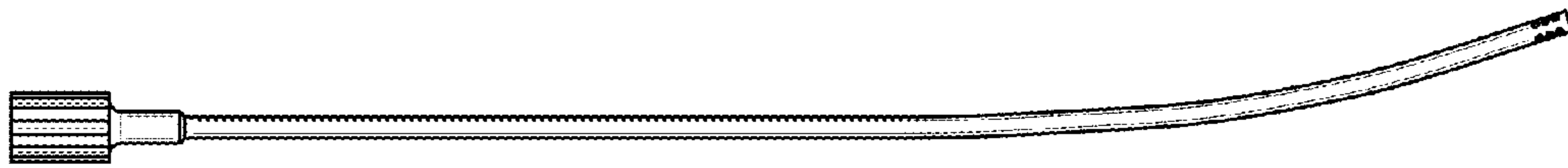


FIG. 7

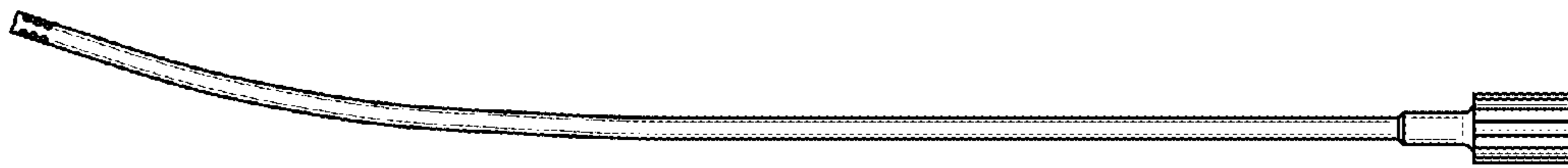


FIG. 8