



US00D687541S

(12) **United States Design Patent**
Estes et al.

(10) **Patent No.:** **US D687,541 S**
(45) **Date of Patent:** **** Aug. 6, 2013**

(54) **INFUSION PUMP UNIT**

(75) Inventors: **Mark C. Estes**, Malibu, CA (US);
Geoffrey C. Sims, Campbell, CA (US);
Jeremy J. Odegard, River Falls, WI
(US); **Michael W. Horvath**, Cottage
Grove, MN (US)

(73) Assignee: **Asante Solutions, Inc.**, Sunnyvale, CA
(US)

(**) Term: **14 Years**

(21) Appl. No.: **29/432,231**

(22) Filed: **Sep. 14, 2012**

Related U.S. Application Data

(63) Continuation of application No. 29/362,567, filed on
May 27, 2010, now Pat. No. Des. 669,166.

(51) **LOC (9) Cl.** **24-02**

(52) **U.S. Cl.**
USPC **D24/111**

(58) **Field of Classification Search**
USPC .. D24/108, 111, 169; D15/7, 9; 128/DIG. 12;
604/65-67, 131, 135, 143, 151-153, 503-504,
604/890.1

See application file for complete search history.

(56) **References Cited**

U.S. PATENT DOCUMENTS

4,749,109	A *	6/1988	Kamen	128/DIG. 12
6,056,728	A *	5/2000	von Schuckmann	604/135
6,248,093	B1 *	6/2001	Moberg	604/131
D461,241	S *	8/2002	Moberg et al.	D24/111
D461,891	S *	8/2002	Moberg	D24/111
7,717,903	B2 *	5/2010	Estes et al.	604/890.1
7,887,512	B2 *	2/2011	Estes et al.	604/151

2002/0177810	A1 *	11/2002	Reilly et al.	604/151
2005/0251097	A1	11/2005	Mernoe		
2005/0273059	A1	12/2005	Mernoe et al.		
2007/0073228	A1	3/2007	Mernoe et al.		
2007/0073235	A1	3/2007	Estes et al.		
2007/0073236	A1	3/2007	Mernoe et al.		
2007/0167912	A1	7/2007	Causey et al.		
2007/0179444	A1	8/2007	Causey et al.		
2008/0294094	A1	11/2008	Mhatre et al.		
2008/0294108	A1	11/2008	Briones et al.		
2008/0294109	A1	11/2008	Estes et al.		
2008/0294142	A1	11/2008	Patel et al.		
2009/0067989	A1	3/2009	Estes et al.		
2009/0069745	A1	3/2009	Estes et al.		
2009/0069746	A1	3/2009	Miller et al.		

(Continued)

Primary Examiner — Wan Laymon

(74) *Attorney, Agent, or Firm* — Fish & Richardson P.C.

(57) **CLAIM**

The ornamental design for an infusion pump unit, substantially as shown and described.

DESCRIPTION

FIG. 1 is a perspective view of an infusion pump unit in accordance with our design.

FIG. 2 is a bottom view of the infusion pump unit of FIG. 1.

FIG. 3 is a top view of the infusion pump unit of FIG. 1.

FIG. 4 is a right side view of the infusion pump unit of FIG. 1.

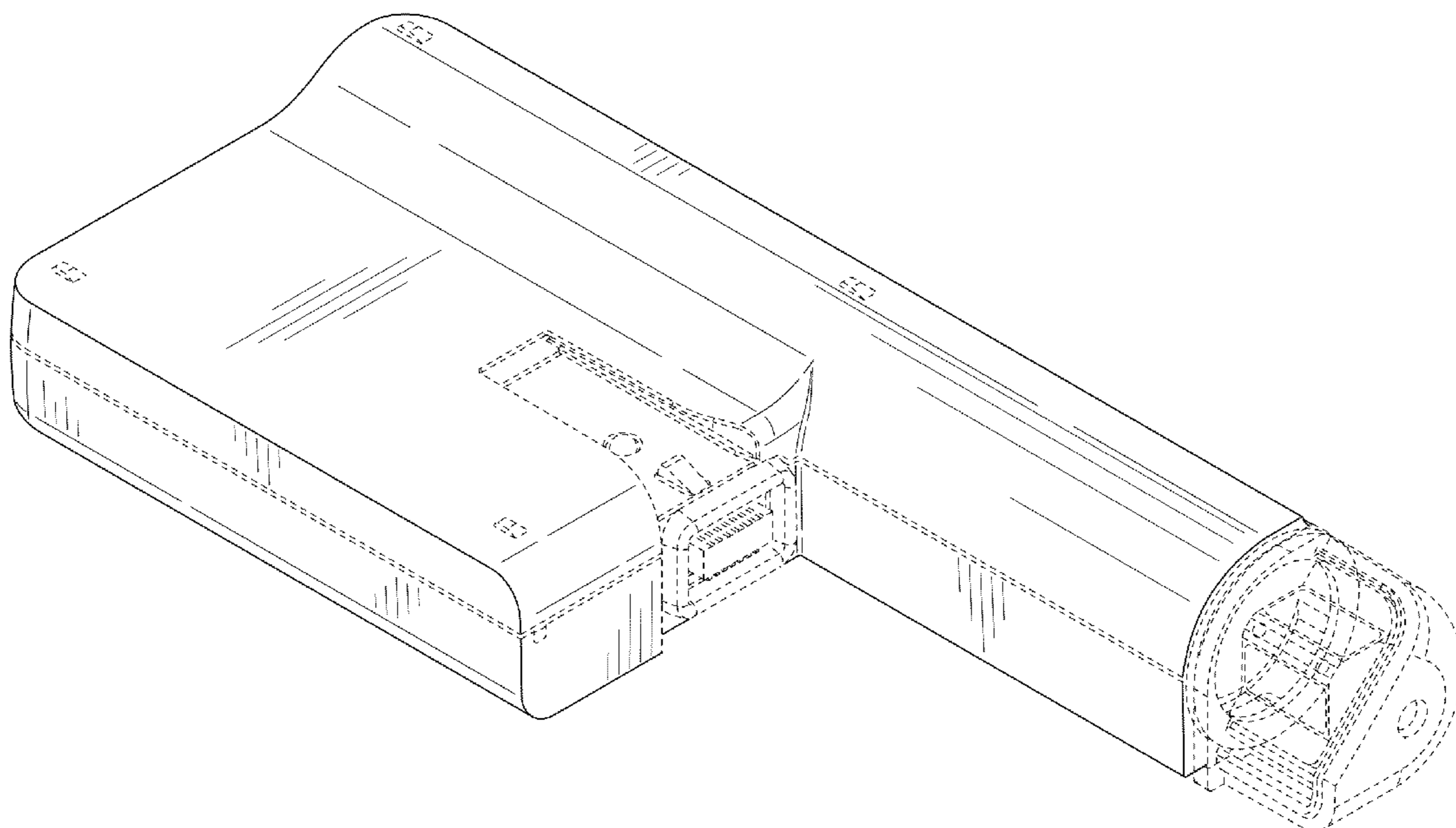
FIG. 5 is a left side view of the infusion pump unit of FIG. 1.

FIG. 6 is a front view of the infusion pump unit of FIG. 1; and,

FIG. 7 is a rear view of the infusion pump unit of FIG. 1.

The broken lines immediately adjacent the shaded areas represent the bounds of the claimed design while all other broken lines are directed to environment and are for illustrative purposes only. The broken lines form no part of the claimed design.

1 Claim, 5 Drawing Sheets



US D687,541 S

Page 2

U.S. PATENT DOCUMENTS

2009/0069749	A1	3/2009	Miller et al.	2009/0156990	A1	6/2009	Wenger et al.	
2009/0069784	A1	3/2009	Estes et al.	2012/0238999	A1*	9/2012	Estes et al.	604/504
2009/0069785	A1	3/2009	Miller et al.	2012/0330270	A1*	12/2012	Colton	604/152
2009/0069787	A1	3/2009	Estes et al.					

* cited by examiner

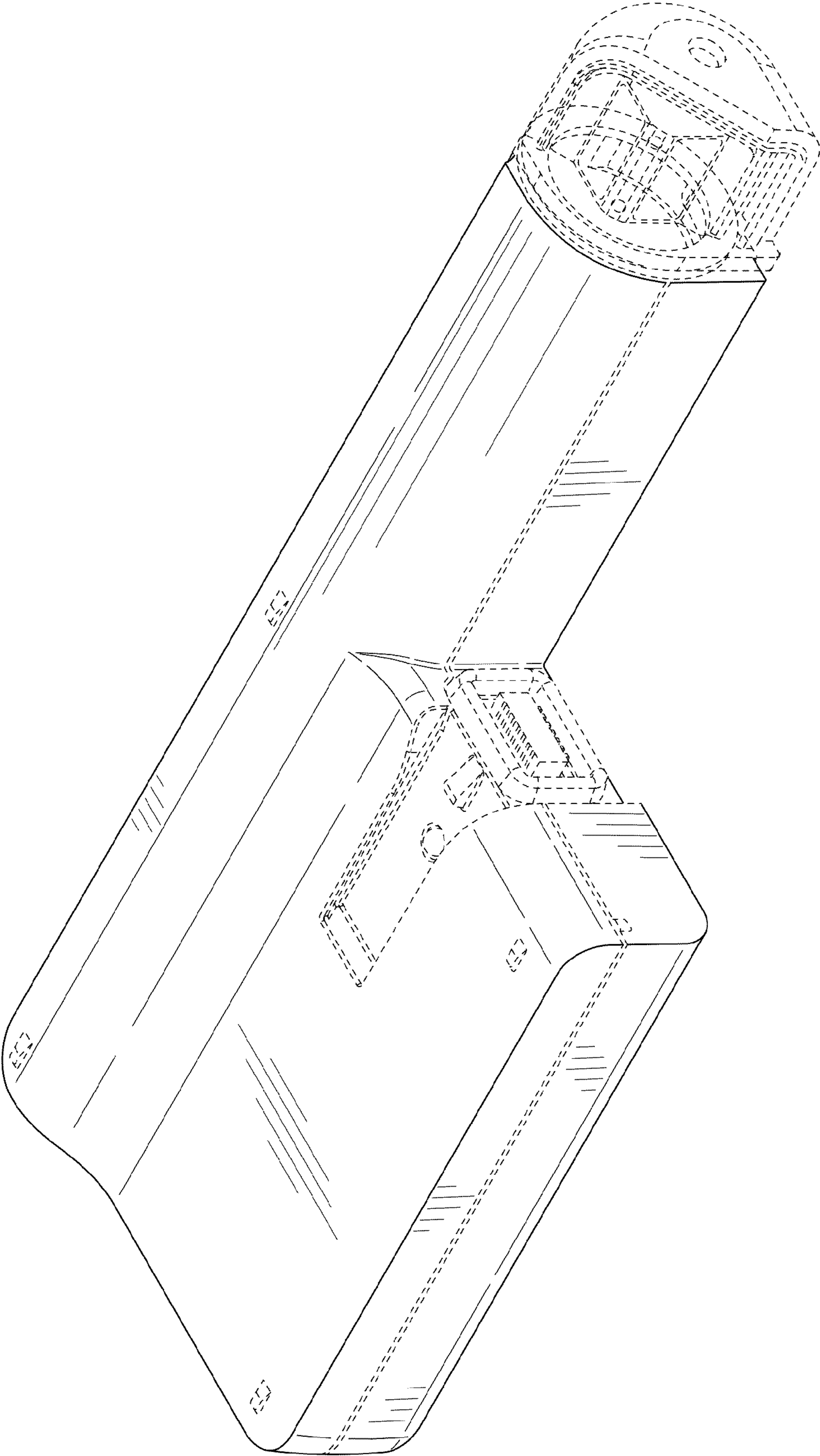


FIG. 1

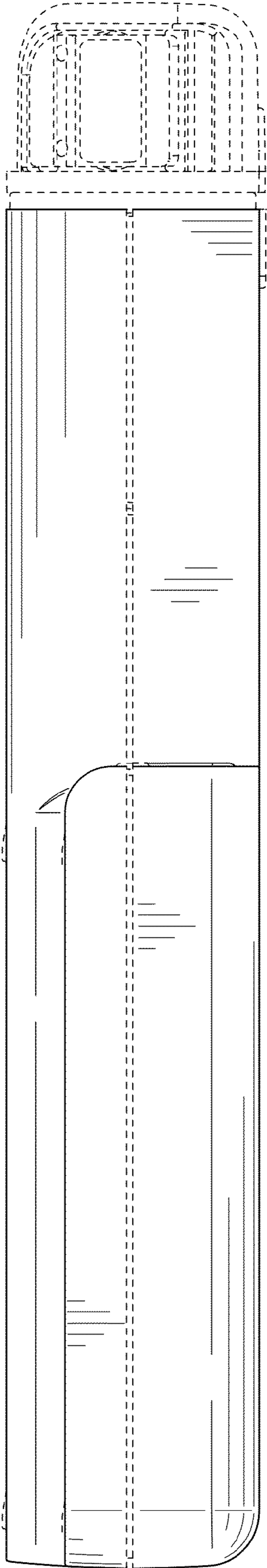


FIG. 2

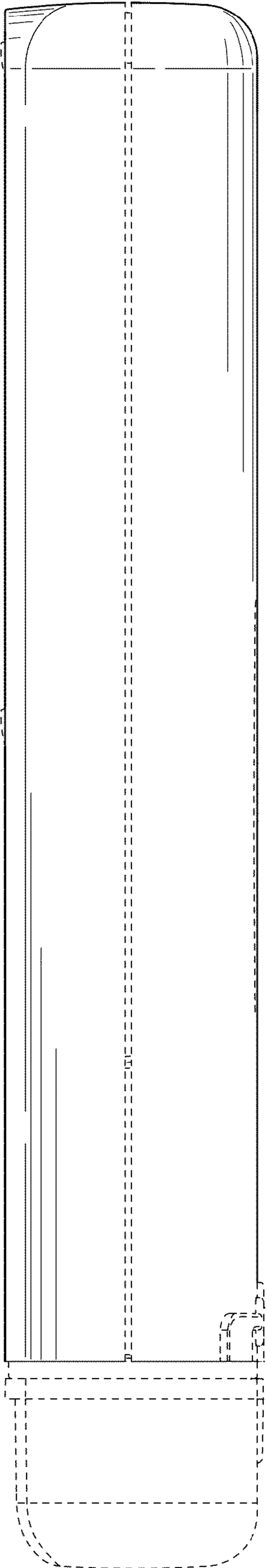


FIG. 3

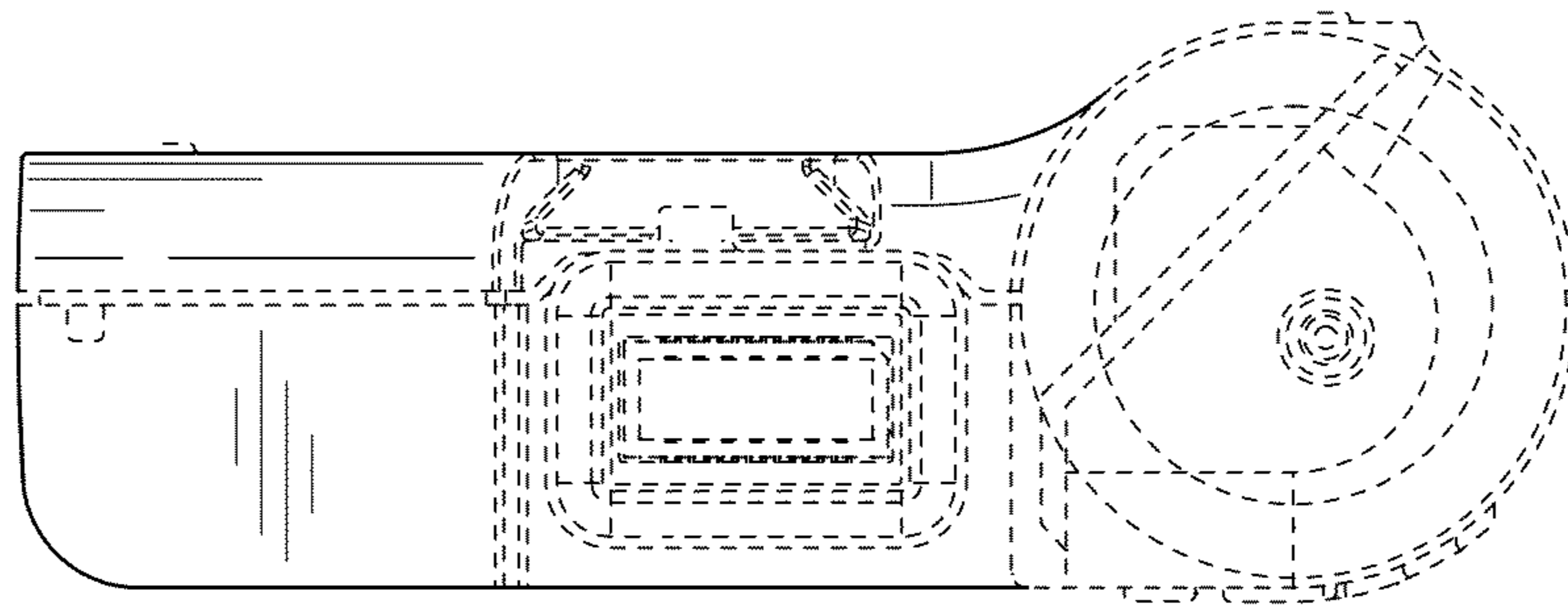


FIG. 4

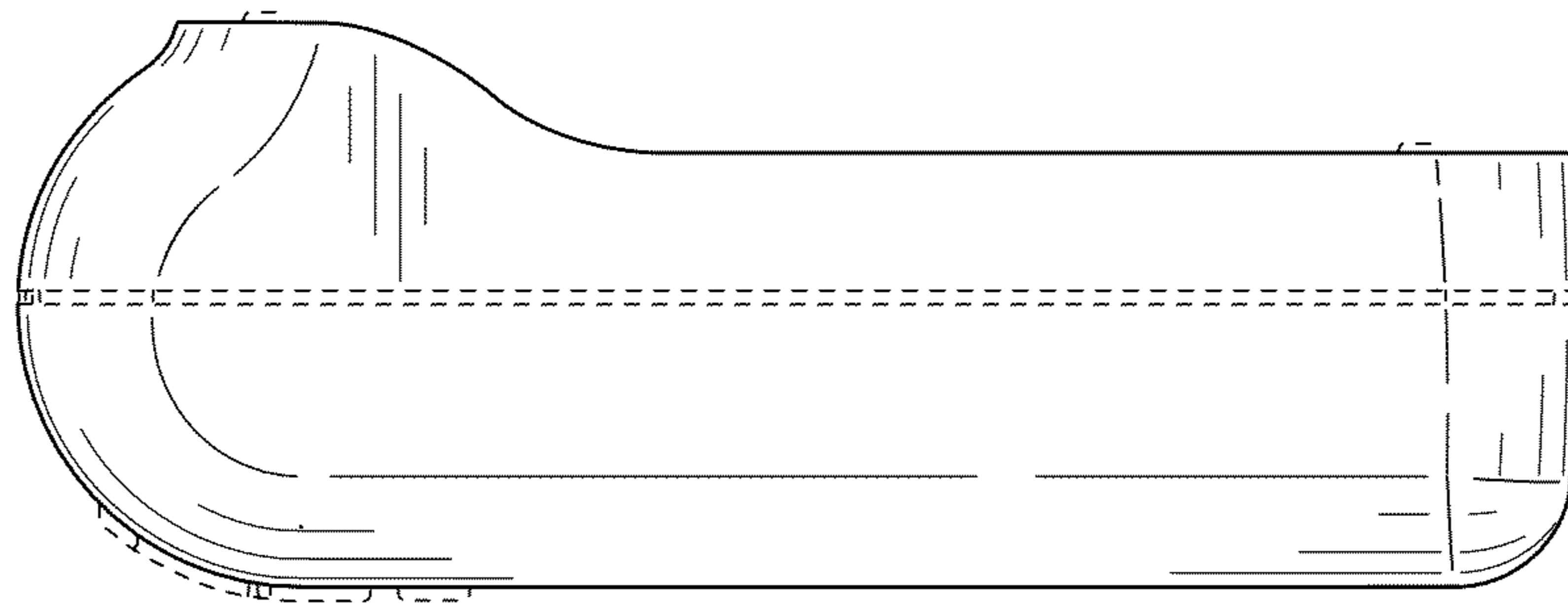


FIG. 5

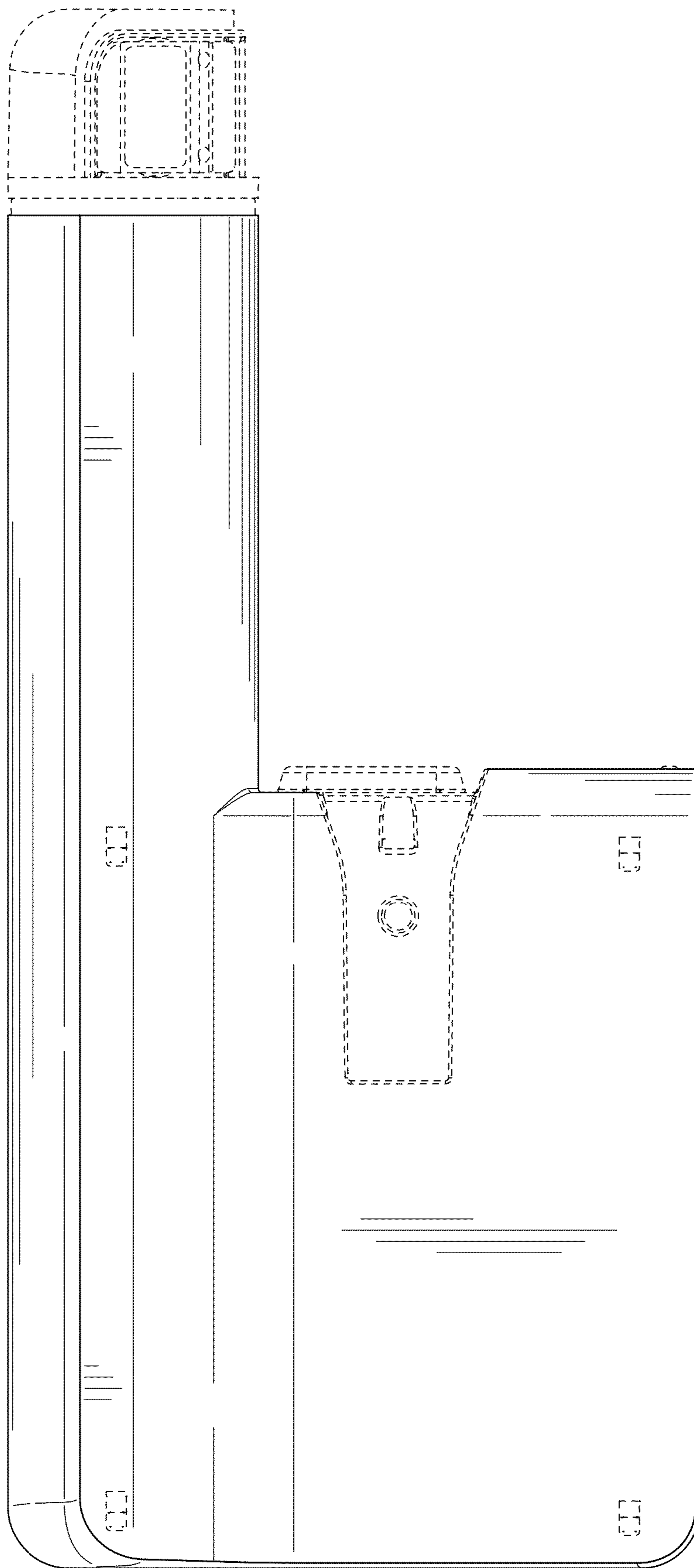


FIG. 6

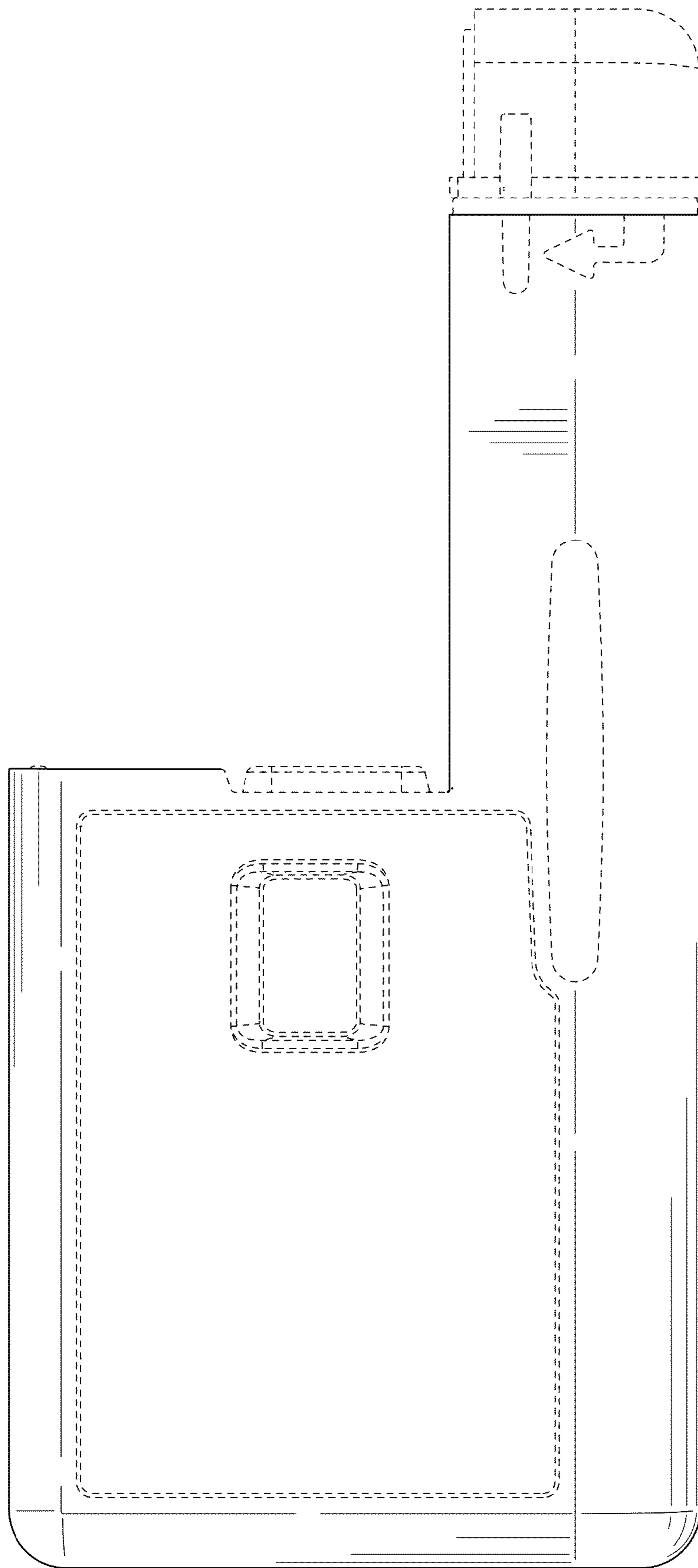


FIG. 7