



US00D687537S

(12) **United States Design Patent**
Au et al.

(10) **Patent No.:** **US D687,537 S**
(45) **Date of Patent:** **** Aug. 6, 2013**

(54) **REDUCED PRESSURE THERAPY DEVICE**

(56) **References Cited**

(71) Applicant: **Spiracur Inc.**, Sunnyvale, CA (US)

U.S. PATENT DOCUMENTS

(72) Inventors: **Nelson S. Au**, Foster City, CA (US);
Jeffrey W. Etter, Hayward, CA (US);
Craig A. Carson, Fremont, CA (US);
Dean Hu, San Leandro, CA (US)

D507,509	S	*	7/2005	Hou	D11/218
D625,005	S	*	10/2010	Zimmer et al.	D24/140
D649,907	S	*	12/2011	Kataguchi	D11/218
D674,274	S	*	1/2013	Gasparino	D8/395
D674,679	S	*	1/2013	Hobson	D8/356
D675,014	S	*	1/2013	Adelman et al.	D3/218
D675,741	S	*	2/2013	Anderson et al.	D24/186
D676,416	S	*	2/2013	Stevinson	D14/205
D677,784	S	*	3/2013	Marguerie	D24/111

(73) Assignee: **Spiracur Inc.**, Sunnyvale, CA (US)

(**) Term: **14 Years**

* cited by examiner

(21) Appl. No.: **29/443,993**

Primary Examiner — Kelley Donnelly

(22) Filed: **Jan. 24, 2013**

(74) *Attorney, Agent, or Firm* — Morrison & Foerster LLP

(57) **CLAIM**

The ornamental design for a reduced pressure therapy device, as shown and described.

Related U.S. Application Data

(60) Division of application No. 29/381,378, filed on Dec. 17, 2010, which is a continuation-in-part of application No. 29/332,485, filed on Feb. 17, 2009, now Pat. No. Des. 629,502.

DESCRIPTION

(51) **LOC (9) Cl.** **24-01**

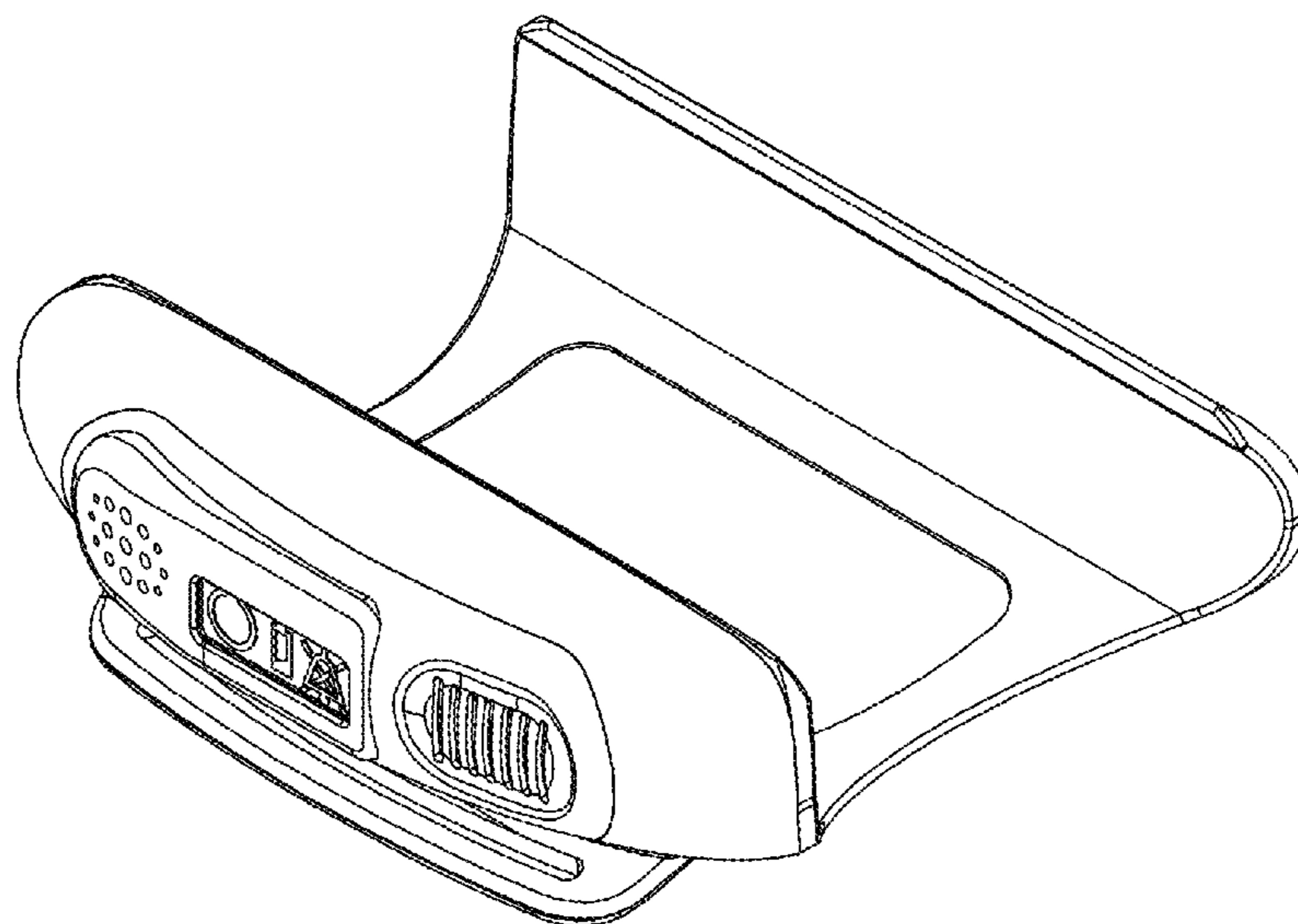
(52) **U.S. Cl.**
USPC **D24/108**

(58) **Field of Classification Search**
USPC D24/107–108, 111, 186, 169, 121;
604/151–155, 131, 304, 289, 290

FIG. 1 is a rear perspective view of a reduced pressure therapy device showing my new design;
FIG. 2 is a front perspective view thereof;
FIG. 3 is a front elevation thereof;
FIG. 4 is a rear elevation thereof;
FIG. 5 is a right side elevation thereof;
FIG. 6 is a left side elevation thereof;
FIG. 7 is a top plan view thereof; and,
FIG. 8 is a bottom plan view thereof.

See application file for complete search history.

1 Claim, 8 Drawing Sheets



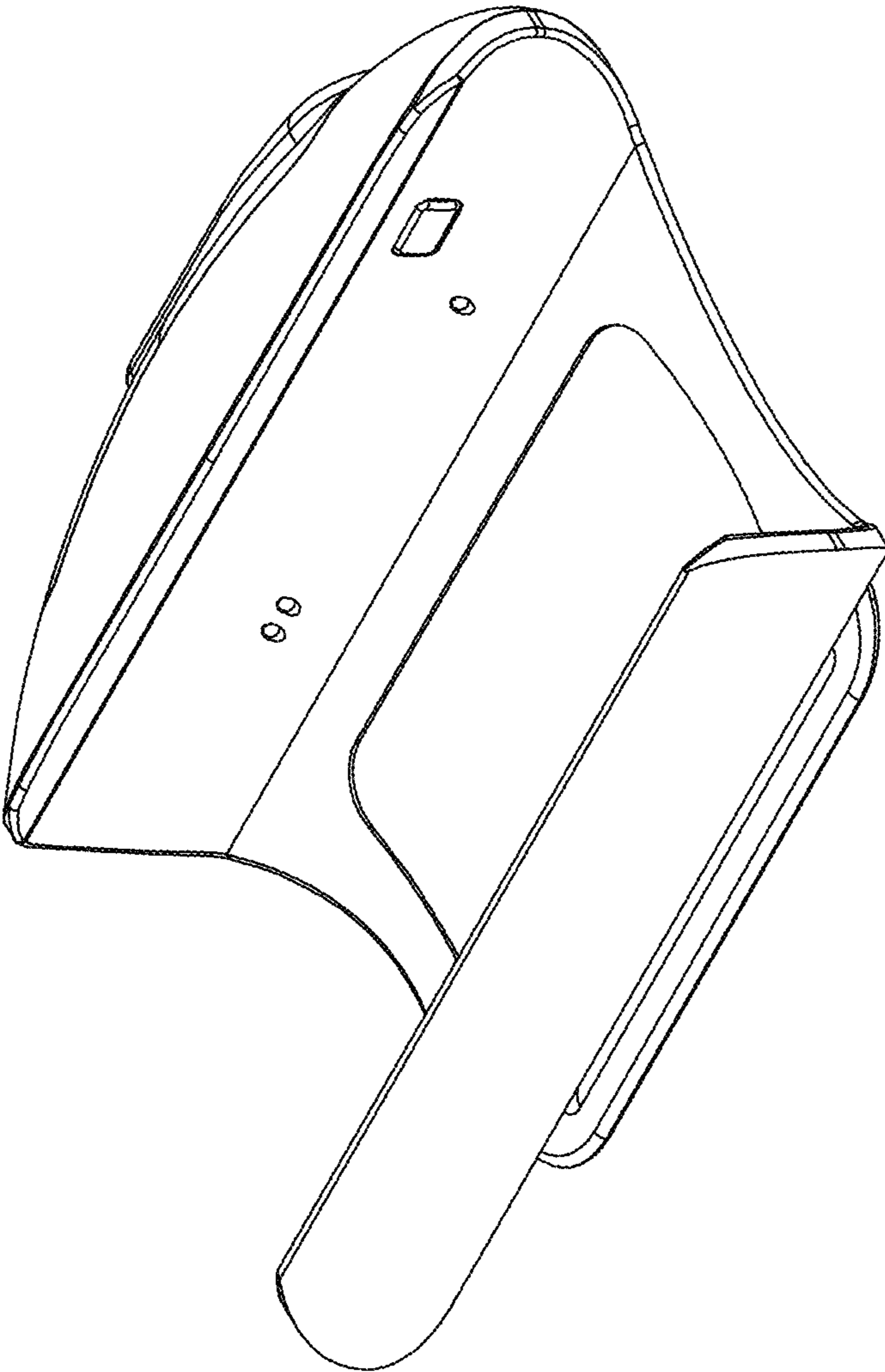


FIG. 1

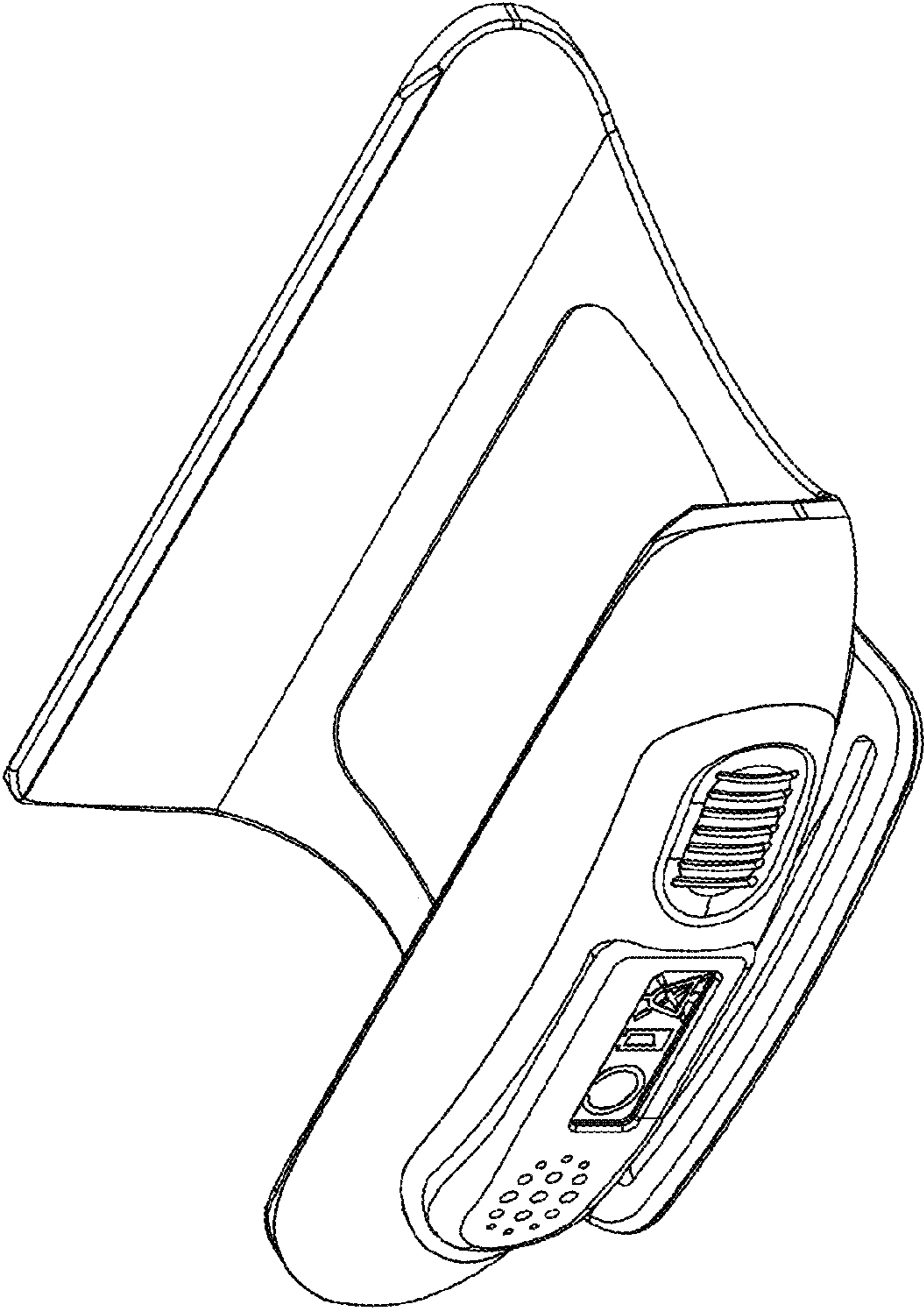


FIG. 2

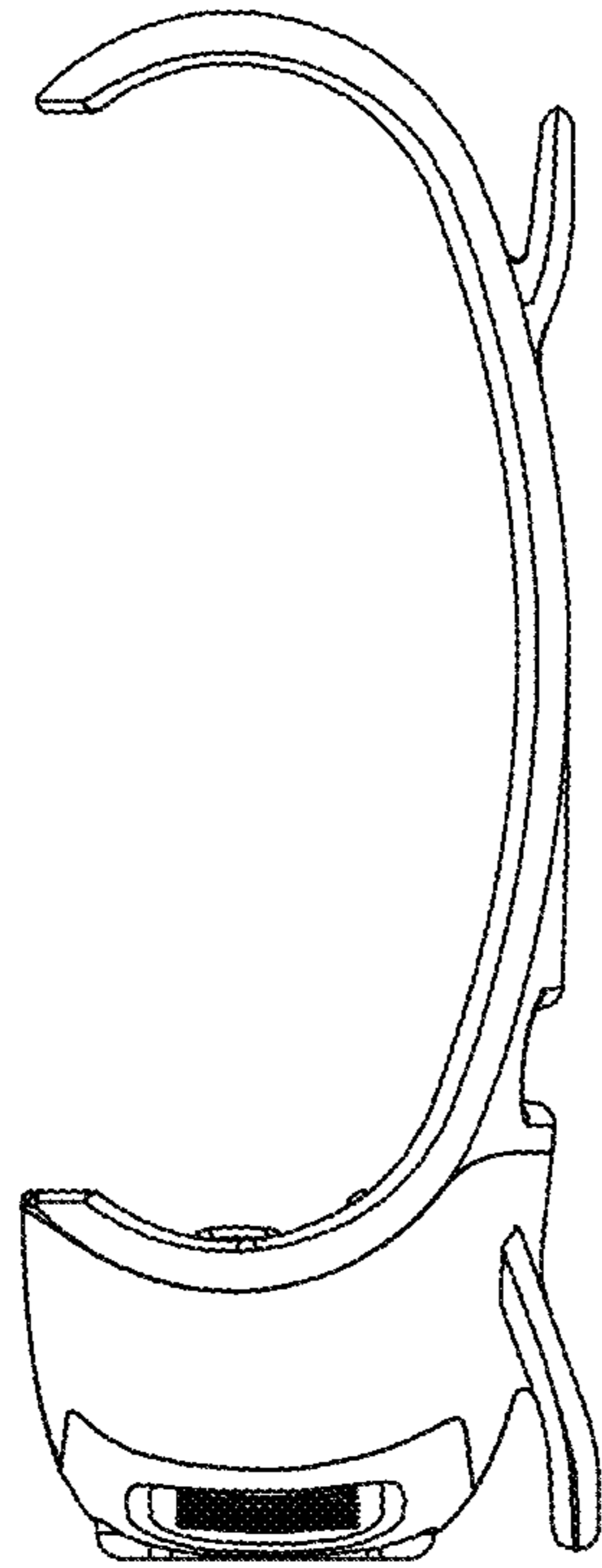


FIG. 3

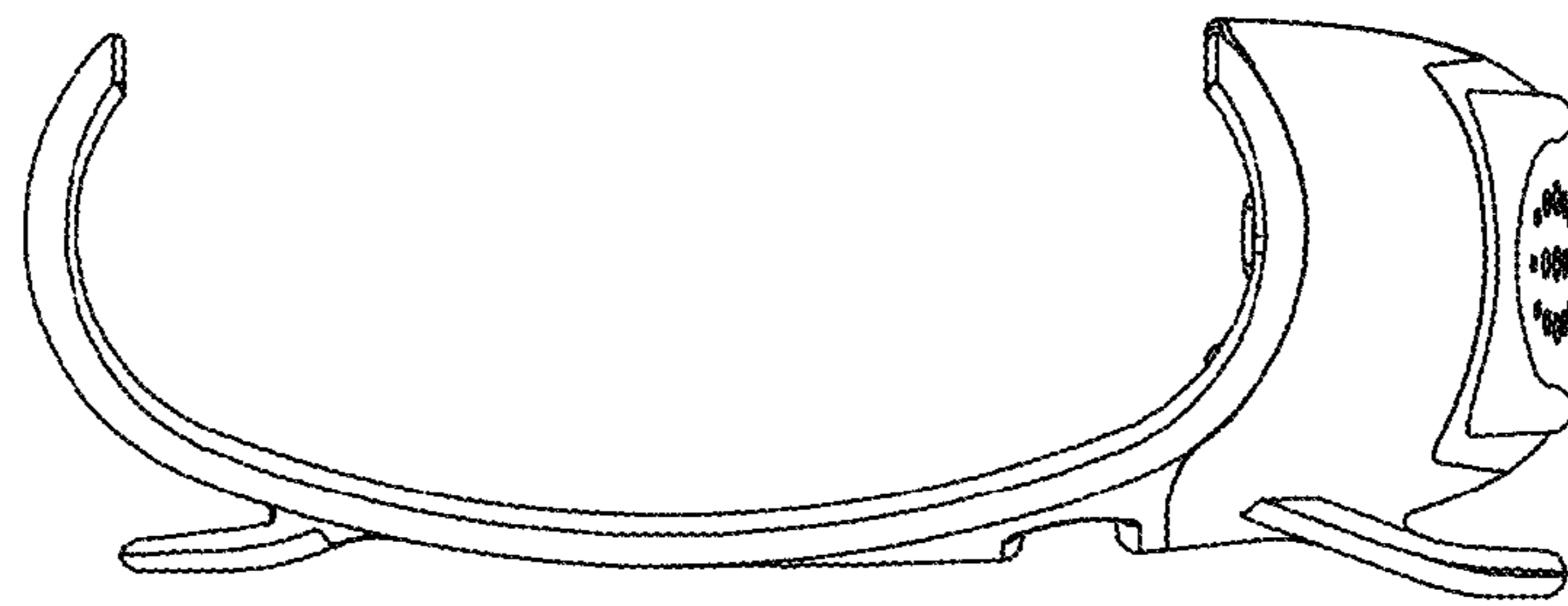


FIG. 4

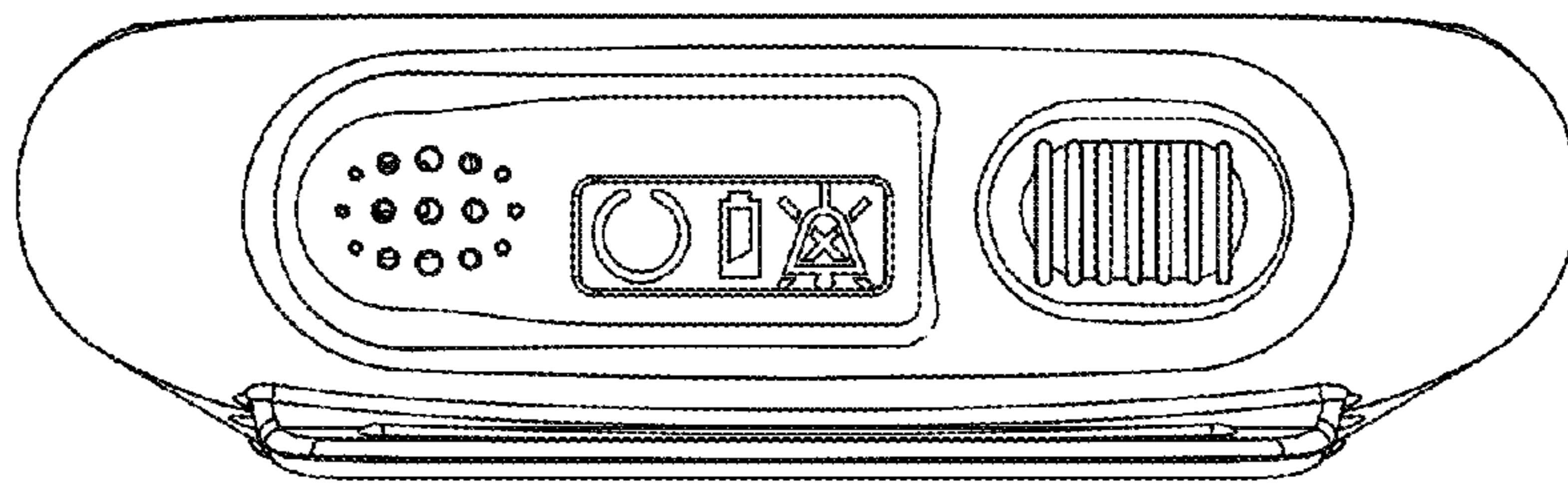


FIG. 5

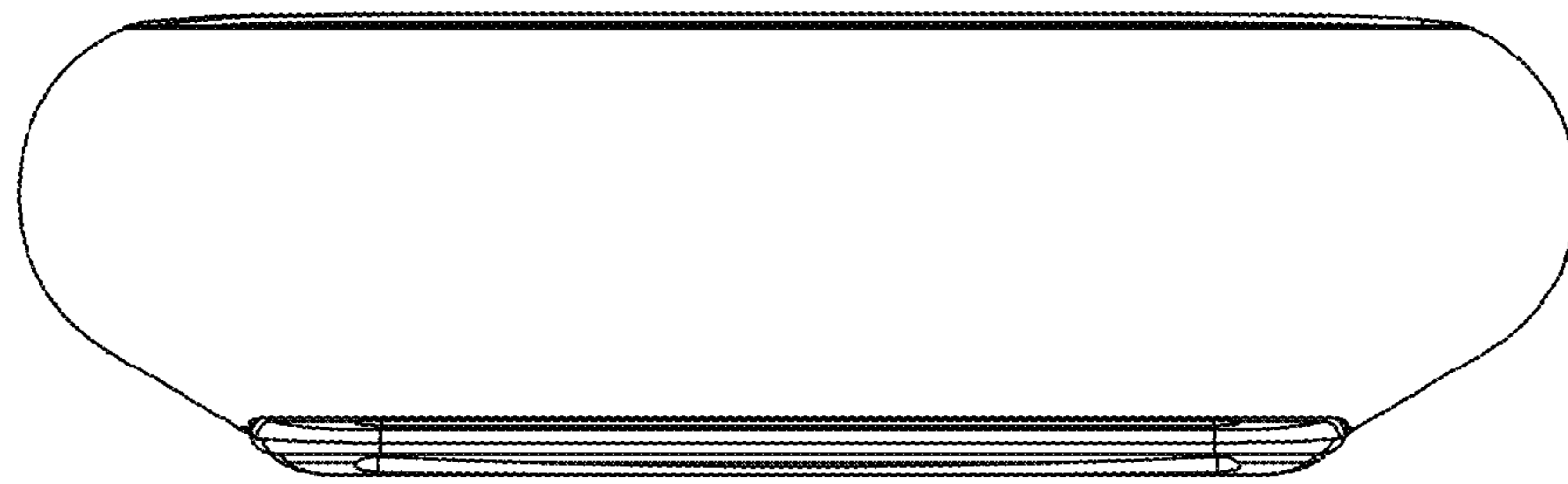


FIG. 6

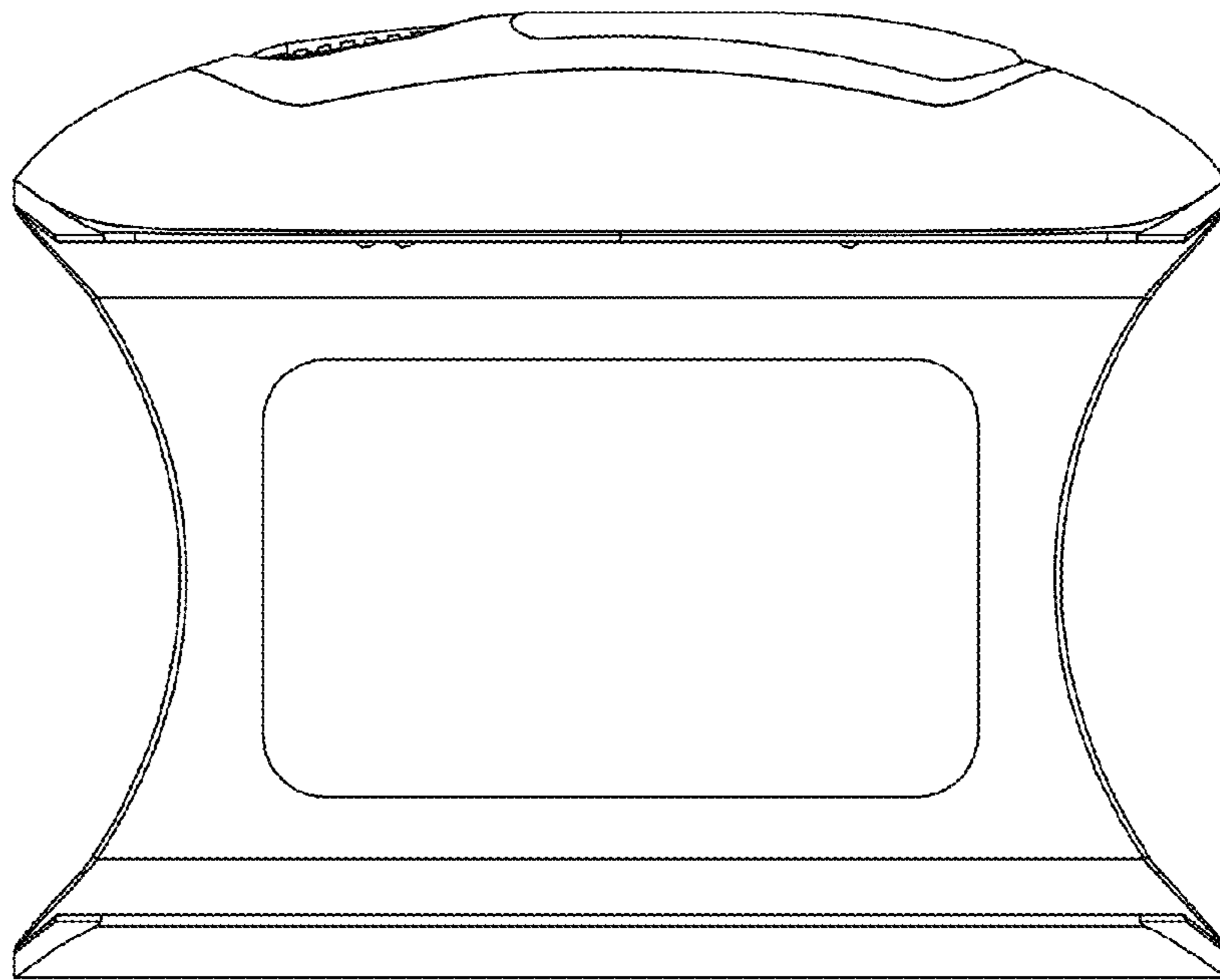


FIG. 7

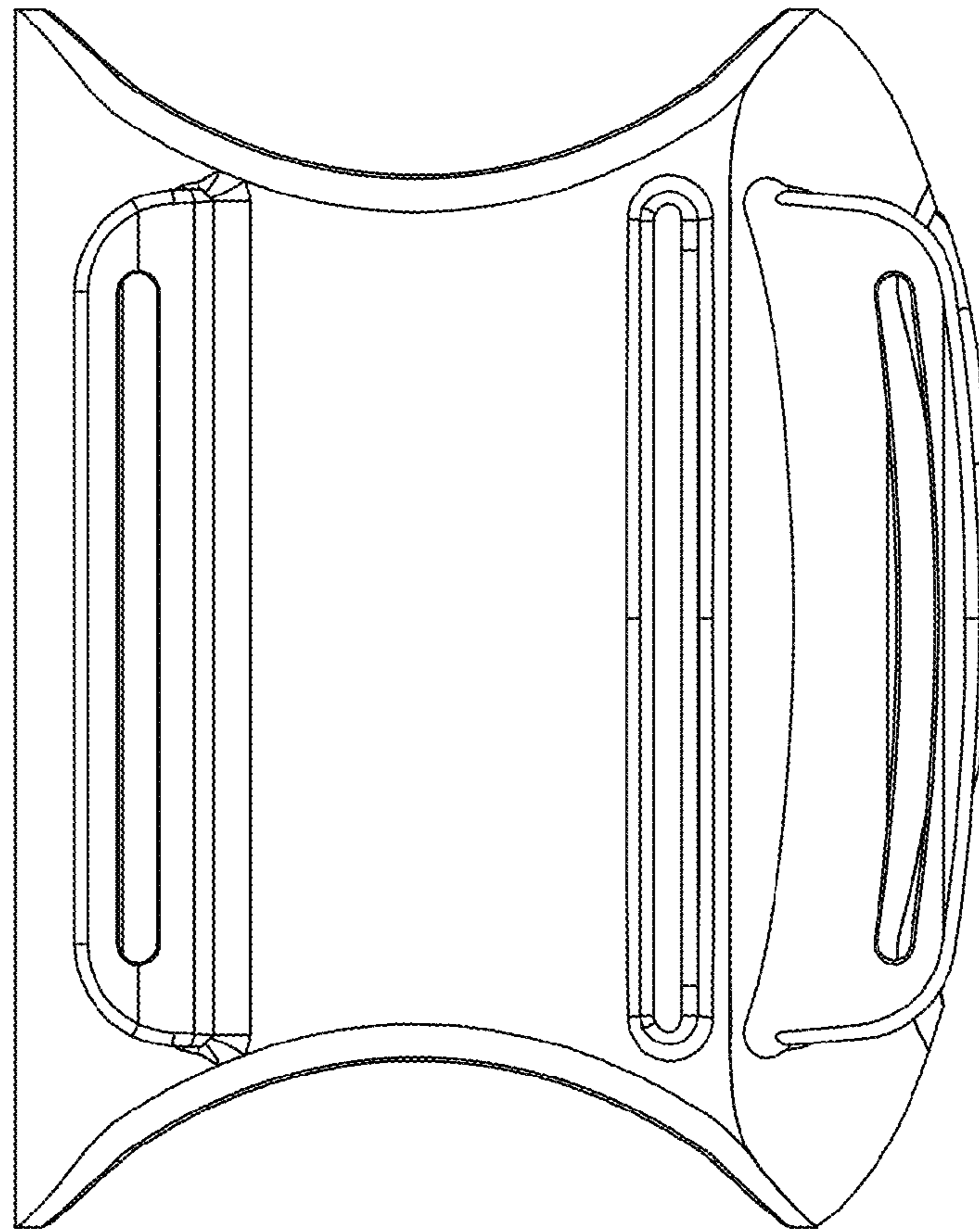


FIG. 8