



US00D687534S

(12) **United States Design Patent**
Morris et al.

(10) **Patent No.:** **US D687,534 S**

(45) **Date of Patent:** **** Aug. 6, 2013**

(54) **ECCENTRIC FAN HOUSING**

(75) Inventors: **Garron Koch Morris**, Whitefish Bay, WI (US); **Bruce William Weiss**, Milwaukee, WI (US); **Robert Michael Michalski**, West Bend, WI (US)

(73) Assignee: **Rockwell Automation Technologies, Inc.**, Mayfield Heights, OH (US)

(**) Term: **14 Years**

(21) Appl. No.: **29/417,222**

(22) Filed: **Mar. 30, 2012**

(51) **LOC (9) Cl.** **23-04**

(52) **U.S. Cl.**
USPC **D23/370**

(58) **Field of Classification Search**
USPC D23/317, 330, 332–342, 351–360, D23/363, 364, 370–379, 381–383, 385–388, D23/393, 394, 399, 411–414; 454/237–253, 454/186, 228–236, 192; 52/302.1; 417/423.1, 417/423.14; 415/182.1, 200, 90, 68, 214; 416/244 R, 246, 247 R; D6/309; D21/430, D21/436, 442, 447, 450, 453, 458; 5/421, 5/423

See application file for complete search history.

(56) **References Cited**

U.S. PATENT DOCUMENTS

6,183,196 B1 * 2/2001 Fujinaka 415/208.5
D507,637 S * 7/2005 Chiu et al. D23/370
D507,638 S * 7/2005 Chiu et al. D23/370

D507,639 S * 7/2005 Chiu et al. D23/370
D591,412 S * 4/2009 Rittri et al. D23/364
D591,413 S * 4/2009 Rittri et al. D23/364
D602,142 S * 10/2009 Nishizawa et al. D23/370
D619,697 S * 7/2010 Uchikawa D23/370
D637,276 S * 5/2011 Miyabara et al. D23/370
D637,706 S * 5/2011 Kawai et al. D23/370
D665,894 S * 8/2012 Inada et al. D23/370
2012/0027580 A1 * 2/2012 Lu et al. 415/214.1

* cited by examiner

Primary Examiner — George D Kirschbaum

Assistant Examiner — Janice Hallmark

(74) *Attorney, Agent, or Firm* — Fletcher Yoder, P.C.; Alexander R. Kuszewski; John M. Miller

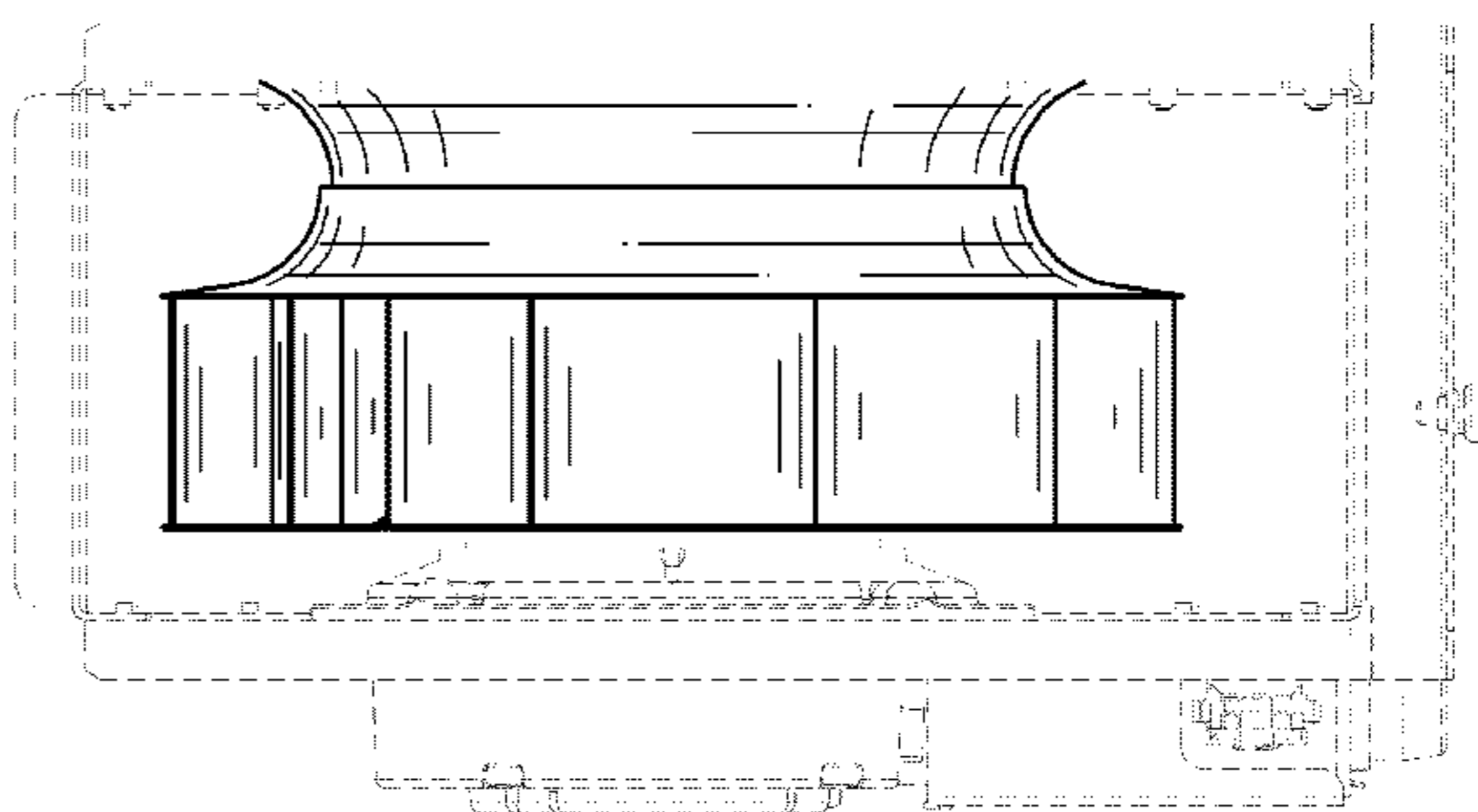
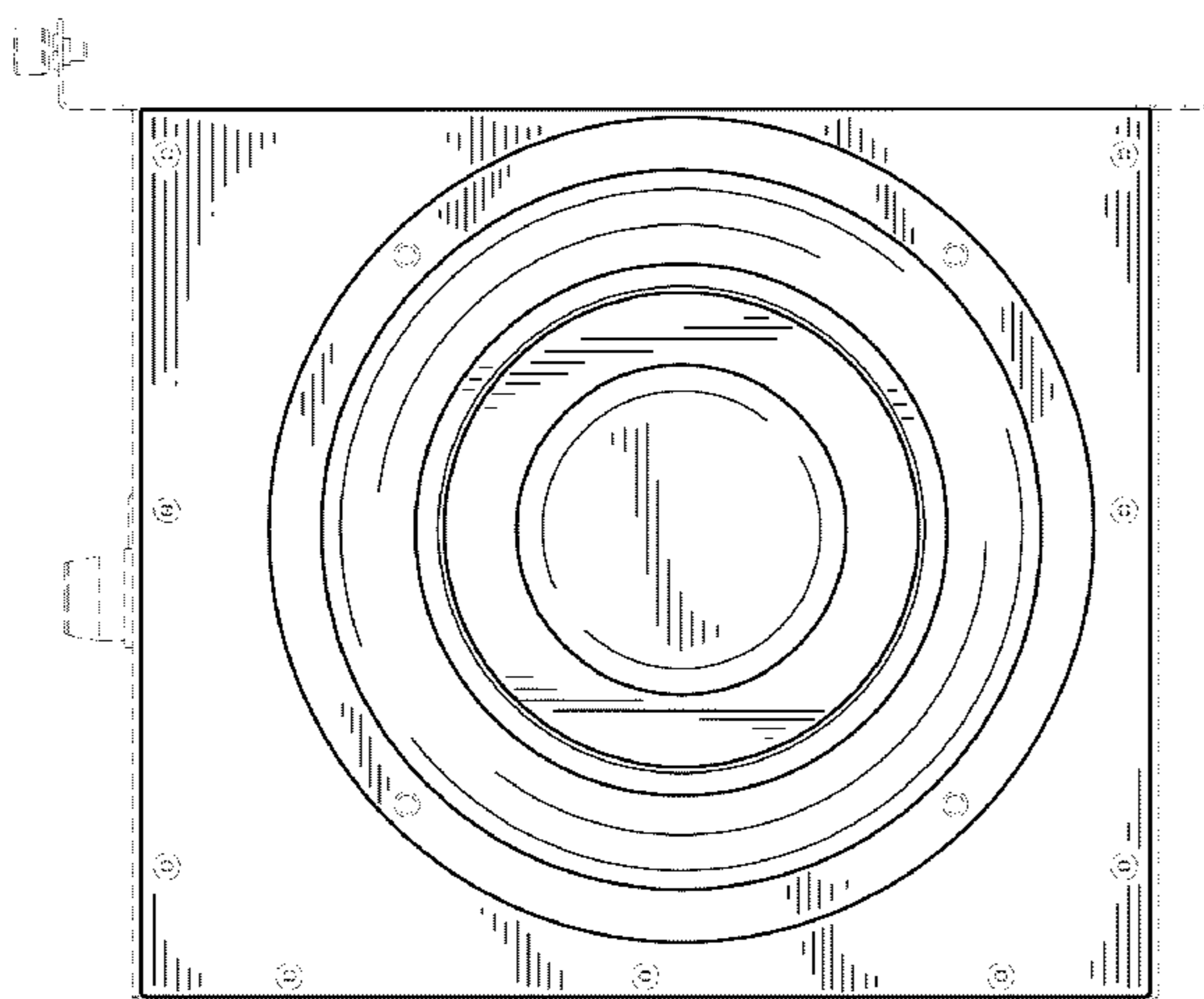
(57) **CLAIM**

The ornamental design for a eccentric fan housing, as shown and described.

DESCRIPTION

FIG. 1 is a front elevational view of the design for the eccentric fan housing;
FIG. 2 is a rear elevational view thereof;
FIG. 3 is a right side elevational view thereof;
FIG. 4 is a left side elevational view thereof;
FIG. 5 is a top plan view thereof;
FIG. 6 is a bottom plan view thereof; and,
FIG. 7 is a perspective view thereof.
The broken line showing of structure is included for the purpose of illustrating portions of the “article” and forms no part of the claimed design.

1 Claim, 6 Drawing Sheets



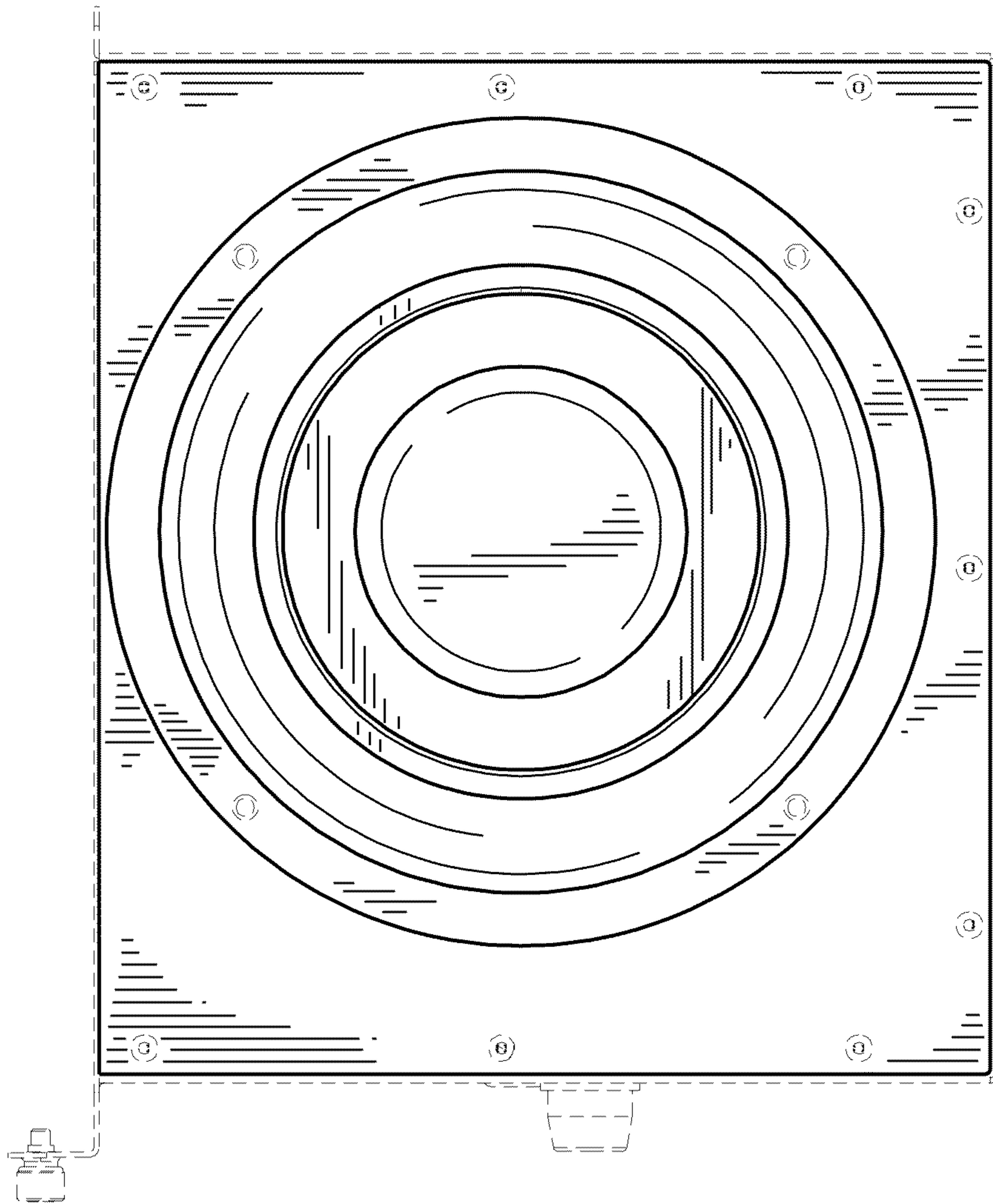


FIG. 1

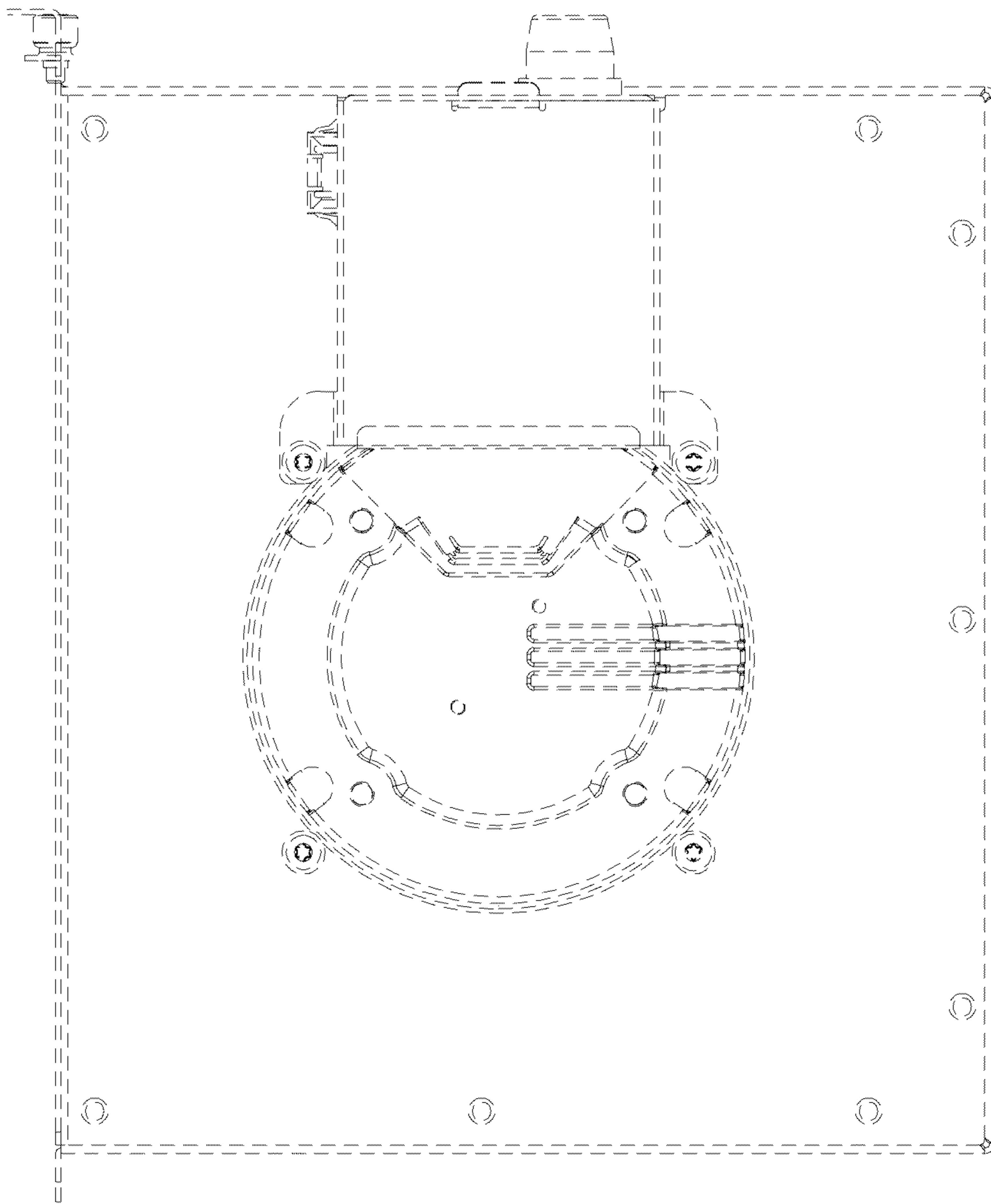


FIG. 2

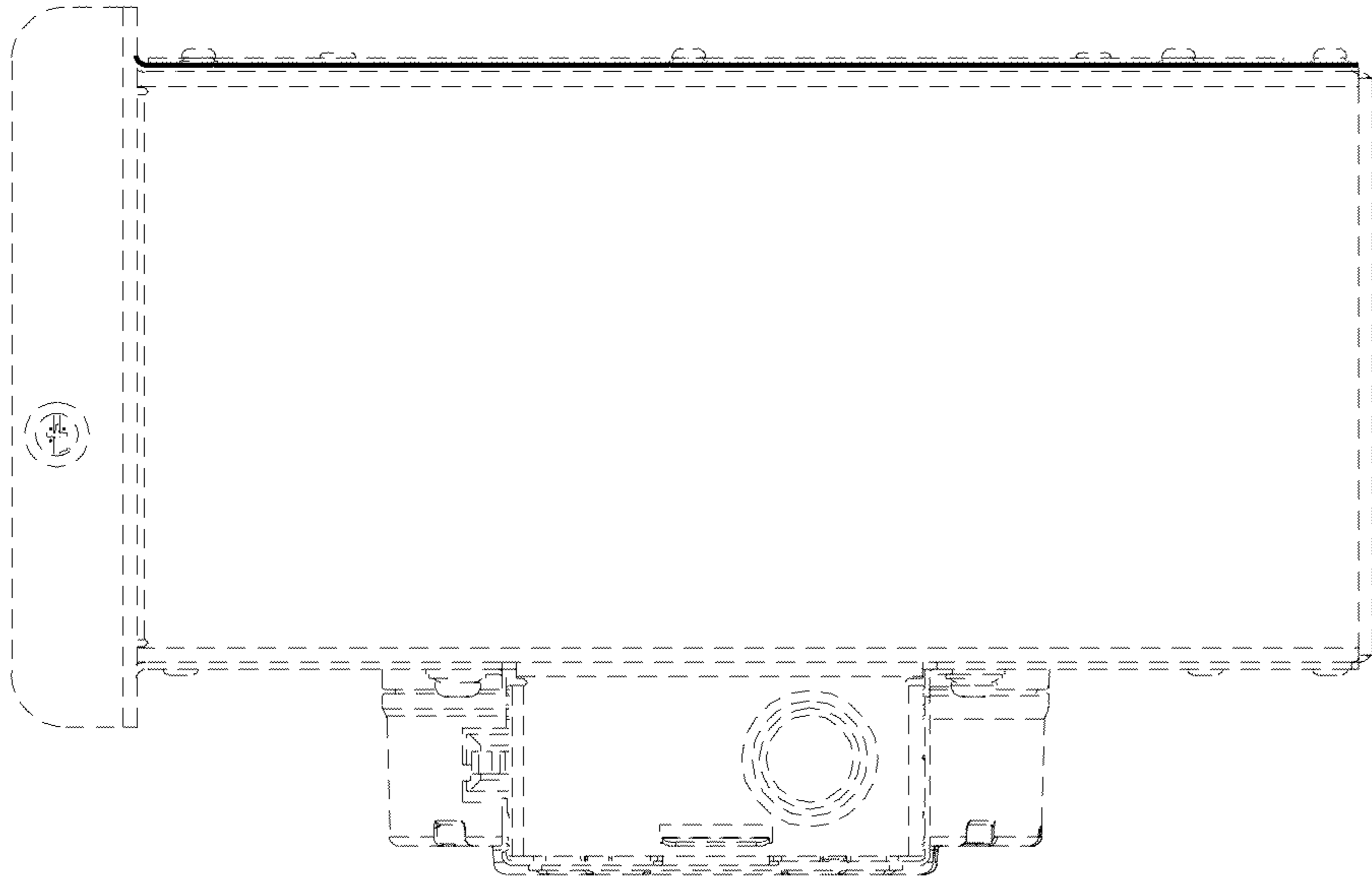


FIG. 4

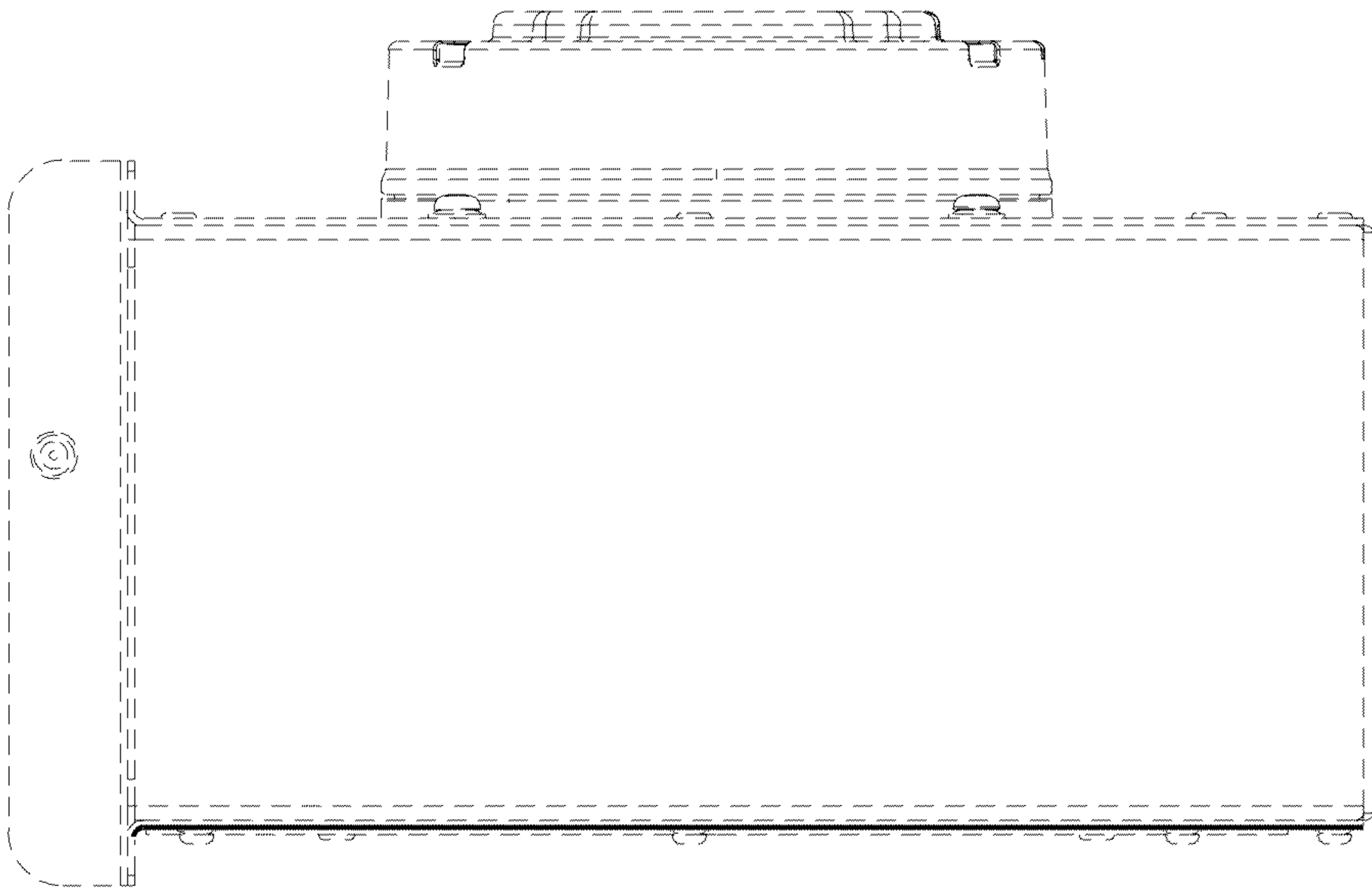


FIG. 3

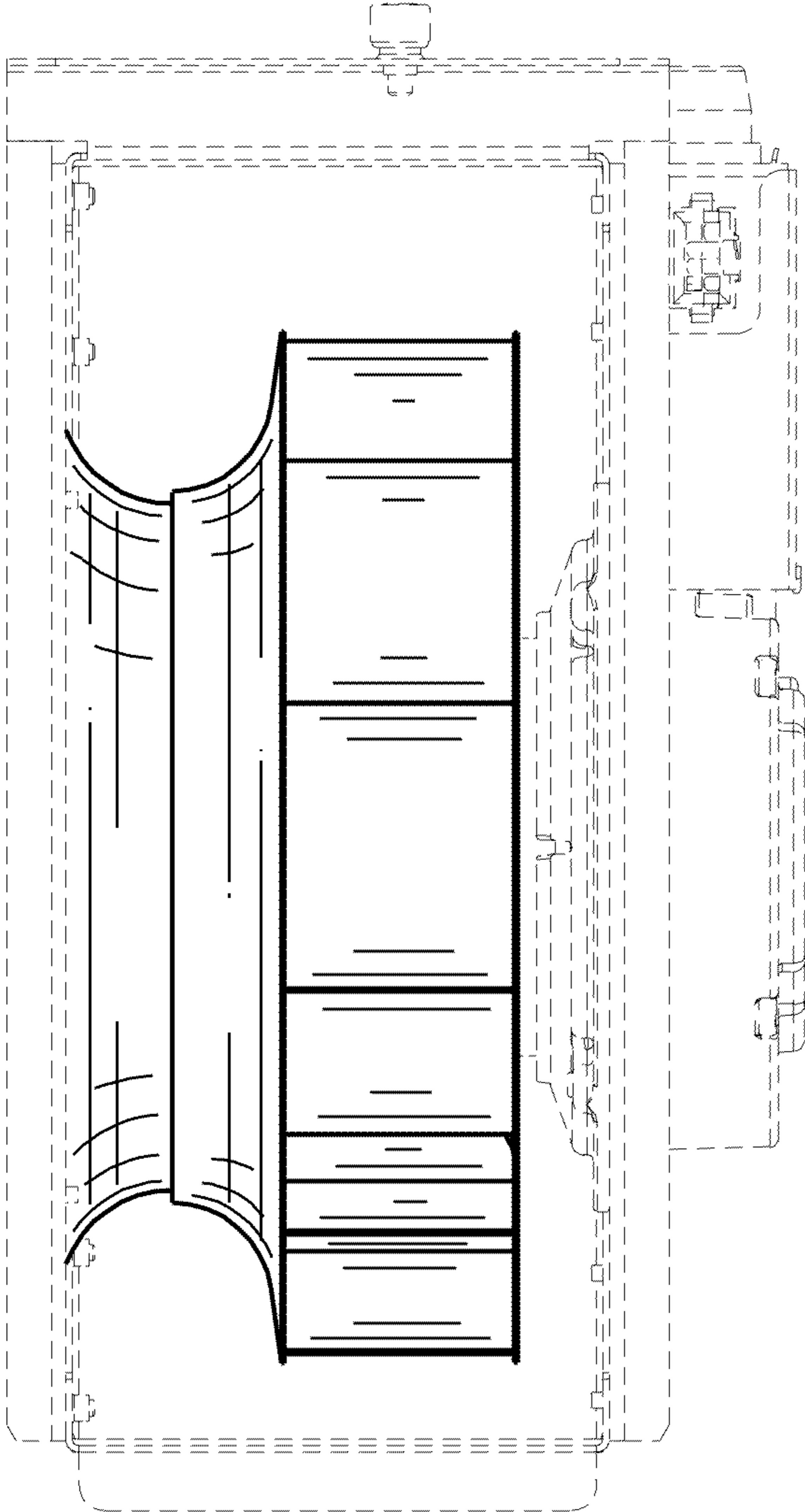


FIG. 5

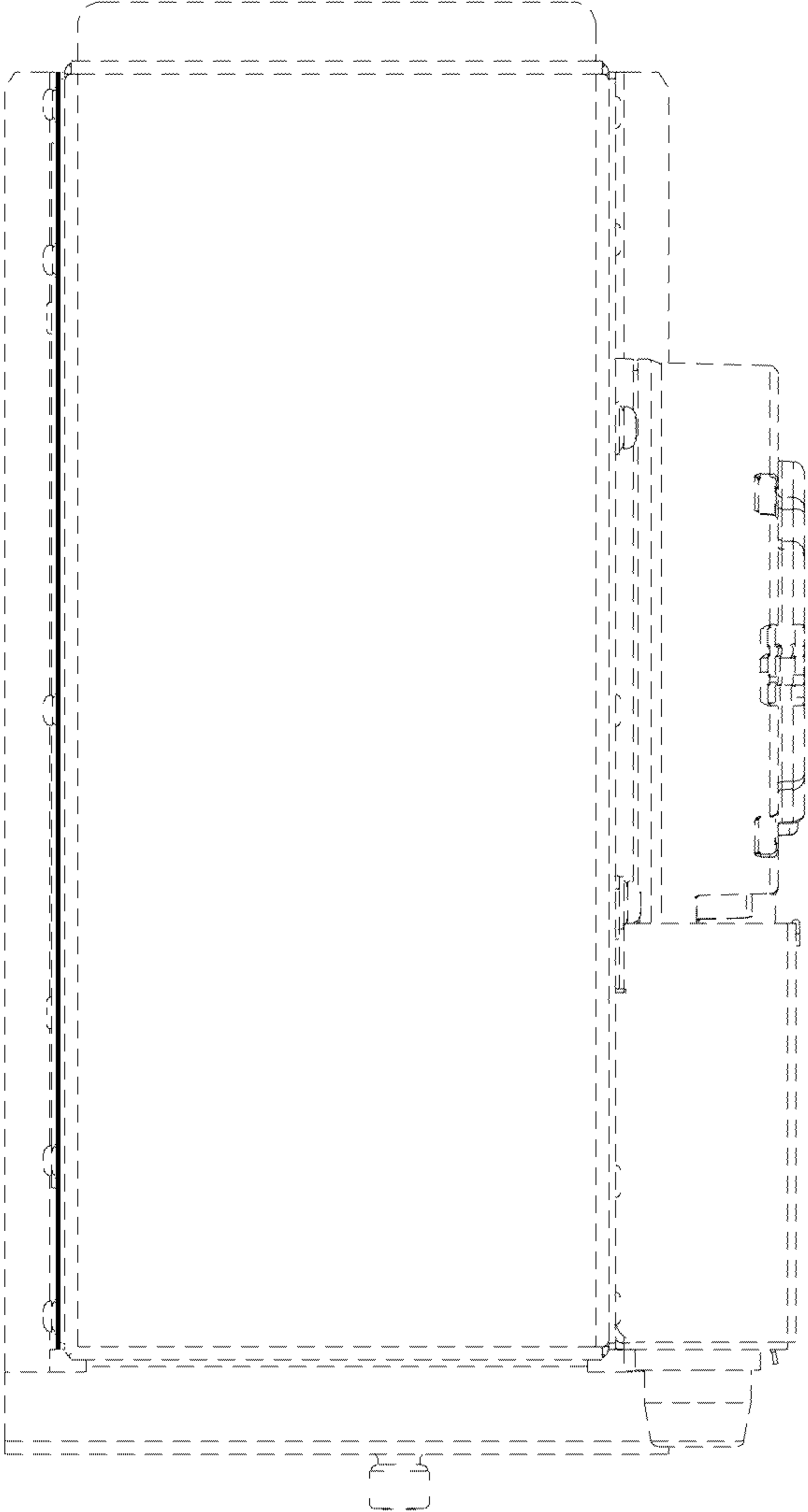


FIG. 6

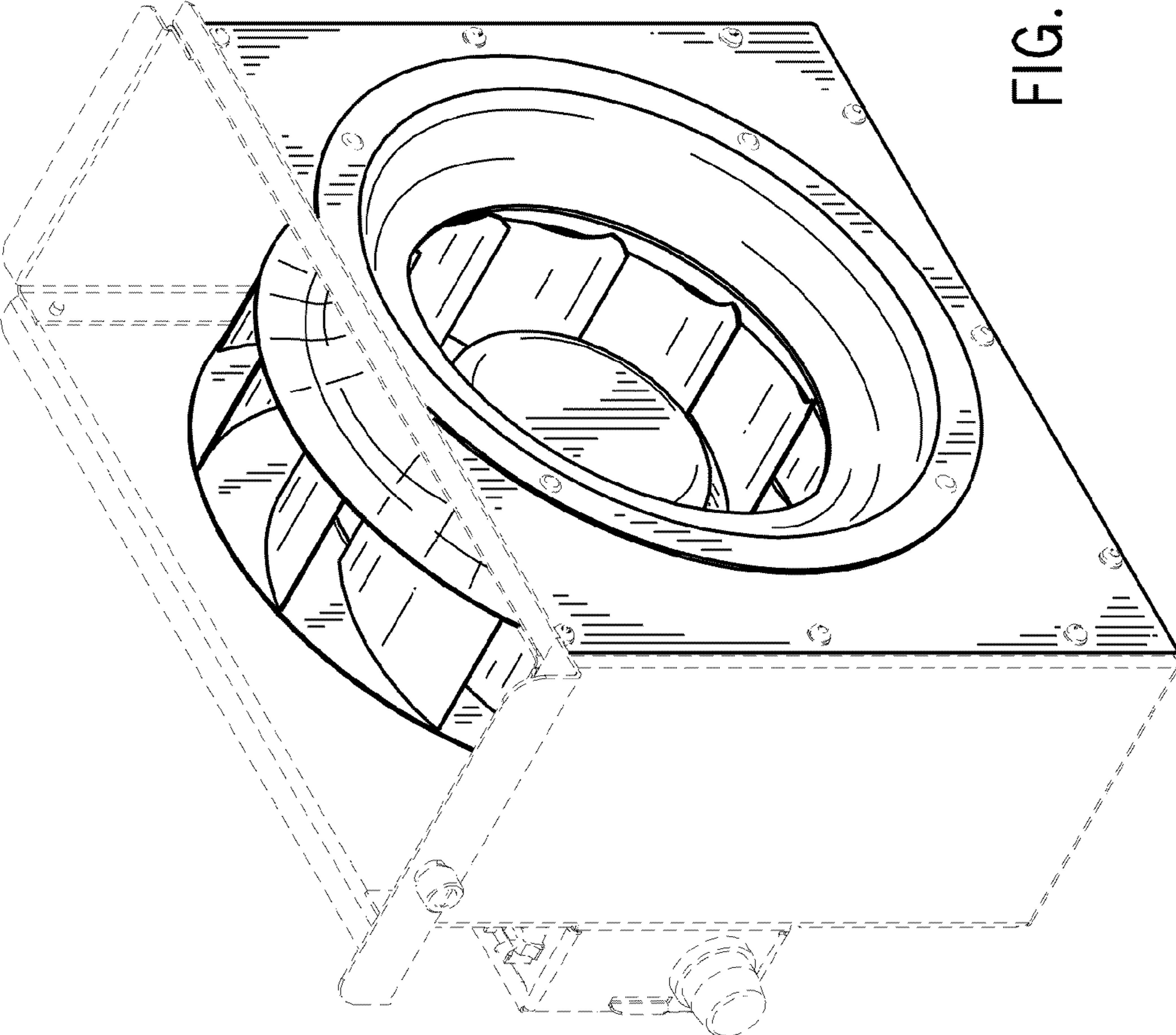


FIG. 7