



US00D687533S

(12) **United States Design Patent**  
**Tang et al.**

(10) **Patent No.:** **US D687,533 S**

(45) **Date of Patent:** **\*\* Aug. 6, 2013**

(54) **FAN**

(56) **References Cited**

(75) Inventors: **Chiang-Kuo Tang**, New Taipei (TW);  
**Tsang-Chiang Yang**, New Taipei (TW);  
**Yi-Ning Lin**, New Taipei (TW);  
**Yen-Hao Lai**, New Taipei (TW);  
**Cheng-Bin Wei**, Shenzhen (CN)

U.S. PATENT DOCUMENTS

D193,245	S	*	7/1962	Knox, Jr.	.....	D21/444
D305,344	S	*	1/1990	Stanzel	.....	D21/444
D310,812	S	*	9/1990	Bergeron	.....	D12/214
5,906,179	A	*	5/1999	Capdevila	.....	123/41.49
D422,528	S	*	4/2000	Charlebois	.....	D11/117
D511,824	S	*	11/2005	Chen et al.	.....	D23/370
D539,358	S	*	3/2007	Shi	.....	D21/441
D670,803	S	*	11/2012	Spaggiari	.....	D23/413
2009/0060711	A1	*	3/2009	Gammack et al.	.....	415/90

(73) Assignee: **Hon Hai Precision Industry Co., Ltd.**,  
New Taipei (TW)

\* cited by examiner

(\*\*) Term: **14 Years**

*Primary Examiner* — Susan Bennett Hattan

(21) Appl. No.: **29/413,763**

*Assistant Examiner* — Janice Hallmark

(22) Filed: **Feb. 20, 2012**

(74) *Attorney, Agent, or Firm* — Altis Law Group, Inc.

(30) **Foreign Application Priority Data**

(57) **CLAIM**

The ornamental design for a fan, as shown and described.

Jan. 13, 2012 (CN) ..... 2012 3 0010120

**DESCRIPTION**

(51) **LOC (9) Cl.** ..... **23-04**

FIG. 1 is a perspective view of a fan showing our new design, the broken lines in the drawing are employed to indicate environmental structures only and form no part of the claimed design;

(52) **U.S. Cl.**

USPC ..... **D23/370**

(58) **Field of Classification Search**

USPC ..... D23/381–383, 370–379, 385–388,  
D23/393, 394, 399, 411–414; 454/237–253,  
454/186, 228–236; 52/302.1; 417/423.1,  
417/423.14; 415/182.1, 200, 90; 416/244 R,  
416/246, 247 R; D6/309; D21/430, 436,  
D21/442, 447, 450, 453, 458

FIG. 2 is a front elevational view thereof;

FIG. 3 is a rear elevational view thereof;

FIG. 4 is a left side elevational view thereof;

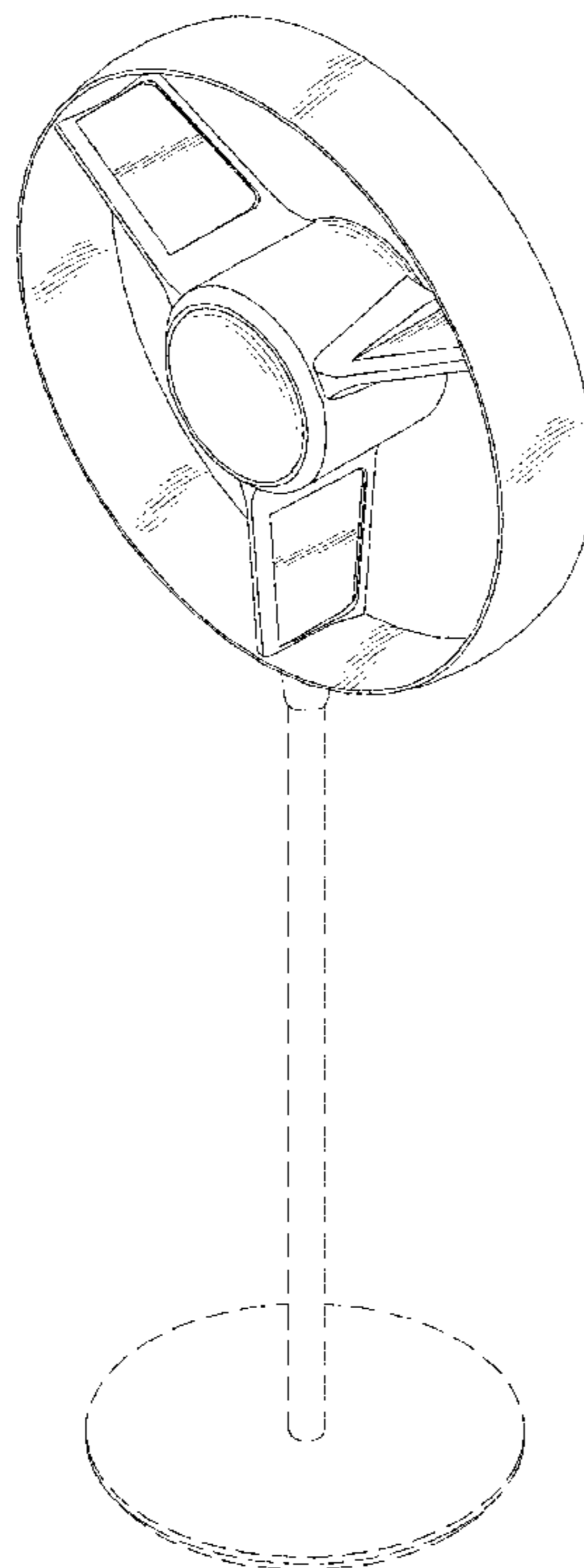
FIG. 5 is a right side elevational view thereof;

FIG. 6 is a top plan view thereof; and,

FIG. 7 is a bottom plan view thereof.

See application file for complete search history.

**1 Claim, 7 Drawing Sheets**



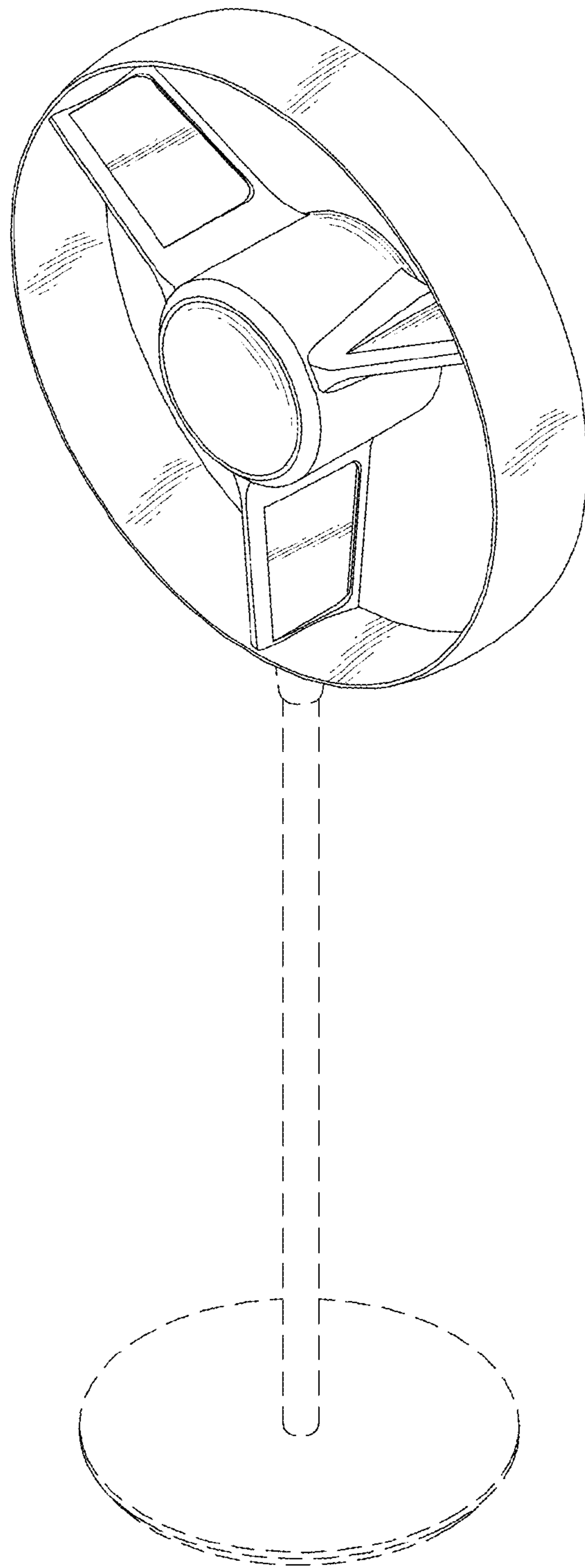


FIG. 1

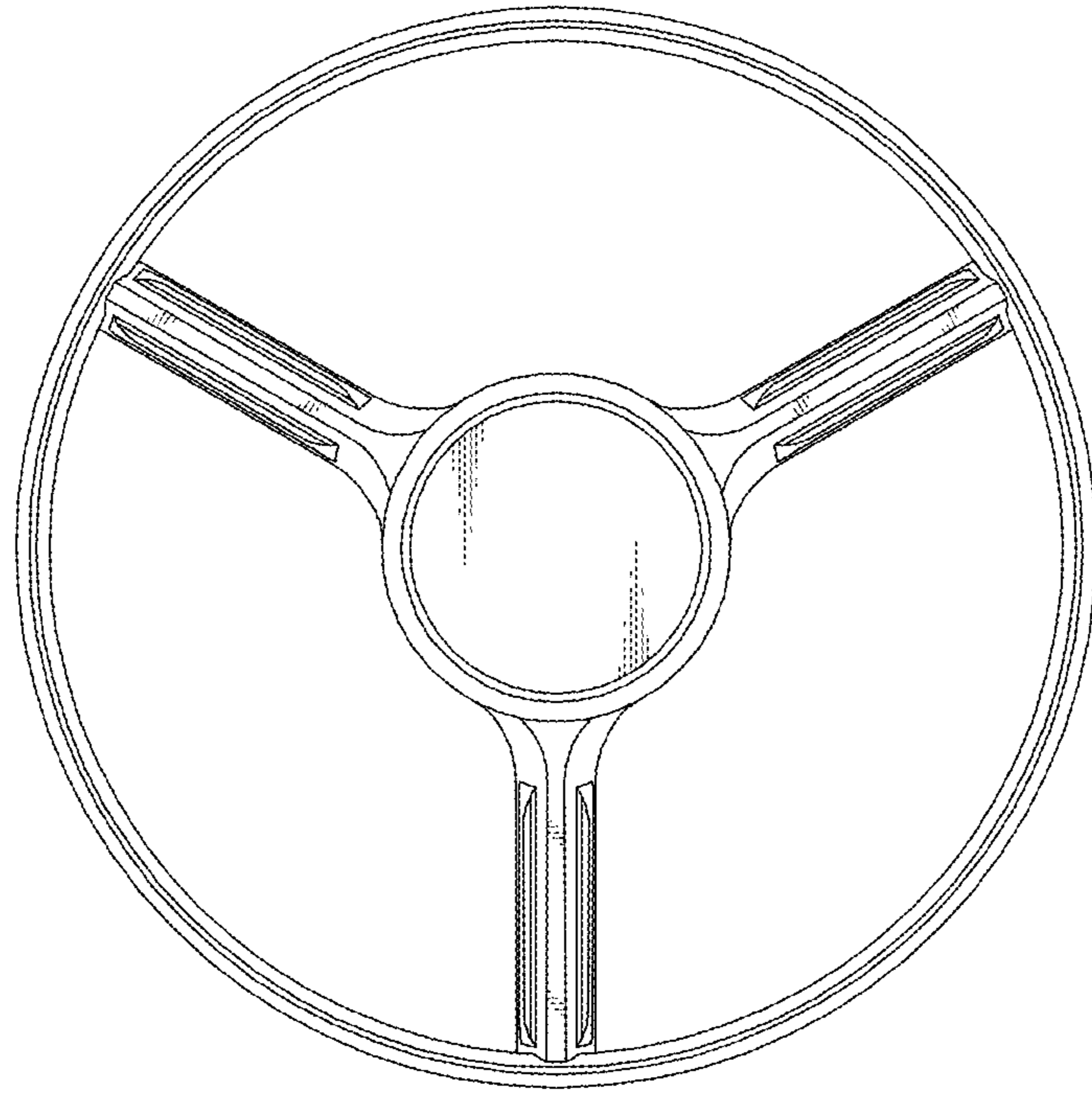


FIG. 2

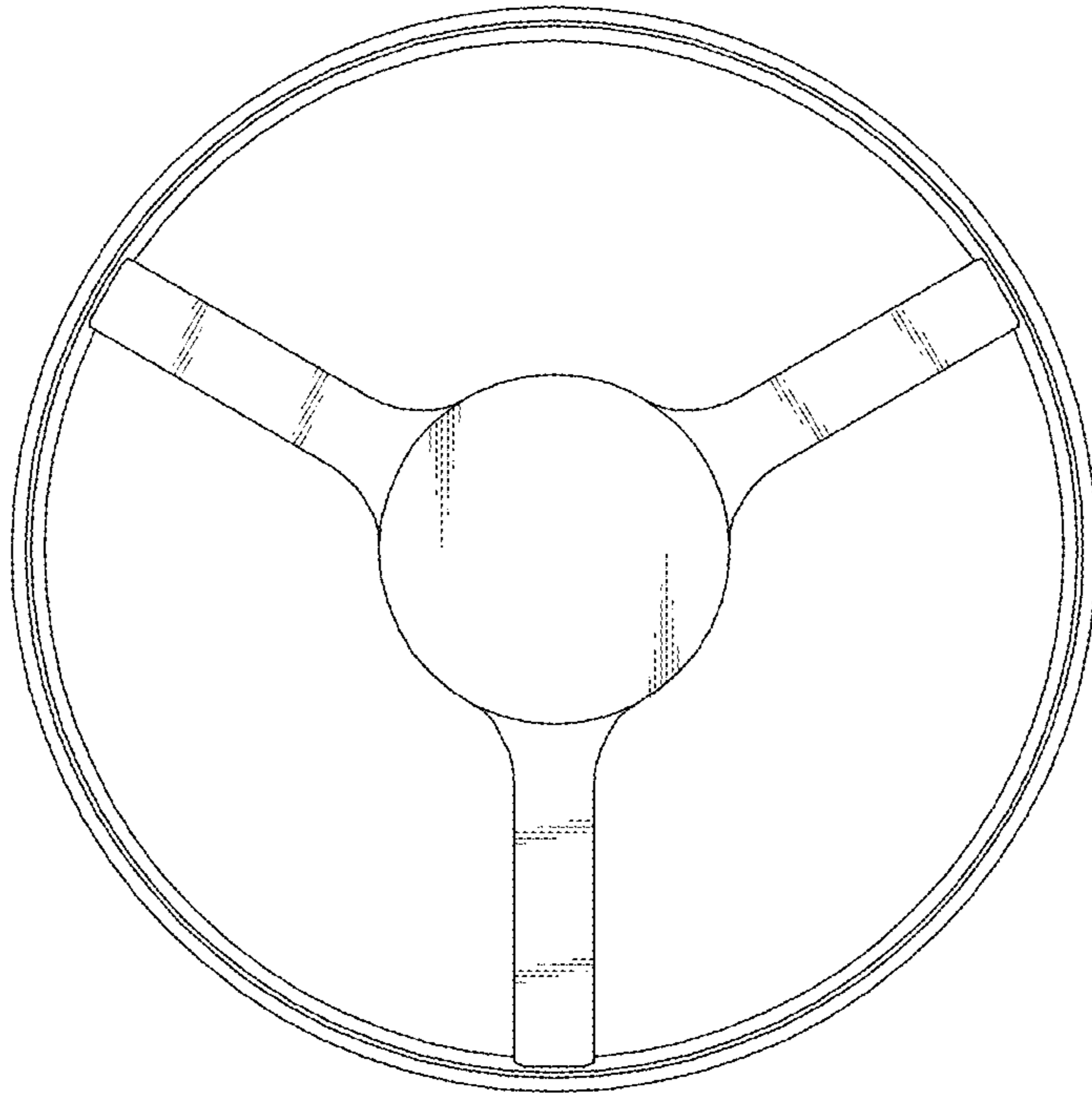


FIG. 3

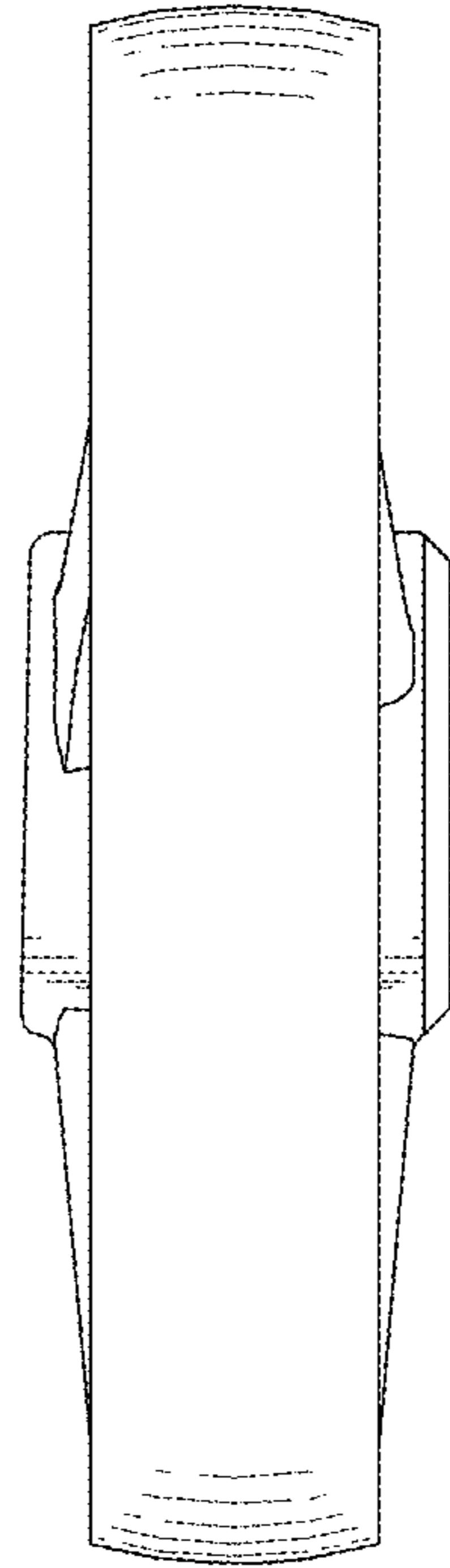


FIG. 4

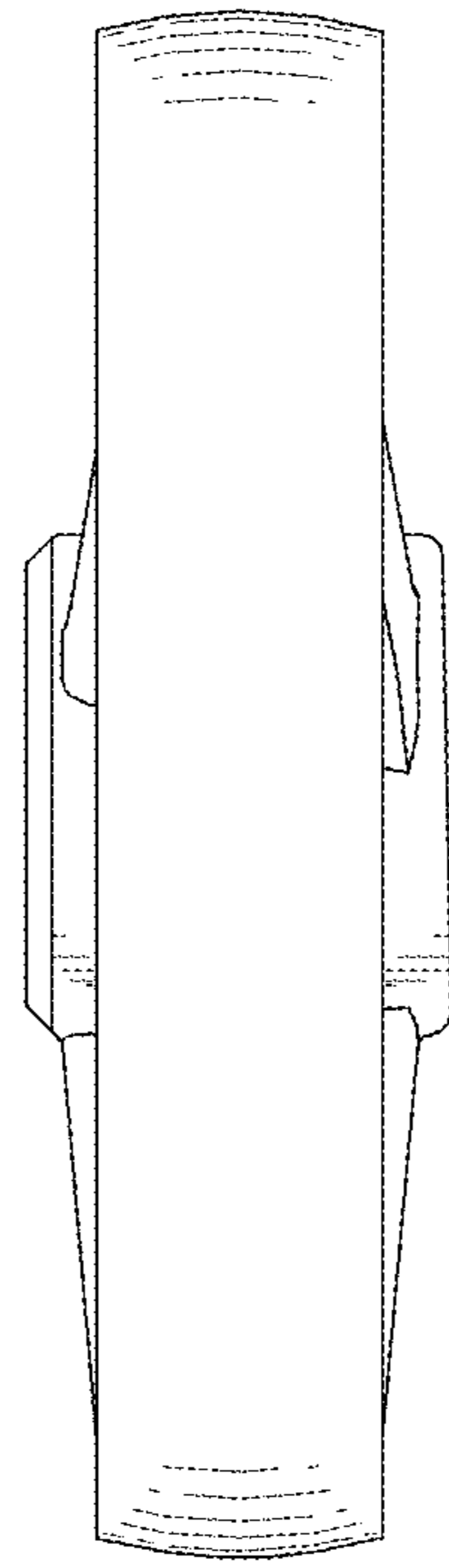


FIG. 5

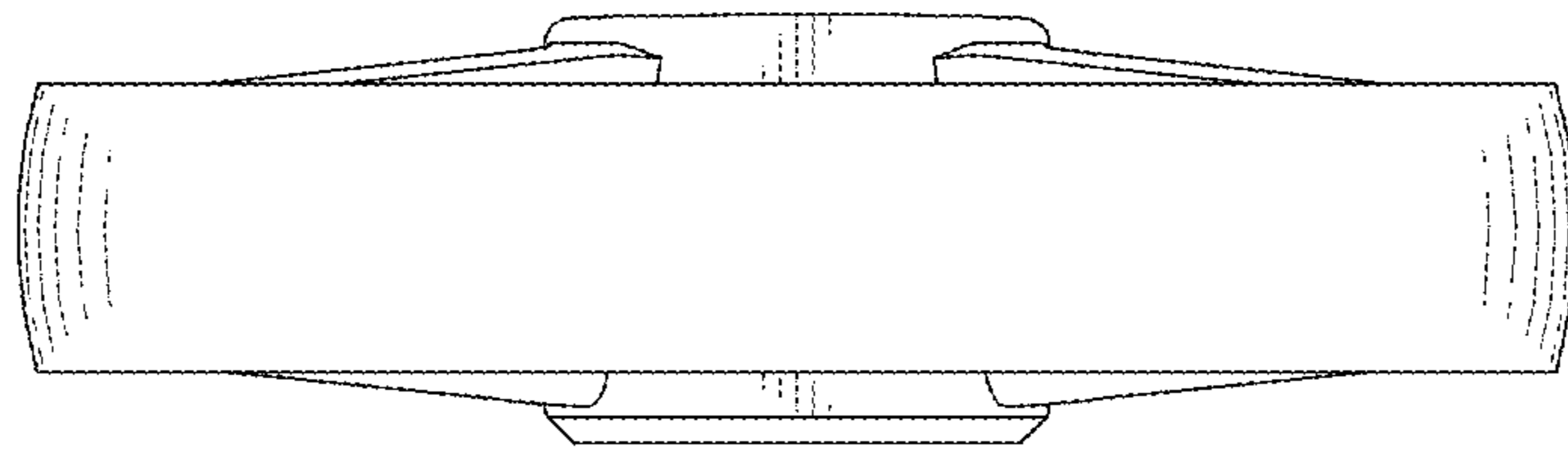


FIG. 6

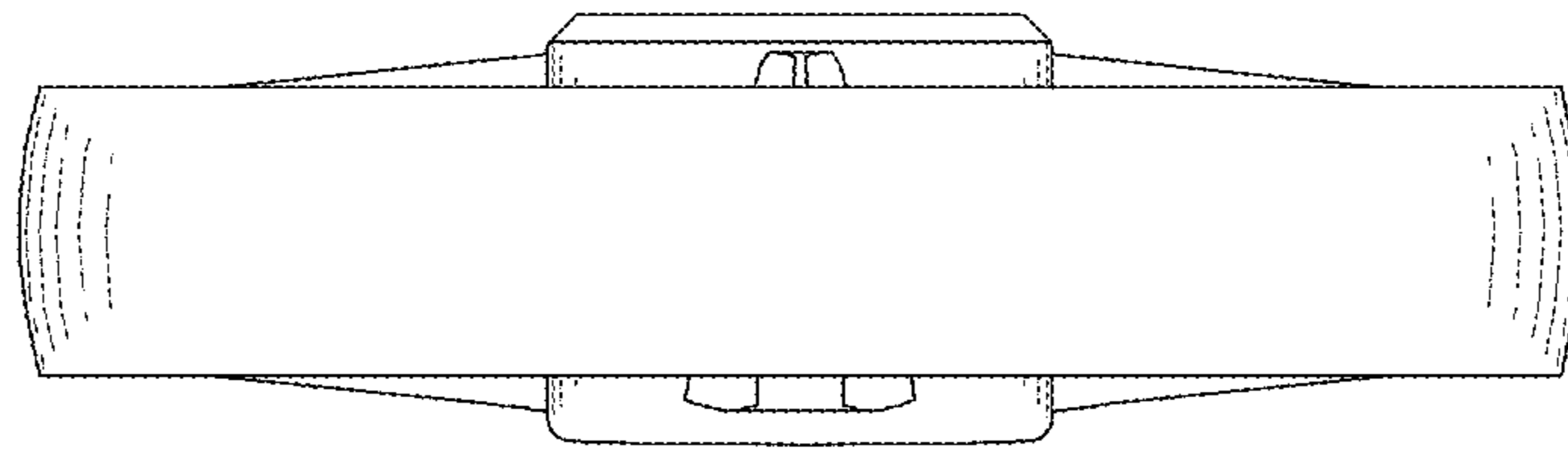


FIG. 7