



US00D687532S

(12) **United States Design Patent**
Choi

(10) **Patent No.:** **US D687,532 S**
(45) **Date of Patent:** **** Aug. 6, 2013**

(54) **AIR PURIFIER**

(75) Inventor: **Hun Jung Choi**, Seoul (KR)

(73) Assignee: **Woongjin Coway Co., Ltd.**,
Choongcheongnam-Do (KR)

(**) Term: **14 Years**

(21) Appl. No.: **29/429,342**

(22) Filed: **Aug. 9, 2012**

(30) **Foreign Application Priority Data**

Feb. 22, 2012 (KR) 30-2012-0008241

(51) **LOC (9) Cl.** **23-04**

(52) **U.S. Cl.**
USPC **D23/364**

(58) **Field of Classification Search**
USPC D23/355-366, 352, 369, 332, 333,
D23/335, 336, 342, 351; 422/120, 122;
55/356, 473, 504; 96/97; D14/188, 170,
D14/172; 261/DIG. 17, DIG. 65, DIG. 88,
261/DIG. 31; D18/34.6

See application file for complete search history.

(56) **References Cited**

U.S. PATENT DOCUMENTS

D550,343 S * 9/2007 Chen D23/364
D566,819 S * 4/2008 Chiu D23/333
D578,632 S * 10/2008 Chen D23/364
D586,451 S * 2/2009 Murai D23/364

D589,132 S * 3/2009 Chiu D23/333
D595,825 S * 7/2009 Ohta et al. D23/364
D603,496 S * 11/2009 Murai et al. D23/364
D603,497 S * 11/2009 Choi D23/364
D604,401 S * 11/2009 Chun et al. D23/359
D608,433 S 1/2010 Murai et al.
D613,386 S * 4/2010 Niki et al. D23/364
D616,081 S * 5/2010 Chiu D23/333
D643,520 S 8/2011 Choi

FOREIGN PATENT DOCUMENTS

KR 30-2010-0037013 8/2010

* cited by examiner

Primary Examiner — David Muller

(74) *Attorney, Agent, or Firm* — McDermott Will & Emery
LLP

(57) **CLAIM**

The ornamental design for air purifier, as shown and described.

DESCRIPTION

FIG. 1 is a perspective view of a air purifier showing my new design;

FIG. 2 is a front view thereof;

FIG. 3 is a rear view thereof;

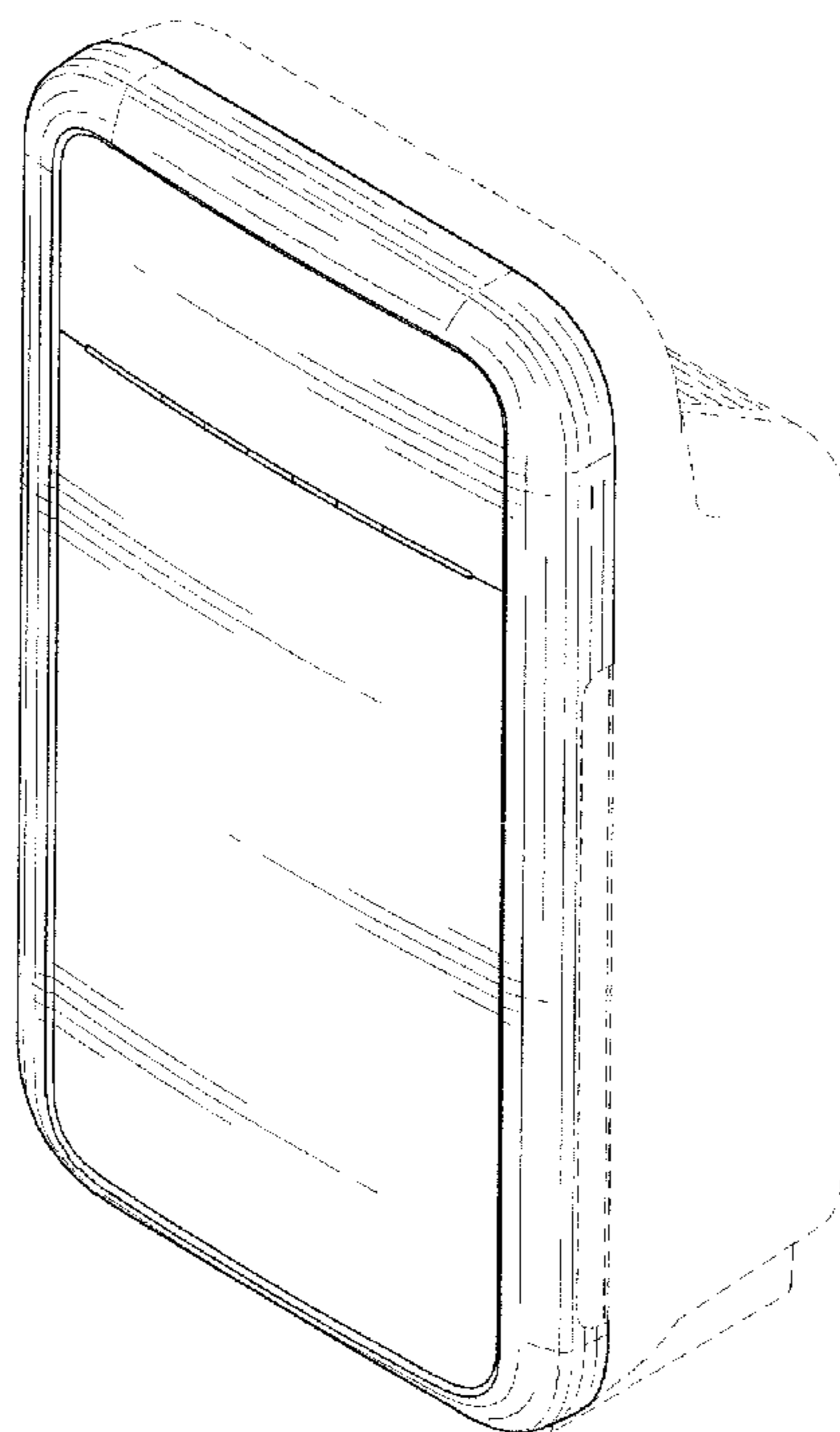
FIG. 4 is a left side view thereof, the right side view thereof being a mirror image;

FIG. 5 is a top plan view thereof; and,

FIG. 6 is a bottom view thereof.

The features shown in broken lines depict environmental structure only and form no part of the claimed design.

1 Claim, 5 Drawing Sheets



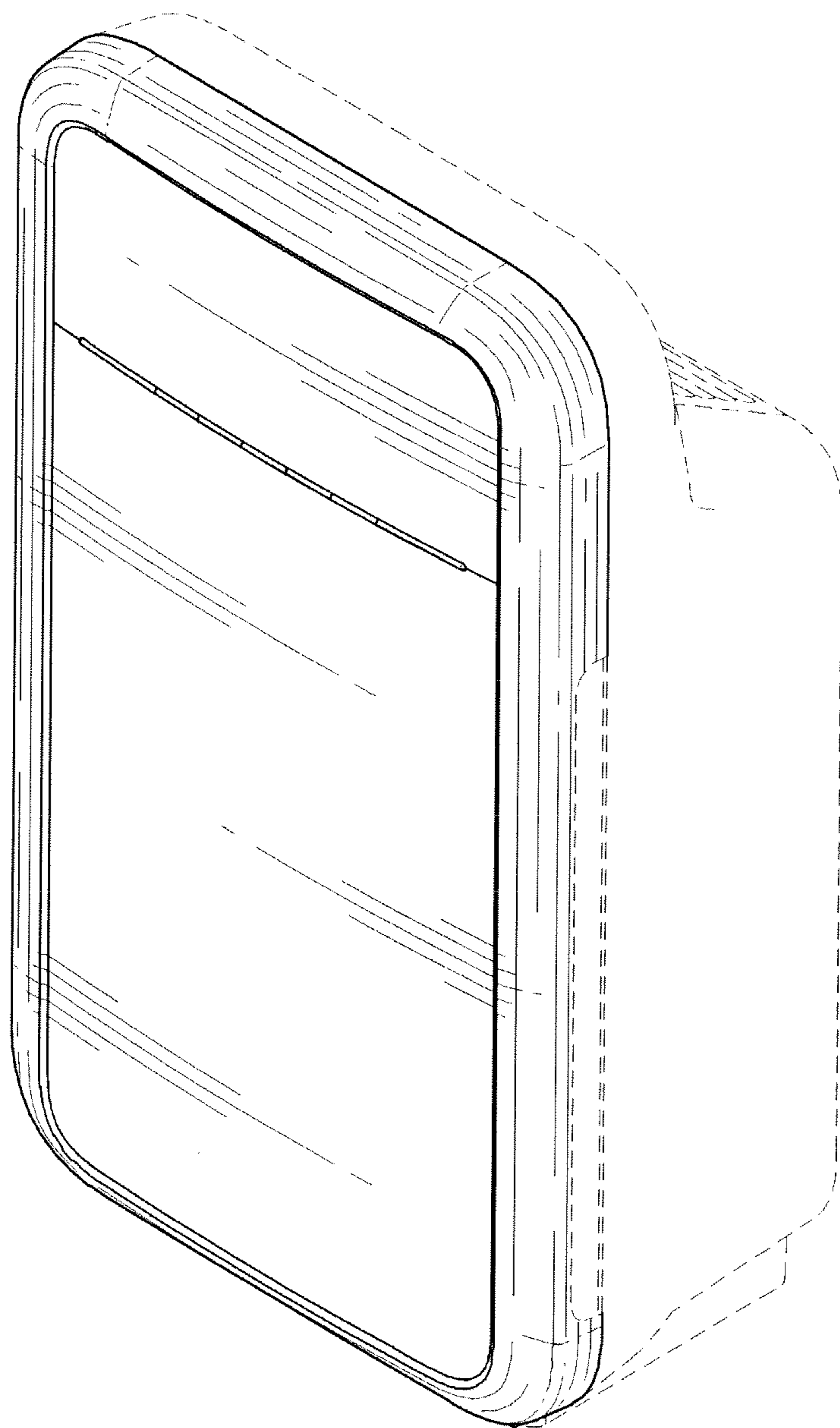


FIG. 1

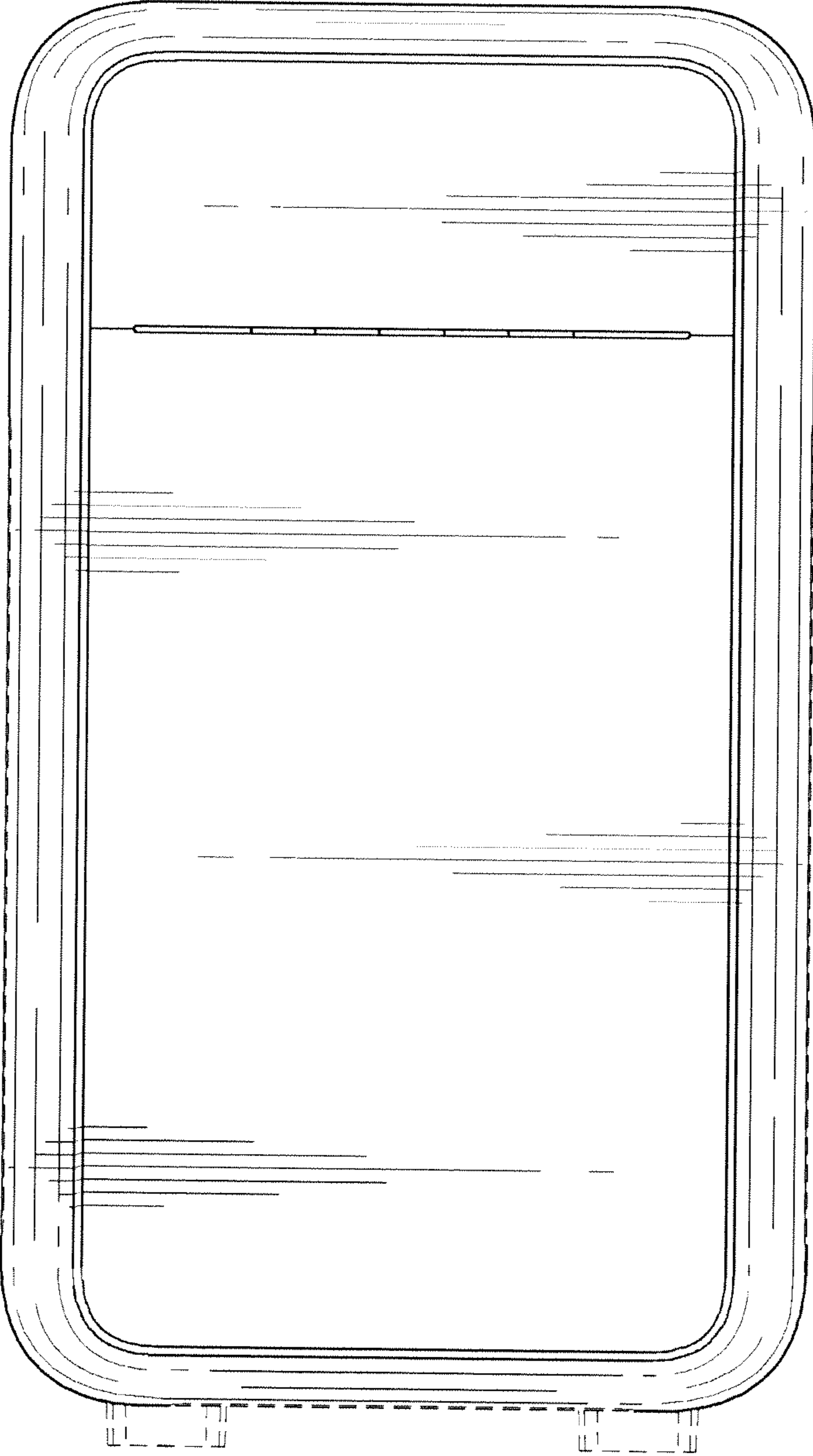


FIG. 2

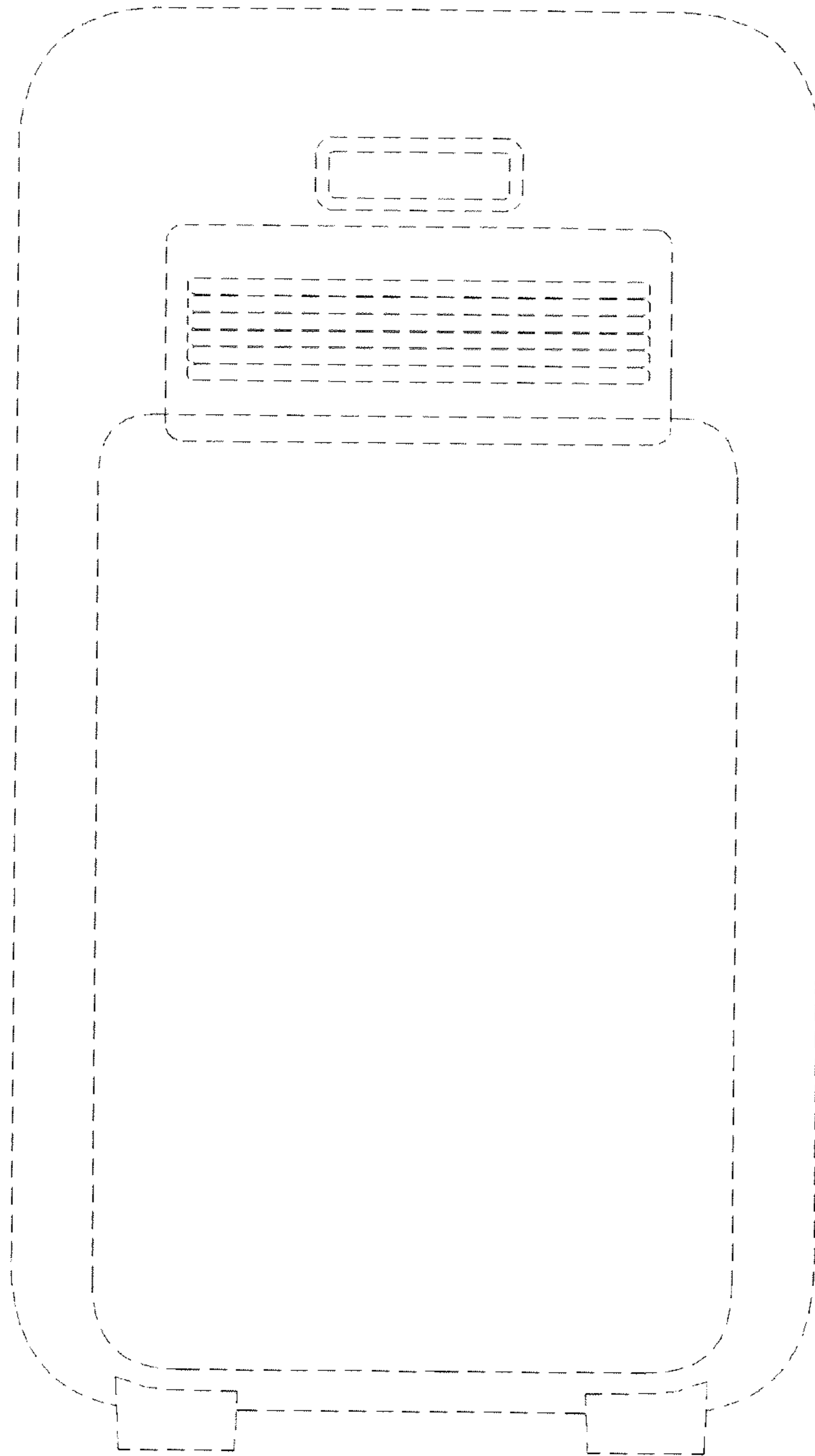


FIG. 3

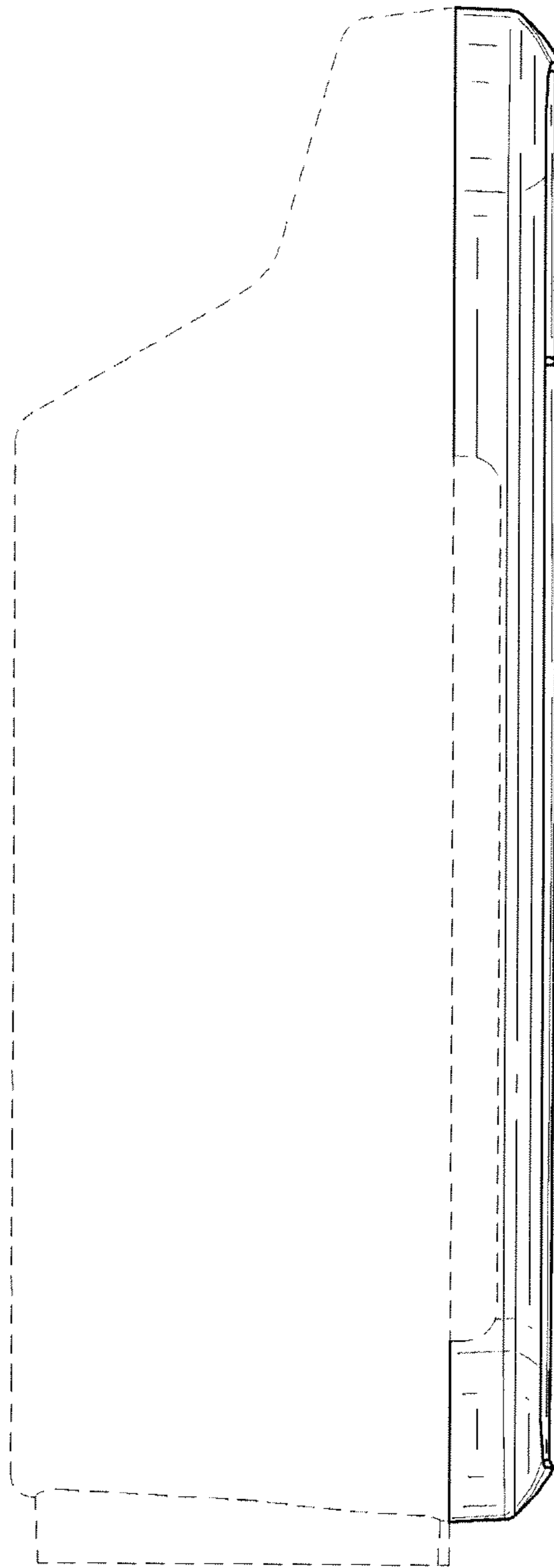


FIG. 4

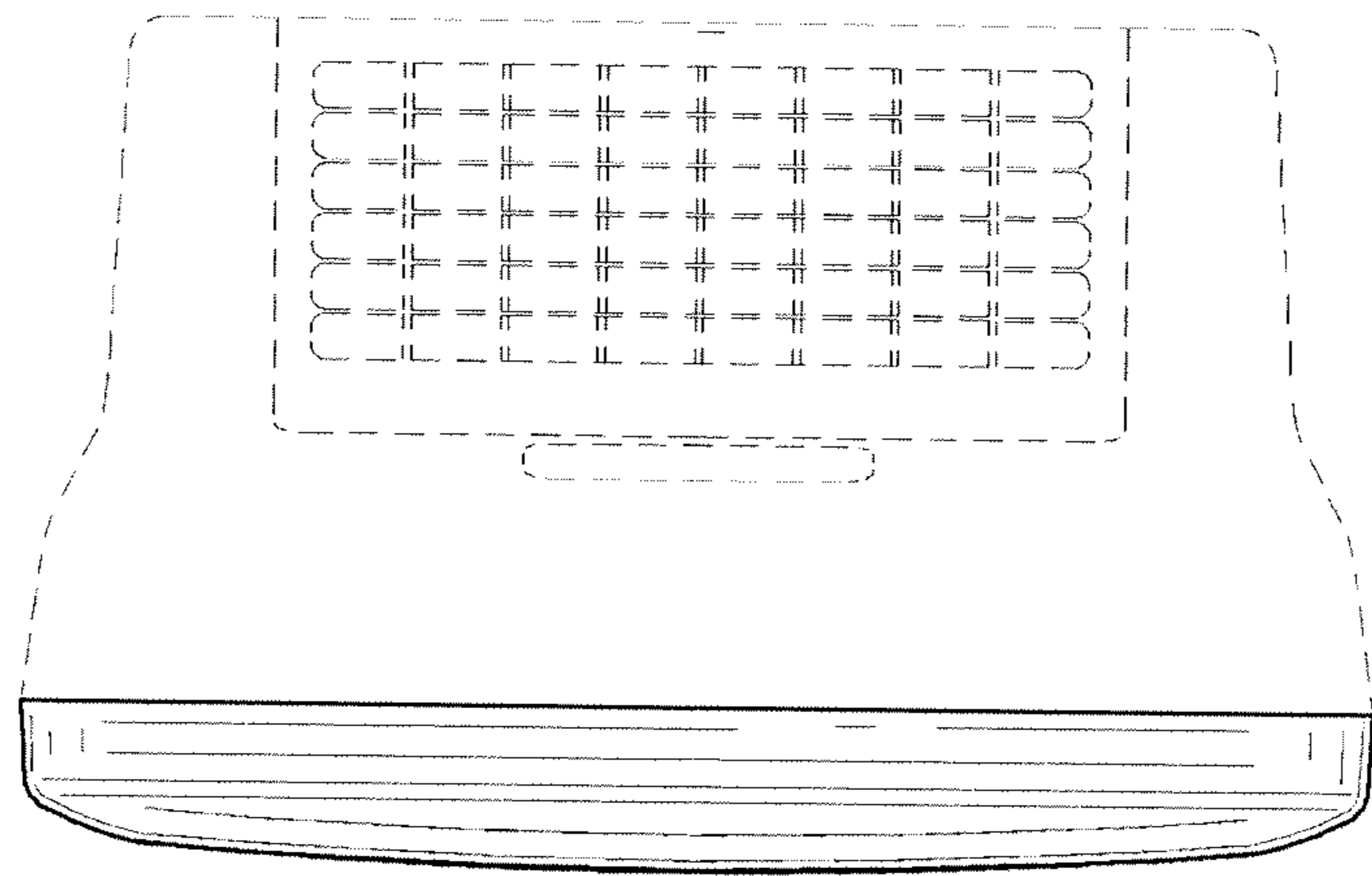


FIG. 5

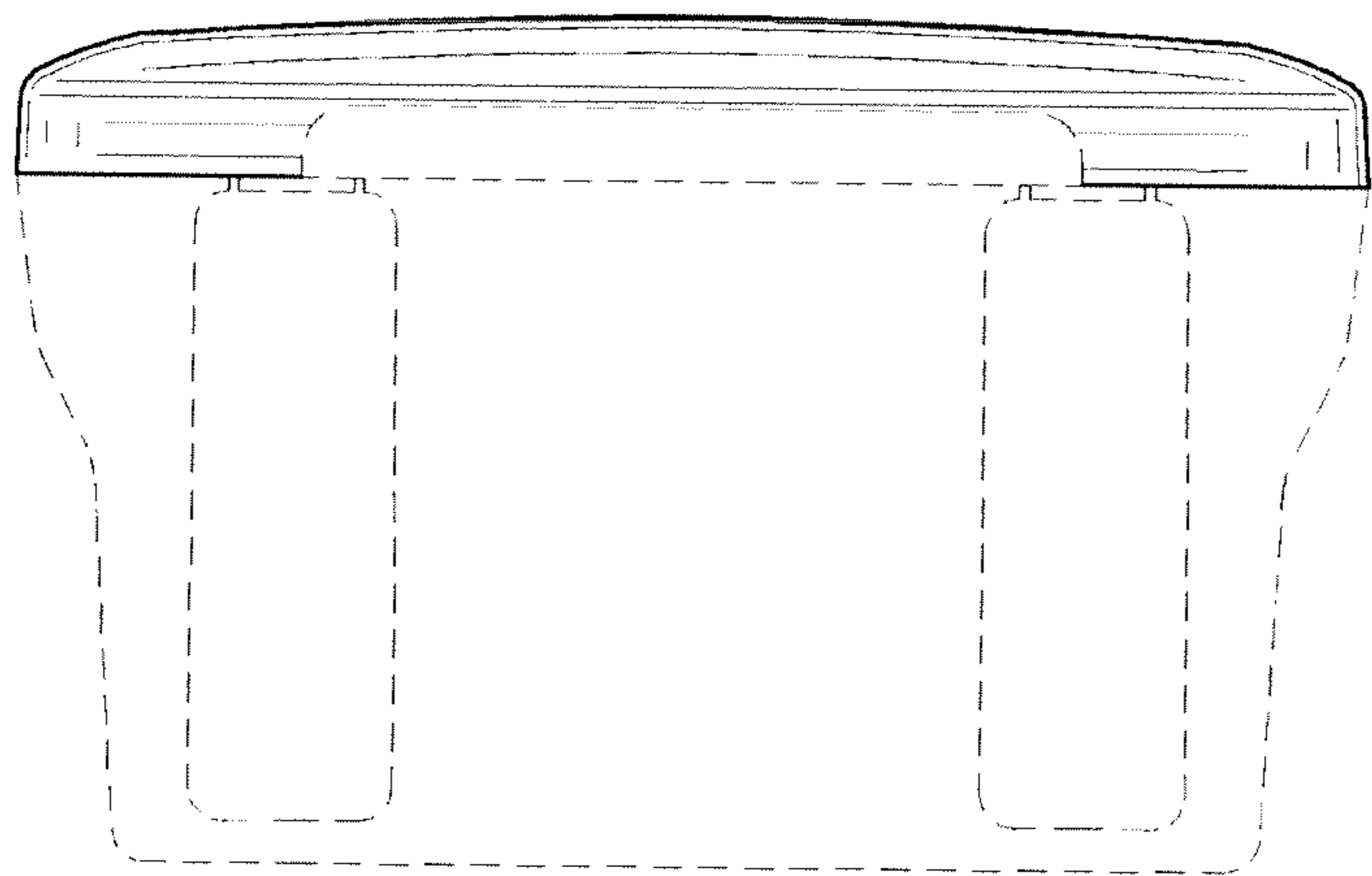


FIG. 6