



US00D687530S

(12) **United States Design Patent**
McGuire et al.

(10) **Patent No.:** **US D687,530 S**
(45) **Date of Patent:** **** Aug. 6, 2013**

- (54) **LAVATORY**
- (71) Applicant: **Bradley Fixtures Corporation,**
Menomonee Falls, WI (US)
- (72) Inventors: **Meghan M. McGuire,** Milwaukee, WI
(US); **William L. Haas,** Slinger, WI
(US)
- (73) Assignee: **Bradley Fixtures Corporation,**
Menomonee Falls, WI (US)
- (**) Term: **14 Years**
- (21) Appl. No.: **29/439,577**
- (22) Filed: **Dec. 12, 2012**
- (51) **LOC (9) Cl.** **23-02**
- (52) **U.S. Cl.**
USPC **D23/308**
- (58) **Field of Classification Search**
USPC D23/284–285, 293.1, 308; 4/619,
4/631, 650, 660
See application file for complete search history.

(56) **References Cited**

U.S. PATENT DOCUMENTS

D198,016 S	4/1964	Kaiser	
D434,124 S	11/2000	McKeone	
D492,015 S	6/2004	Kergoet	
D545,415 S *	6/2007	Tani et al.	D23/293.1
D563,533 S	3/2008	Kakahana et al.	
D598,081 S	8/2009	Soulier	
D598,989 S	8/2009	Kakahana et al.	
D611,128 S *	3/2010	Soulier	D23/293.1
D624,632 S	9/2010	Booth et al.	
D629,877 S	12/2010	Rundberg	

FOREIGN PATENT DOCUMENTS

EM	000077920-0002	1/2004
EM	000094727-0001	3/2004

EM	000115100-0001	3/2004
EM	000115100-0003	3/2004
EM	000195987-0001	9/2004
EM	000176987-0001	11/2004
EM	000230594-0001	12/2004
EM	000250212-0002	1/2005
EM	000308671-0003	3/2005
EM	000308671-0004	3/2005
EM	000308671-0005	3/2005
EM	000567870-0002	9/2006
EM	000853320-0003	2/2008

(Continued)

Primary Examiner — Robert Delehanty
(74) *Attorney, Agent, or Firm* — Foley & Lardner LLP

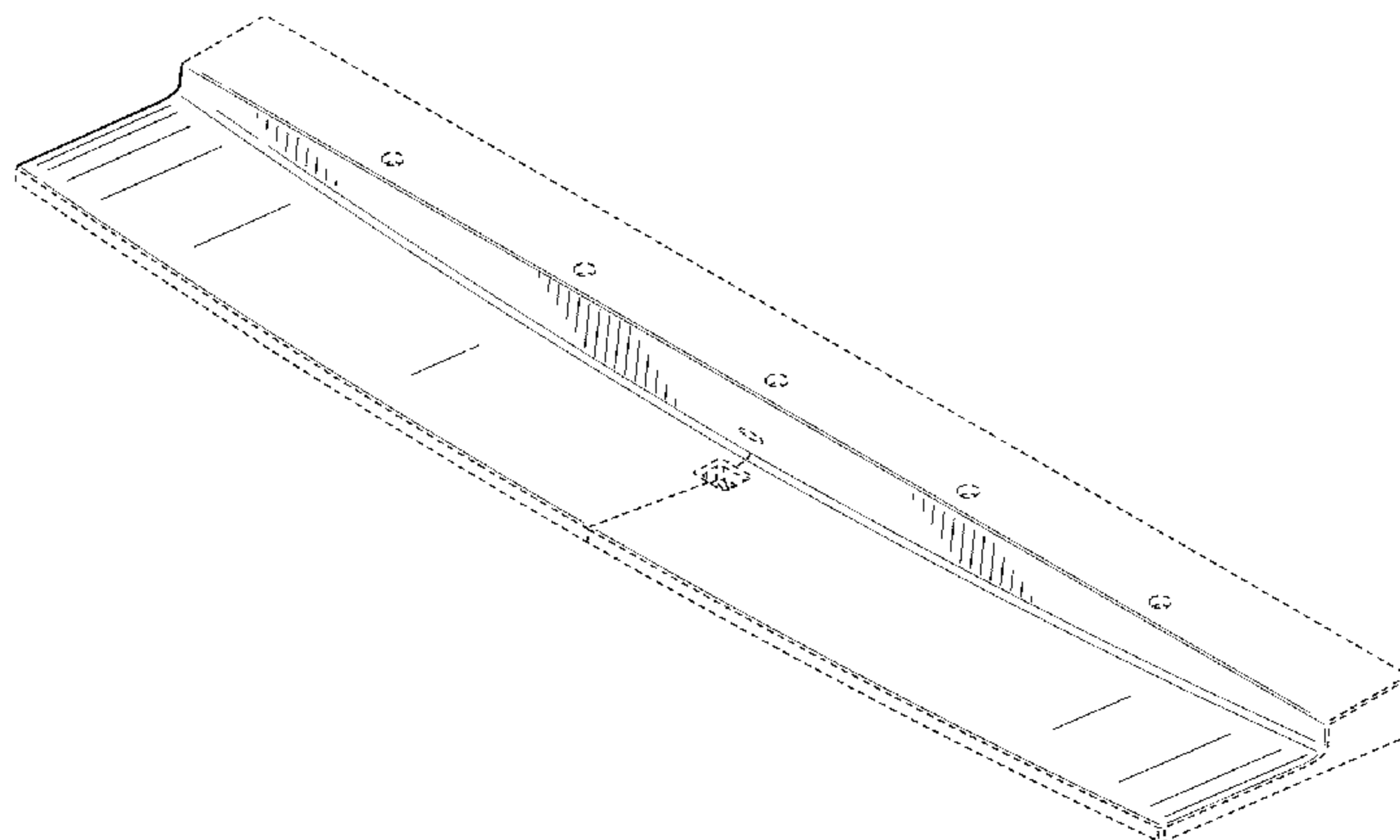
(57) **CLAIM**
We claim the ornamental design for a lavatory, as shown and described.

DESCRIPTION

FIG. 1 is a perspective view of an embodiment of the claimed design;
 FIG. 2 is a front view thereof;
 FIG. 3 is a rear view thereof;
 FIG. 4 is a top view thereof;
 FIG. 5 is a bottom view thereof;
 FIG. 6 is a left side view thereof;
 FIG. 7 is a right side view thereof;
 FIG. 8 is a section view thereof taken along line 8-8 in FIG. 4;
 FIG. 9 is a section view thereof taken along line 9-9 in FIG. 4;
 and,
 FIG. 10 is a section view thereof taken along line 10-10 in FIG. 4.

The ornamental design which is claimed is shown in solid lines in the drawings. The broken lines in the drawings are for illustrative purposes only and form no part of the claimed design. The dash-dot lines shown in some of the drawings are provided to define the boundary of the claimed design and form no part of the claimed design.

1 Claim, 6 Drawing Sheets

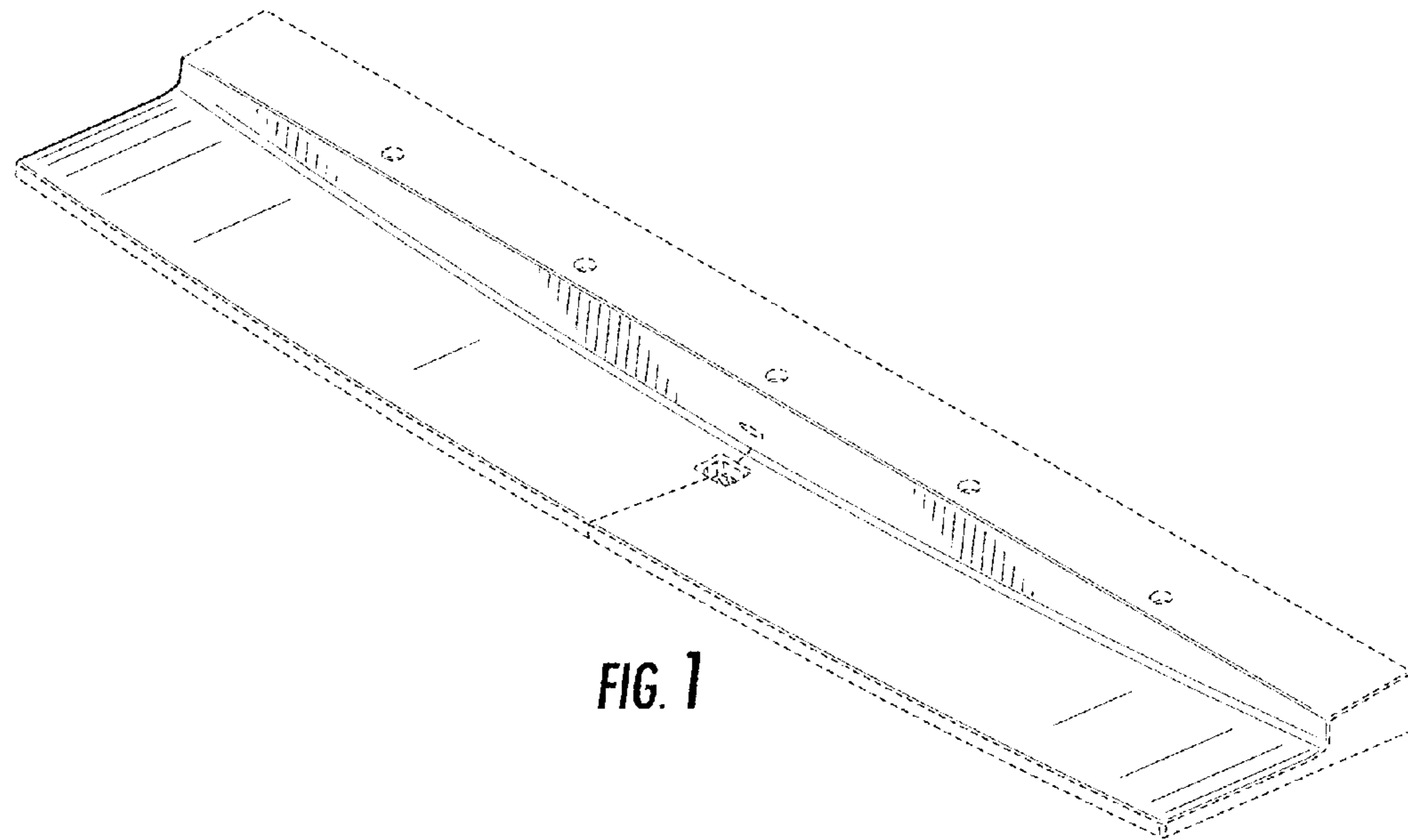


US D687,530 S

Page 2

FOREIGN PATENT DOCUMENTS					
EM	000868674-0002	9/2008	EM	000723275-0002	11/2009
EM	001101687-0023	4/2009	EM	001628041-0018	11/2009
EM	001120372-0008	5/2009	EM	001873332-0005	6/2011
EM	001552837-0006	7/2009	WO	IB DM050901	2/2000
EM	000759204-0007	10/2009	WO	IB DM072571	10/2009

* cited by examiner



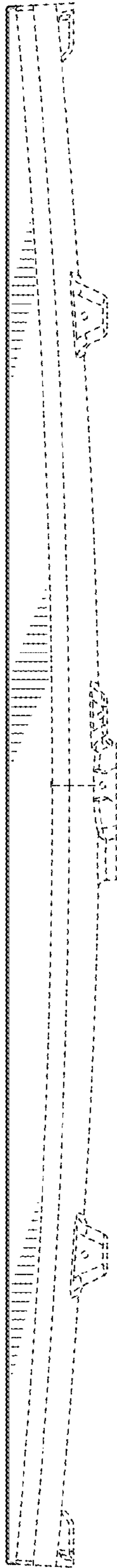


FIG. 2

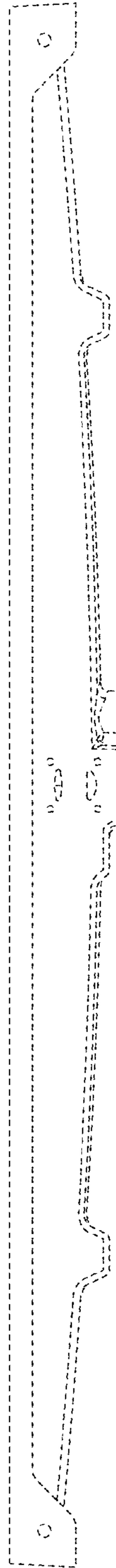


FIG. 3

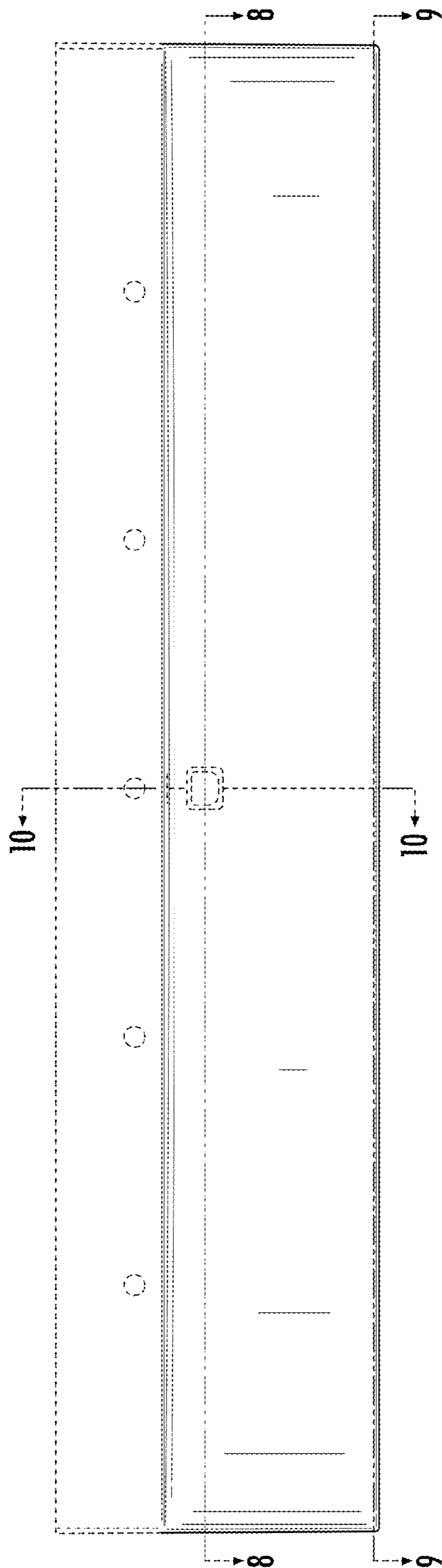


FIG. 4

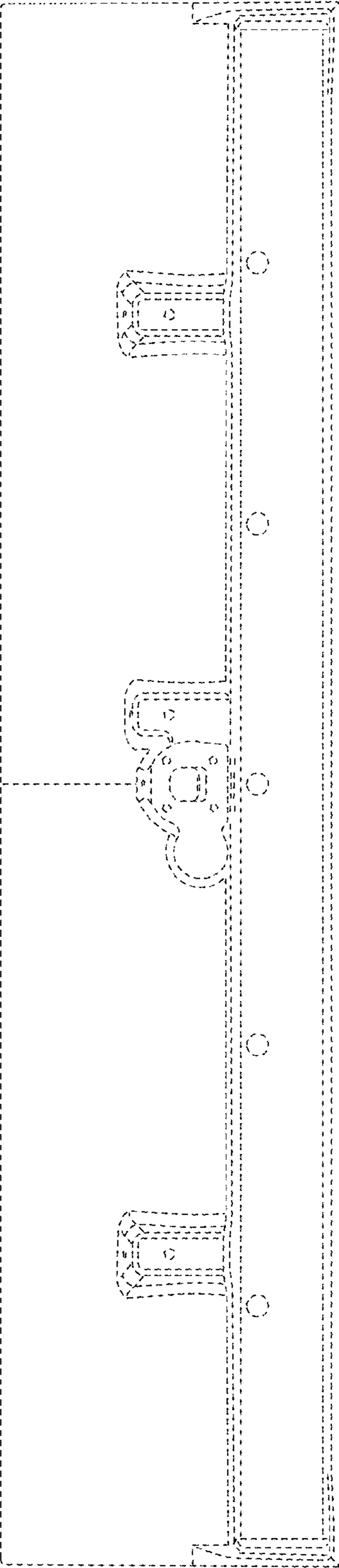


FIG. 5

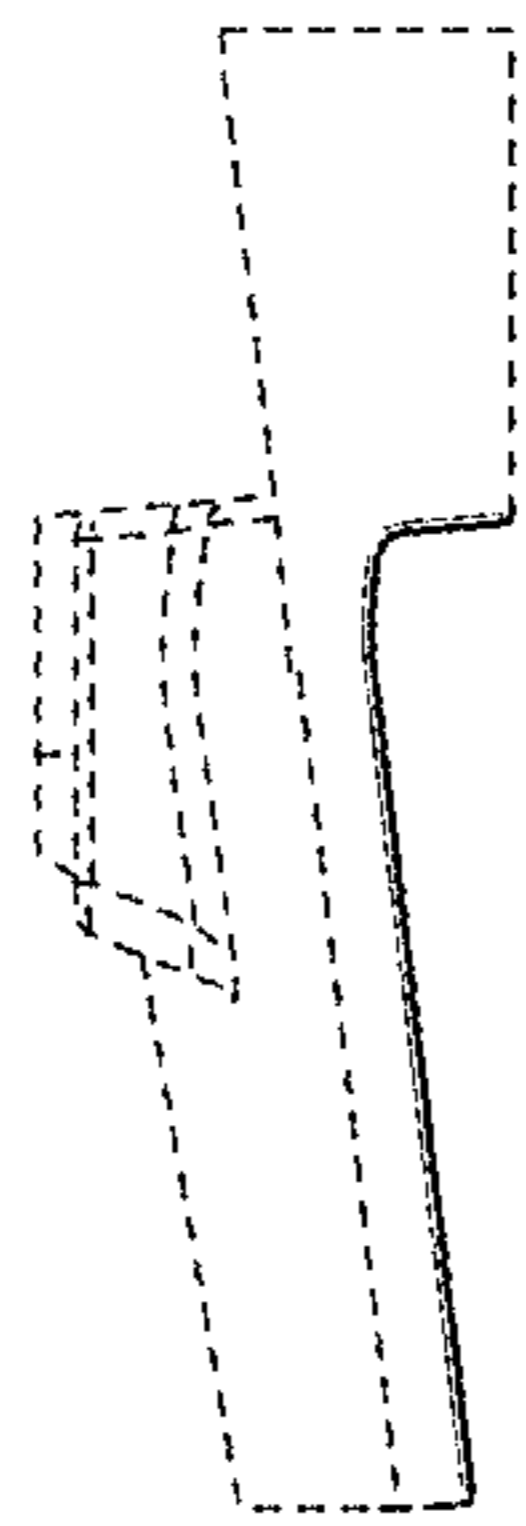


FIG. 6

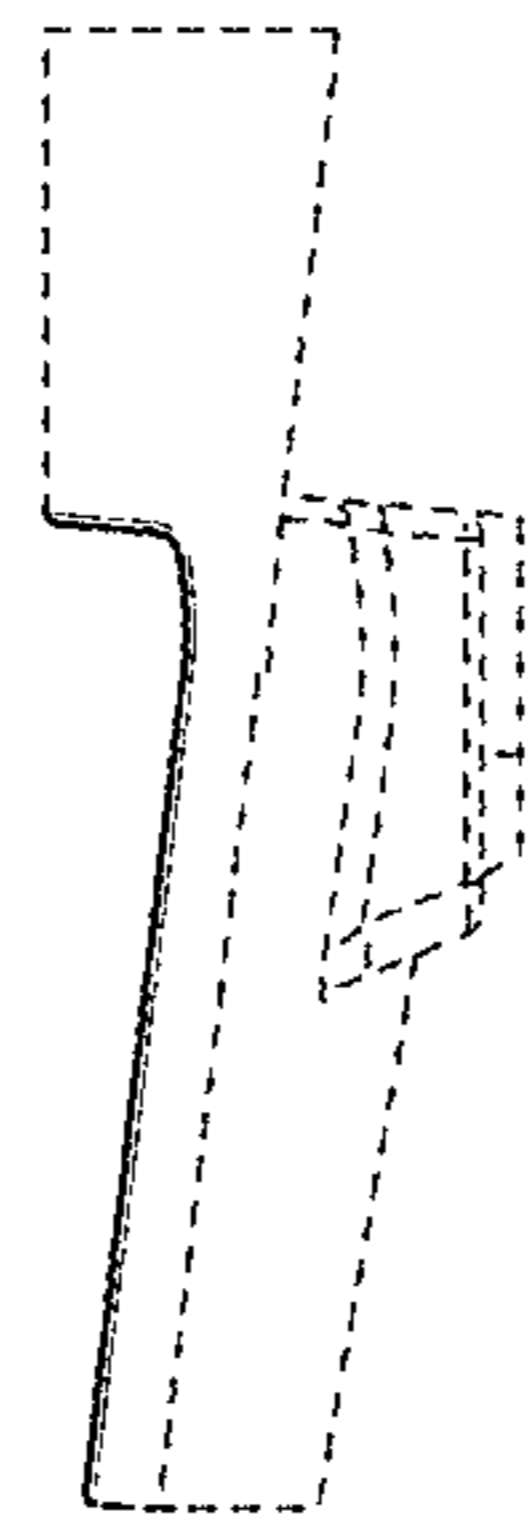


FIG. 7



FIG. 8

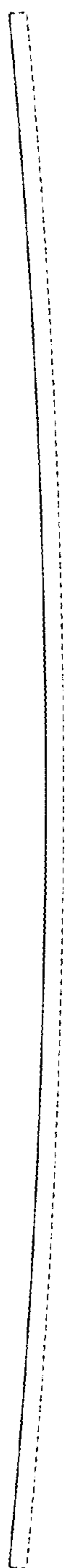


FIG. 9

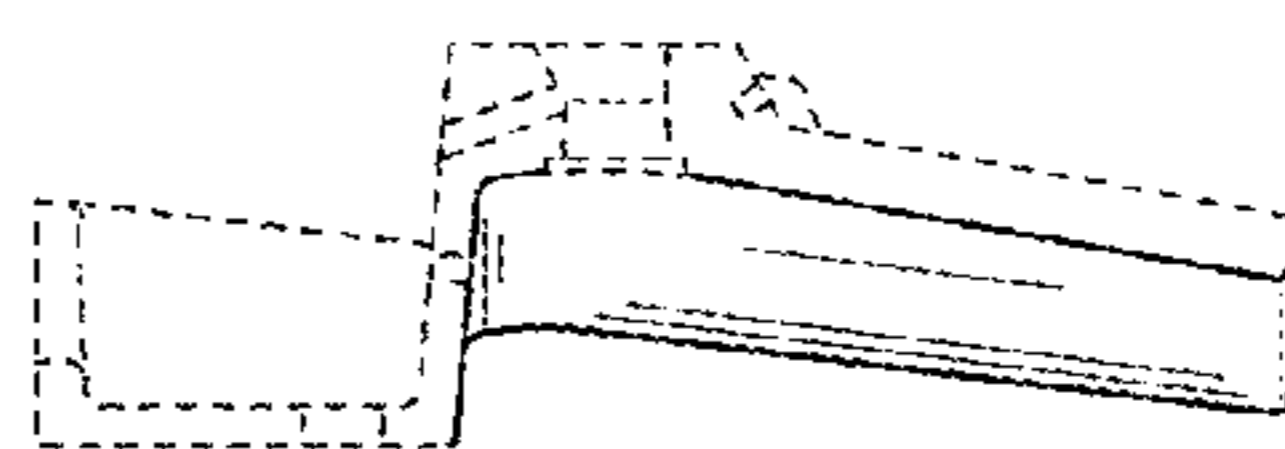


FIG. 10