



US00D687529S

(12) **United States Design Patent**  
**Stauffer**

(10) **Patent No.:** **US D687,529 S**

(45) **Date of Patent:** **\*\* Aug. 6, 2013**

(54) **LAVATORY**

(71) Applicant: **Monty D. Stauffer**, Sheboygan, WI (US)

(72) Inventor: **Monty D. Stauffer**, Sheboygan, WI (US)

(73) Assignee: **Kohler Co.**, Kohler, WI (US)

(\*\*) Term: **14 Years**

(21) Appl. No.: **29/443,749**

(22) Filed: **Jan. 22, 2013**

**Related U.S. Application Data**

(62) Division of application No. 29/419,052, filed on Apr. 24, 2012.

(51) **LOC (9) Cl.** ..... **23-02**

(52) **U.S. Cl.**  
USPC ..... **D23/293.1**

(58) **Field of Classification Search**  
USPC ..... D23/284, 287, 293; 4/619, 656,  
4/637

See application file for complete search history.

(56) **References Cited**

U.S. PATENT DOCUMENTS

D416,991 S 11/1999 Caplow  
D538,900 S 3/2007 Bates et al.  
D560,780 S 1/2008 Hanna

*Primary Examiner* — Robert Delehanty

(74) *Attorney, Agent, or Firm* — Foley & Lardner LLP

(57) **CLAIM**

I claim the ornamental design for a lavatory, as shown and described.

**DESCRIPTION**

FIG. 1 is a top perspective view of an embodiment of the claimed design;

FIG. 2 is a front view of the claimed design of FIG. 1;

FIG. 3 is a rear view of the claimed design of FIG. 1;

FIG. 4 is a top plan view of the claimed design of FIG. 1;

FIG. 5 is a bottom plan view of the claimed design of FIG. 1;

FIG. 6 is a right-side view of the claimed design of FIG. 1;

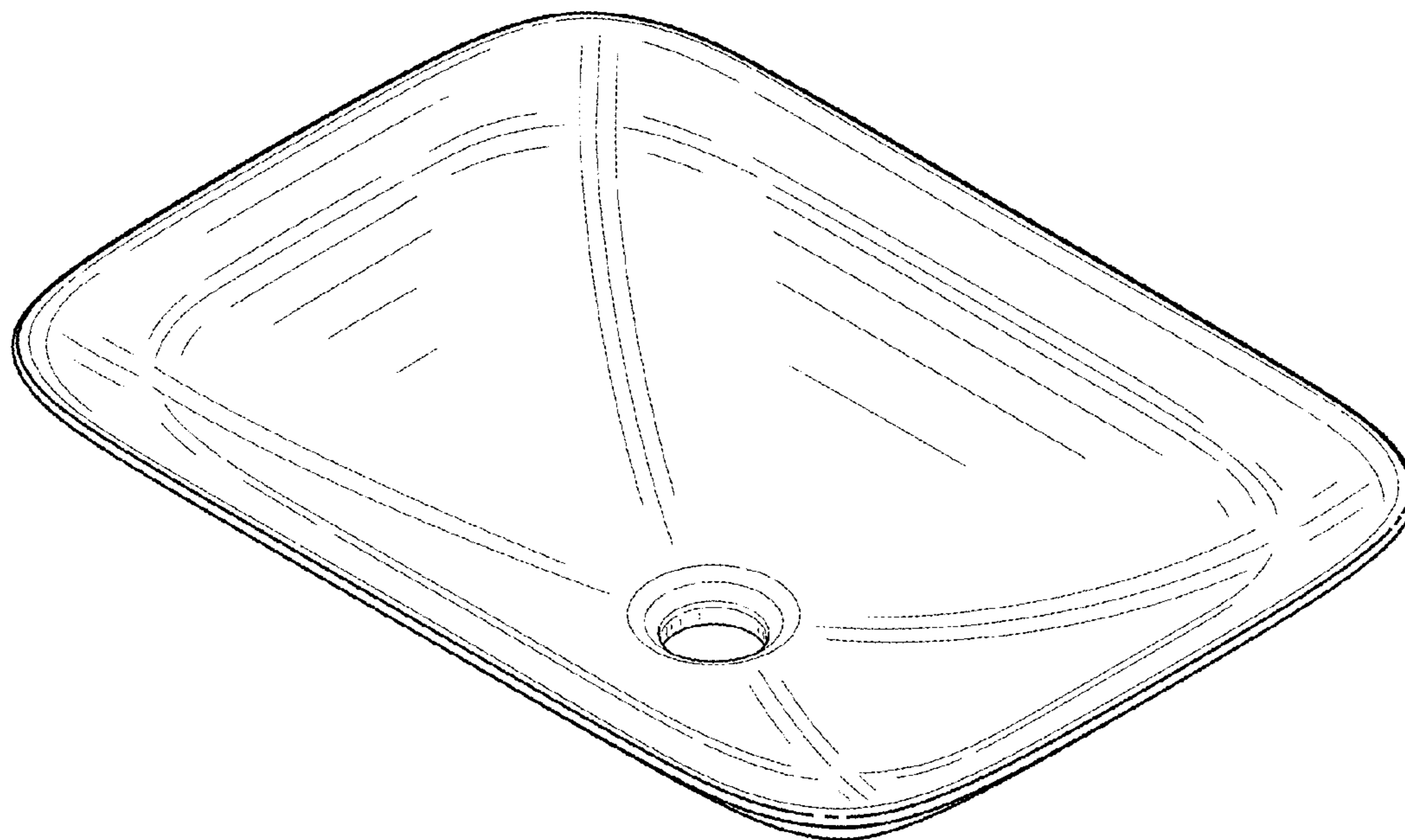
FIG. 7 is a left-side view of the claimed design of FIG. 1;

FIG. 8 is a cross-sectional view of the claimed design of FIG. 1 taken across lines 8-8 in FIG. 4; and,

FIG. 9 is another cross-sectional view of the claimed design of FIG. 1 taken across lines 9-9 in FIG. 4.

The ornamental design which is claimed is shown in solid lines in the drawings. The broken lines in the drawings are for illustrative purposes only and form no part of the claimed design.

**1 Claim, 8 Drawing Sheets**



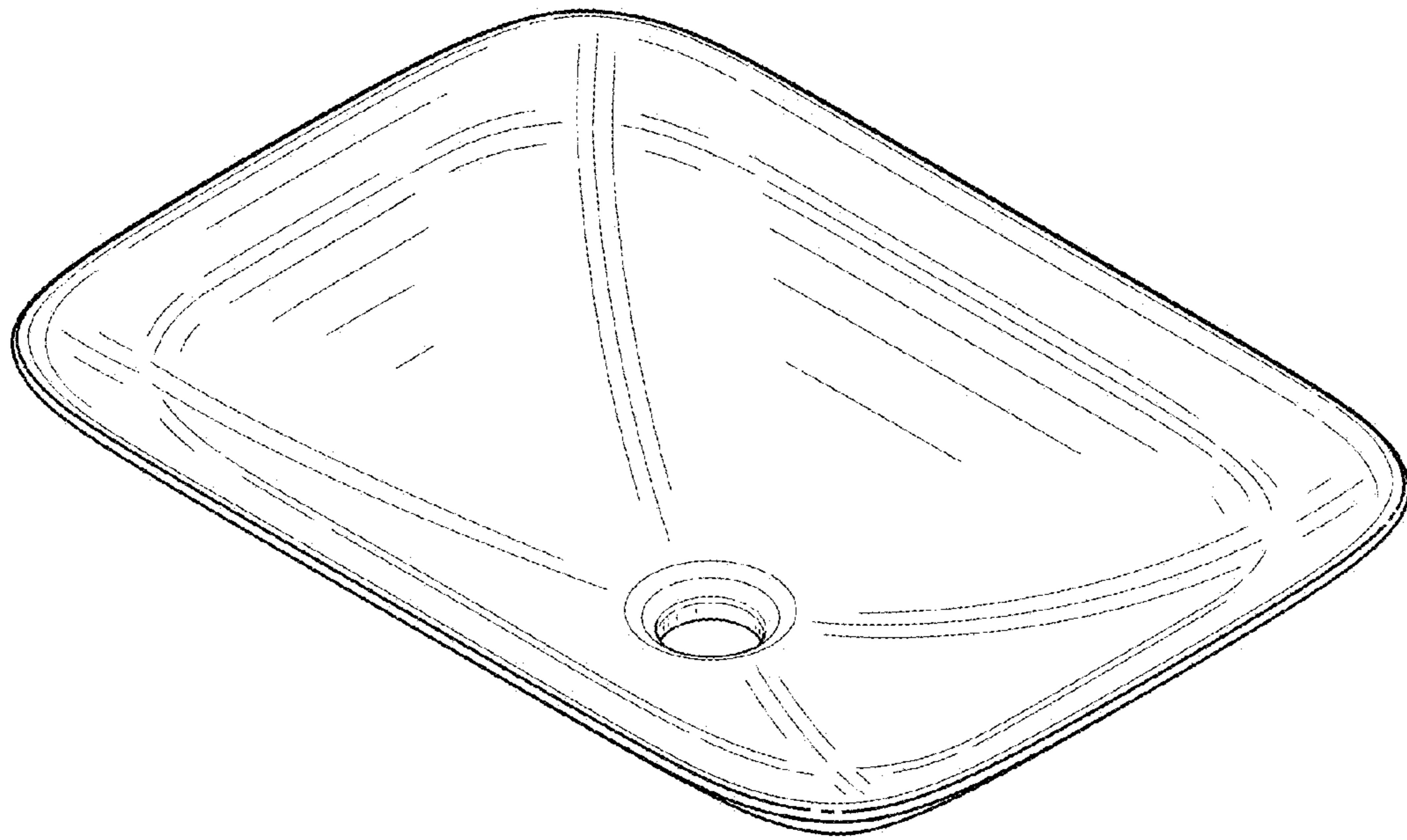


FIG. 1

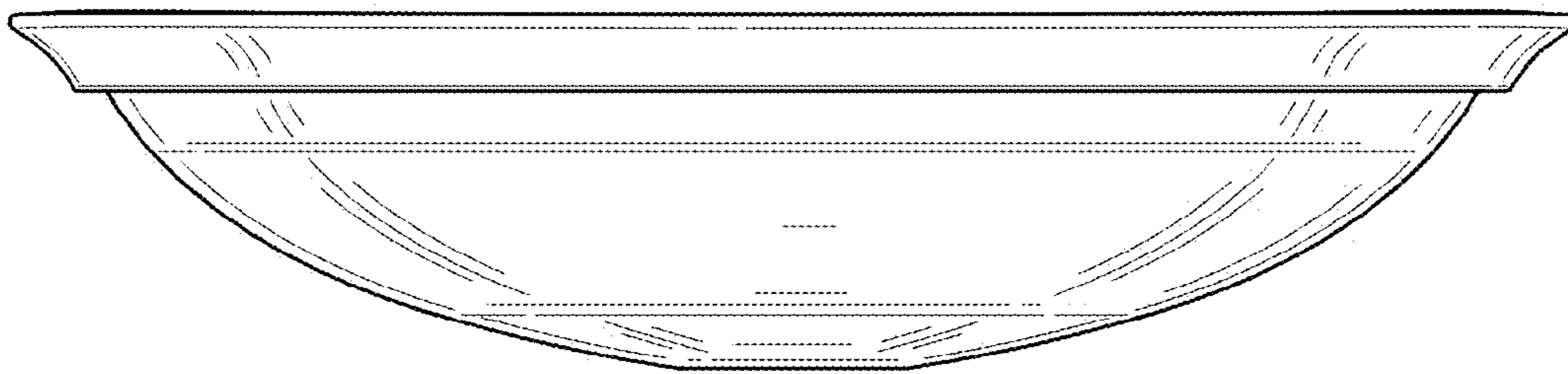


FIG. 2

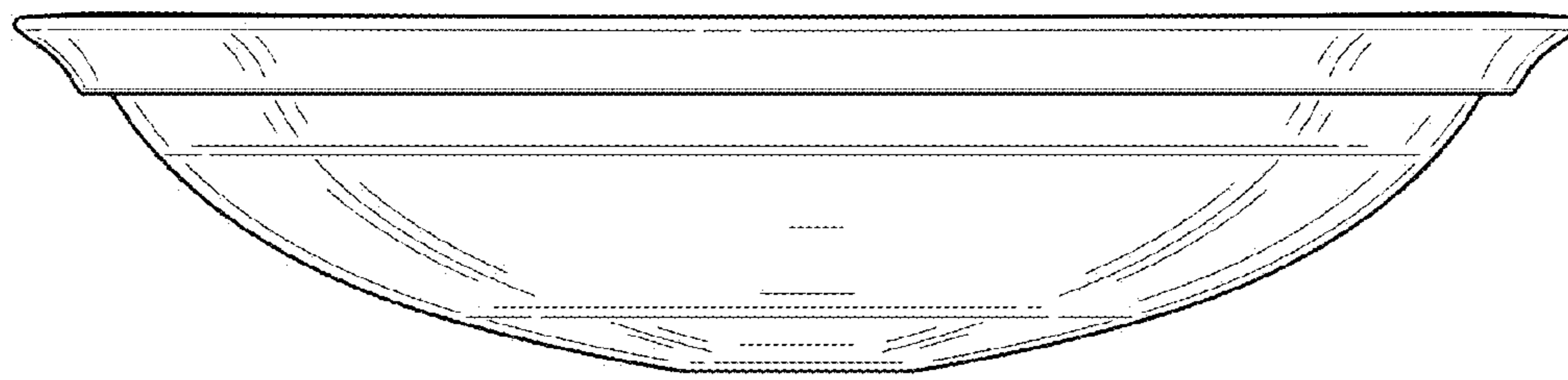


FIG. 3

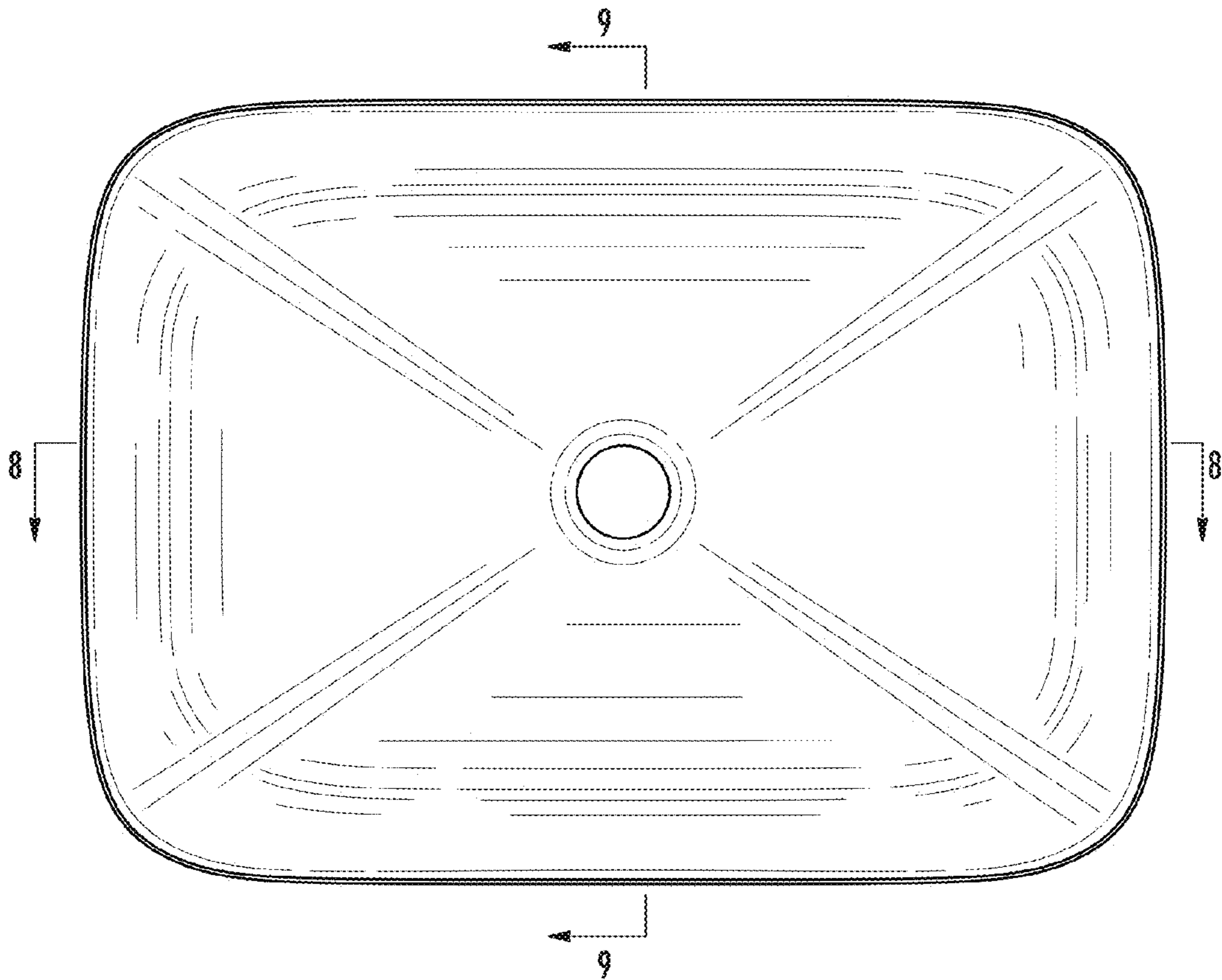


FIG. 4

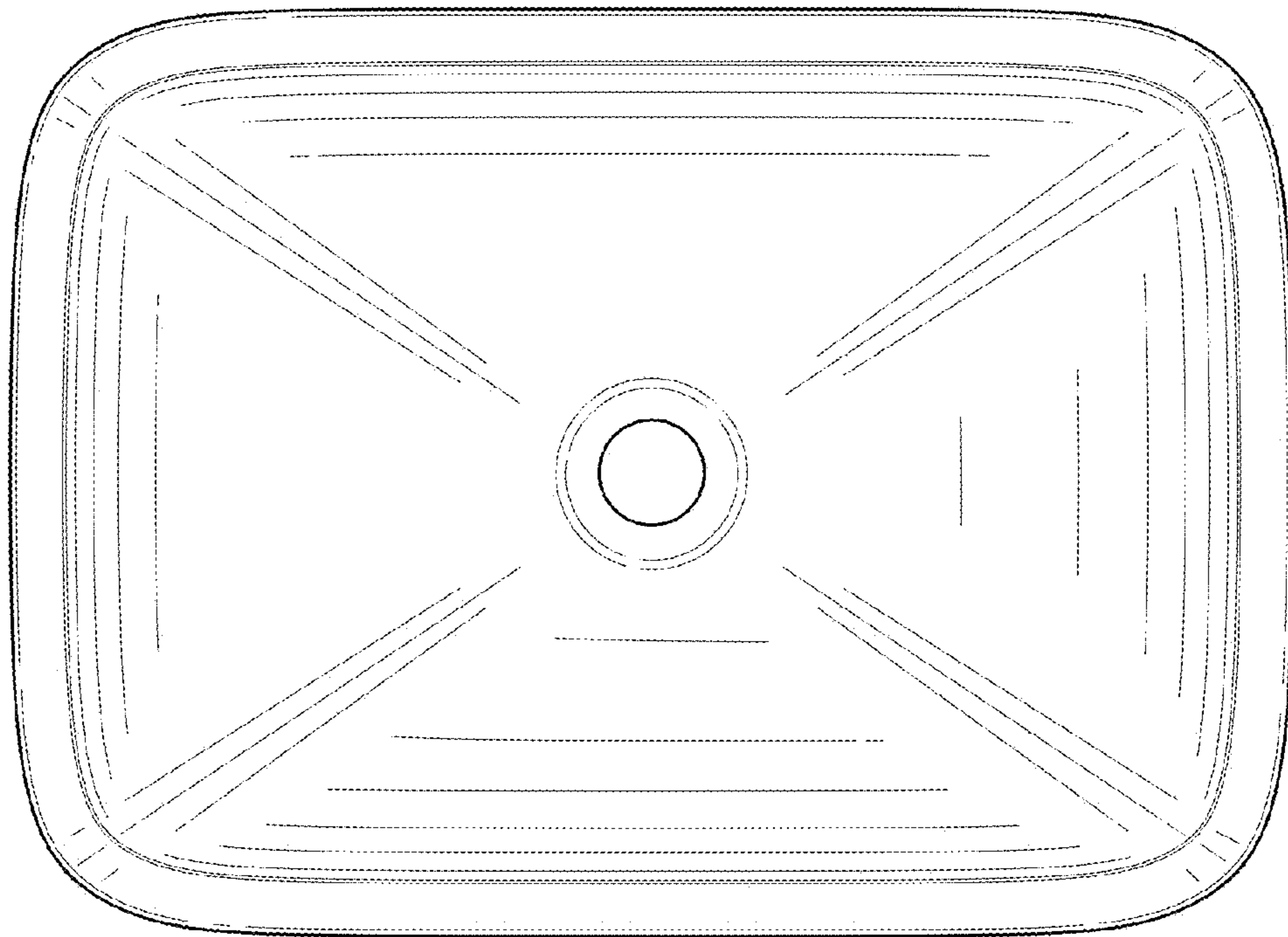


FIG. 5

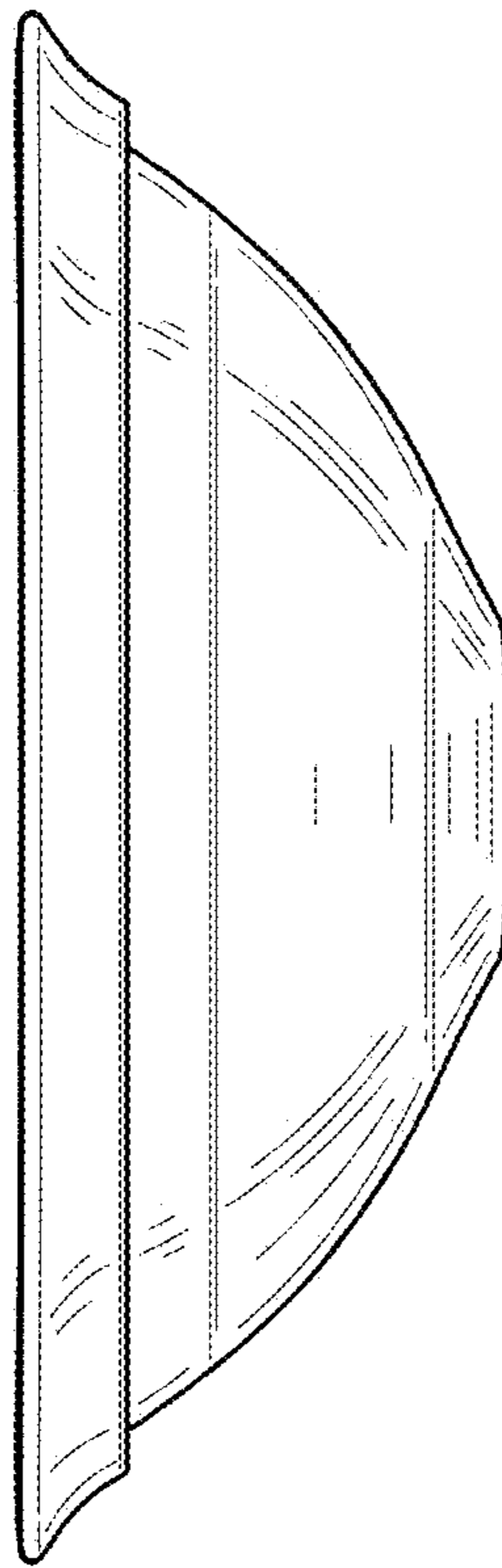
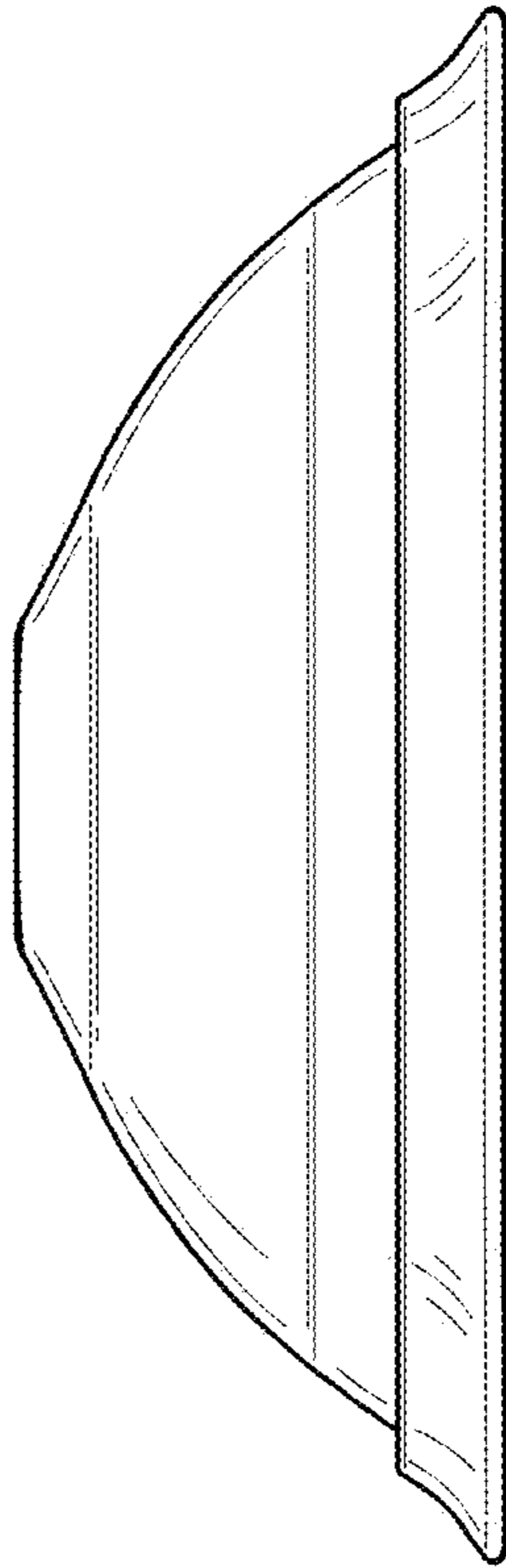


FIG. 6



**FIG. 7**



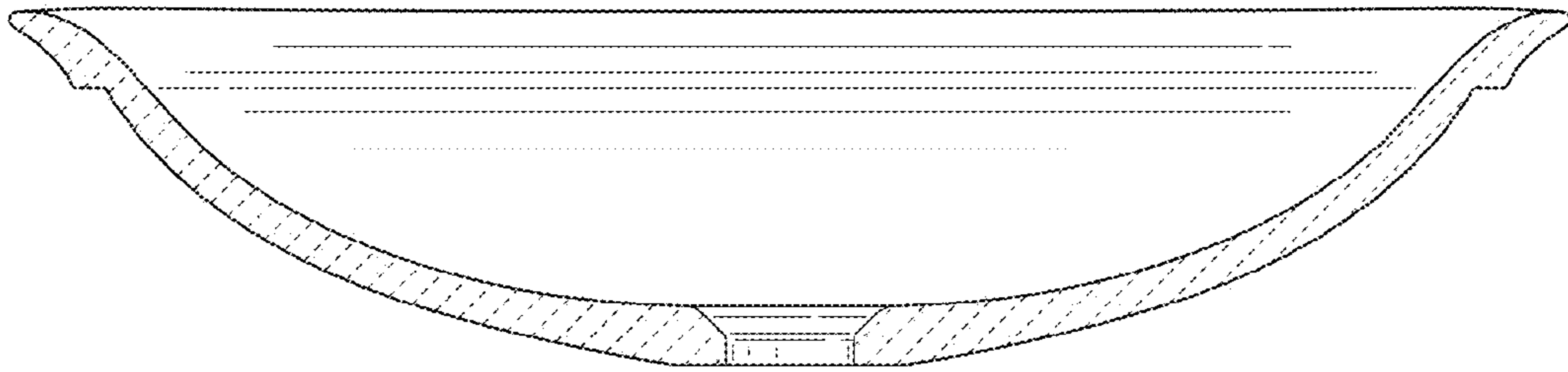


FIG. 8

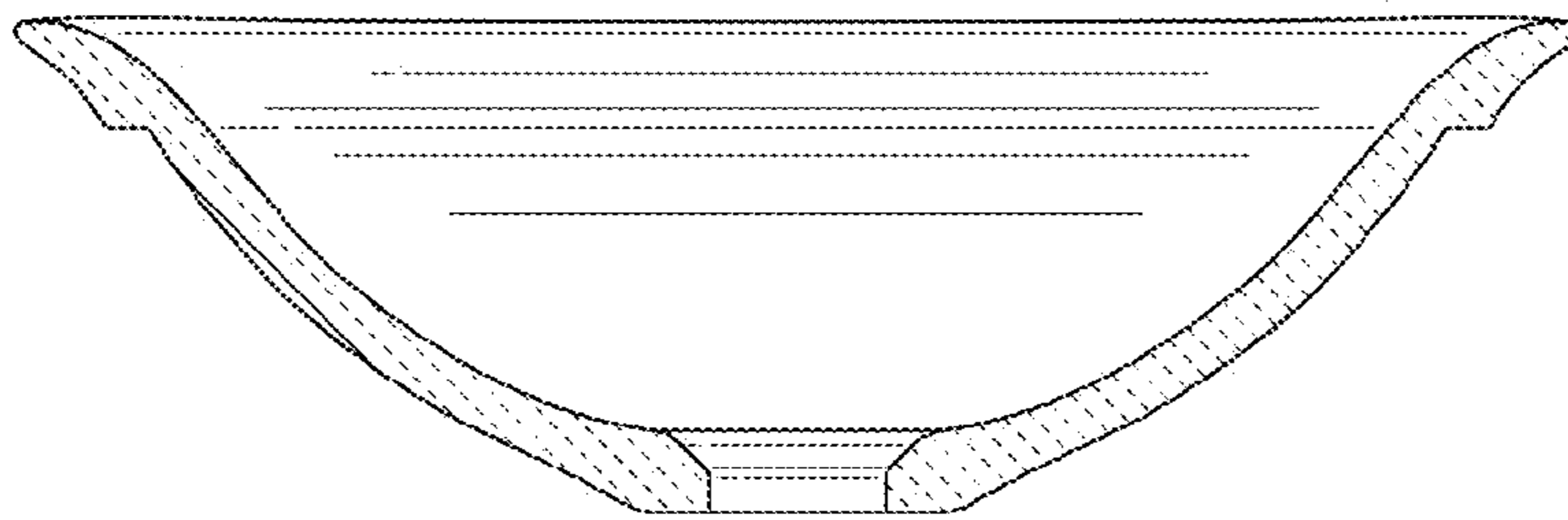


FIG. 9