



US00D687528S

(12) **United States Design Patent**
Meyer

(10) **Patent No.:** **US D687,528 S**

(45) **Date of Patent:** **** Aug. 6, 2013**

(54) **HOSE COUPLING**

(75) Inventor: **Michael Meyer**, Schwaikheim (DE)

(73) Assignee: **Alfred Kaercher GmbH & Co. KG**,
Winnenden (DE)

(**) Term: **14 Years**

(21) Appl. No.: **29/374,966**

(22) Filed: **Nov. 1, 2011**

(30) **Foreign Application Priority Data**

May 3, 2011 (WO) DM/075 923

(51) **LOC (9) Cl.** **23-01**

(52) **U.S. Cl.**
USPC **D23/262**

(58) **Field of Classification Search**
USPC D23/259, 262; 285/245, 246, 249,
285/322, 255; 138/109
See application file for complete search history.

(56) **References Cited**

U.S. PATENT DOCUMENTS

D392,722 S *	3/1998	Kurz	D23/262
D406,881 S *	3/1999	Kuwabara	D23/262
D463,537 S *	9/2002	Kozu et al.	D23/262
D482,761 S *	11/2003	Gotoh et al.	D23/262
D483,096 S *	12/2003	Gotoh et al.	D23/262
D564,076 S *	3/2008	Brockington et al.	D23/262
D575,377 S *	8/2008	Roman	D23/259
D584,802 S *	1/2009	Goodridge	D23/262
D586,433 S *	2/2009	Price et al.	D23/259

D616,969 S *	6/2010	Zore	D23/262
D624,161 S *	9/2010	Zore	D23/262
D627,863 S *	11/2010	Ball	D23/262
D632,764 S *	2/2011	Cheng	D23/262
D634,406 S *	3/2011	Klimas	D23/262
D648,006 S *	11/2011	Morishita	D23/259
2004/0183302 A1 *	9/2004	Allen et al.	285/322

OTHER PUBLICATIONS

Extract from catalog of Alfred Kaercher GmbH & Co. KG, "Programme 2010 Kaercher Home & Garden", cover, pp. 58, 64-66, 71 and last page (Nov. 2009).

* cited by examiner

Primary Examiner — Eric Goodman

(74) *Attorney, Agent, or Firm* — Lipsitz & McAllister, LLC

(57) **CLAIM**

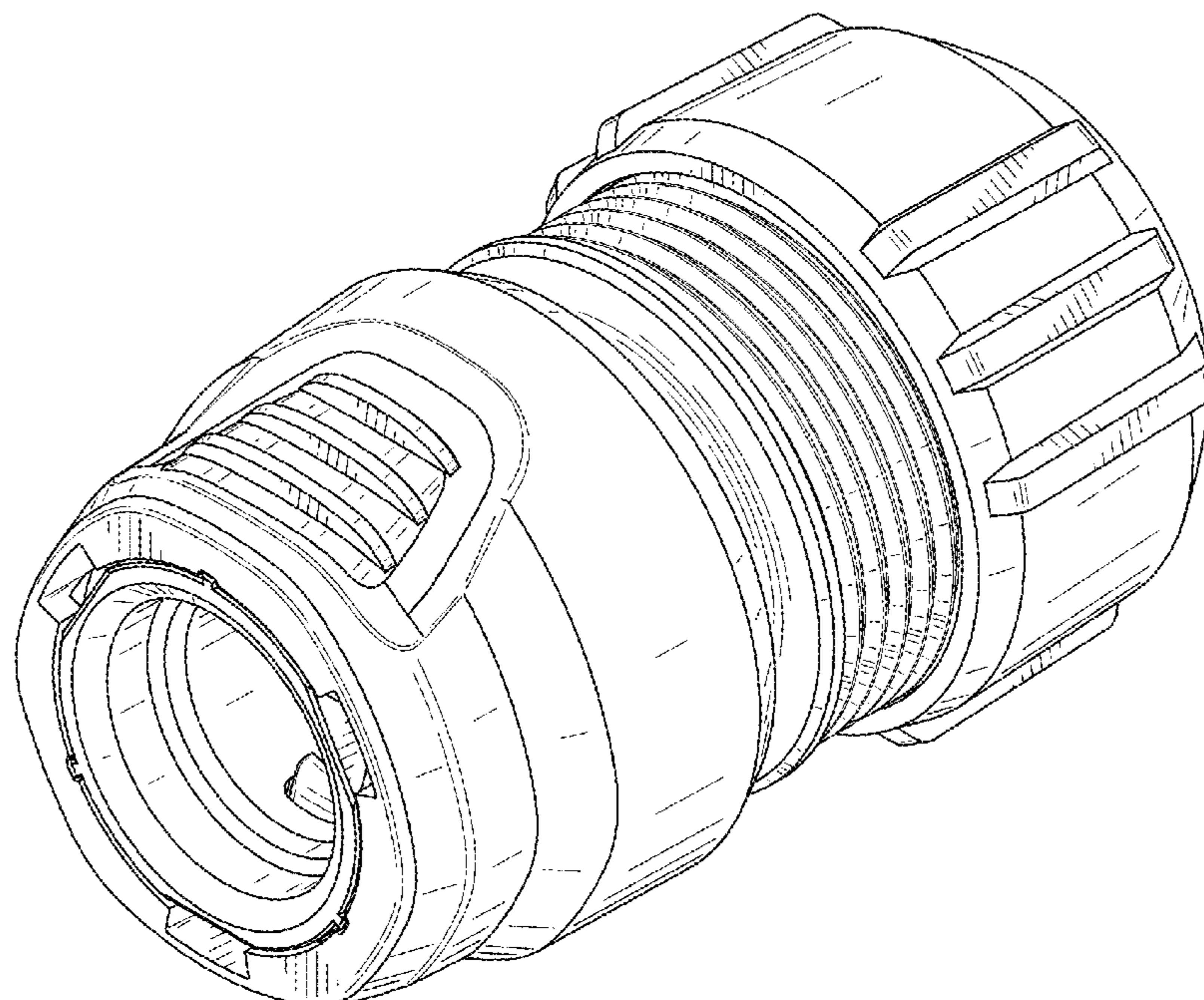
The ornamental design for a hose coupling, as shown and described.

DESCRIPTION

FIG. 1 is a front, top and left side perspective view of a hose coupling showing my new design;
FIG. 2 is a front, top and right side perspective view thereof;
FIG. 3 is a front elevational view thereof;
FIG. 4 is a left side elevational view thereof;
FIG. 5 is a rear elevational view thereof;
FIG. 6 is a right side elevational view thereof; and,
FIG. 7 is a top plan view thereof.

The broken line showing of various elements in the drawings is for the purpose of illustrating interior portions of the device and forms no part of the claimed design.

1 Claim, 7 Drawing Sheets



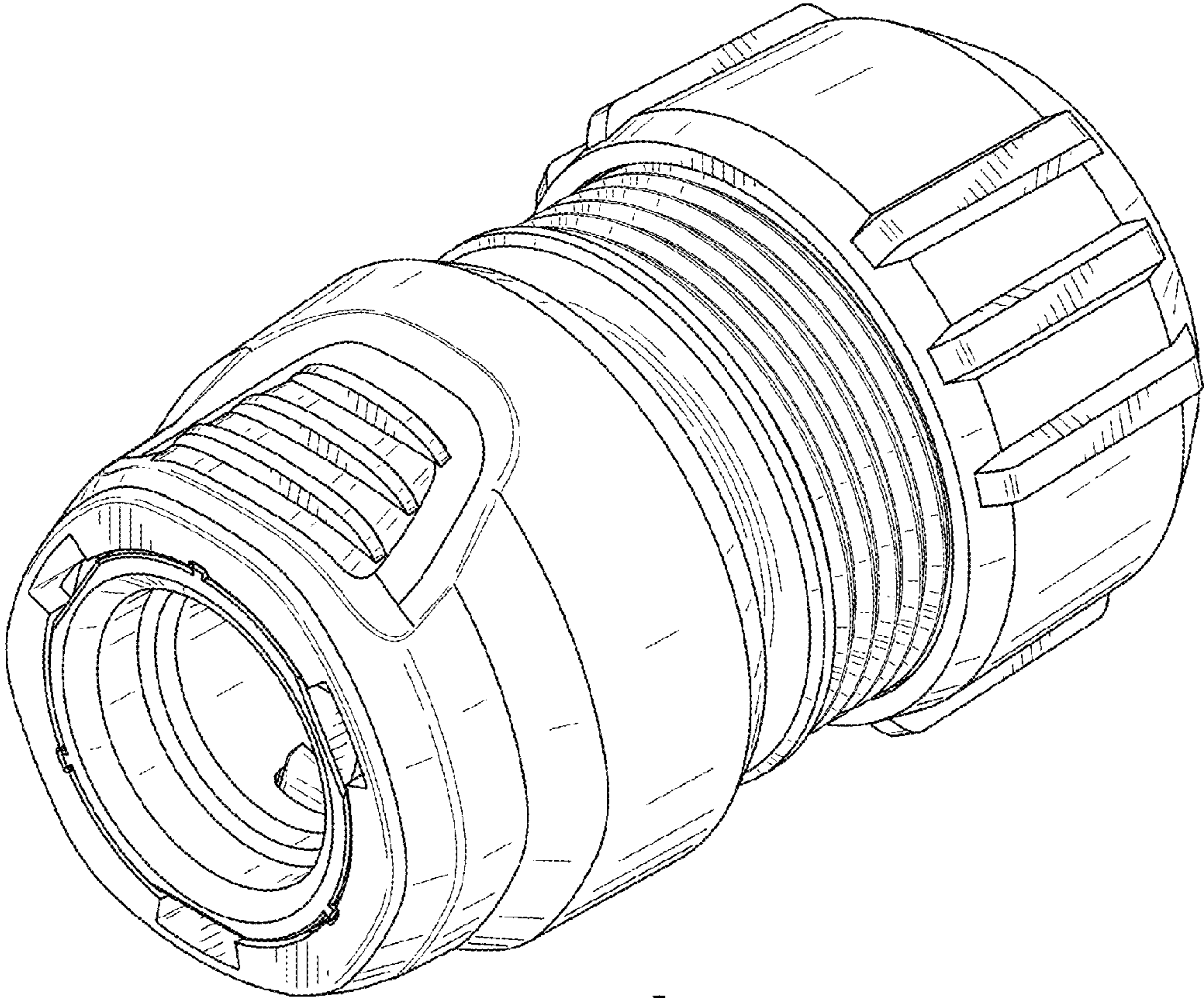


FIG. 1

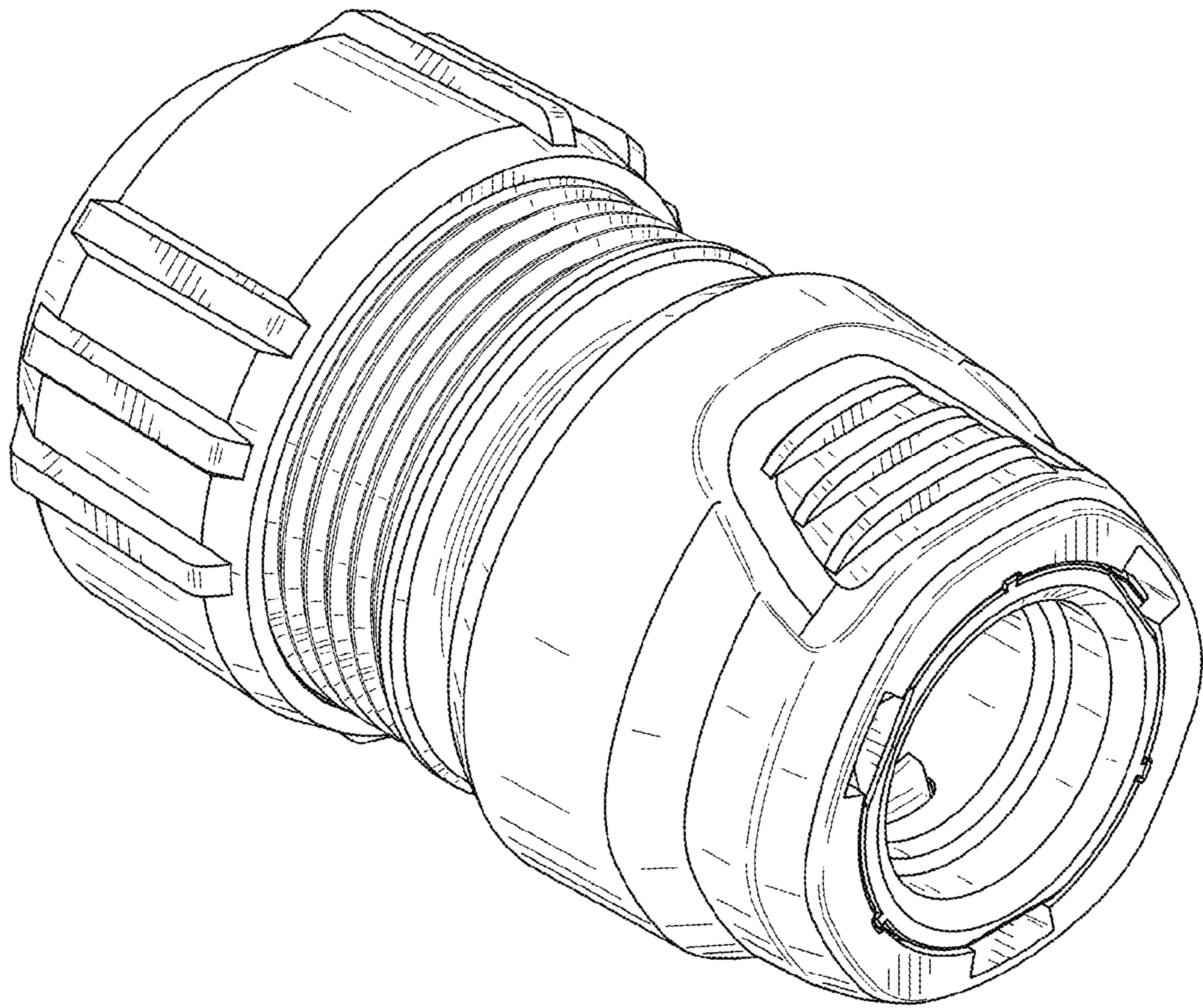


FIG. 2

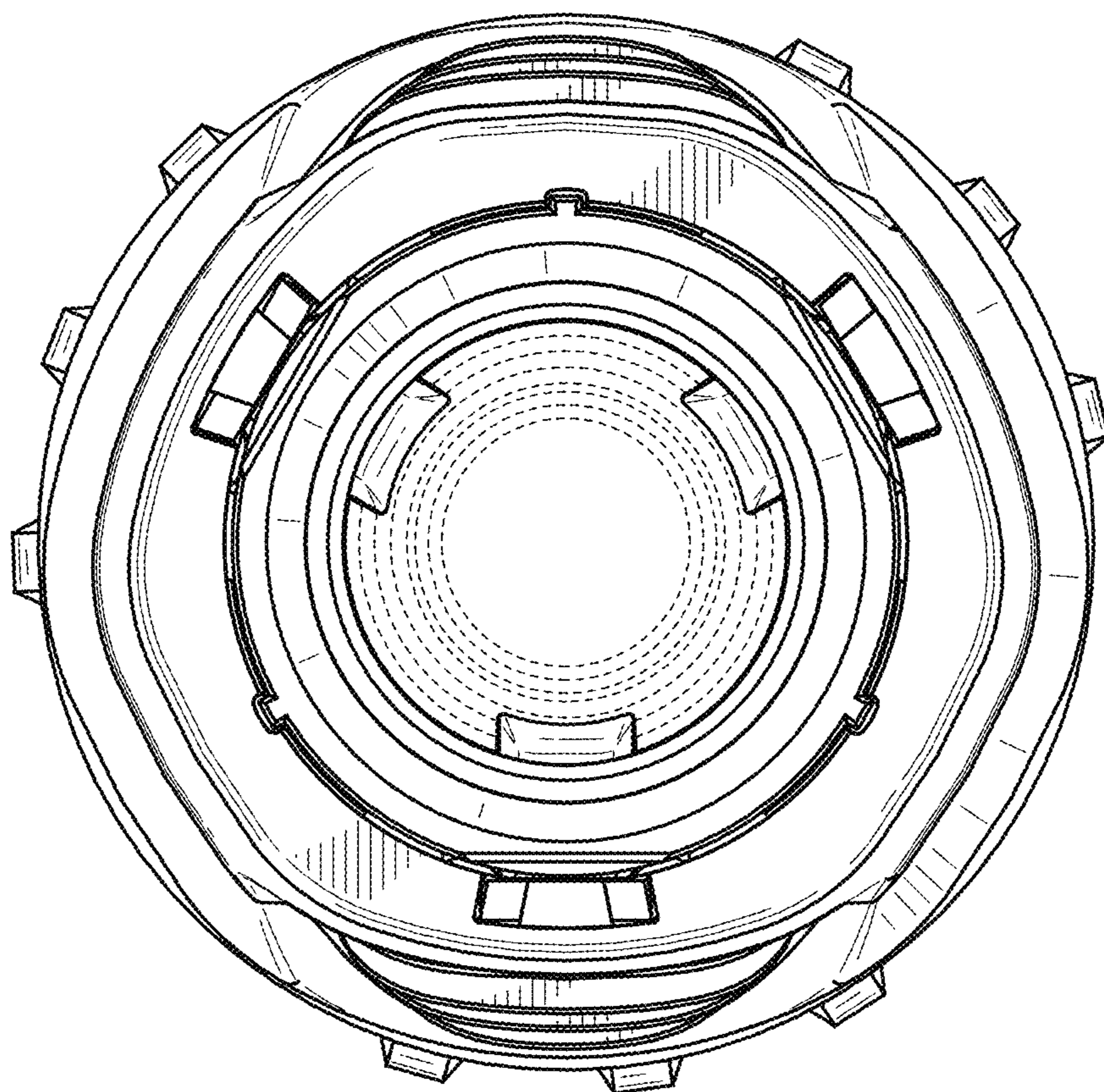


FIG. 3

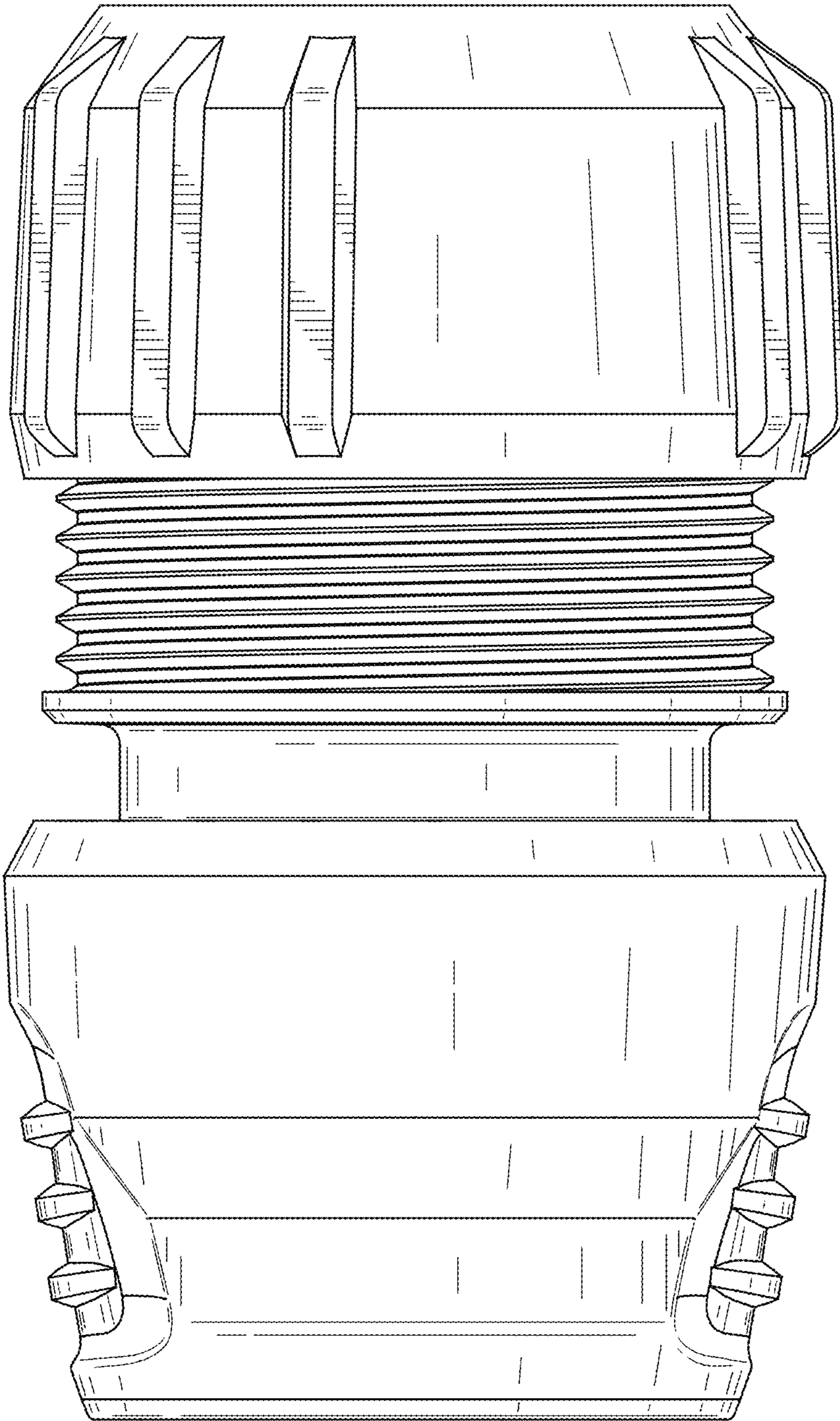


FIG. 4

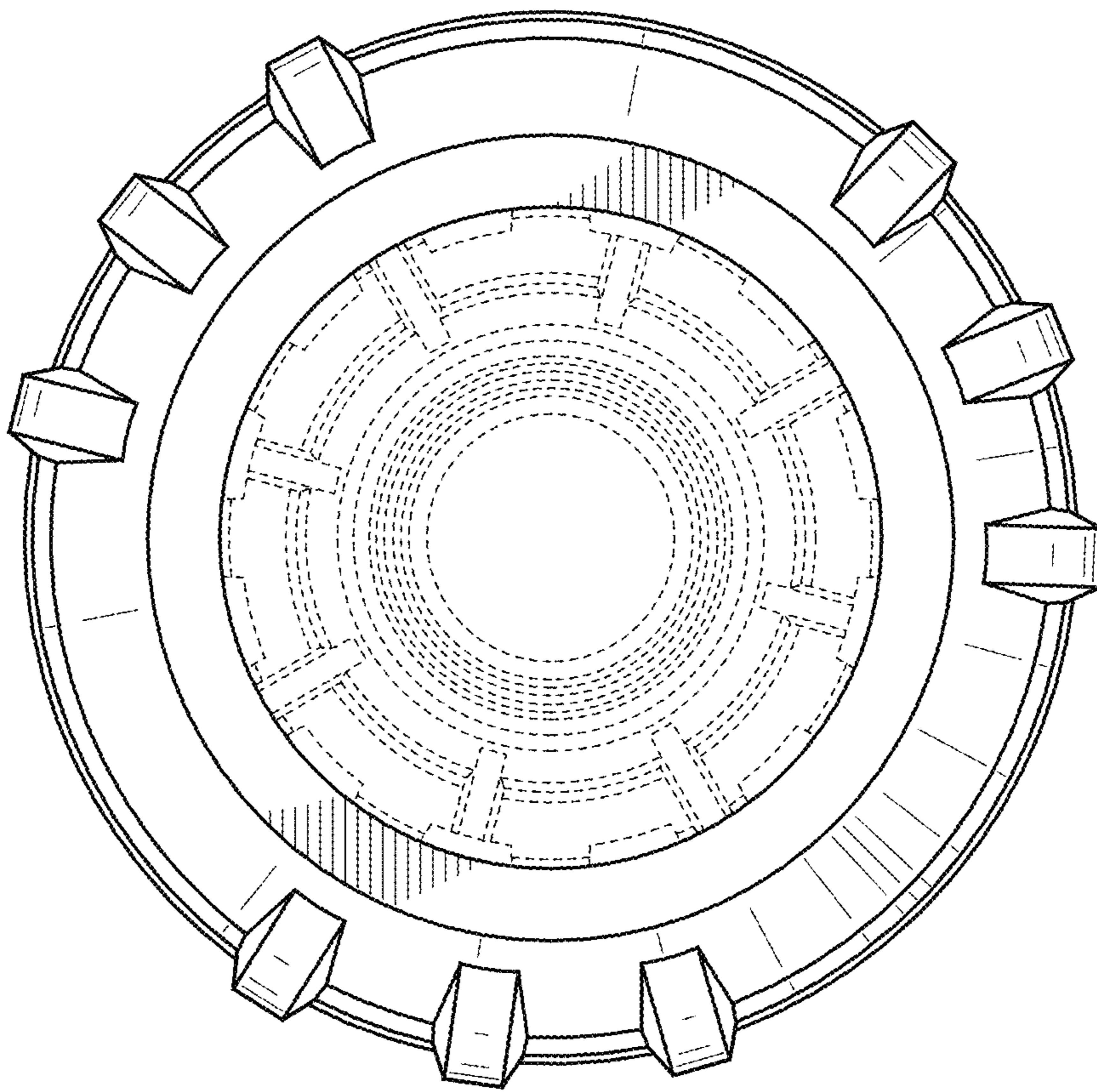


FIG. 5

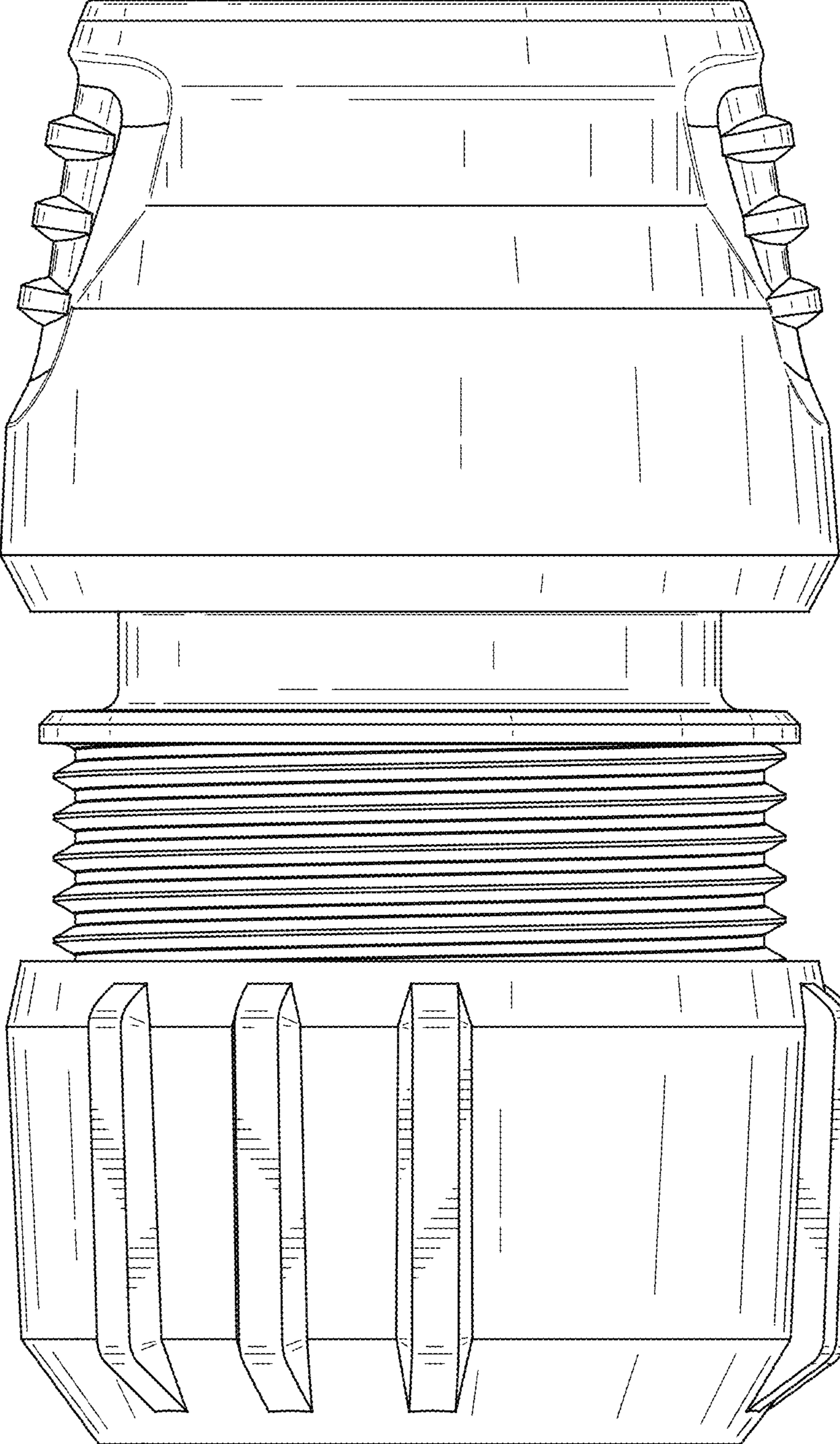


FIG. 6

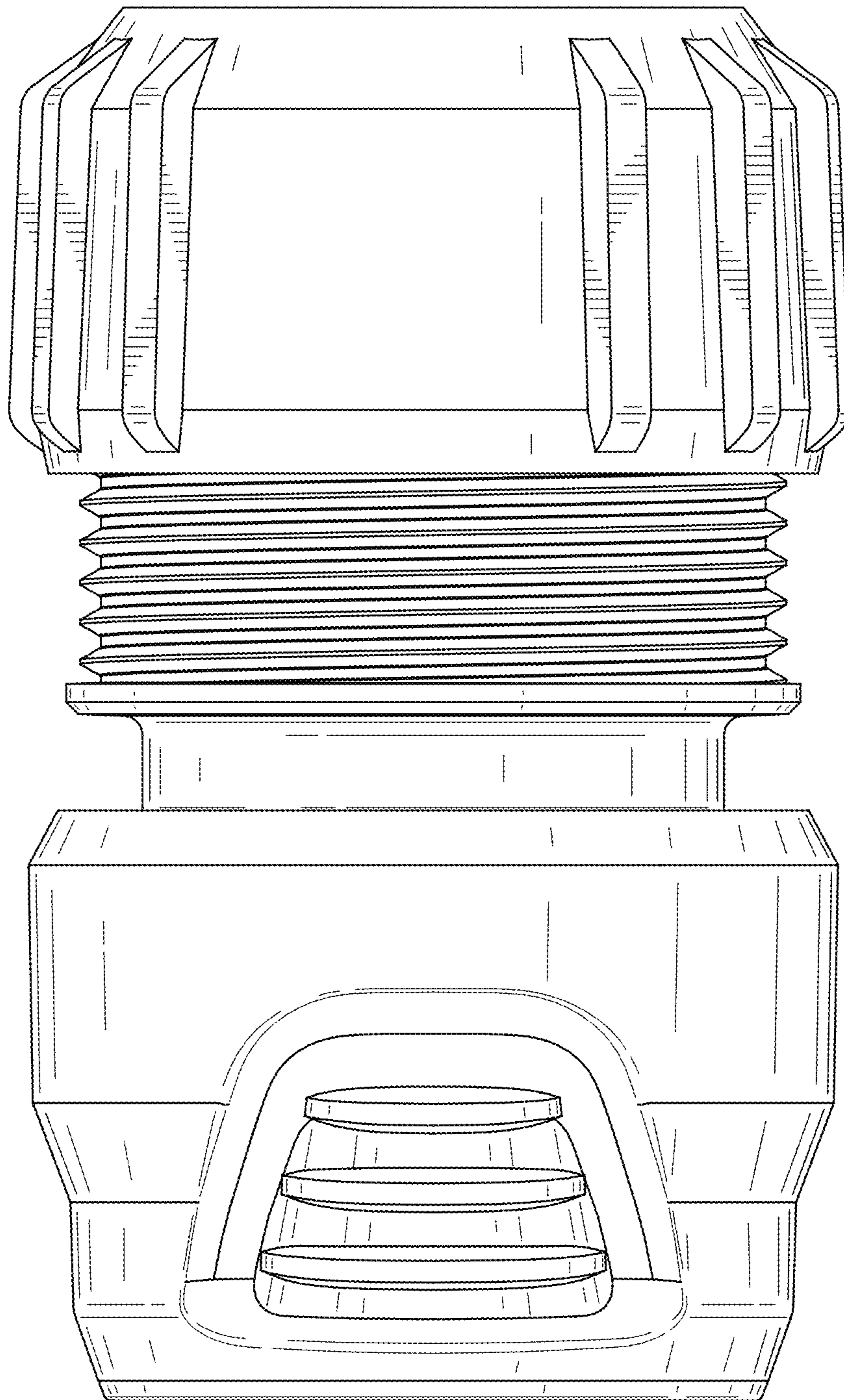


FIG. 7