



US00D687523S

(12) **United States Design Patent**
Garland

(10) **Patent No.:** **US D687,523 S**

(45) **Date of Patent:** **** Aug. 6, 2013**

(54) **FAUCET SPOUT**

(71) Applicant: **Masco Corporation of Indiana,**
Indianapolis, IN (US)

(72) Inventor: **Celine Kwok Garland,** Indianapolis, IN
(US)

(73) Assignee: **Masco Corporation of Indiana,**
Indianapolis, IN (US)

(**) Term: **14 Years**

(21) Appl. No.: **29/444,647**

(22) Filed: **Feb. 1, 2013**

(51) **LOC (9) Cl.** **23-01**

(52) **U.S. Cl.**
USPC **D23/257**

(58) **Field of Classification Search**
USPC D23/238–242, 255, 257; 4/675–678;
137/801

See application file for complete search history.

(56) **References Cited**

U.S. PATENT DOCUMENTS

D490,503 S * 5/2004 Fraser et al. D23/255
D572,346 S * 7/2008 Painter D23/242

D608,420 S * 1/2010 Kohler et al. D23/255
D623,725 S * 9/2010 Bouroullec et al. D23/254
D646,758 S * 10/2011 Gessi D23/238
D673,651 S * 1/2013 Uhl D23/238
D677,761 S * 3/2013 Lord D23/255

* cited by examiner

Primary Examiner — Robert Delehanty

(74) *Attorney, Agent, or Firm* — Edgar A. Zarins; Nirav D. Parikh

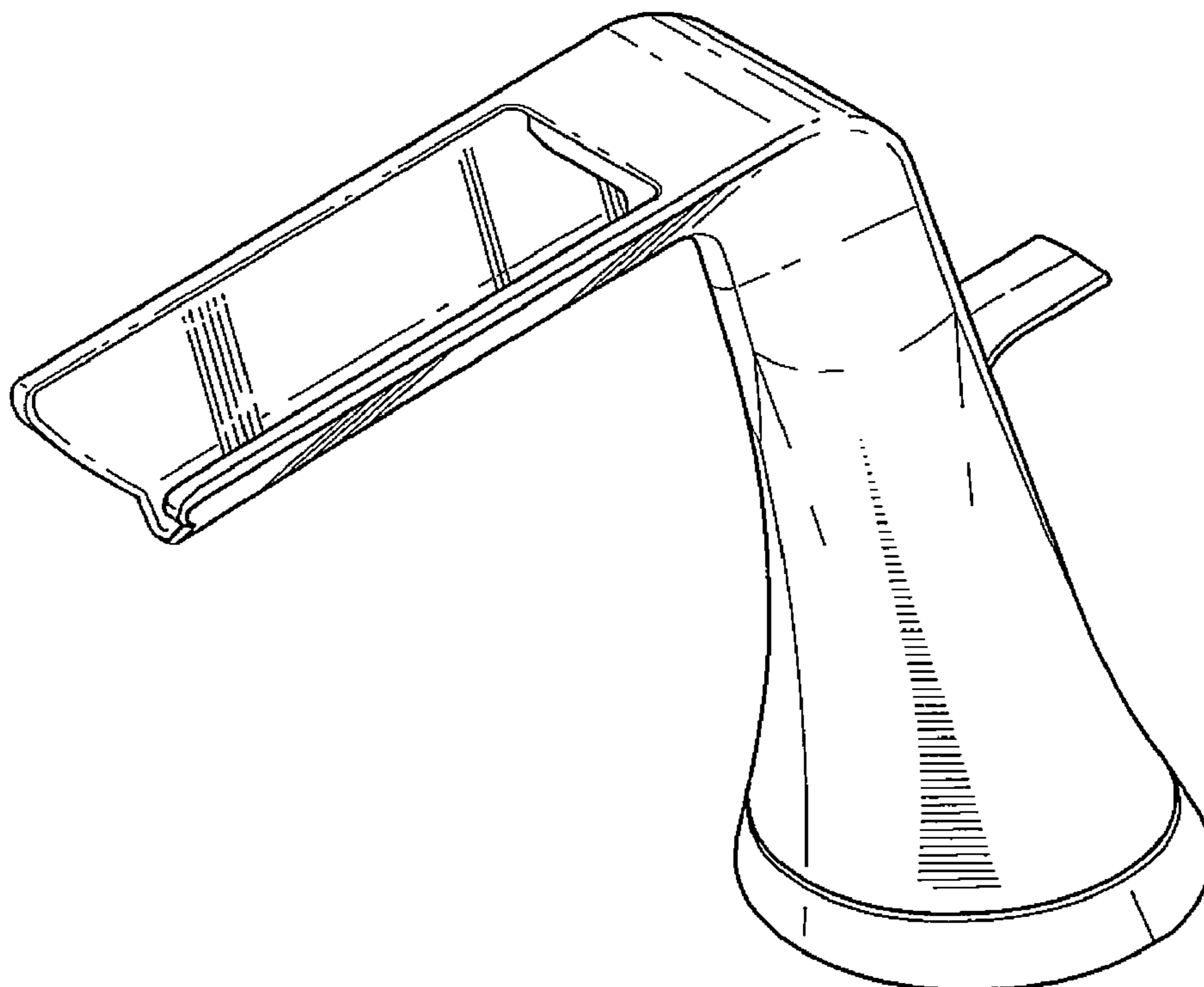
(57) **CLAIM**

The ornamental design for a faucet spout, as shown and described.

DESCRIPTION

FIG. 1 is a perspective view of a faucet spout showing my new design;
FIG. 2 is an enlarged partial perspective view thereof;
FIG. 3 is a top plan view thereof;
FIG. 4 is a bottom view thereof;
FIG. 5 is a rear view thereof;
FIG. 6 is a right side view thereof, the opposite side being a mirror image of the side shown; and,
FIG. 7 is a front elevational view thereof.

1 Claim, 2 Drawing Sheets



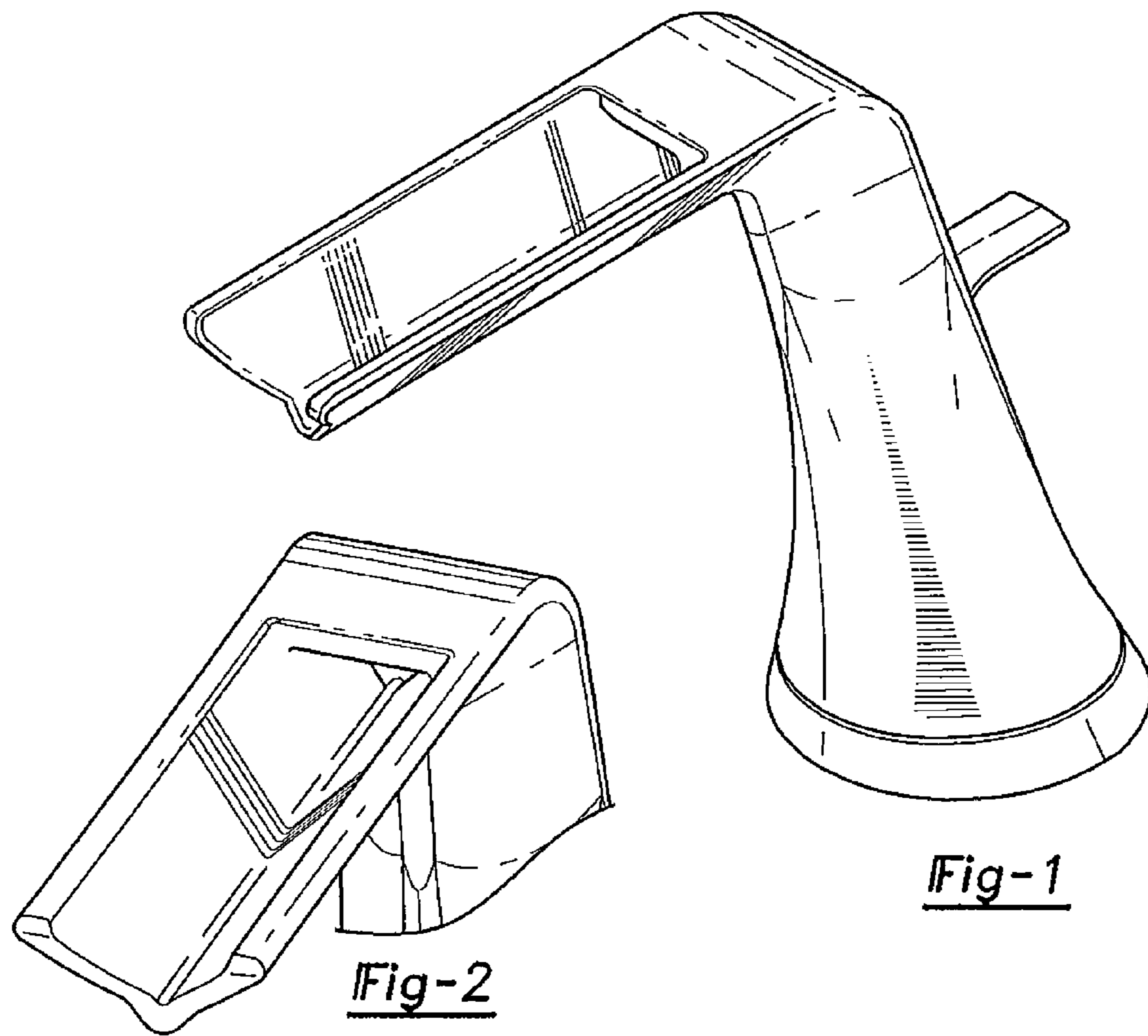


Fig-1

Fig-2

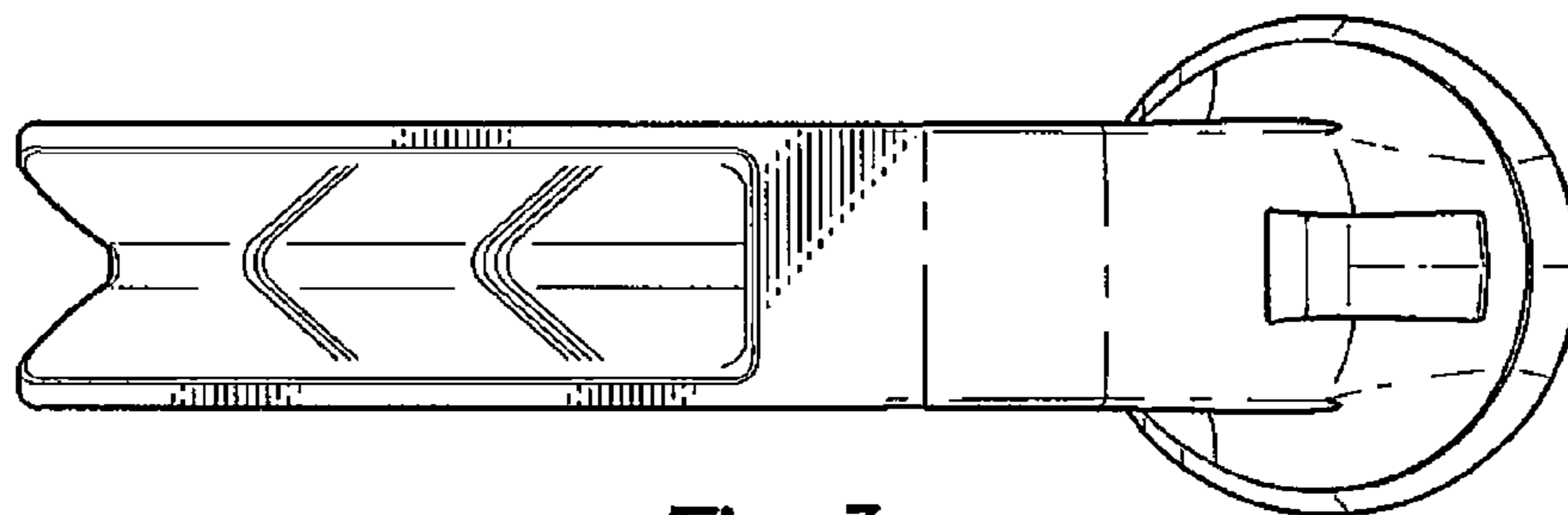


Fig-3

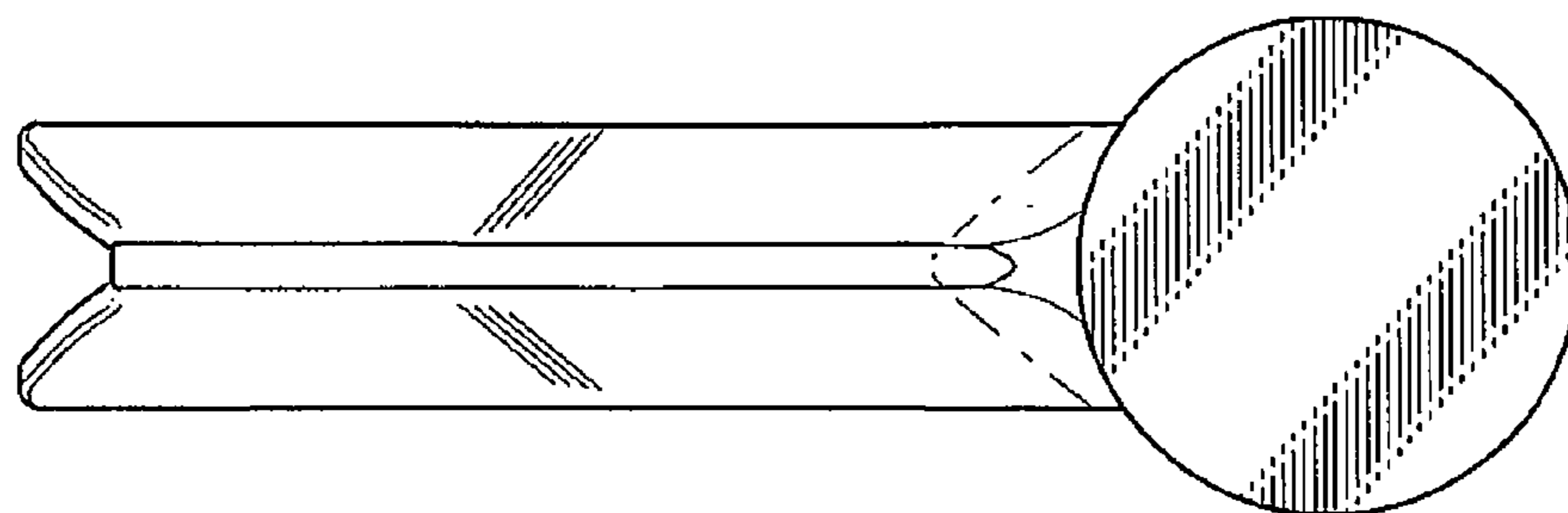


Fig-4

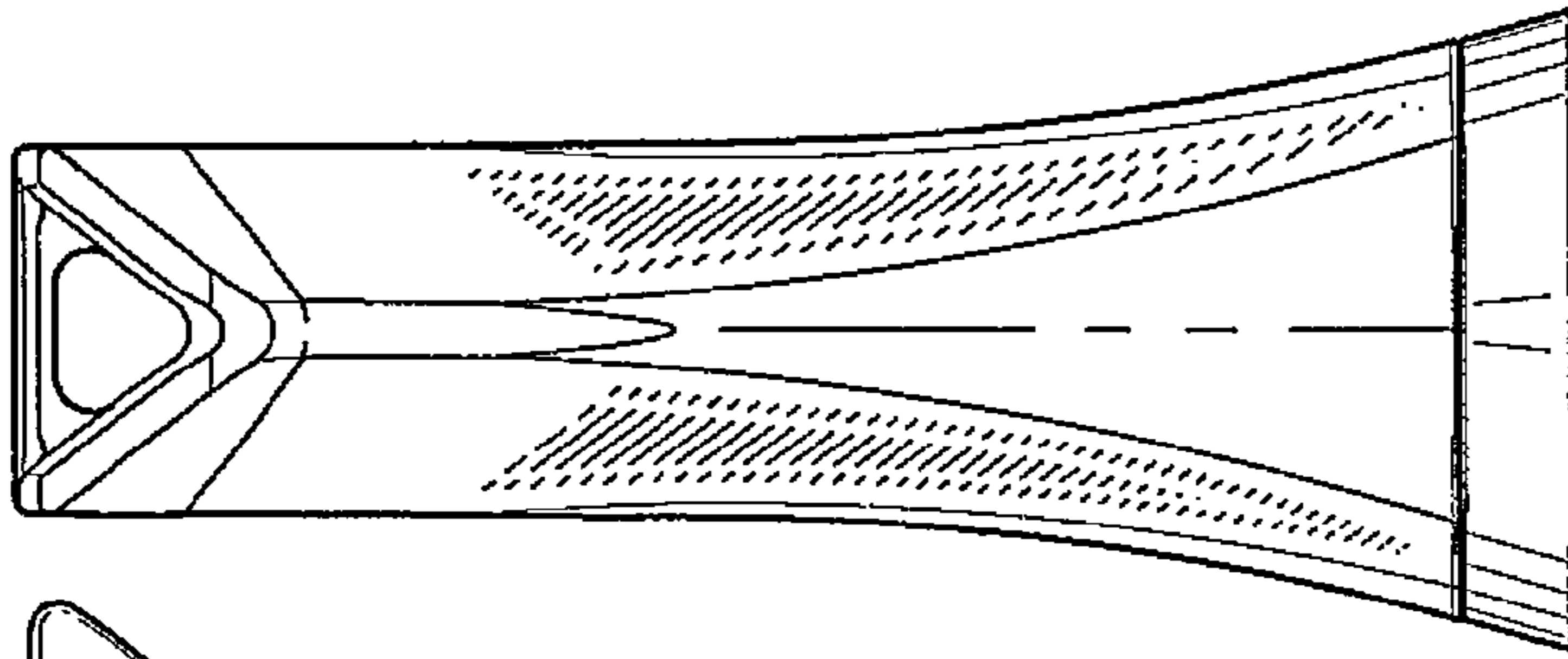


Fig-7

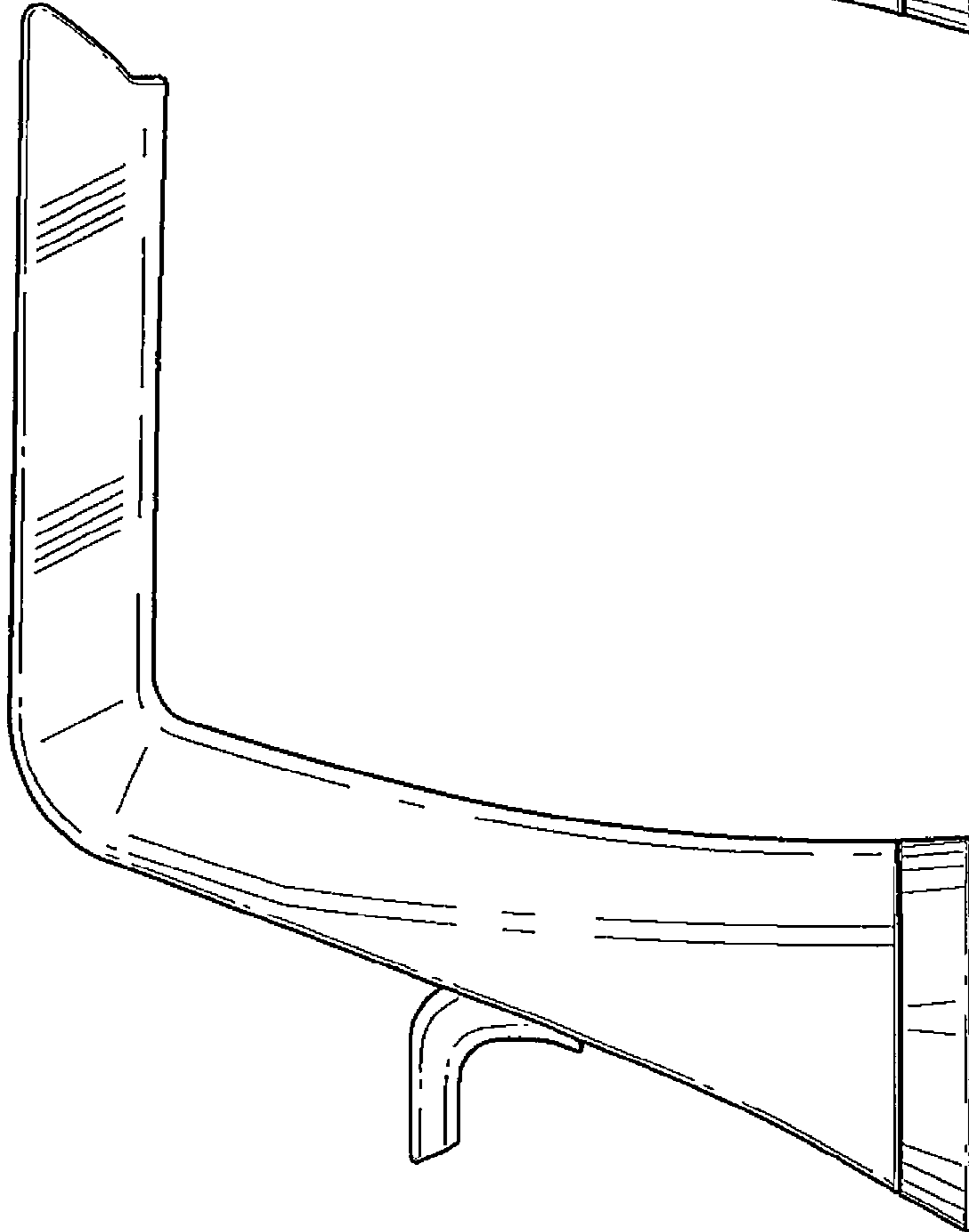


Fig-6

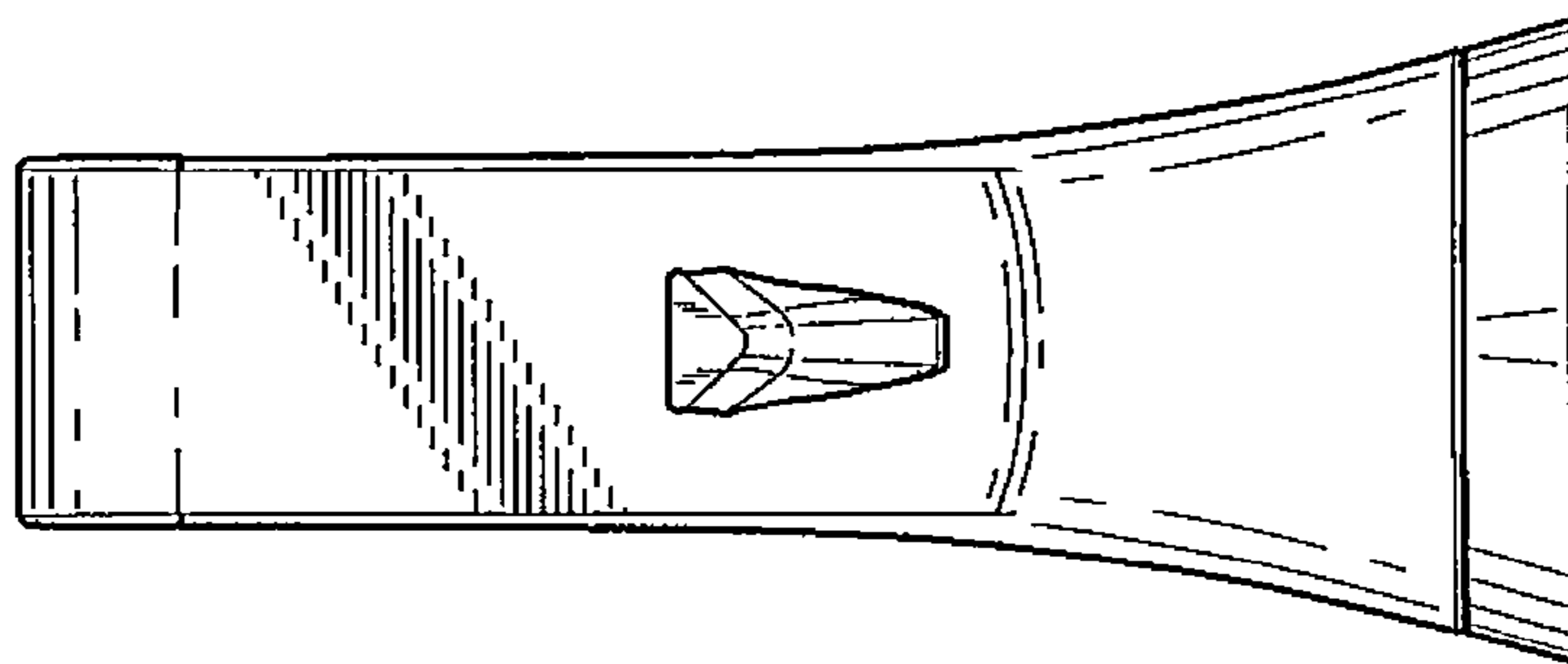


Fig-5