



US00D687522S

(12) **United States Design Patent**
Flowers et al.

(10) **Patent No.:** **US D687,522 S**
(45) **Date of Patent:** **** Aug. 6, 2013**

(54) **SPOUT**

(71) Applicant: **Grohe AG**, Hemer (DE)

(72) Inventors: **Paul Flowers**, Duesseldorf (DE); **Jochen Allard**, Menden (DE)

(73) Assignee: **Grohe AG**, Hemer (DE)

(**) Term: **14 Years**

(21) Appl. No.: **29/436,241**

(22) Filed: **Nov. 2, 2012**

(30) **Foreign Application Priority Data**

May 2, 2012 (EM) 002036111-0022

(51) **LOC (9) Cl.** **23-01**

(52) **U.S. Cl.**
USPC **D23/255**

(58) **Field of Classification Search**
USPC D23/238-242, 255; 4/675-678; 137/801
See application file for complete search history.

(56) **References Cited**

U.S. PATENT DOCUMENTS

D442,266	S	*	5/2001	Marinov et al.	D23/255
D463,536	S	*	9/2002	Lord	D23/255
D467,321	S	*	12/2002	Otero et al.	D23/257
D477,059	S	*	7/2003	Schonherr et al.	D23/255

* cited by examiner

Primary Examiner — Robert Delehanty

(74) *Attorney, Agent, or Firm* — Muncy, Geissler, Olds & Lowe, PLLC

(57) **CLAIM**

The ornamental design for a spout, as shown and described.

DESCRIPTION

FIG. 1 is a left side elevational view of a spout of the present invention.

FIG. 2 is a right side elevational view of the spout of FIG. 1.

FIG. 3 is a front elevational view of the spout of FIG. 1.

FIG. 4 is a rear elevational view of the spout of FIG. 1.

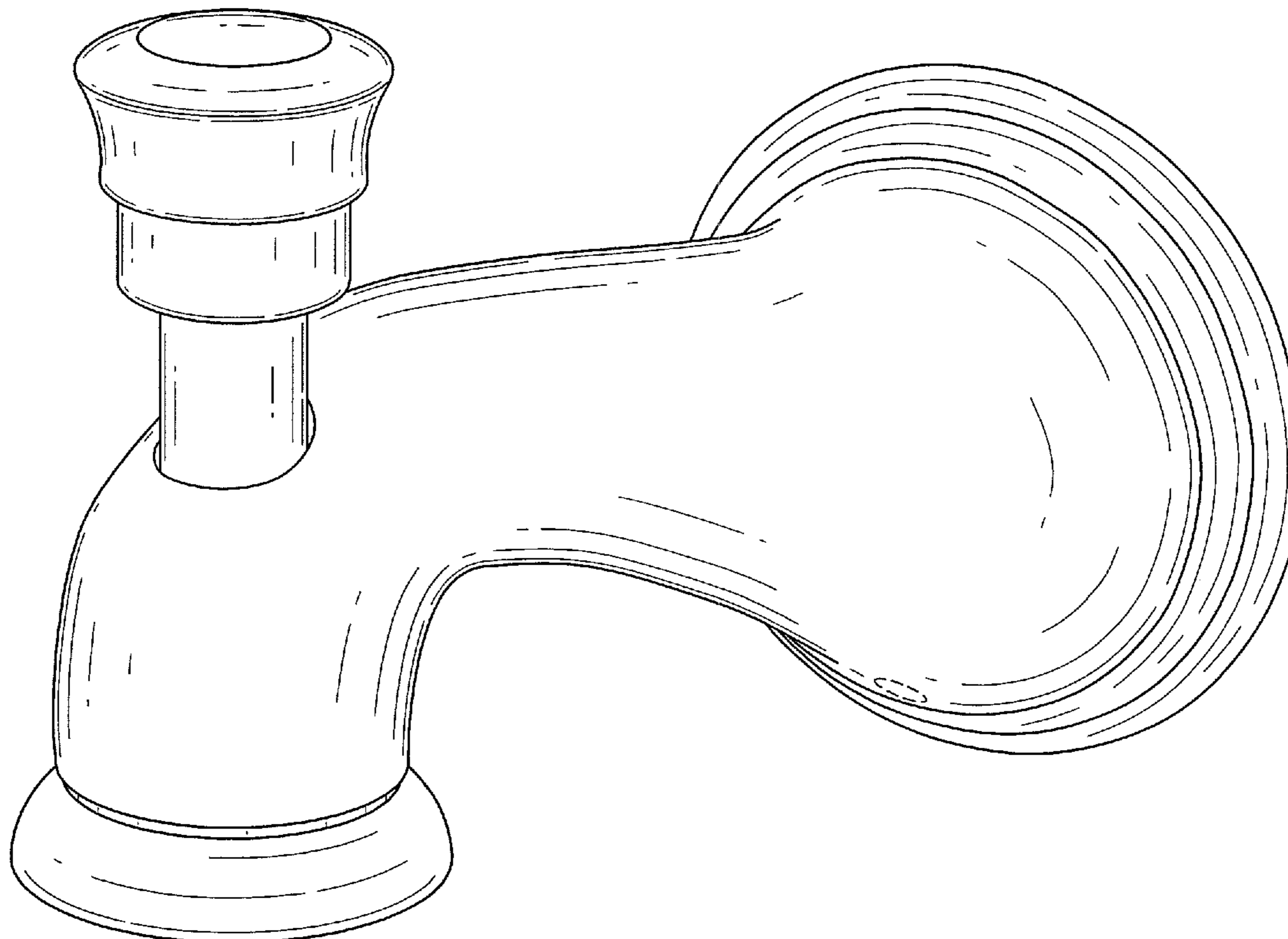
FIG. 5 is a top plan view of the spout of FIG. 1.

FIG. 6 is a bottom plan view of the spout of FIG. 1; and,

FIG. 7 is a perspective view of the spout of FIG. 1.

The dashed lines illustrate environment that does not form a part of the present invention, and no claim is made to the material illustrated with dashed lines.

1 Claim, 7 Drawing Sheets



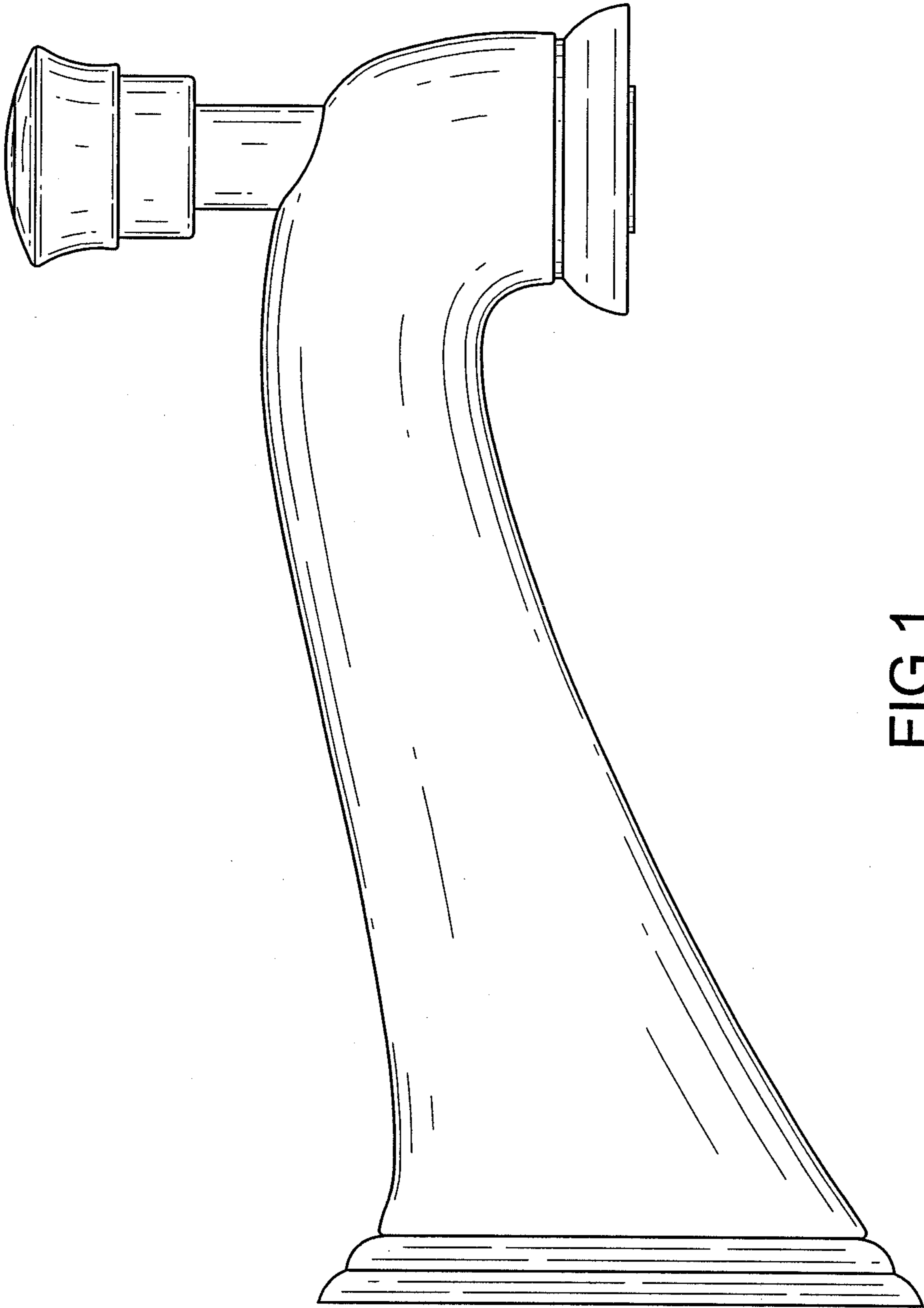


FIG. 1

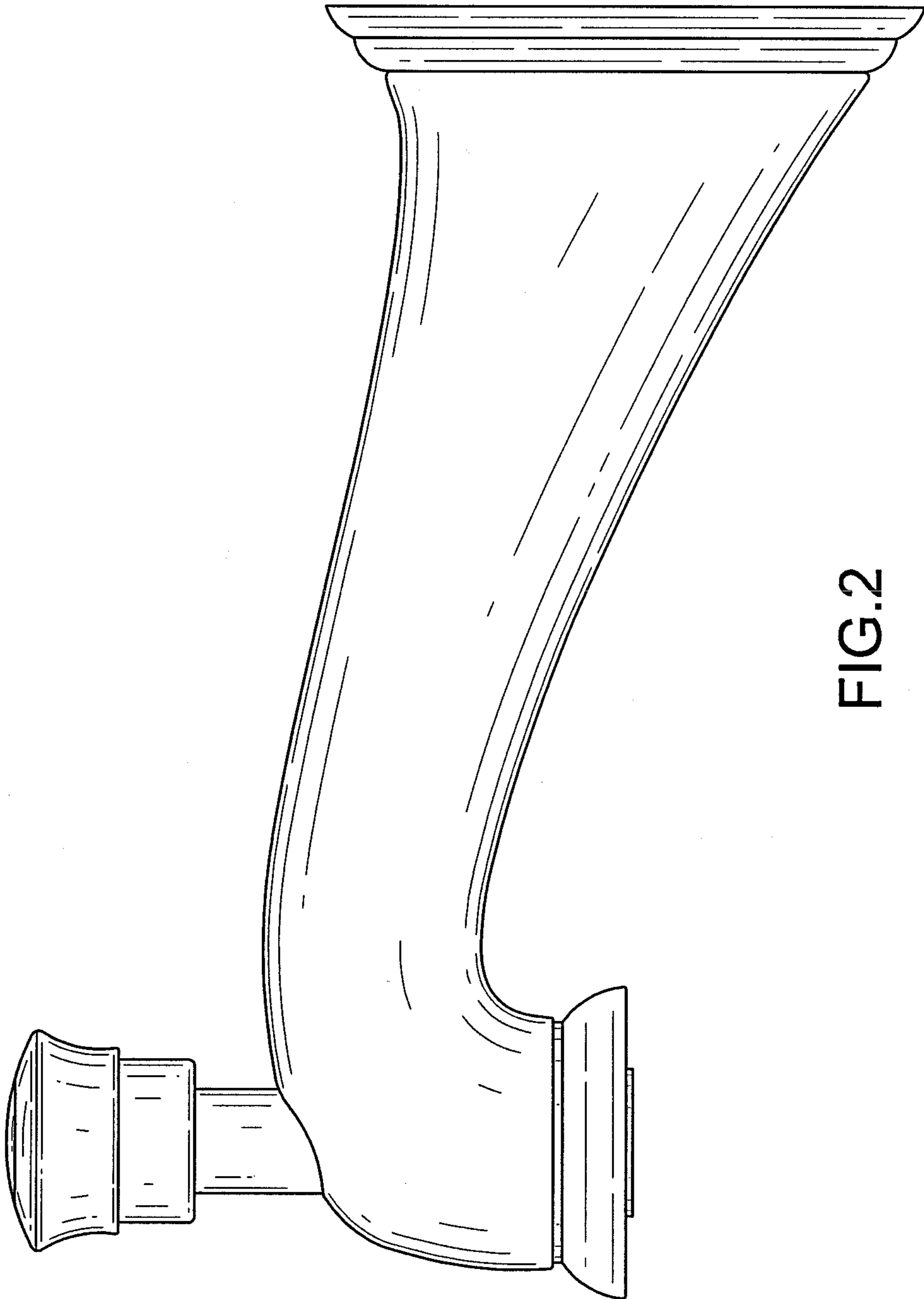


FIG.2

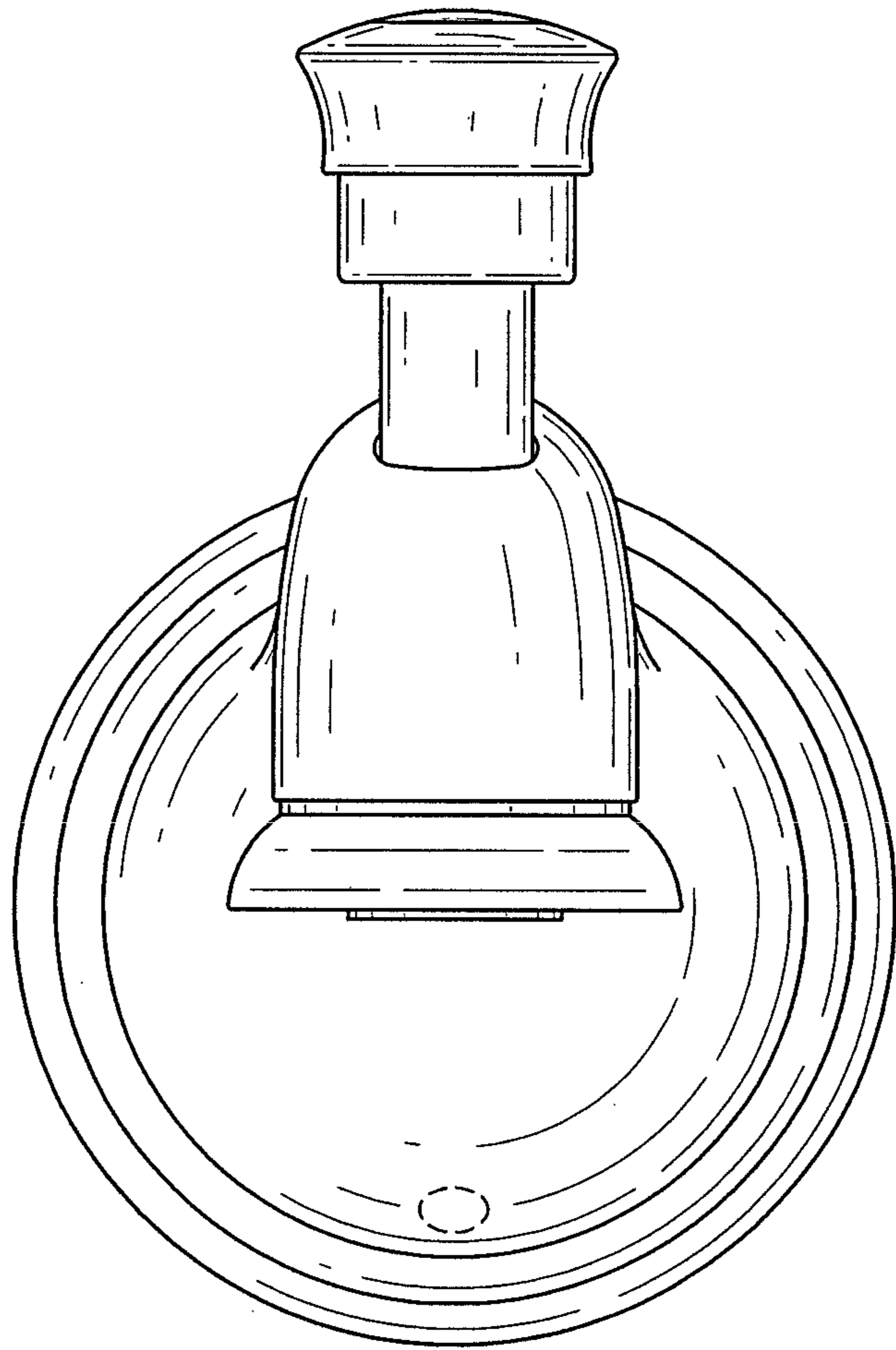


FIG.3

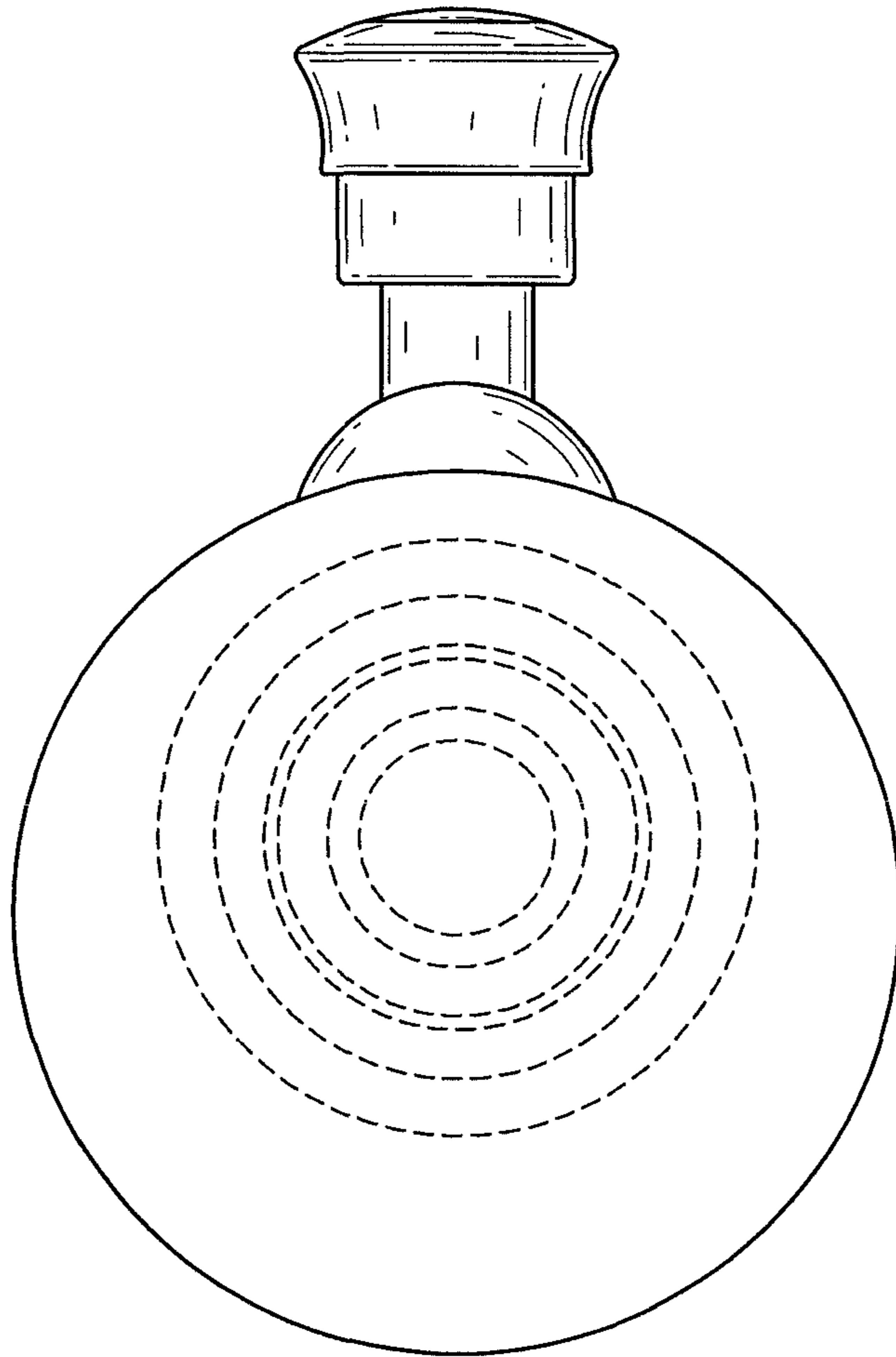


FIG.4



FIG.5



FIG.6

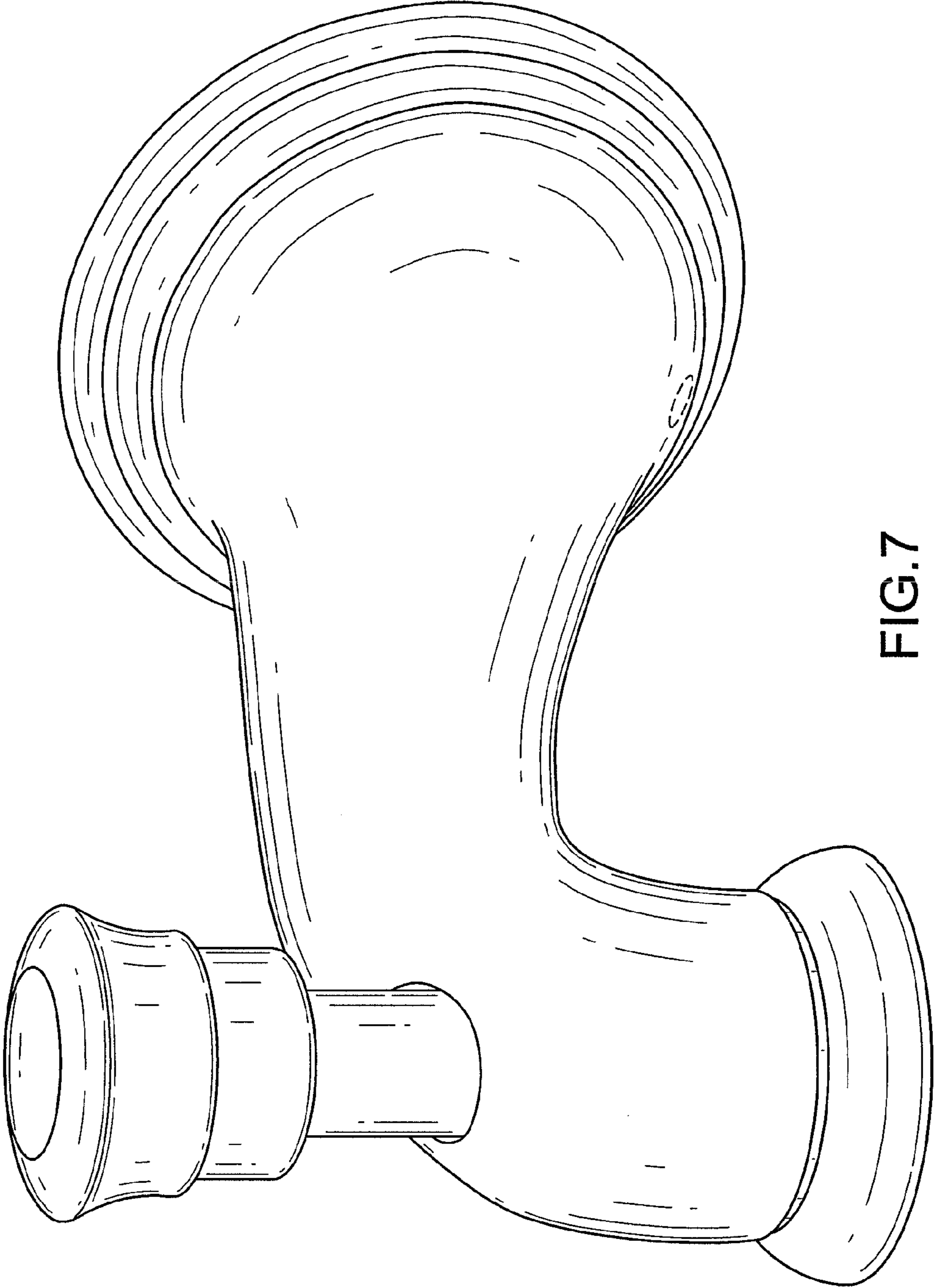


FIG. 7