



US00D687518S

(12) **United States Design Patent**
Garland

(10) **Patent No.:** **US D687,518 S**

(45) **Date of Patent:** **** Aug. 6, 2013**

(54) **FAUCET**

(71) Applicant: **Masco Corporation of Indiana,**
Indianapolis, IN (US)

(72) Inventor: **Celine Kwok Garland,** Indianapolis, IN
(US)

(73) Assignee: **Masco Corporation of Indiana,**
Indianapolis, IN (US)

(**) Term: **14 Years**

(21) Appl. No.: **29/444,652**

(22) Filed: **Feb. 1, 2013**

(51) **LOC (9) Cl.** **23-01**

(52) **U.S. Cl.**
USPC **D23/238**

(58) **Field of Classification Search**
USPC D23/238-242, 255, 257, 250, 252;
4/675-678; 137/801

See application file for complete search history.

(56) **References Cited**

U.S. PATENT DOCUMENTS

| | | | | | | |
|----------|---|---|---------|-------------------|-------|---------|
| D464,400 | S | * | 10/2002 | Spangler | | D23/238 |
| D490,503 | S | * | 5/2004 | Fraser et al. | | D23/255 |
| D572,346 | S | * | 7/2008 | Painter | | D23/242 |
| D608,420 | S | * | 1/2010 | Köhler et al. | | D23/255 |
| D623,725 | S | * | 9/2010 | Bouroullec et al. | | D23/254 |
| D646,758 | S | * | 10/2011 | Gessi | | D23/238 |

* cited by examiner

Primary Examiner — Robert Delehanty

(74) *Attorney, Agent, or Firm* — Edgar A. Zarins; Nirav D. Parikh

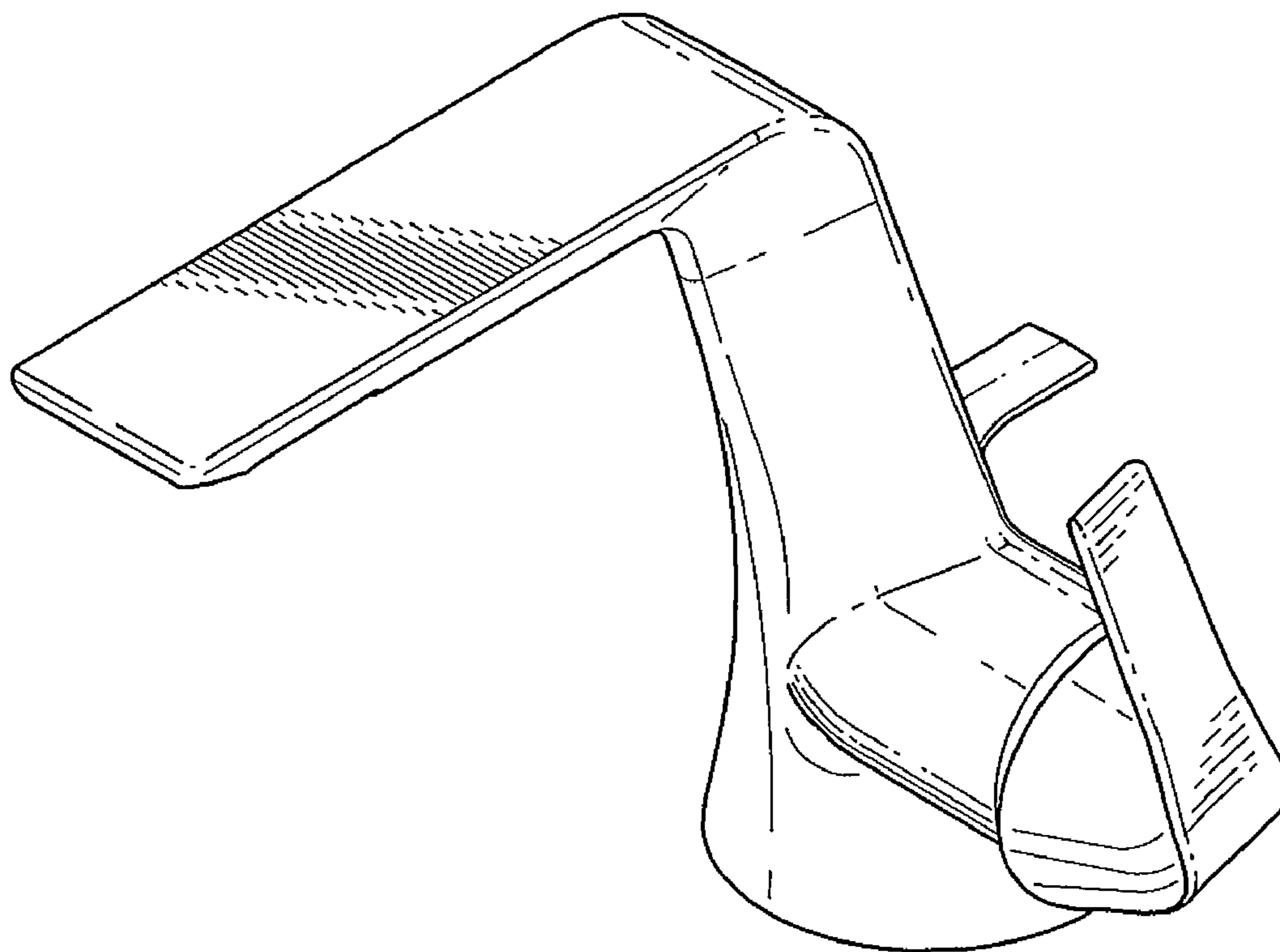
(57) **CLAIM**

The ornamental design for a faucet, as shown and described.

DESCRIPTION

FIG. 1 is a perspective view of a faucet showing my new design;
FIG. 2 is a top plan view thereof;
FIG. 3 is a bottom view thereof;
FIG. 4 is a front elevational view thereof;
FIG. 5 is a rear view thereof;
FIG. 6 is a right side view thereof; and,
FIG. 7 is a left side view thereof.

1 Claim, 3 Drawing Sheets



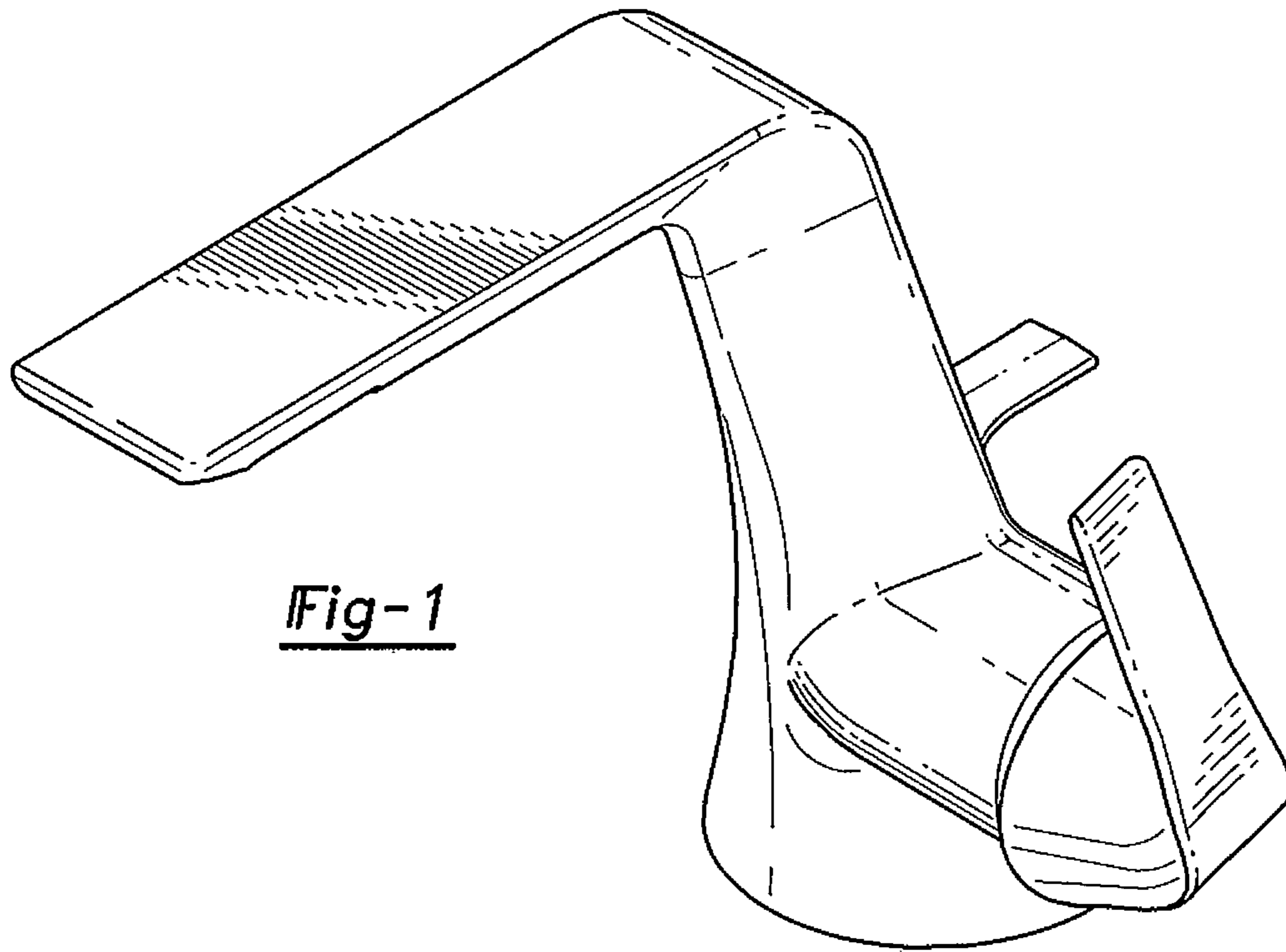


Fig-1

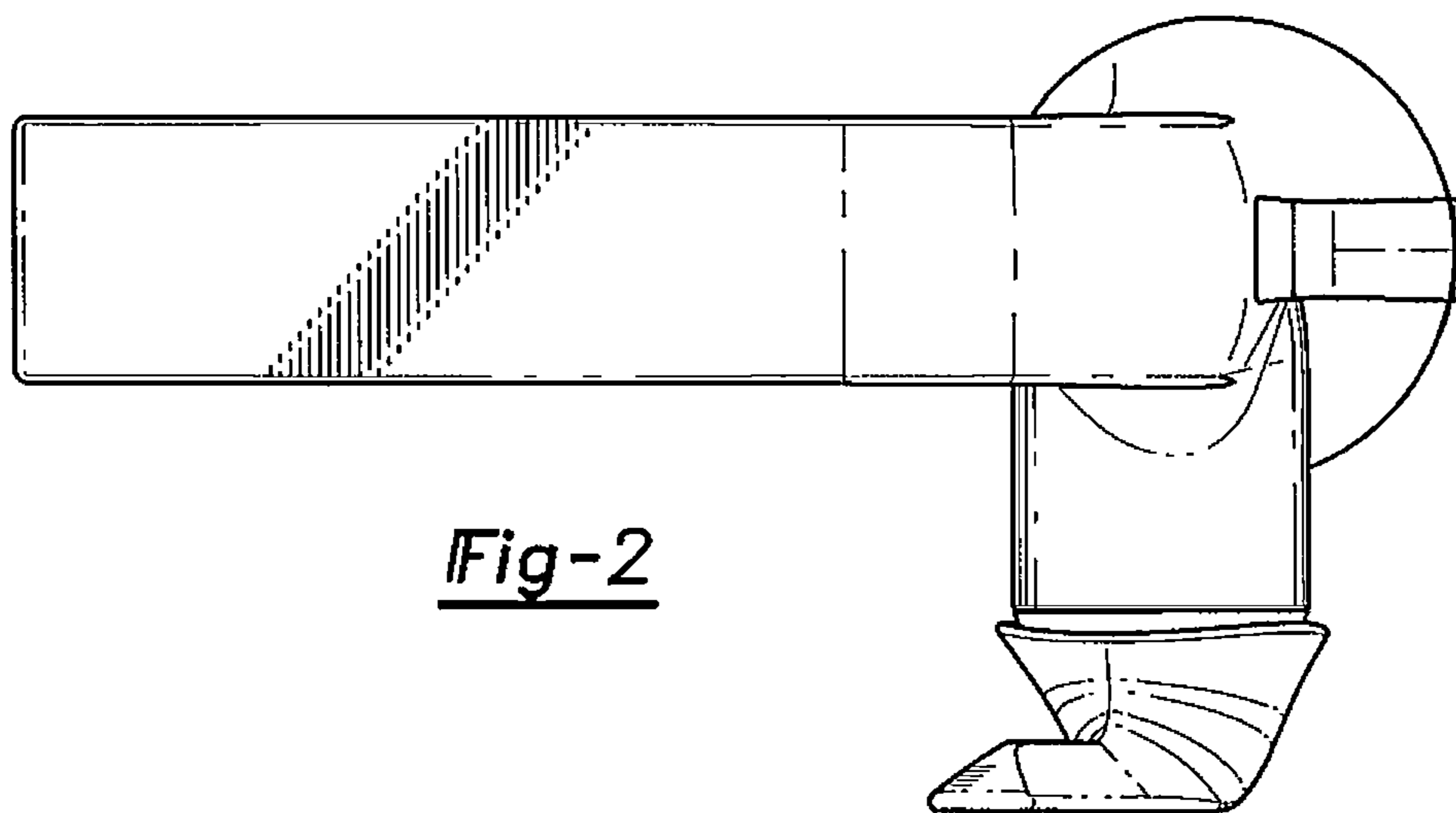


Fig-2

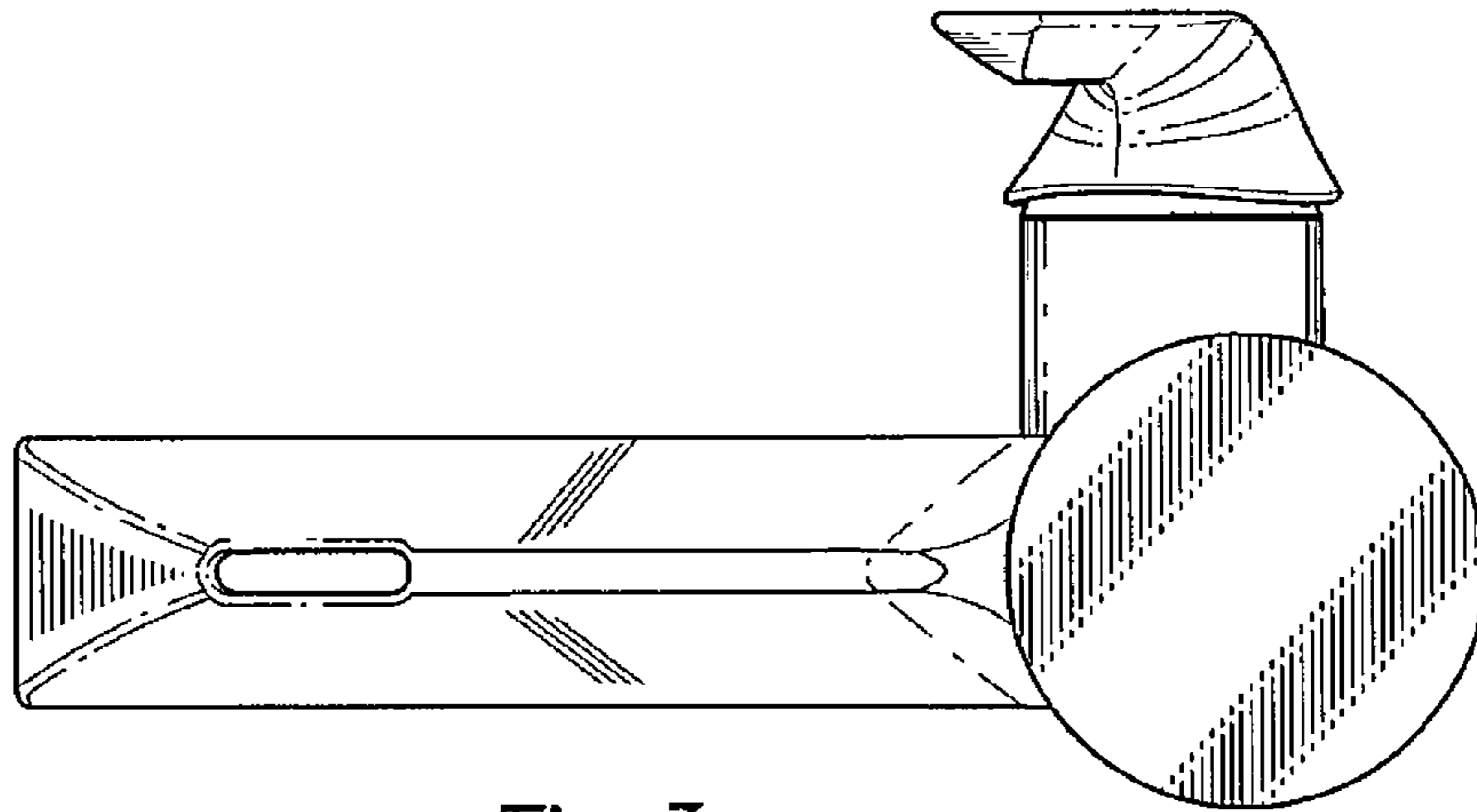


Fig-3

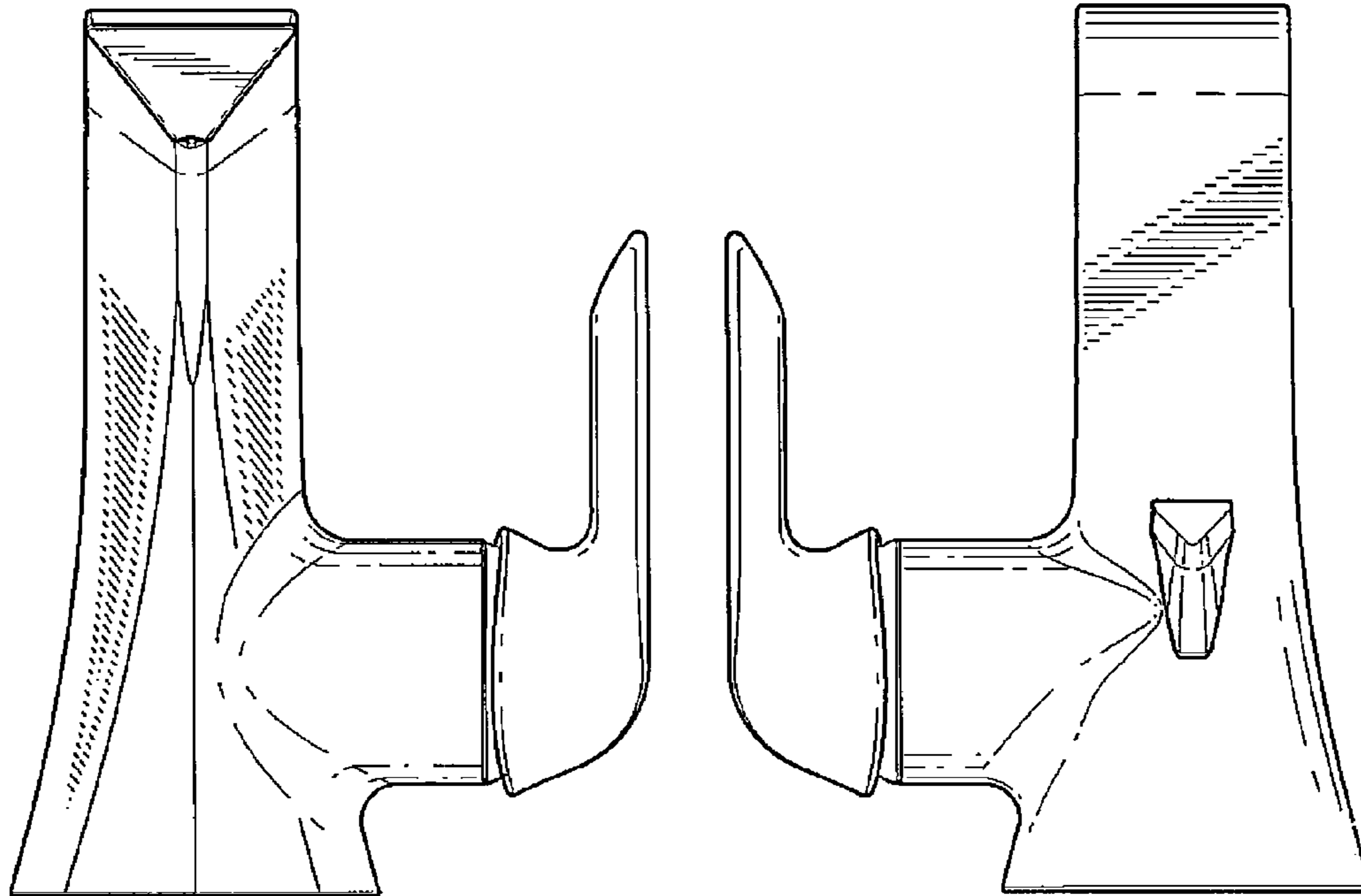


Fig-4

Fig-5

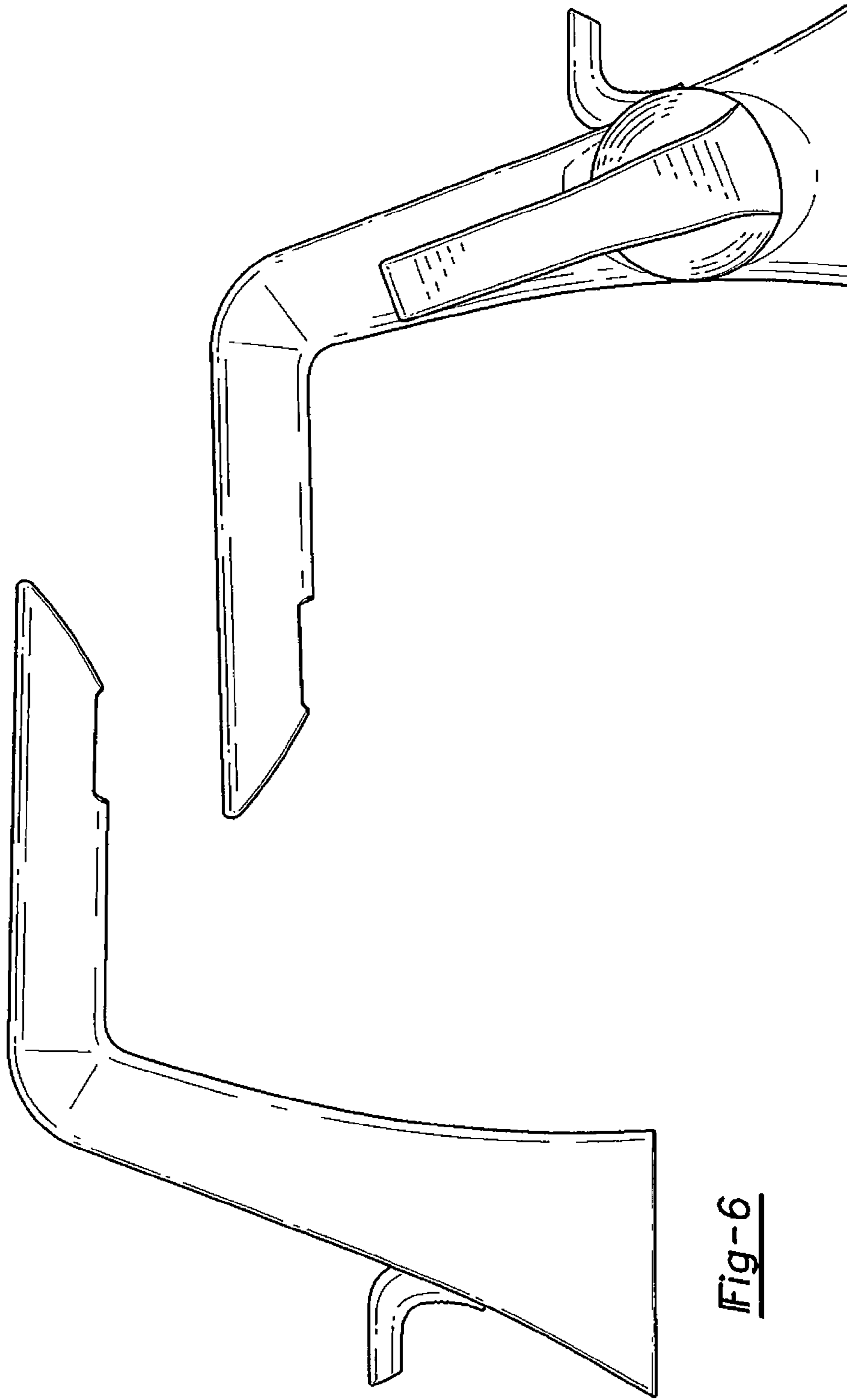


Fig-6

Fig-7