



US00D687517S

(12) **United States Design Patent**
Miles et al.

(10) **Patent No.:** **US D687,517 S**

(45) **Date of Patent:** **** Aug. 6, 2013**

(54) **AUXILIARY FAUCET**

D460,150 S 7/2002 Rexach
D463,529 S 9/2002 Dretzka
D463,530 S 9/2002 Dretzka
D468,397 S * 1/2003 Czerwinski, Jr. D23/238

(Continued)

(71) Applicant: **Access Business Group International LLC**, Ada, MI (US)

(72) Inventors: **Michael E. Miles**, Grand Rapids, MI (US); **Terry L. Lautzenheiser**, Nunica, MI (US); **Karen J. VanderKooi**, Walkerville, MI (US); **Shangfu Ma**, Xiamen (CN); **Stephen Carl Reif**, Tarpon Springs, FL (US)

FOREIGN PATENT DOCUMENTS

CN 3377904 7/2004
CN 3443060 4/2005

(Continued)

(73) Assignee: **Access Business Group International LLC**, Ada, MI (US)

Hidrotek (Chinese corp.) website www.hidrotek.cn.

(Continued)

(**) Term: **14 Years**

Primary Examiner — Robert Delehanty

(21) Appl. No.: **29/434,253**

(74) *Attorney, Agent, or Firm* — Warner Norcross & Judd LLP

(22) Filed: **Oct. 11, 2012**

(51) **LOC (9) Cl.** **23-01**

(52) **U.S. Cl.**
USPC **D23/238**

(58) **Field of Classification Search**
USPC D23/238–239, 241–243, 250, 252, D23/254–255, 257; 4/675–678; 137/801
See application file for complete search history.

(57) **CLAIM**

The ornamental design for an auxiliary faucet, as shown and described.

DESCRIPTION

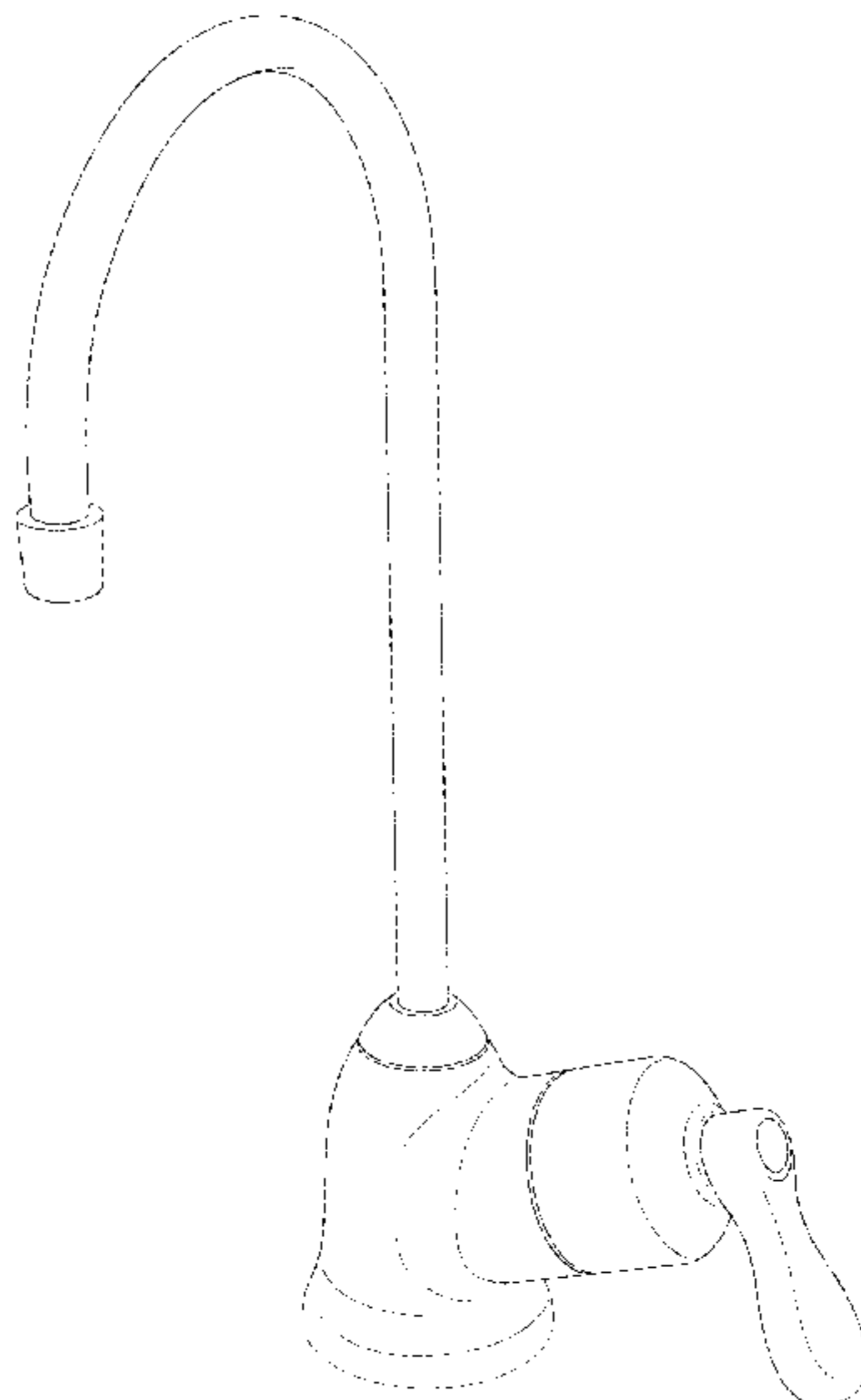
FIG. 1 is a top, right, front perspective view of an auxiliary faucet;
FIG. 2 is a right side view thereof;
FIG. 3 is a left side view thereof;
FIG. 4 is a front view thereof;
FIG. 5 is a rear view thereof;
FIG. 6 is a top plan view thereof; and,
FIG. 7 is a bottom plan view thereof.
FIGS. 1-5 and 7 show portions of the auxiliary faucet in broken lines. The broken line portions are shown for environmental purposes and form no part of the claimed design. The broken line segments immediately adjacent the solid line portions of the design define the boundary of the design, but do not themselves form part of the claimed design.

1 Claim, 7 Drawing Sheets

(56) **References Cited**

U.S. PATENT DOCUMENTS

D281,095 S	10/1985	Arnold et al.	
D281,096 S	10/1985	Arnold et al.	
D337,812 S *	7/1993	Bray	D23/238
D350,591 S *	9/1994	Kawakami	D23/238
D364,213 S	11/1995	Dannenberg et al.	
D428,965 S	8/2000	Slothower	
D437,394 S	2/2001	Mark et al.	
D438,285 S	2/2001	Baghera et al.	
D438,935 S	3/2001	Mark et al.	
D441,836 S	5/2001	Mark et al.	
D443,337 S	6/2001	Mark et al.	
D444,212 S	6/2001	Fleischmann	



US D687,517 S

Page 2

U.S. PATENT DOCUMENTS

D468,398 S	1/2003	Ziemann	
D470,224 S	2/2003	Hanna	
D472,961 S	4/2003	Ziemann	
D479,310 S	9/2003	Ziemann	
D487,798 S	3/2004	Bayer	
D488,210 S	4/2004	Lord	
D499,795 S	12/2004	Bayer	
D511,560 S	11/2005	Kulig et al.	
D513,788 S	1/2006	Lindholm	
D514,665 S	2/2006	Lindholm	
D517,166 S	3/2006	Chu	
D517,652 S	3/2006	Egli et al.	
D521,109 S	5/2006	Lord	
D526,389 S	8/2006	Lammel	
D527,075 S	8/2006	Wood et al.	
D529,996 S	* 10/2006	Martinez	D23/238
D532,483 S	11/2006	Lobermeier et al.	
D532,868 S	11/2006	Spangler et al.	
D532,869 S	11/2006	Lobermeier et al.	
D534,246 S	12/2006	Chu et al.	
D534,621 S	1/2007	Chu et al.	
D537,146 S	2/2007	Hanna	
D538,402 S	3/2007	Lammel et al.	
D539,870 S	4/2007	Lammel et al.	
D539,871 S	4/2007	Hanna	
D540,434 S	4/2007	Chu et al.	
D540,911 S	4/2007	Citterio	
D544,945 S	6/2007	Wood et al.	
D550,330 S	9/2007	Mullenmeister	
D564,075 S	3/2008	Williams	
D566,811 S	4/2008	Zhang	
D567,909 S	4/2008	Schonherr	
D571,438 S	6/2008	Gilbert	
D571,893 S	6/2008	Celli	
D575,375 S	8/2008	Williams	
D575,848 S	8/2008	Kirar	
D585,112 S	1/2009	Kohler, Jr. et al.	
D585,963 S	2/2009	Byrne	
D594,934 S	6/2009	Vu et al.	
D602,586 S	10/2009	Kwok	
D603,021 S	10/2009	Roy	
D607,544 S	1/2010	Roy	
D608,417 S	1/2010	Rubin et al.	
D609,780 S	2/2010	Fritz et al.	
D610,653 S	2/2010	Schoenherr et al.	
D611,124 S	3/2010	Schoenherr et al.	
D612,015 S	3/2010	Lammel et al.	
D620,558 S	7/2010	Krumpe	
D621,005 S	8/2010	Bouroullec et al.	
D624,158 S	9/2010	Roy	
D625,391 S	10/2010	Soriano	
D632,365 S	2/2011	Choi	
D636,852 S	4/2011	Yu	
D642,661 S	8/2011	Corbett	
D645,120 S	9/2011	Lammel	
D645,121 S	9/2011	Fritz	

D645,122 S	9/2011	Fritz
D645,544 S	9/2011	Flowers et al.
D645,937 S	9/2011	Sedwick
D653,729 S	2/2012	Romero
D653,730 S	2/2012	Bailey et al.
D653,731 S	2/2012	Bailey
D653,732 S	2/2012	Romero
D658,744 S	5/2012	Starck
D665,876 S	8/2012	Corbett
D665,877 S	8/2012	Fritz

FOREIGN PATENT DOCUMENTS

CN	3589214	12/2006
CN	300755065	3/2008
CN	301005921	9/2009
CN	301068013	11/2009
CN	301157795	3/2010
CN	301348590	9/2010
CN	301376107	11/2010
CN	301376137	11/2010
CN	301419342	12/2010
CN	301612289	7/2011
CN	301612290	7/2011
CN	301618219	7/2011
CN	301660960	8/2011
CN	301705061	10/2011
CN	301709505	10/2011
CN	301895622	4/2012
CN	301915673	5/2012
CN	301940942	5/2012
CN	301999792	7/2012
CN	302011504	7/2012
CN	302011514	7/2012
CN	302011587	7/2012
CN	302021894	8/2012
CN	302031611	8/2012
CN	302035473	8/2012
DM	056615	1/2001
KR	30367728	4/2004
KR	30506086	4/2008
TW	574009	1/2004
TW	D104818	5/2005
TW	D113235	10/2006
TW	D115234	1/2007
TW	D115235	1/2007
TW	D117825	6/2007
TW	D119766	11/2007
TW	D120292	12/2007
TW	D120677	12/2007
TW	D129232	6/2009
TW	D136219	8/2010

OTHER PUBLICATIONS

Elements of Design (U.S. corp.) website www.eodfaucet.com.

* cited by examiner

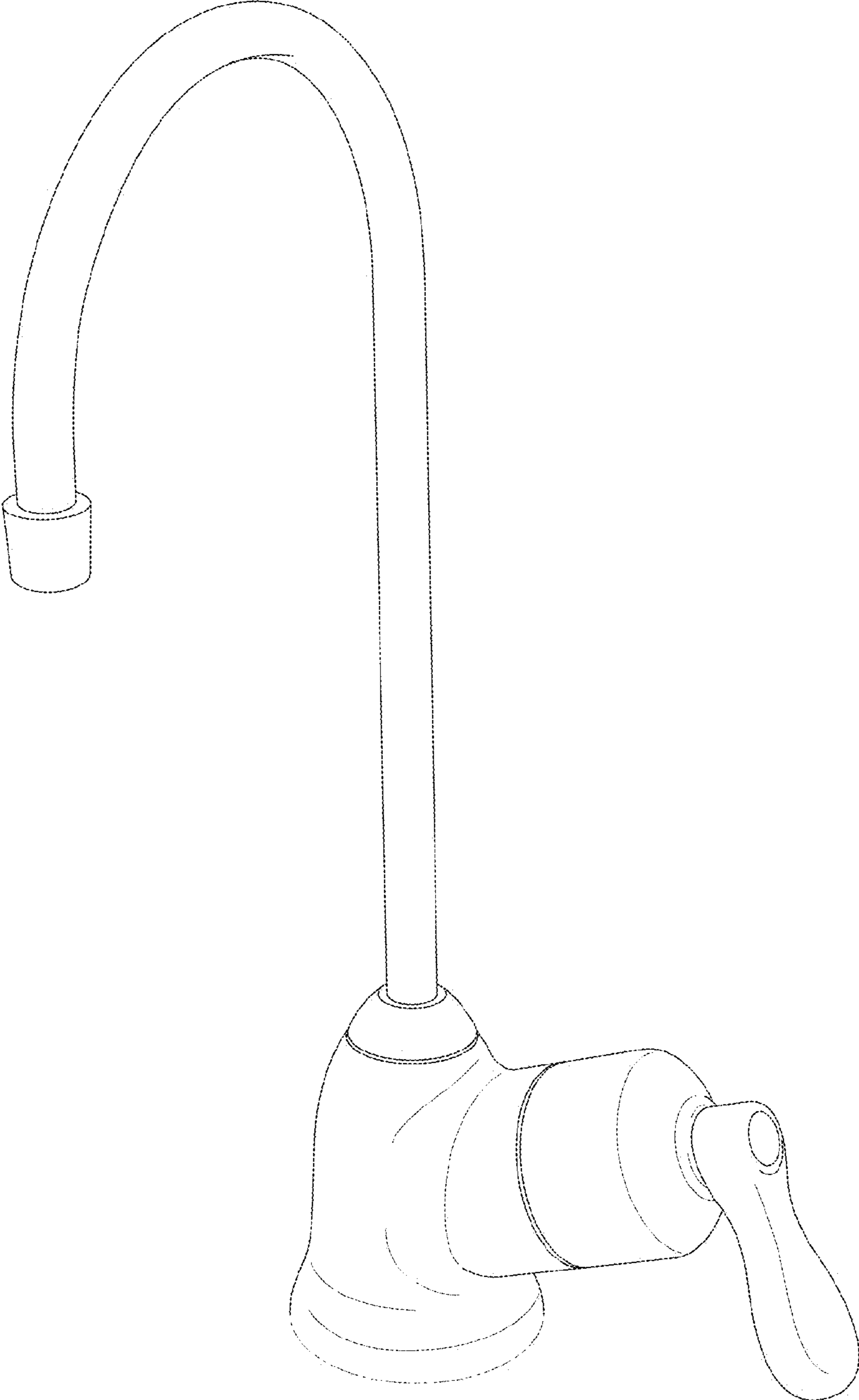


Fig. 1

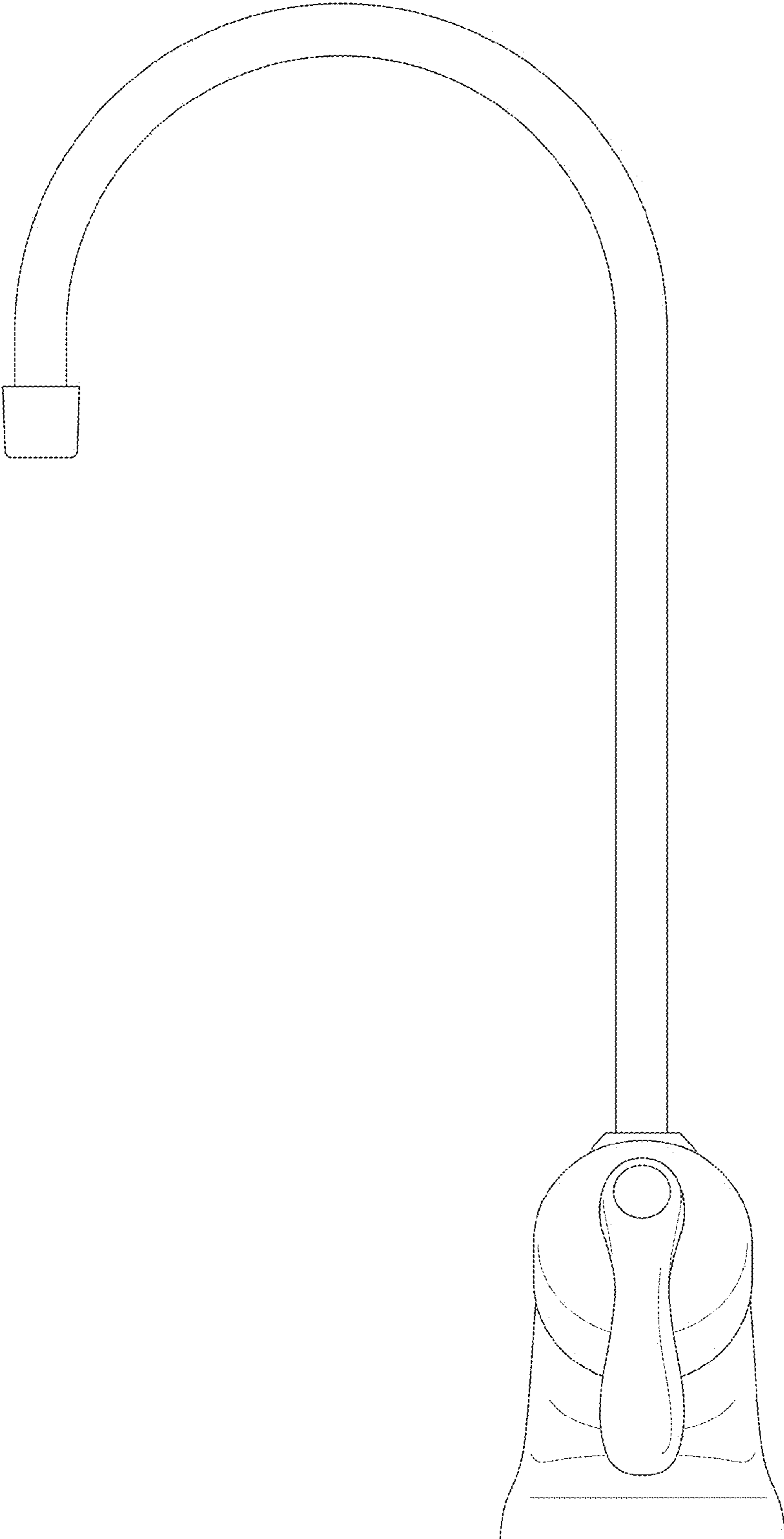


Fig. 2

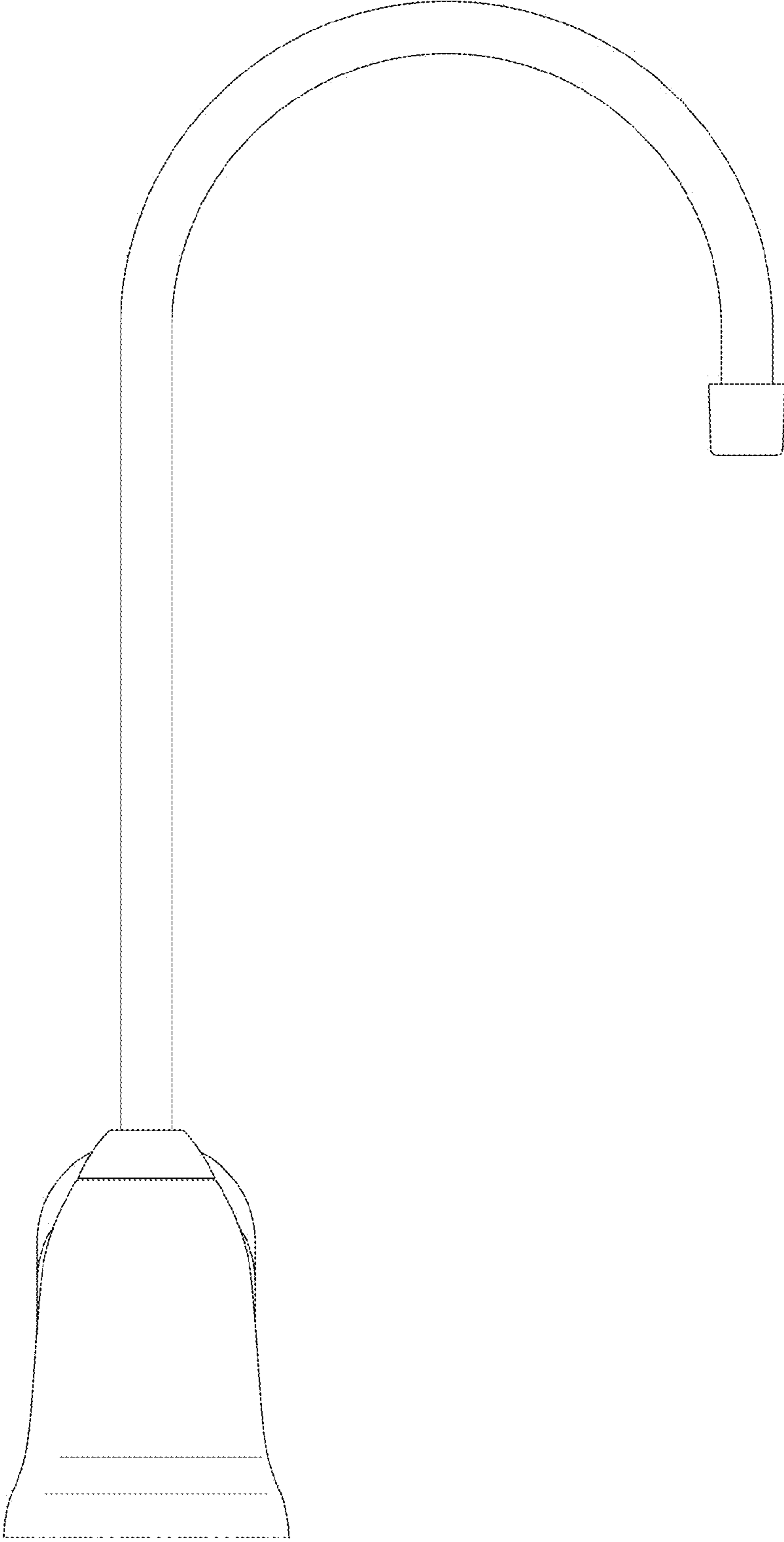


Fig. 3

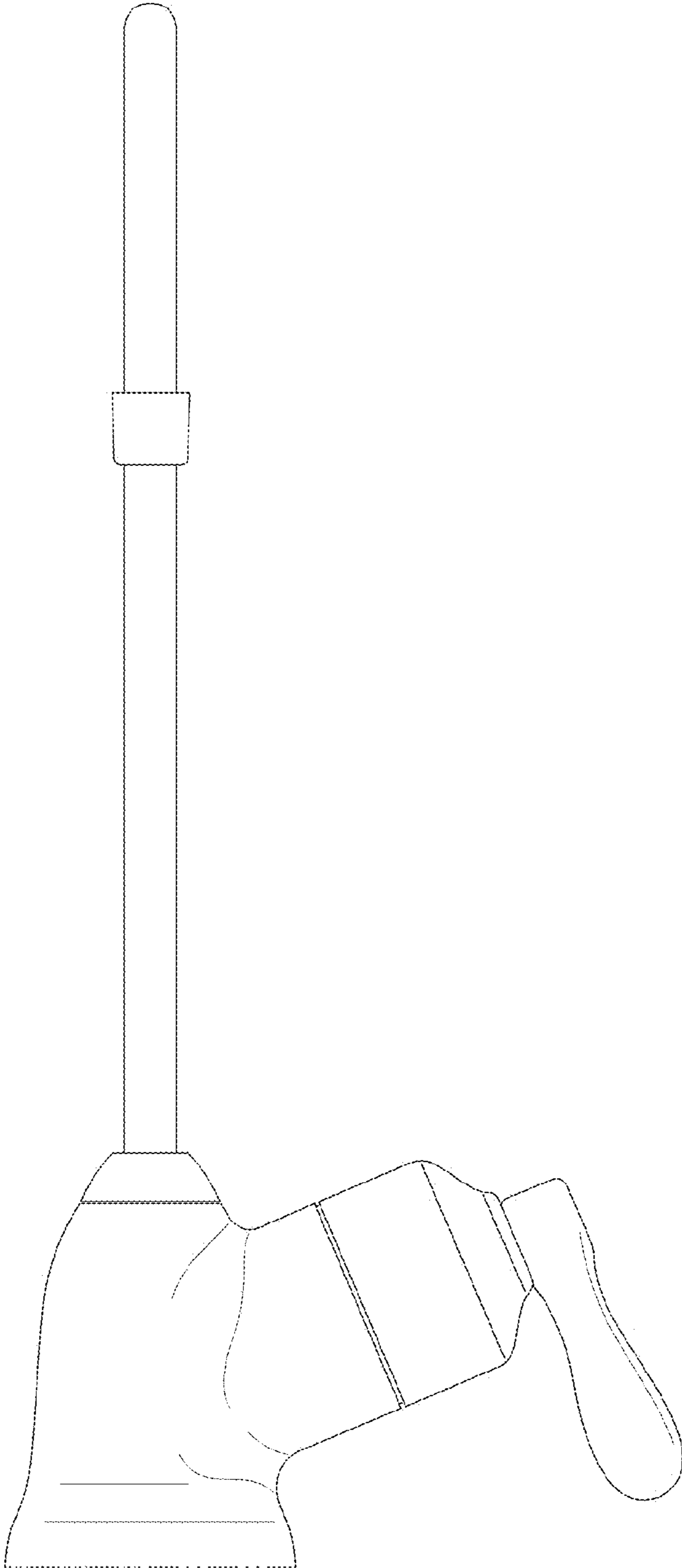


Fig. 4

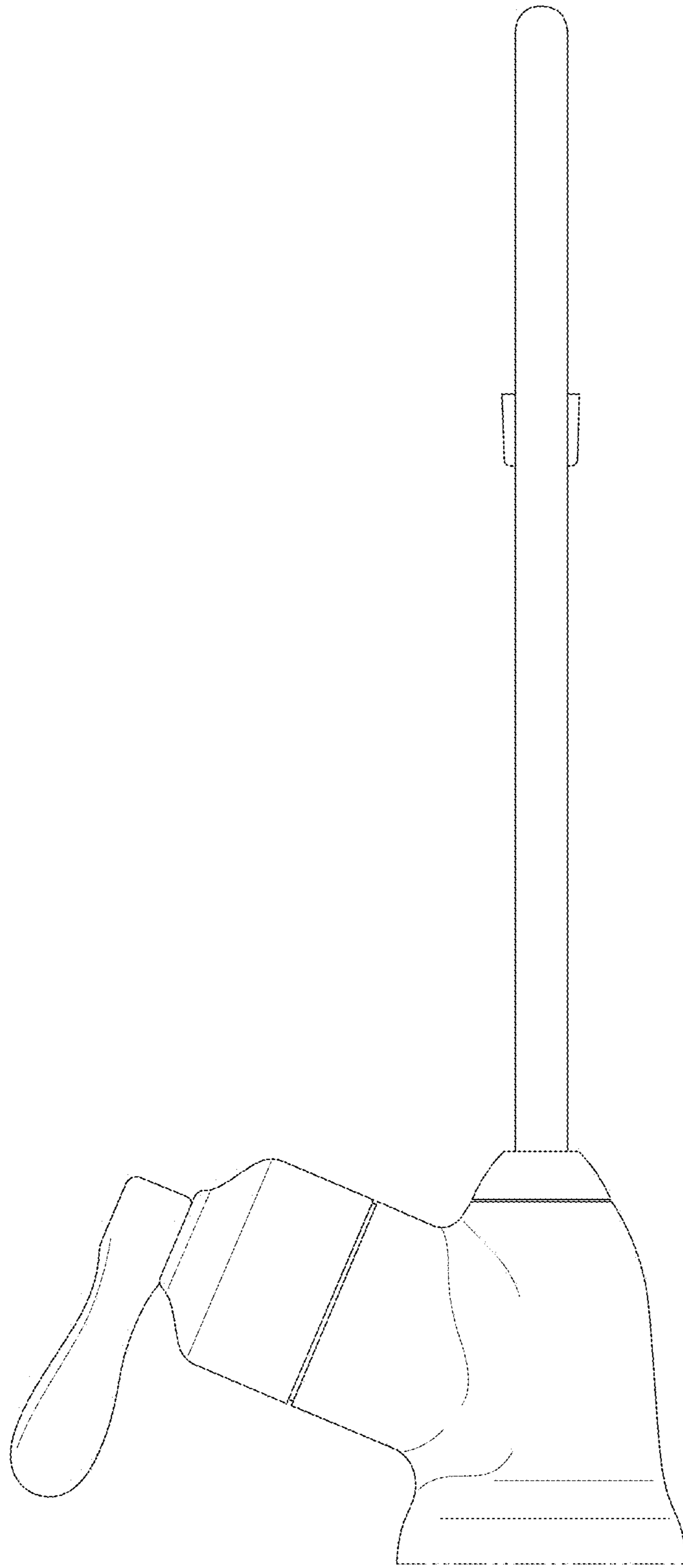


Fig. 5

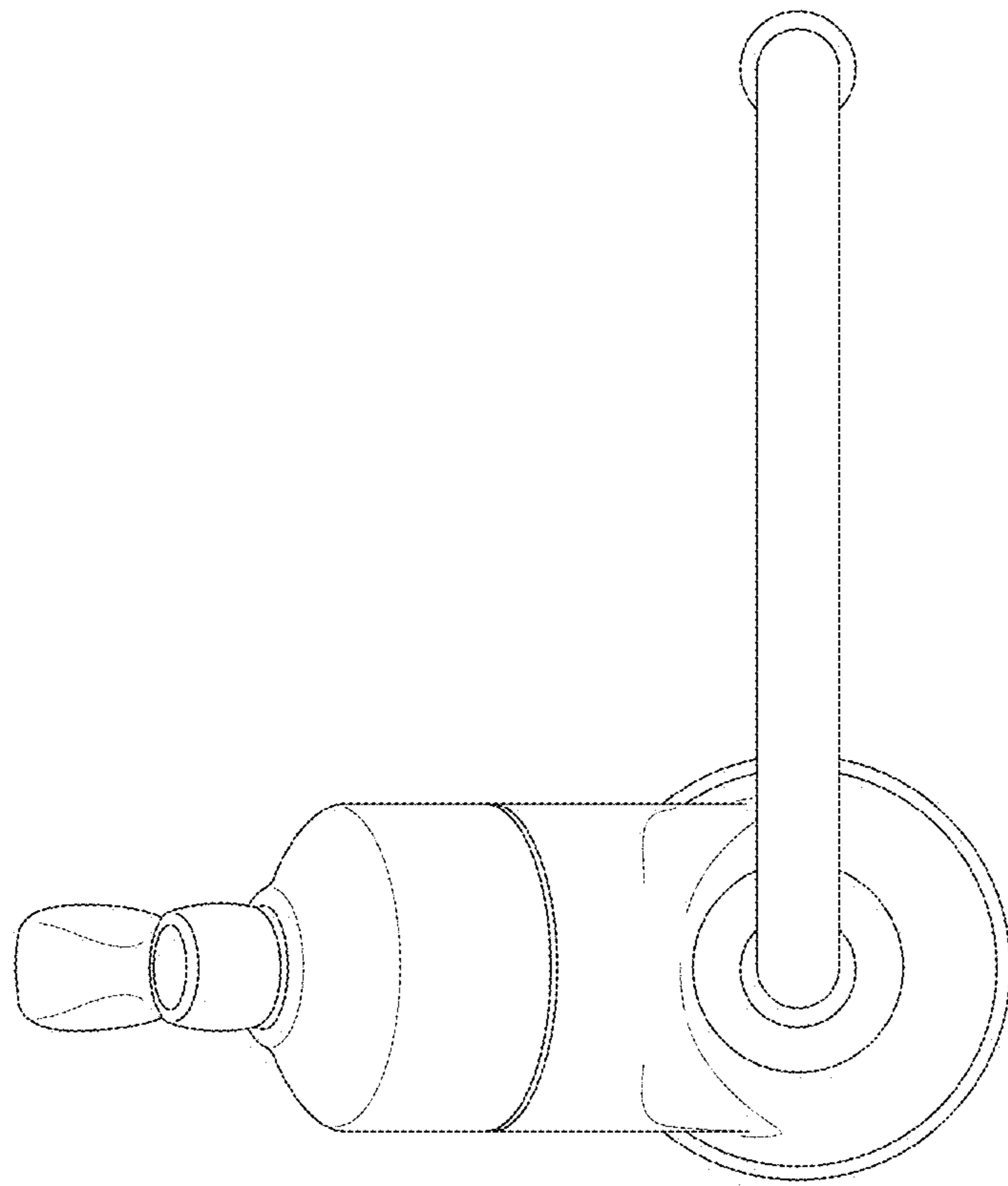


Fig. 6

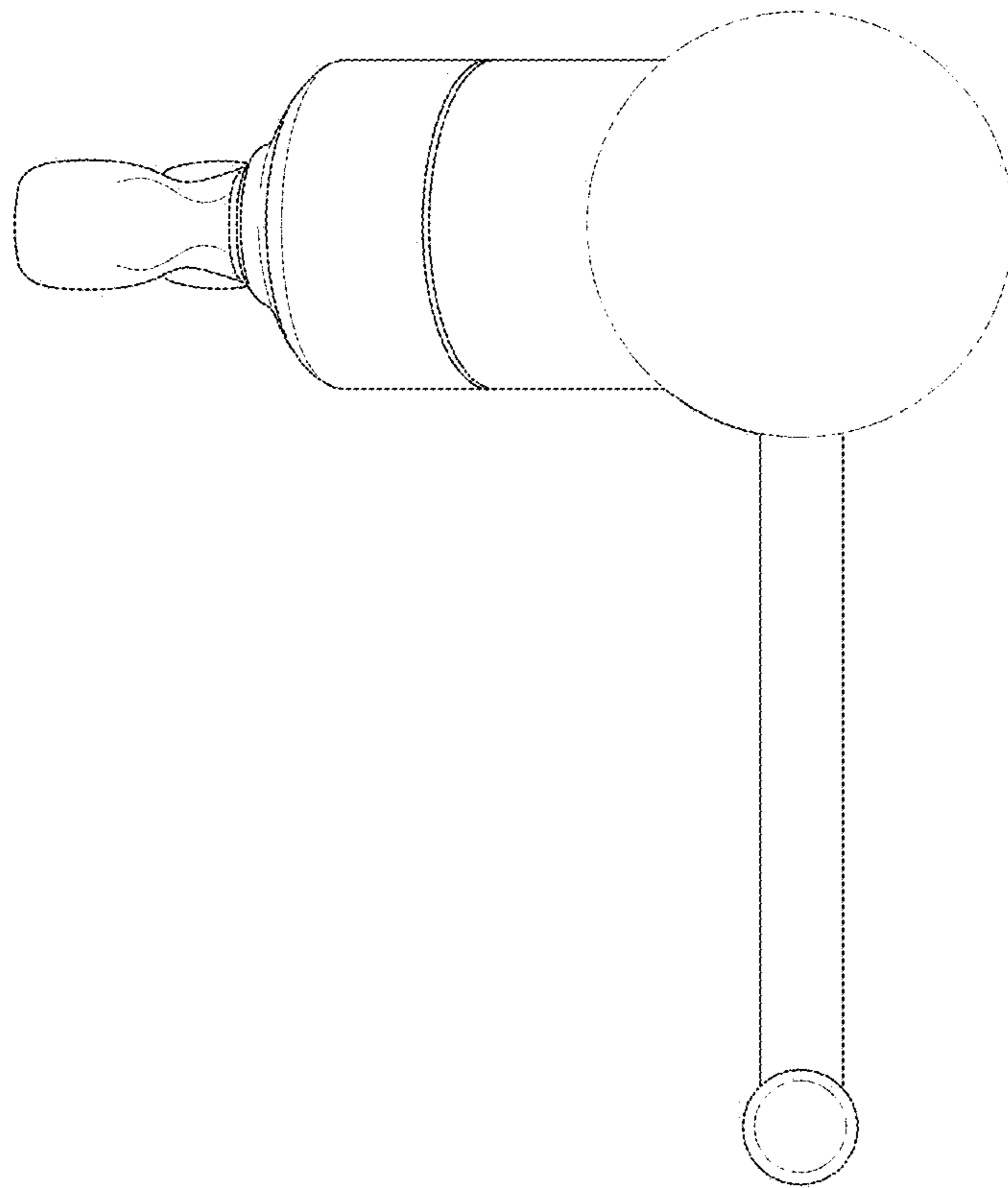


Fig. 7