



US00D687516S

(12) **United States Design Patent**
Asaba

(10) **Patent No.:** **US D687,516 S**
(45) **Date of Patent:** **** Aug. 6, 2013**

(54) **FLUID PRESSURE CYLINDER WITH PLATE**

(71) Applicant: **SMC Kabushiki Kaisha**, Tokyo (JP)

(72) Inventor: **Tsuyoshi Asaba**, Abiko (JP)

(73) Assignee: **SMC Kabushiki Kaisha**, Tokyo (JP)

(**) Term: **14 Years**

(21) Appl. No.: **29/446,267**

(22) Filed: **Feb. 21, 2013**

Related U.S. Application Data

(62) Division of application No. 29/385,489, filed on Feb. 15, 2011.

(51) **LOC (9) Cl.** **23-01**

(52) **U.S. Cl.**
USPC **D23/233; D10/85**

(58) **Field of Classification Search**
USPC **D23/233-237; D10/85; 92/165 R,**
92/166; 137/884, 885; 251/129.01, 129.15
See application file for complete search history.

(56) **References Cited**

U.S. PATENT DOCUMENTS

5,555,789	A	9/1996	Rosengren et al.
D386,431	S	11/1997	Nagai et al.
D386,702	S	11/1997	Nagai et al.
D439,533	S	3/2001	Wakasugi et al.
D461,733	S	8/2002	Iida
D556,861	S	12/2007	Yokohari
D606,629	S	12/2009	Tokumoto
7,836,816	B2	11/2010	Tokumoto
D636,460	S	4/2011	Hayashi
D660,191	S	5/2012	Asaba
D667,532	S	9/2012	Asaba

FOREIGN PATENT DOCUMENTS

JP	D0933381	S	8/1995
JP	D1031537		2/1999

OTHER PUBLICATIONS

U.S. Appl. No. 29/385,493; Inventor: Tsuyoshi Asaba; Title: "Fluid Pressure Cylinder With Plate"; filed Feb. 15, 2011.

U.S. Appl. No. 29/446,269; Inventor: Tsuyoshi Asaba; Title: "Fluid Pressure Cylinder With Plate"; filed Feb. 21, 2013.

(Continued)

Primary Examiner — Robin V Webster

(74) *Attorney, Agent, or Firm* — Holtz, Holtz, Goodman & Chick, PC

(57) **CLAIM**

The ornamental design for a fluid pressure cylinder with plate, as shown and described.

DESCRIPTION

FIG. 1 is a top, rear and left-side perspective view of a fluid pressure cylinder with plate showing a first embodiment of my new design;

FIG. 2 is a bottom, rear and right-side perspective view thereof;

FIG. 3 is a front view thereof;

FIG. 4 is a rear view thereof;

FIG. 5 is a top plan view thereof;

FIG. 6 is a bottom plan view thereof;

FIG. 7 is a left side view thereof;

FIG. 8 is a right side view thereof;

FIG. 9 is a top, rear and left-side perspective view of a fluid pressure cylinder with plate showing a second embodiment of my new design;

FIG. 10 is a bottom, rear and right-side perspective view thereof;

FIG. 11 is a front view thereof;

FIG. 12 is a rear view thereof;

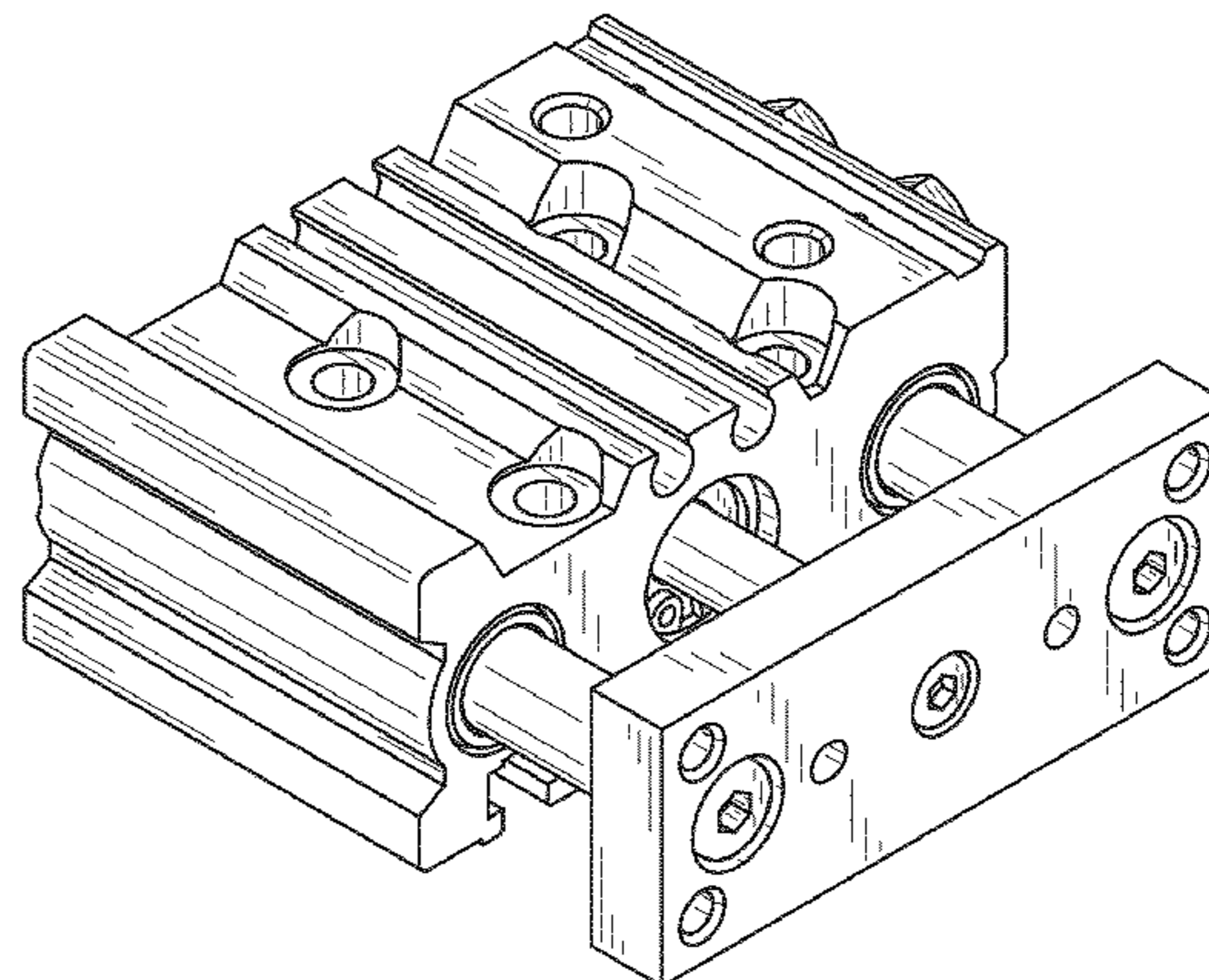
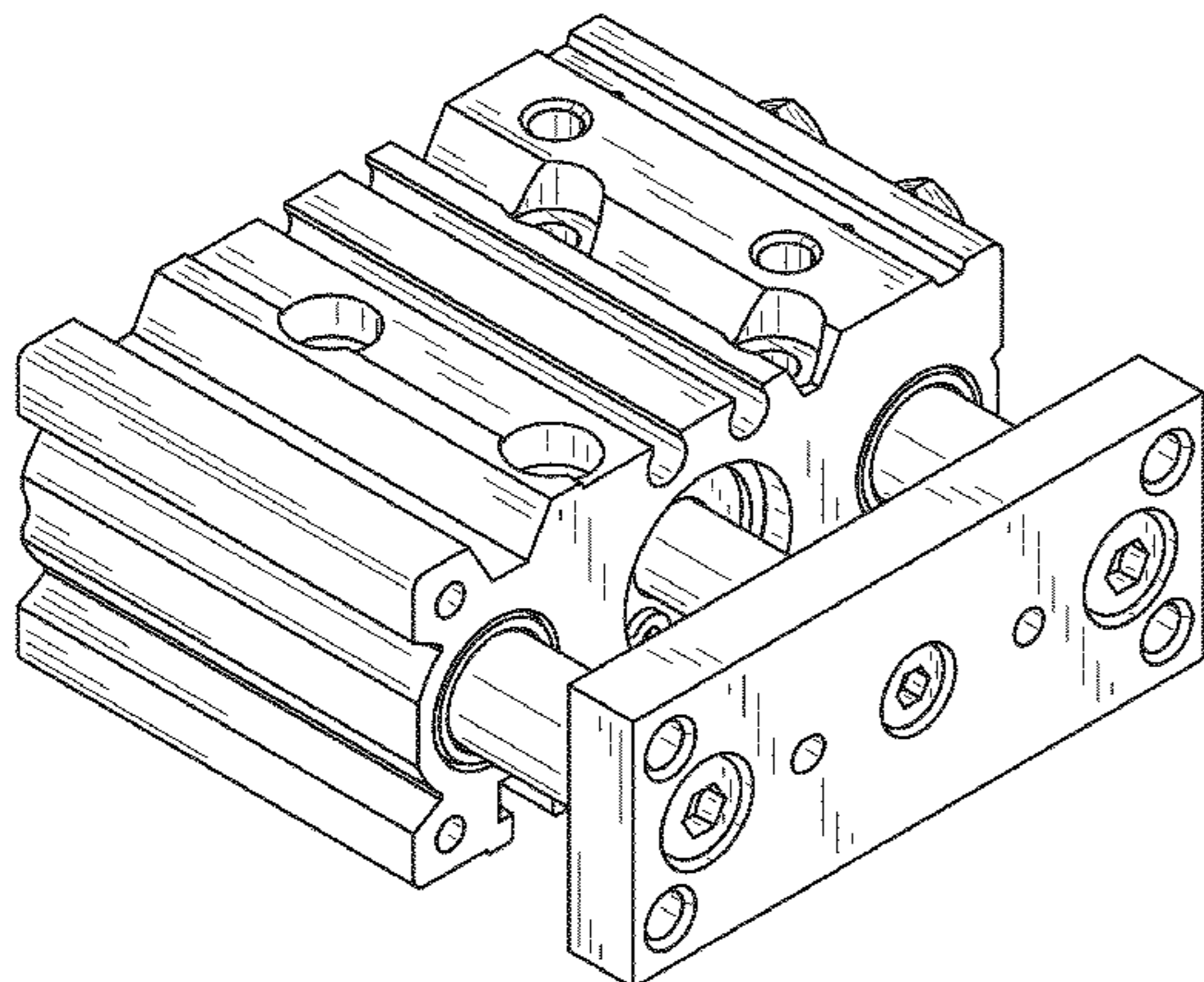
FIG. 13 is a top plan view thereof;

FIG. 14 is a bottom plan view thereof;

FIG. 15 is a left side view thereof; and,

FIG. 16 is a right side view thereof.

1 Claim, 16 Drawing Sheets



OTHER PUBLICATIONS

U.S. Appl. No. 29/446,275; Inventor: Tsuyoshi Asaba; Title: "Fluid Pressure Cylinder With Plate"; filed Feb. 21, 2013.

U.S. Appl. No. 29/385,495; Inventor: Tsuyoshi Asaba; Title: "Fluid Pressure Cylinder With Plate"; filed Feb. 15, 2011.

Japanese Office Action dated Oct. 18, 2011 (and English translation thereof) in Japanese Application No. 2011-000997, which is a Japanese counterpart of related U.S. Appl. No. 29/385,495.

U.S. Appl. No. 29/385,493; Inventor: Tsuyoshi Asaba; Title: "Fluid Pressure Cylinder With Plate"; filed, Feb. 15, 2011.

U.S. Appl. No. 29/446,269; Inventor: Tsuyoshi Asaba; Title: "Fluid Pressure Cylinder With Plate"; filed, Feb. 21, 2013.

U.S. Appl. No. 29/446,275; Inventor: Tsuyoshi Asaba; Title: "Fluid Pressure Cylinder With Plate"; filed, Feb. 21, 2013.

U.S. Appl. No. 29/385,495; Inventor: Tsuyoshi Asaba; Title: "Fluid Pressure Cylinder With Plate"; filed, Feb. 15, 2011.

Japanese Office Action dated Oct. 18, 2011 (and English translation thereof) in Japanese Application No. 2011-000996, which is a Japanese counterpart of related U.S. Appl. No. 29/385,493.

Japanese Office Action dated Oct. 18, 2011 (and English translation thereof) in Japanese Application No. 2011-000997, which is a Japanese counterpart of related U.S. Appl. No. 29/385,495.

FIG. 1

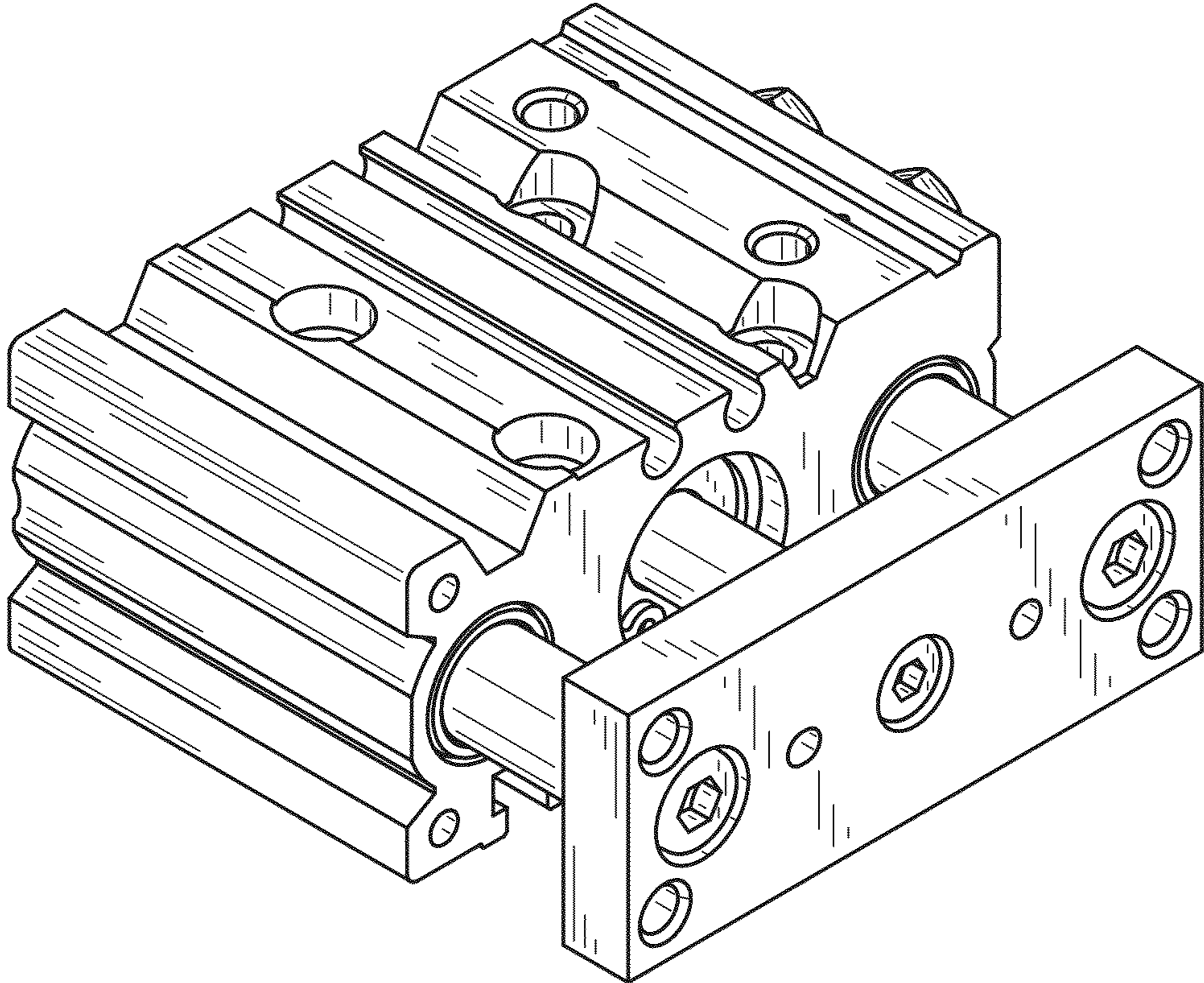


FIG. 2

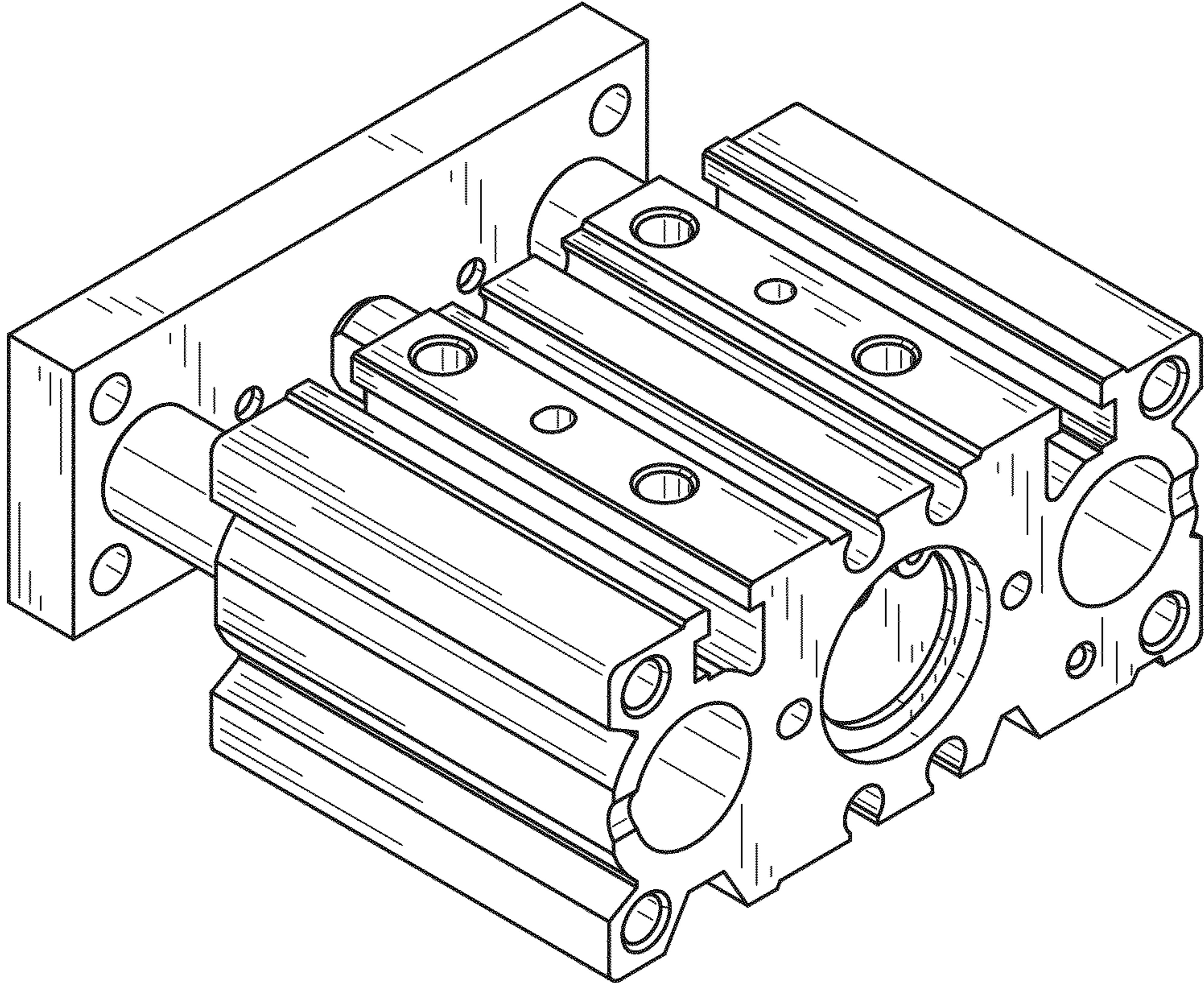


FIG. 3

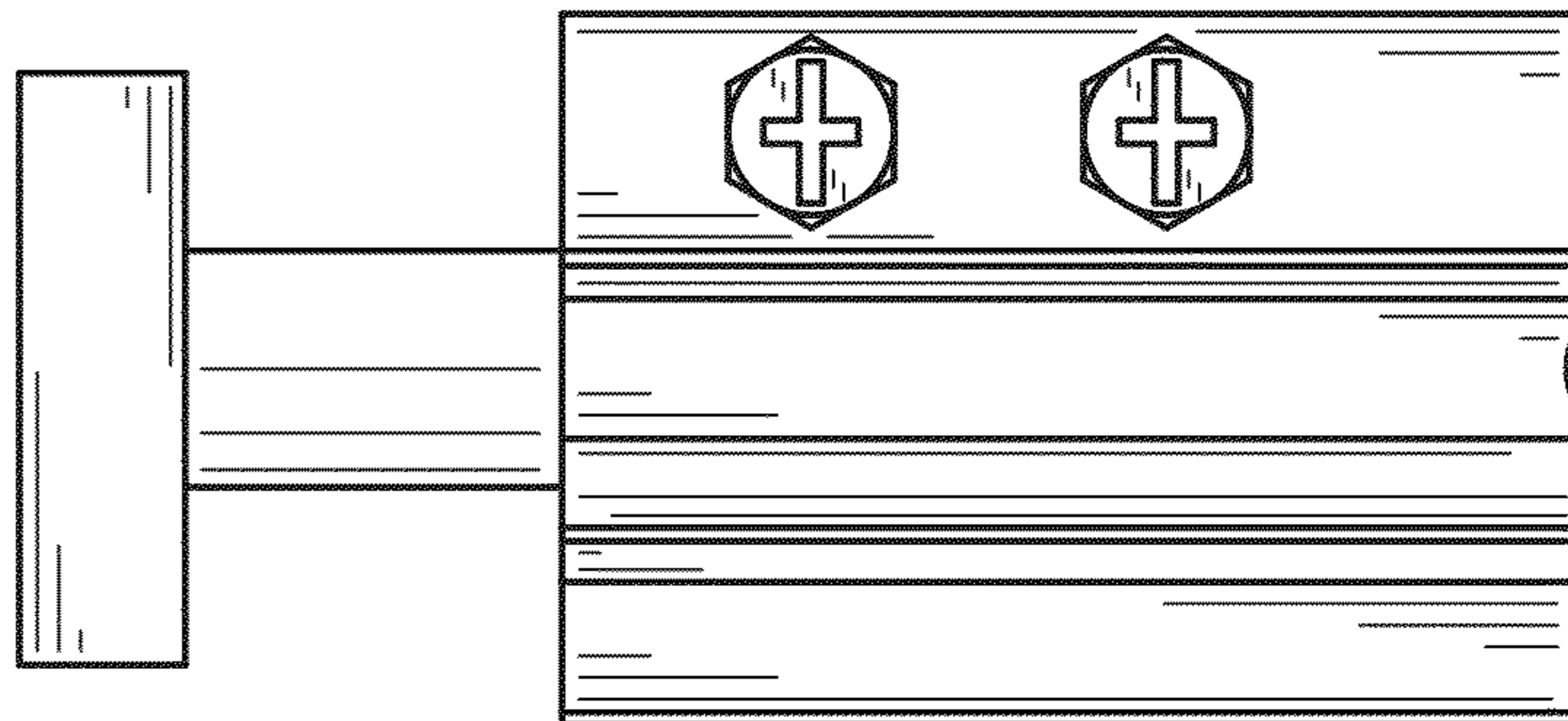


FIG. 4

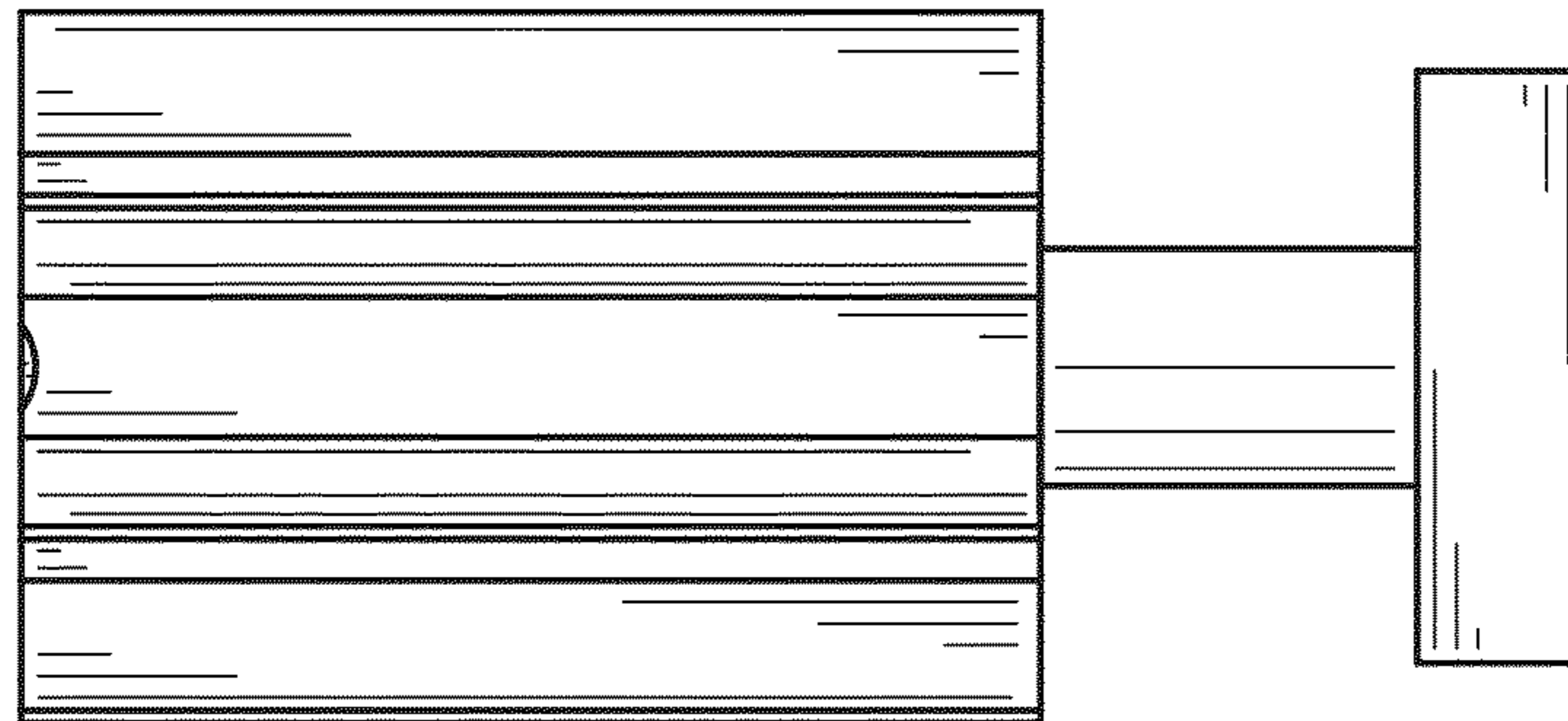


FIG. 5

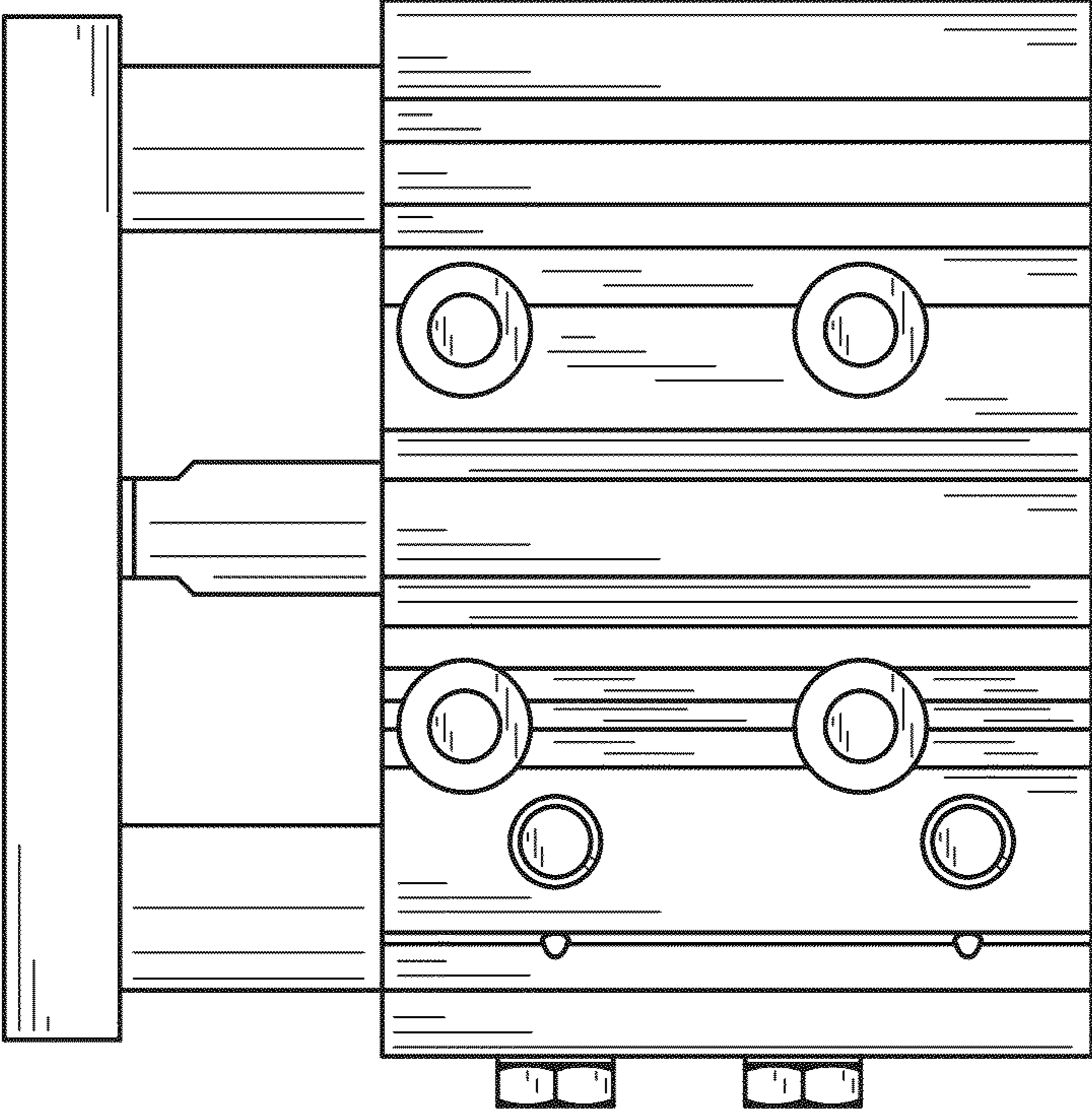


FIG. 6

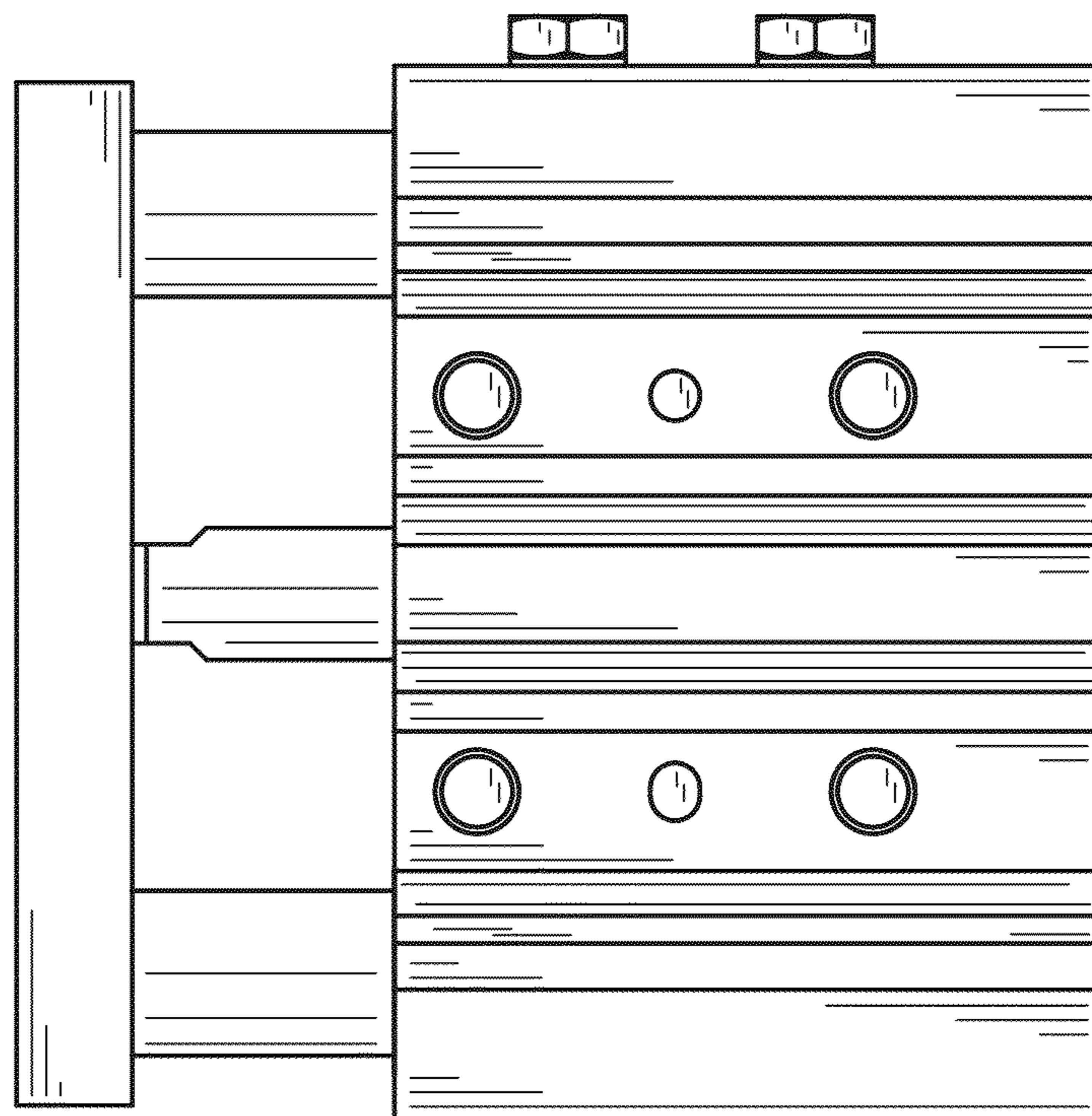


FIG. 7

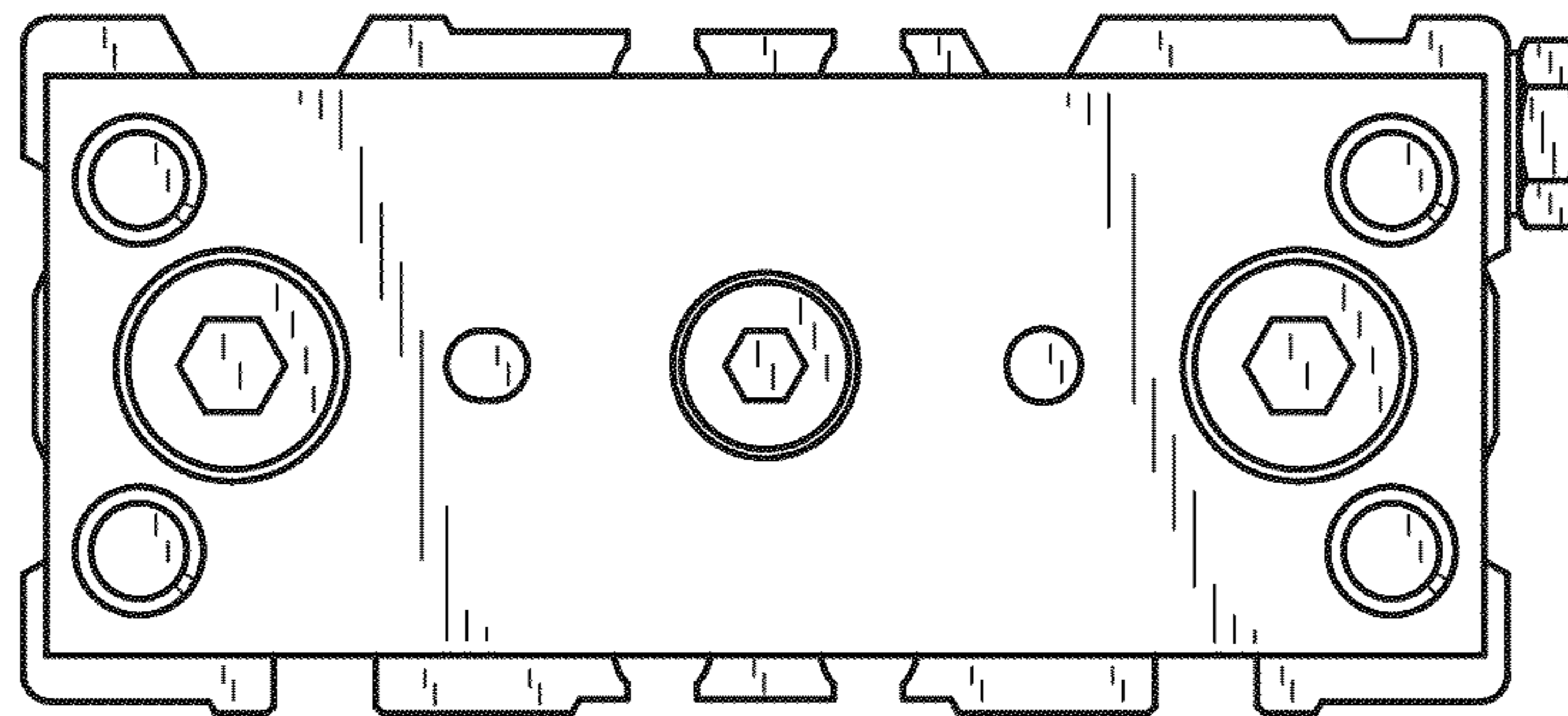


FIG. 8

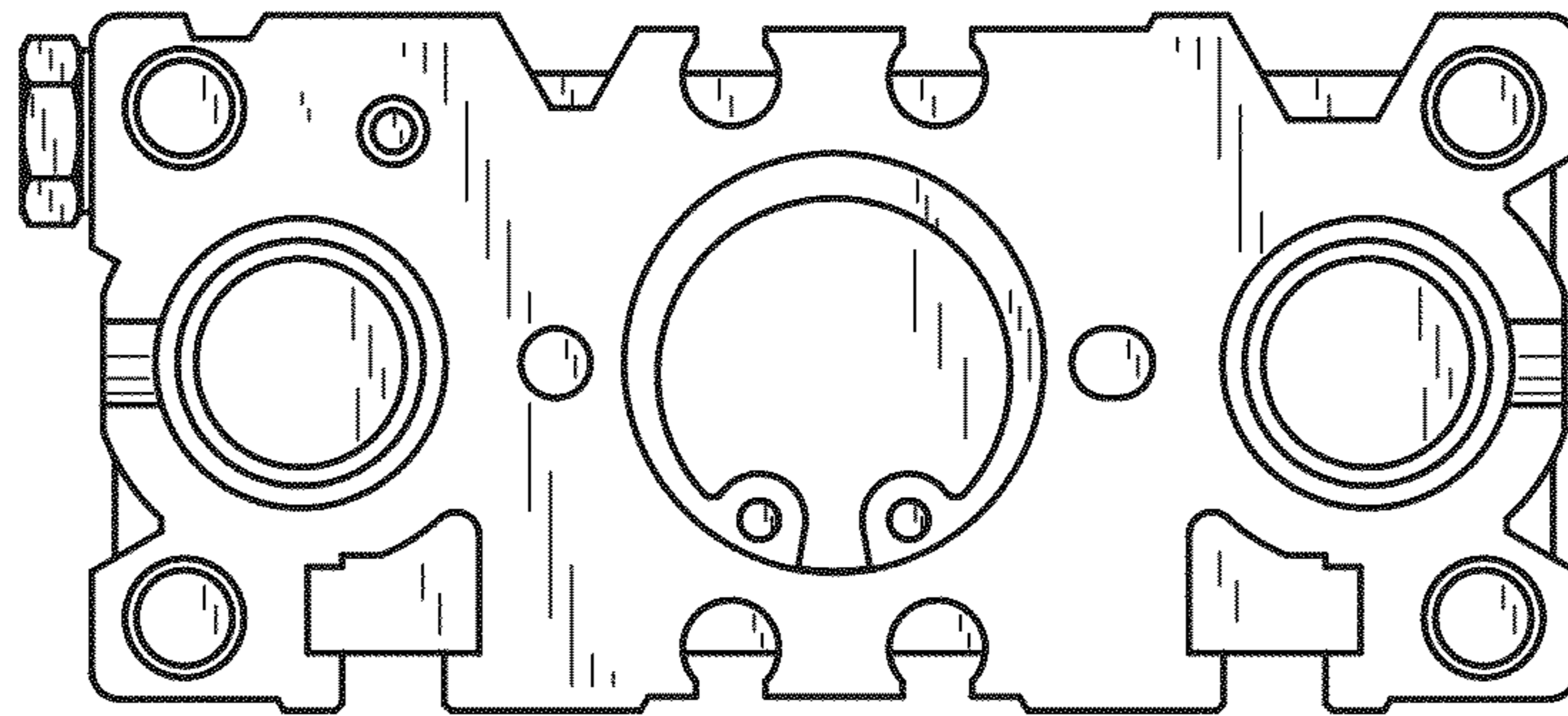


FIG. 9

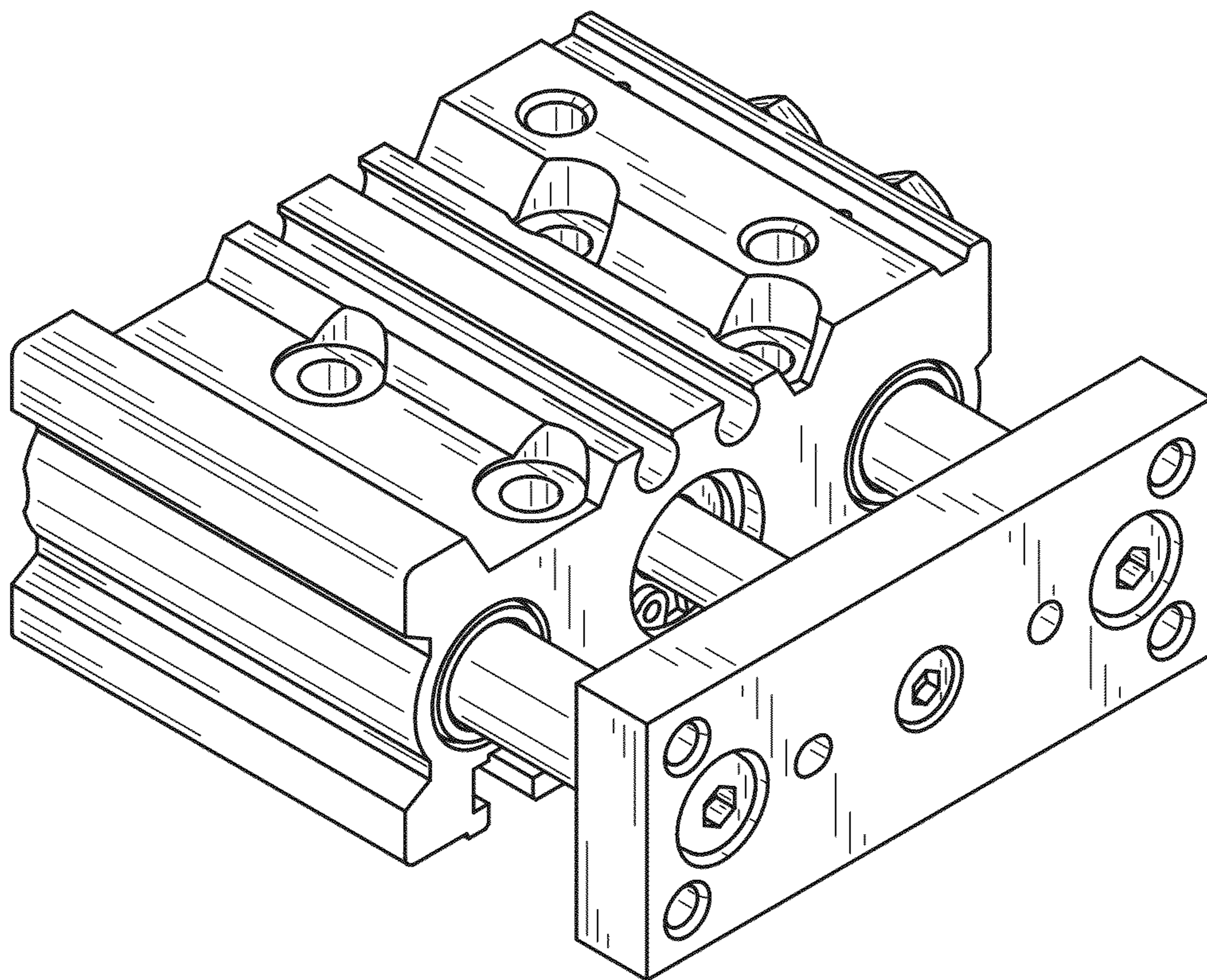


FIG. 10

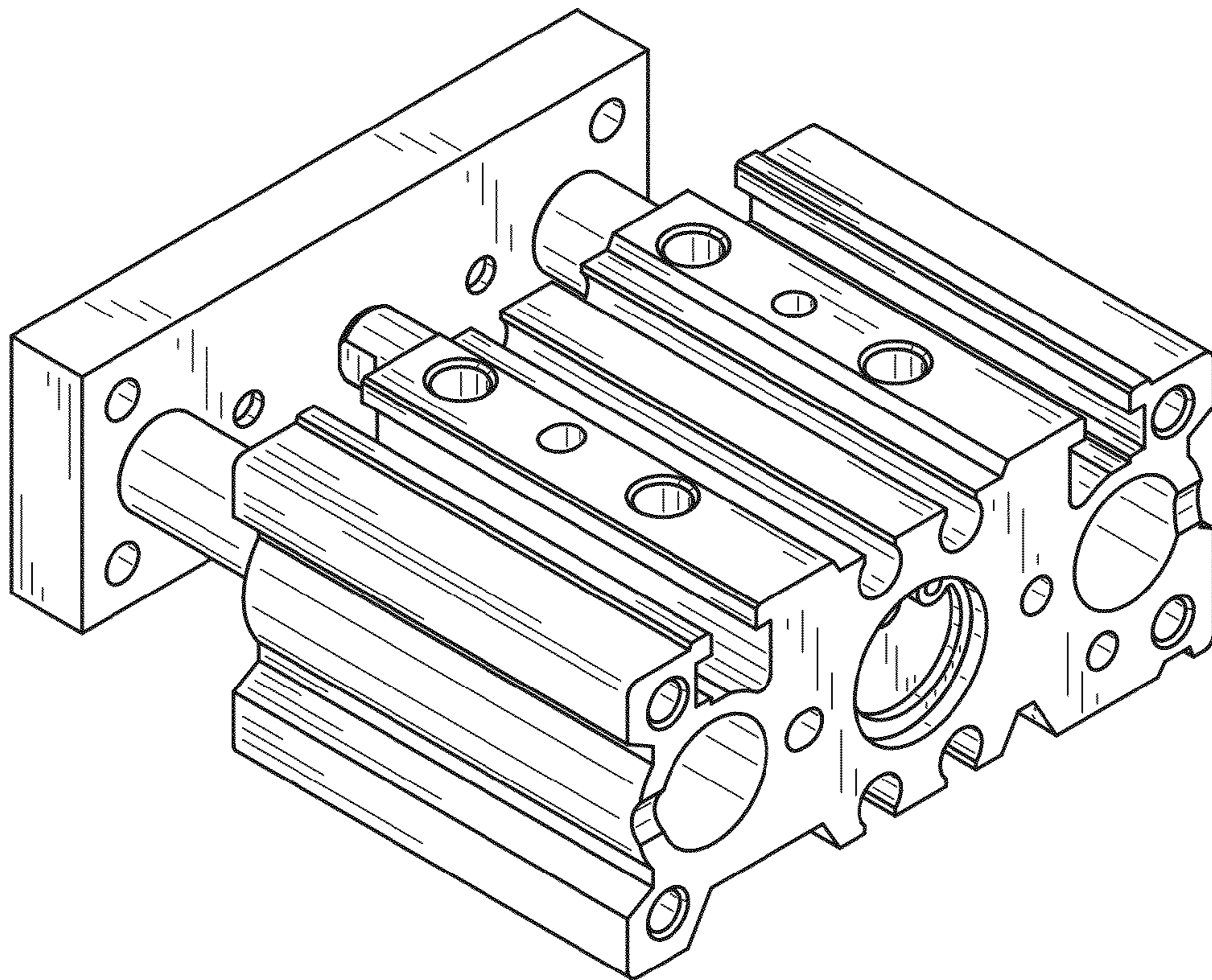


FIG. 11

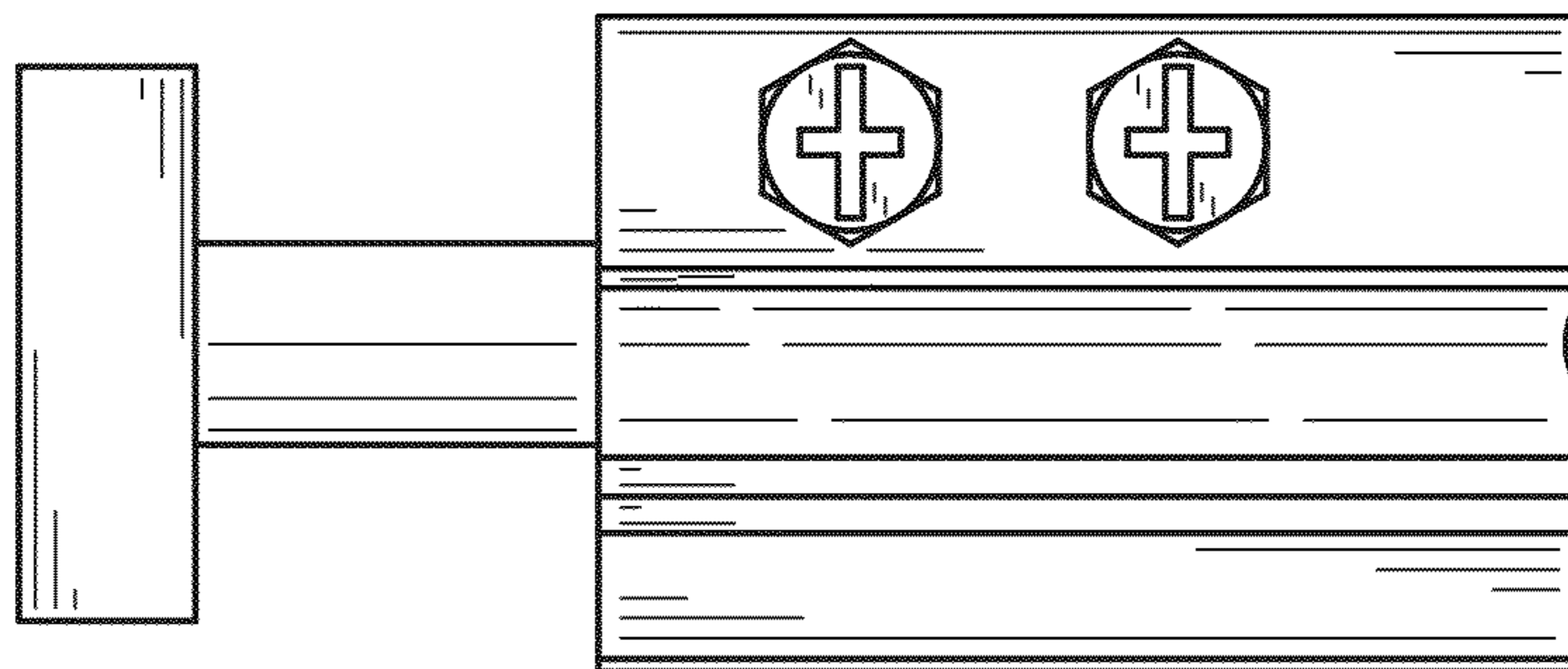


FIG. 12

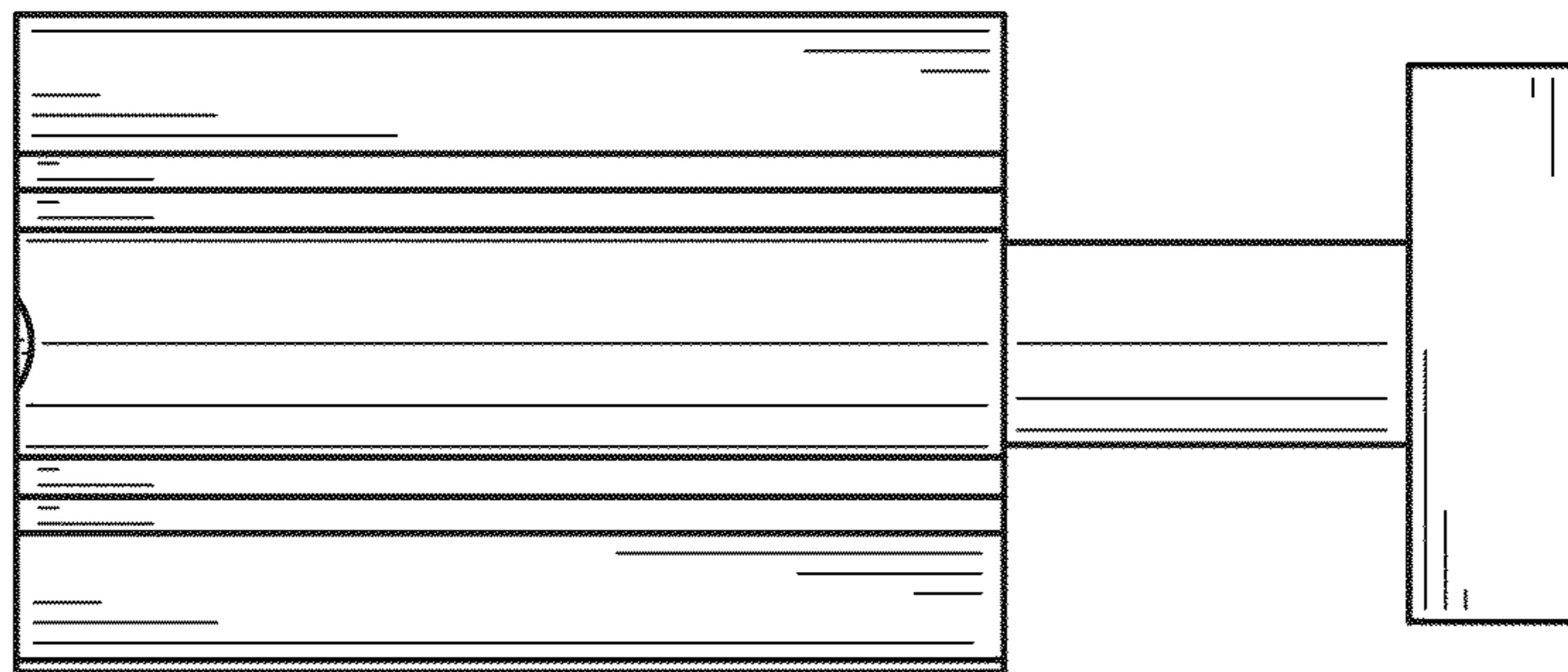


FIG. 13

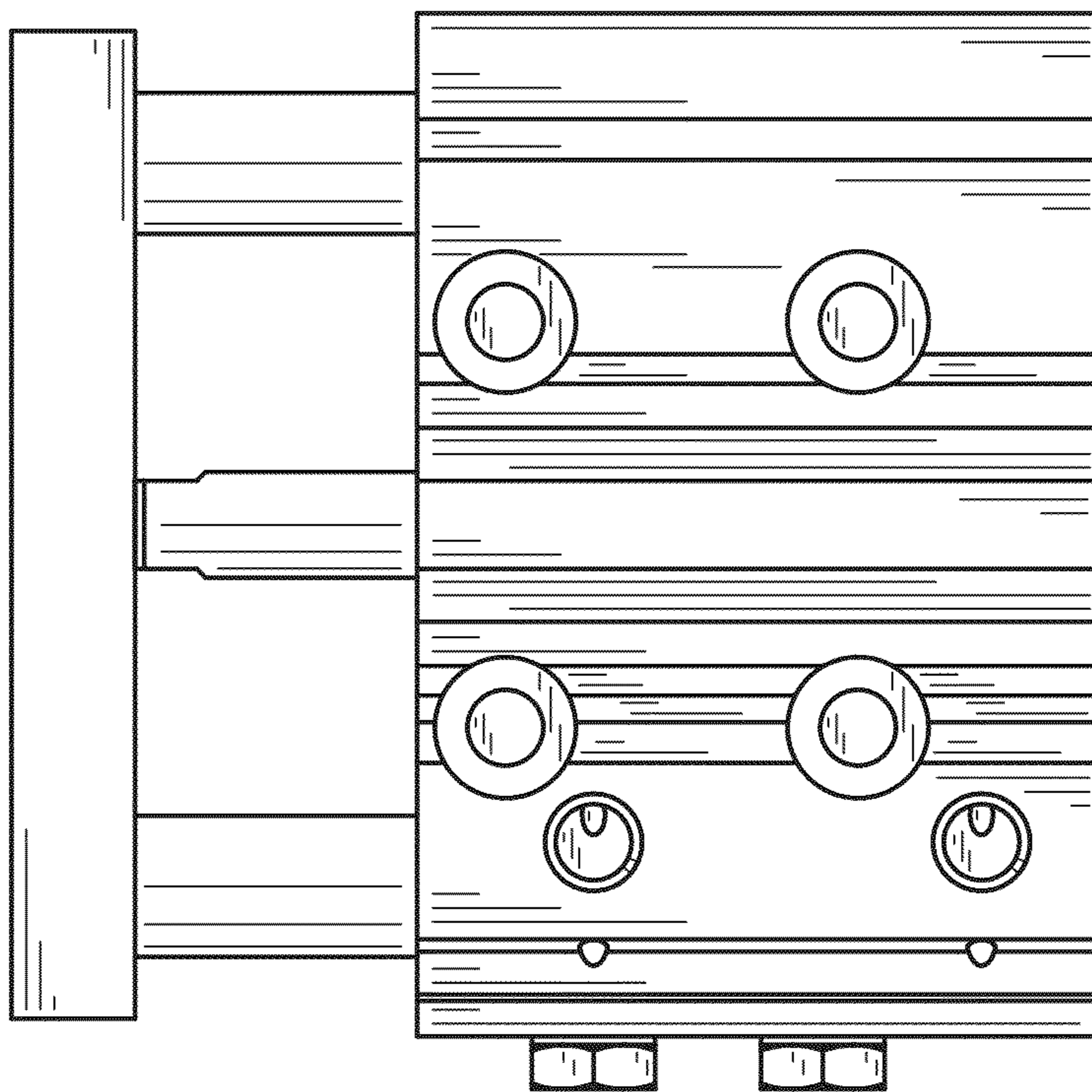


FIG. 14

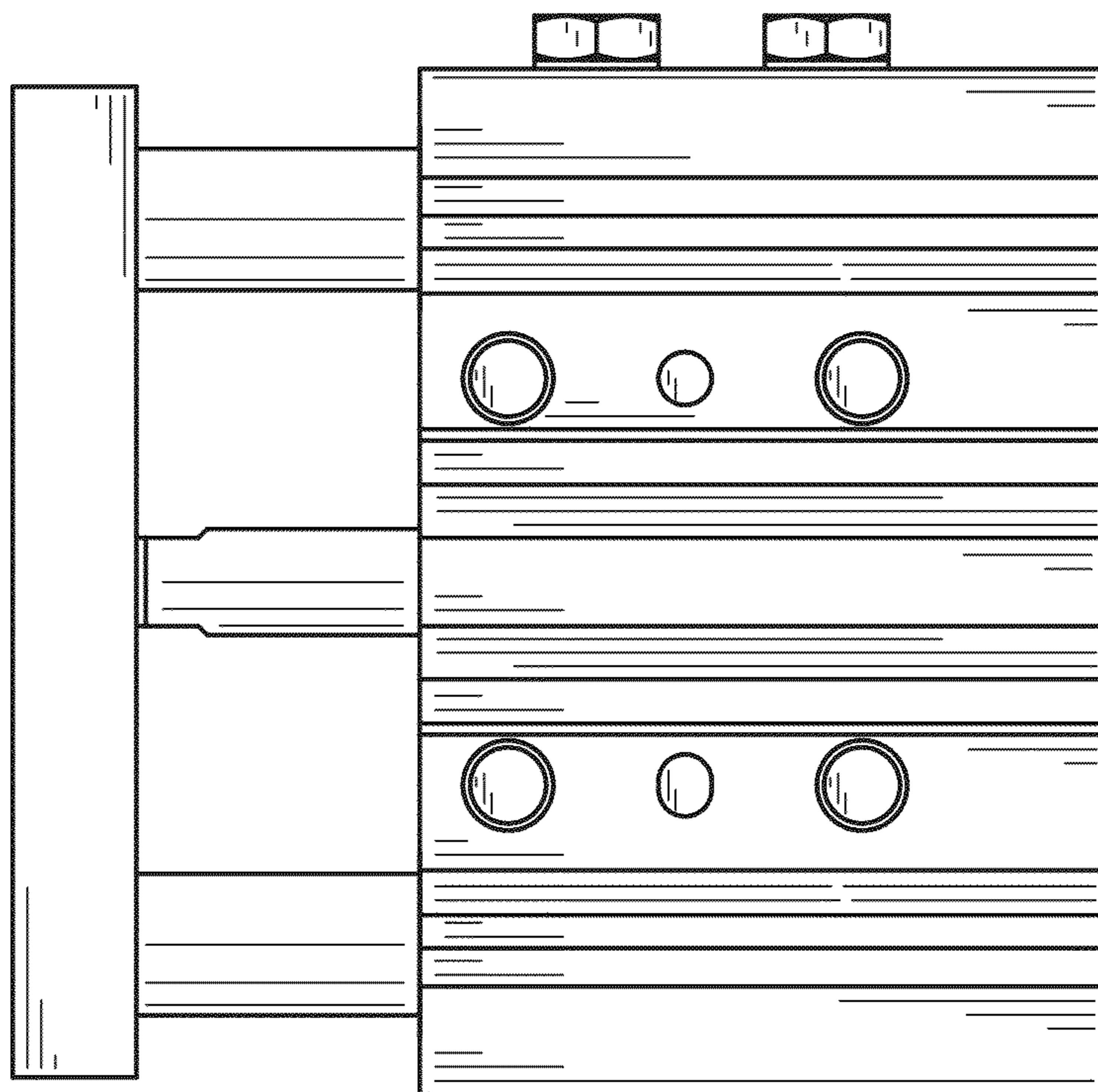


FIG. 15

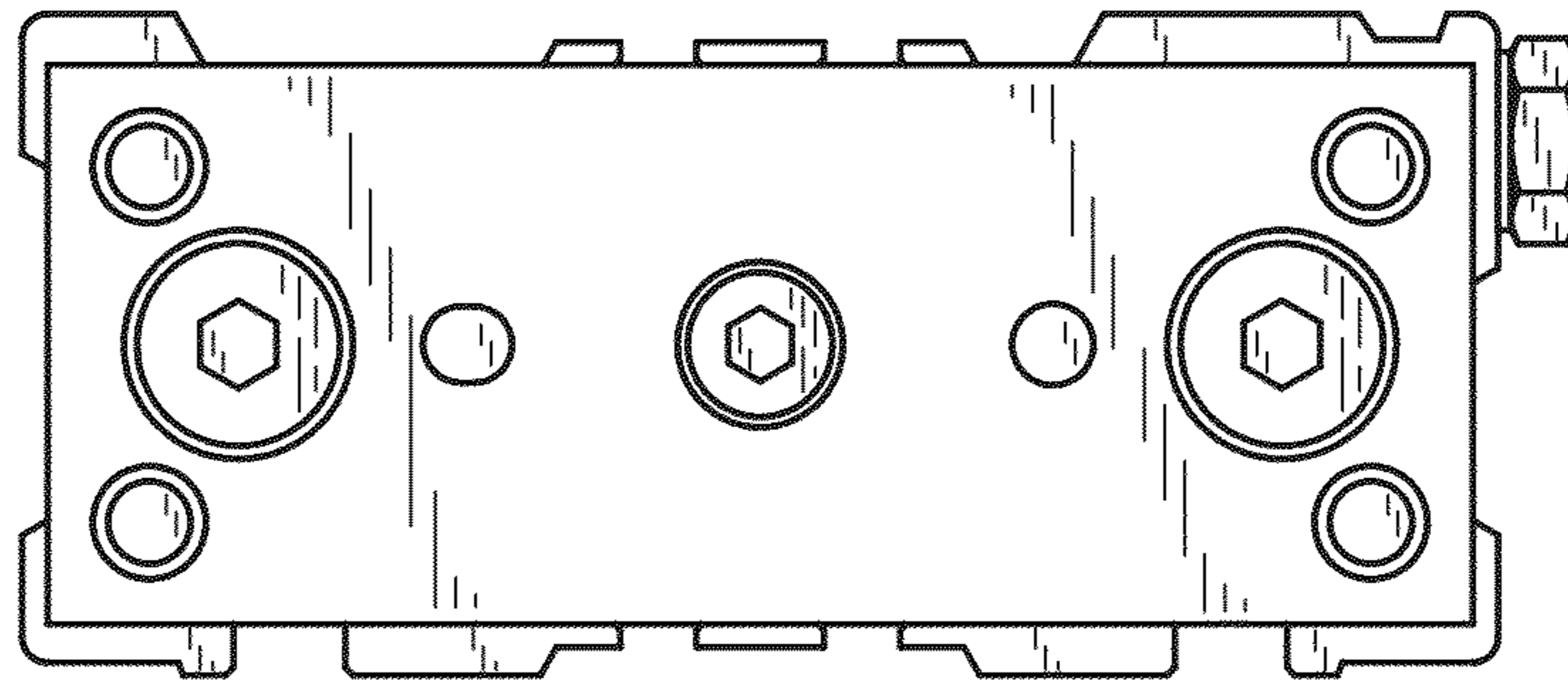


FIG. 16

