



US00D687514S

(12) **United States Design Patent**
Burnell et al.

(10) **Patent No.:** **US D687,514 S**

(45) **Date of Patent:** **** Aug. 6, 2013**

(54) **COMBINATION WATER SPRINKLER AND ANIMAL CHEW TOY**

(71) Applicants: **Brian Burnell**, Noblesville, IN (US);
Kylie Burnell, Noblesville, IN (US)

(72) Inventors: **Brian Burnell**, Noblesville, IN (US);
Kylie Burnell, Noblesville, IN (US)

(**) Term: **14 Years**

(21) Appl. No.: **29/434,259**

(22) Filed: **Oct. 11, 2012**

(51) **LOC (9) Cl.** **23-01**

(52) **U.S. Cl.**
USPC **D23/214**

(58) **Field of Classification Search**
USPC . D23/213, 214, 215, 216; D30/160; 239/566,
239/548, 542, 242

See application file for complete search history.

(56) **References Cited**

U.S. PATENT DOCUMENTS

1,758,767	A	*	5/1930	Taggart	239/556
D253,842	S	*	1/1980	Addison et al.	D23/214
D383,883	S	*	9/1997	Langley	D32/35
D413,963	S	*	9/1999	Krueger	D23/214
D414,842	S	*	10/1999	Krueger	D23/214

* cited by examiner

Primary Examiner — Robin V Webster

(74) *Attorney, Agent, or Firm* — Gulf Coast Intellectual Property Group

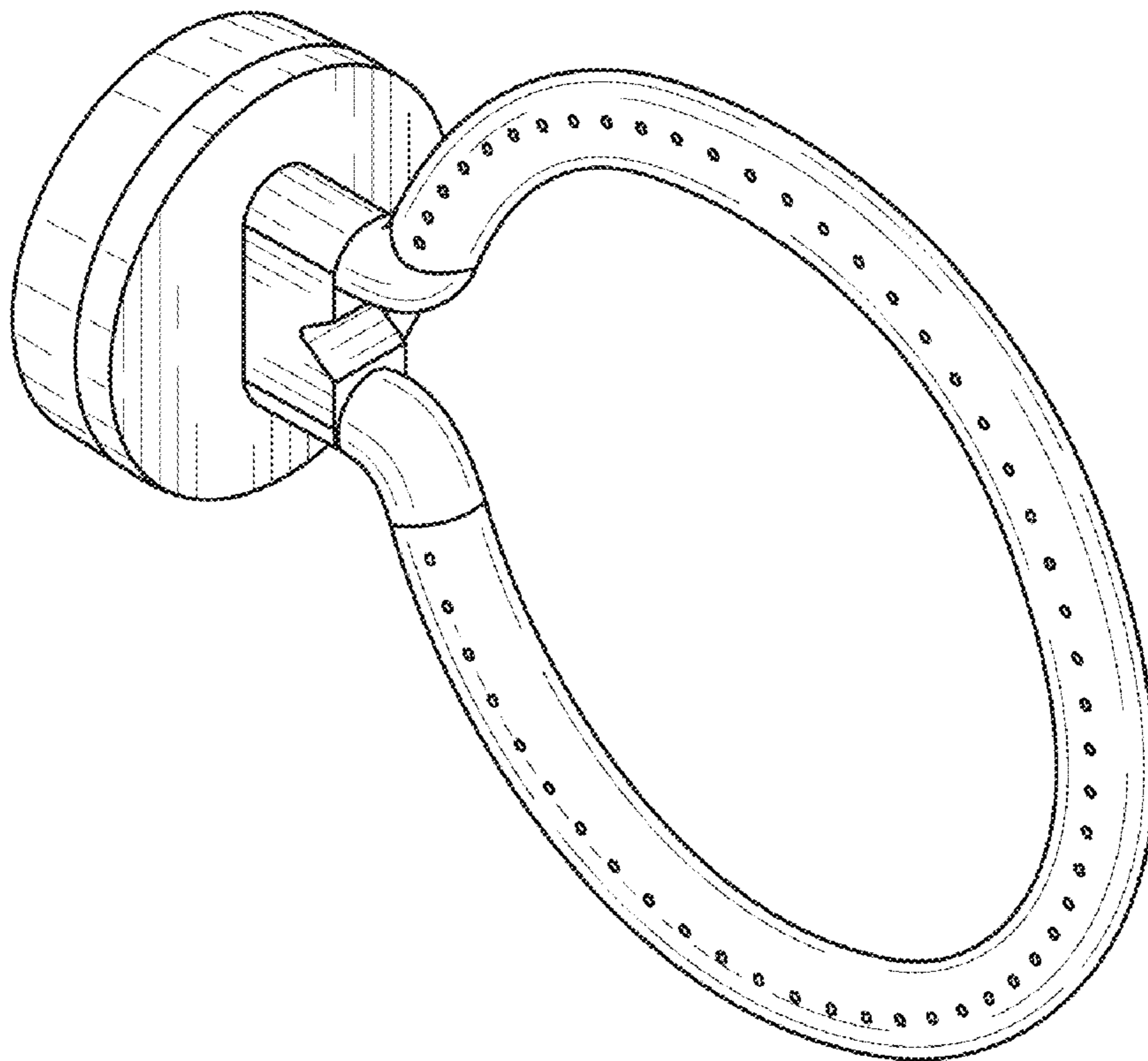
(57) **CLAIM**

The ornamental design for a combination water sprinkler and animal chew toy, as shown and described.

DESCRIPTION

FIG. 1 is a perspective view of the present invention; and FIG. 2 is a top view of the present invention; and FIG. 3 is a bottom view of the present invention; and FIG. 4 is a front end view of the present invention; and, FIG. 5 is a rear end view of the present invention.

1 Claim, 2 Drawing Sheets



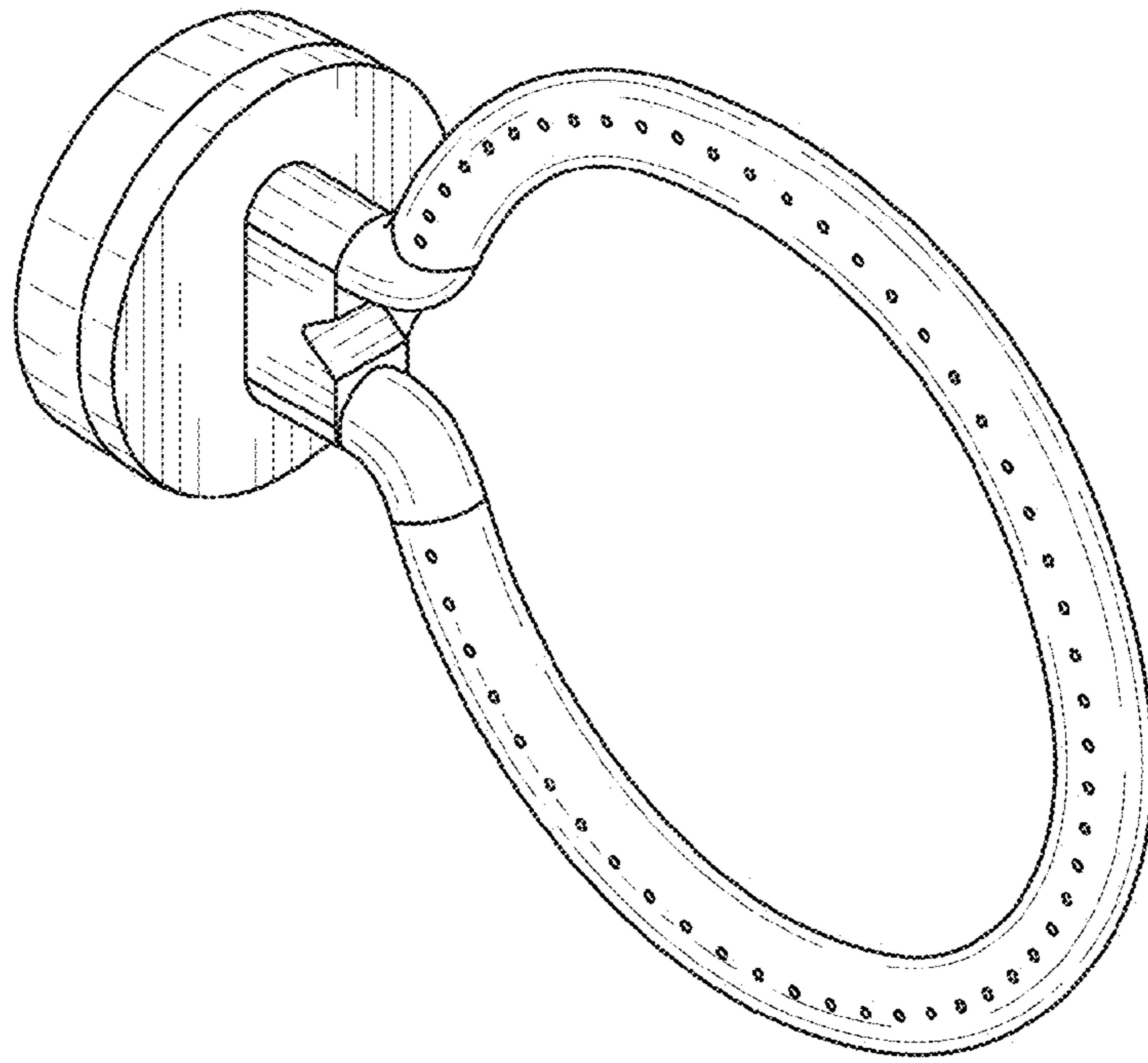


FIG. 1

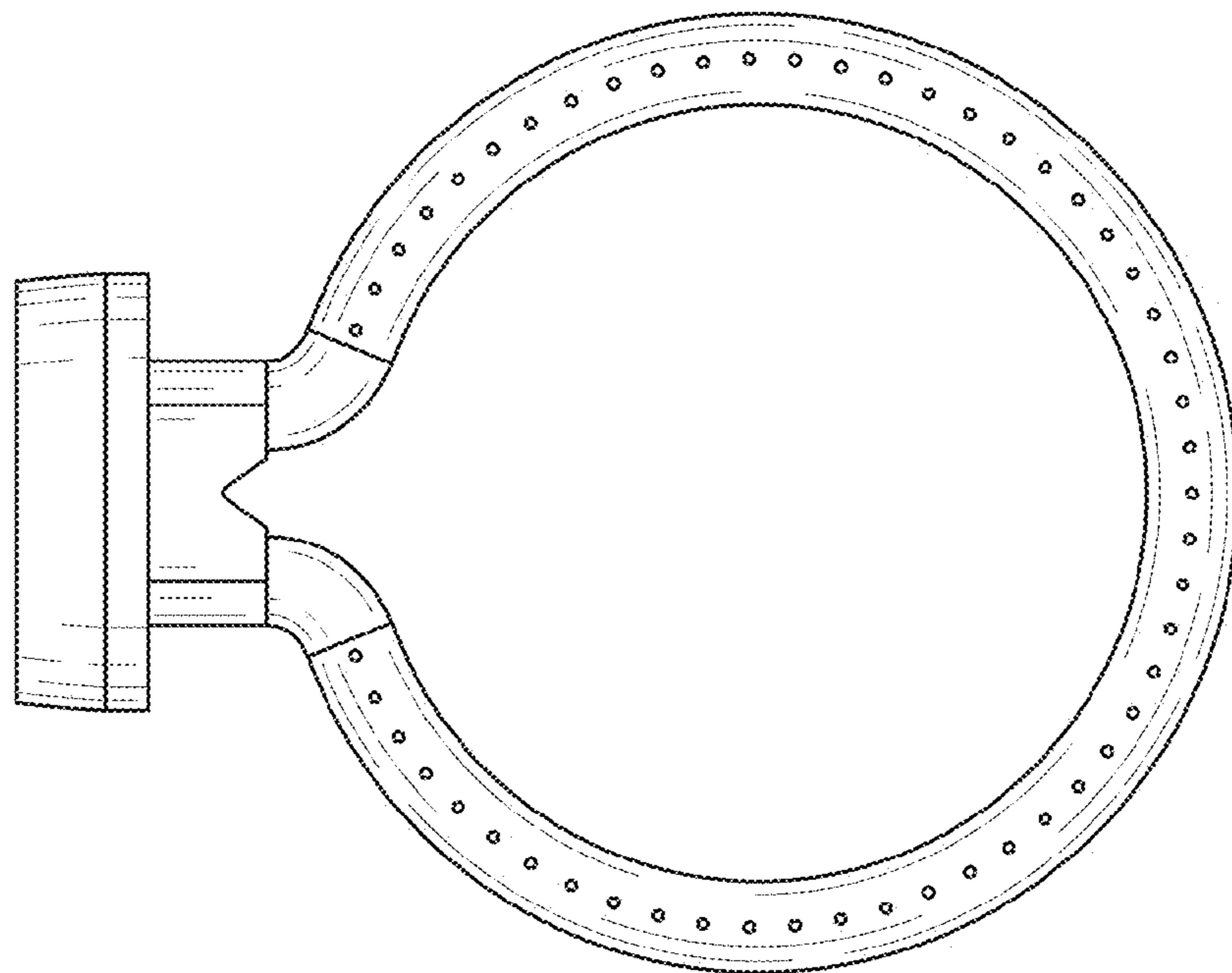


FIG. 2

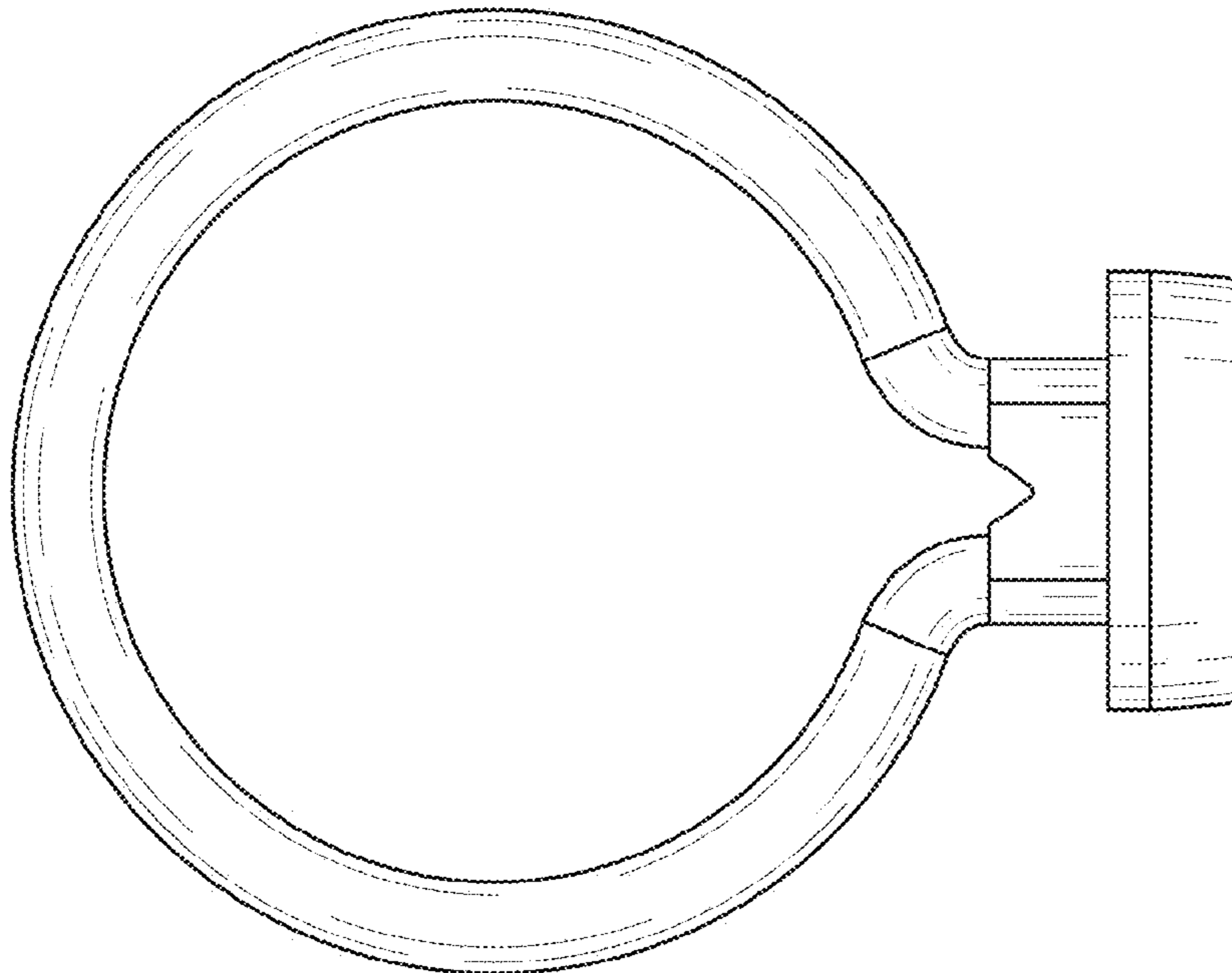


FIG. 3

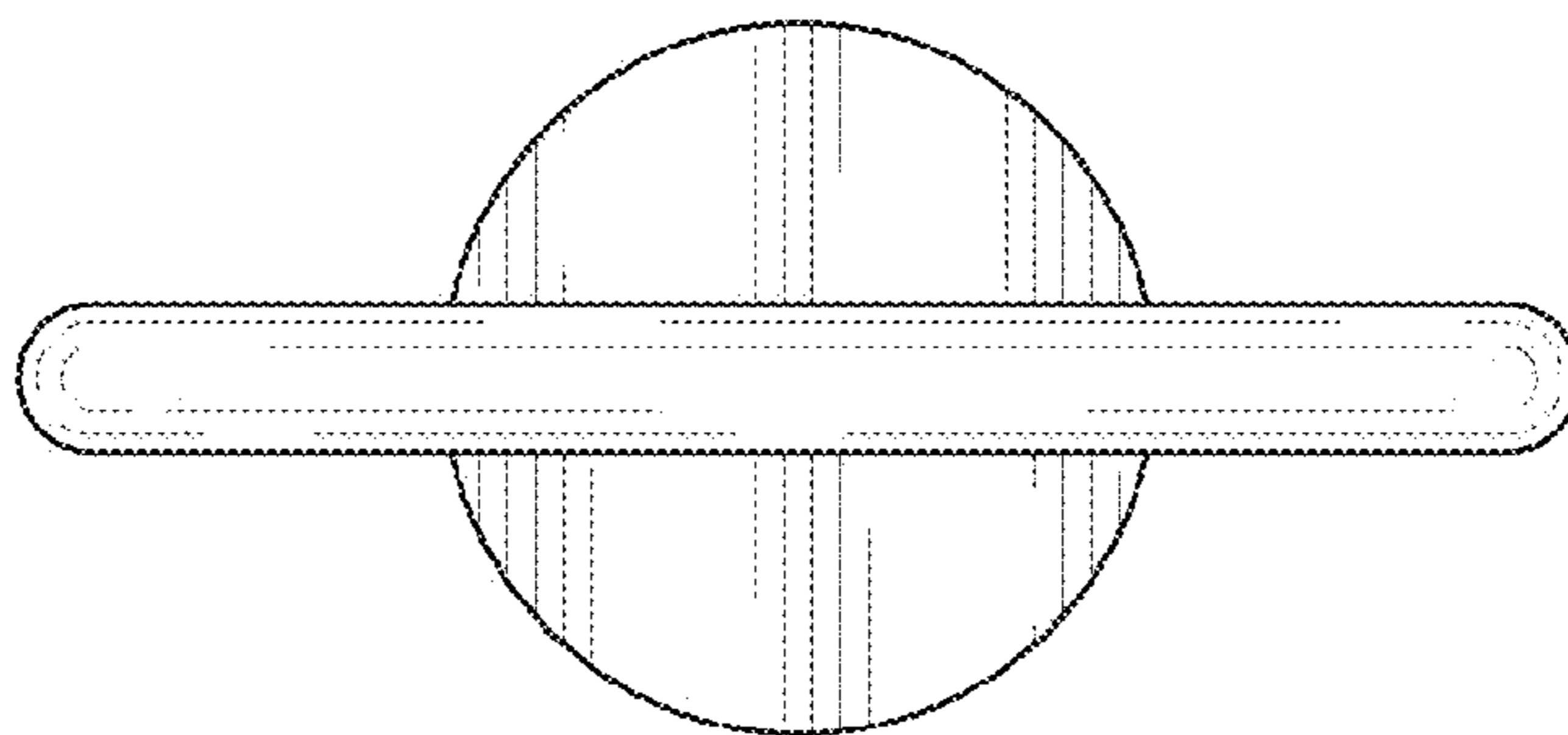


FIG. 4

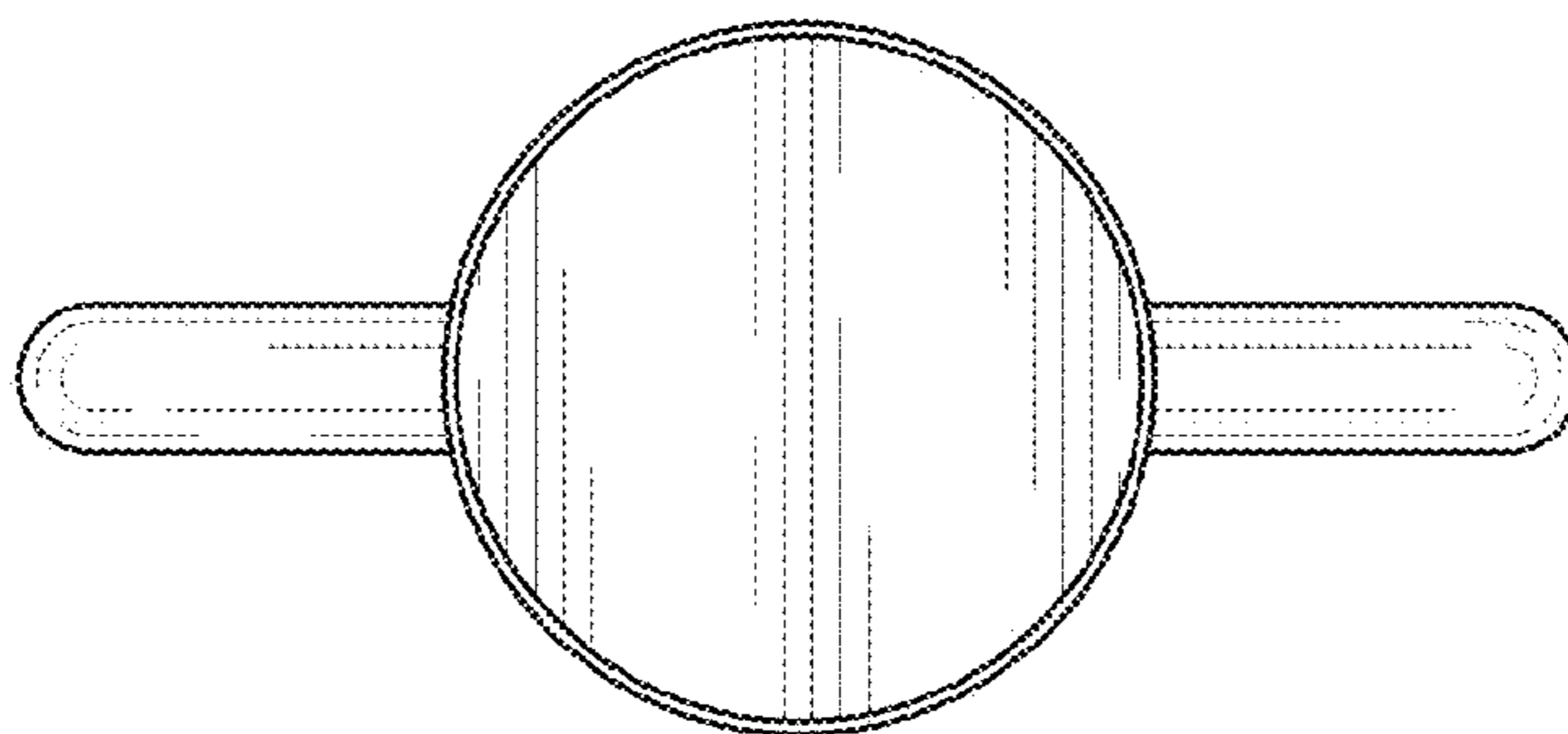


FIG. 5