



US00D687509S

(12) **United States Design Patent**  
**Iannello et al.**

(10) **Patent No.:** **US D687,509 S**

(45) **Date of Patent:** **\*\* Aug. 6, 2013**

(54) **WEB MOUNTING DEVICE**

(75) Inventors: **Christopher A J Iannello**, Rolling Meadows, IL (US); **Martin J. Nilsen**, Hampshire, IL (US)

(73) Assignee: **Illinois Tool Works Inc.**, Glenview, IL (US)

(\*\*) Term: **14 Years**

(21) Appl. No.: **29/424,330**

(22) Filed: **Jun. 11, 2012**

(51) **LOC (9) Cl.** ..... **22-01**

(52) **U.S. Cl.**  
USPC ..... **D22/108; D11/200**

(58) **Field of Classification Search**  
USPC ..... D22/108; D11/1-2, 200-220; D8/356, D8/382-383; 24/85, 94, 68 R, 69 ST, 163 R, 24/31 R, 164, 185-186, 349, 455; D3/214-215, D3/221, 262, 327-328; 224/150; D29/101.1, D29/101.2

See application file for complete search history.

(56) **References Cited**

**U.S. PATENT DOCUMENTS**

2,643,431	A *	6/1953	Schwarz	.....	24/200
4,309,799	A *	1/1982	Noda	.....	24/315
D301,566	S *	6/1989	Heiberger	.....	D11/218
D486,093	S *	2/2004	Tobergte	.....	D11/218
D508,661	S *	8/2005	Kaneko et al.	.....	D11/218
D510,296	S *	10/2005	Uehara	.....	D11/216
D519,411	S *	4/2006	Yoshiguchi	.....	D11/218
D562,728	S	2/2008	Downing et al.		

D608,688	S *	1/2010	Dalzell et al.	.....	D11/218
D635,891	S	4/2011	Grimm et al.		
D636,047	S *	4/2011	Larson et al.	.....	D22/108
D670,599	S *	11/2012	Shaanan et al.	.....	D11/218
D670,600	S *	11/2012	Shaanan	.....	D11/218

**OTHER PUBLICATIONS**

Sample of Command Arms Rotating Picatinny Rail Belt Clip.  
US Department of Defense—Military Standard-Dimensioning of Accessory Mounting Rail For Small Arms Weapons.

\* cited by examiner

*Primary Examiner* — Michael A Pratt

(74) *Attorney, Agent, or Firm* — Mark W. Croll; Paul F. Donovan

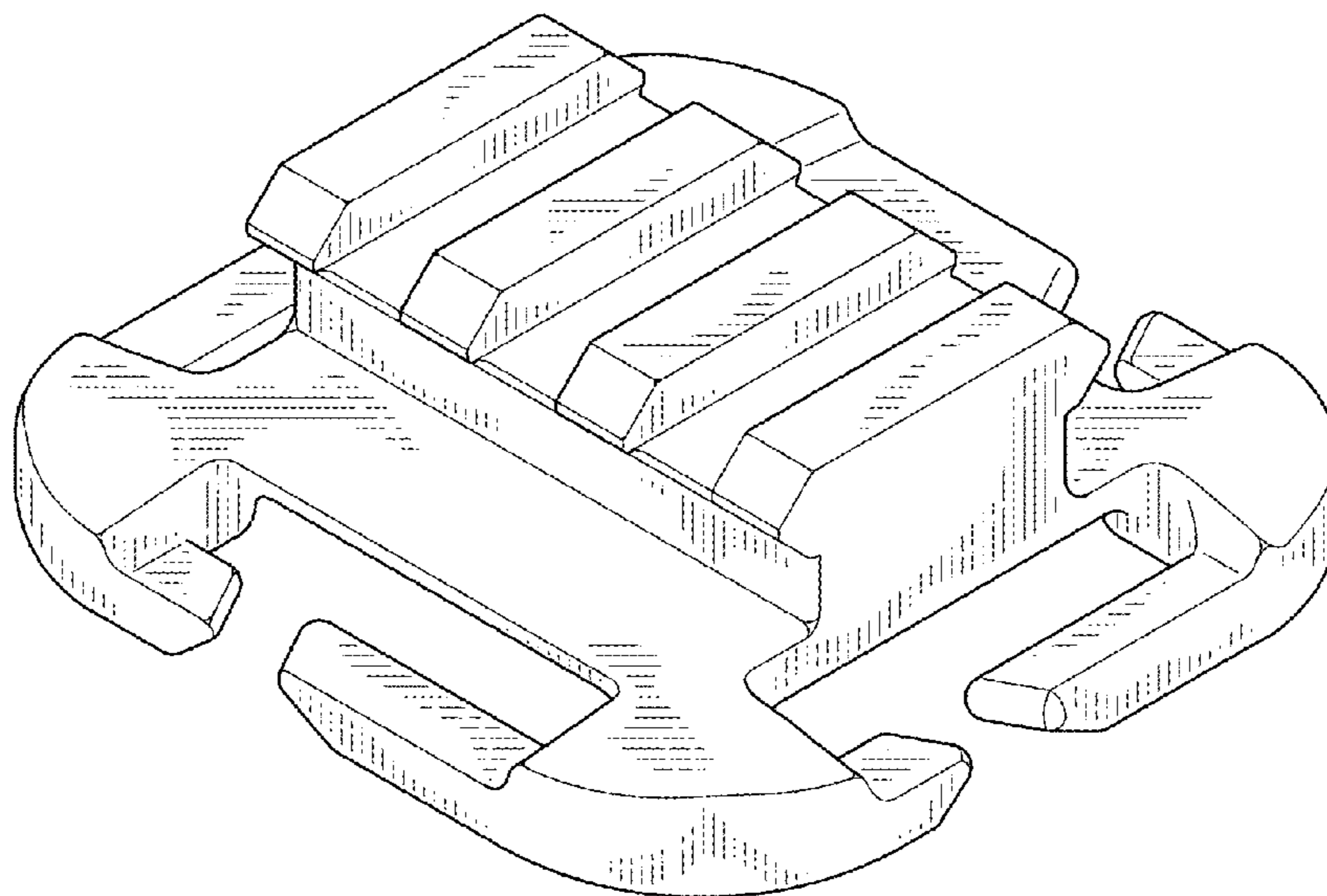
(57) **CLAIM**

The ornamental design for a web mounting device, as shown and described.

**DESCRIPTION**

FIG. 1 is a perspective view of a web mounting device showing the new design;  
FIG. 2 is a top view thereof;  
FIG. 3 is a bottom view thereof;  
FIG. 4 is a front view thereof;  
FIG. 5 is a back view thereof;  
FIG. 6 is a right side view thereof; and,  
FIG. 7 is a left side view thereof.

**1 Claim, 4 Drawing Sheets**



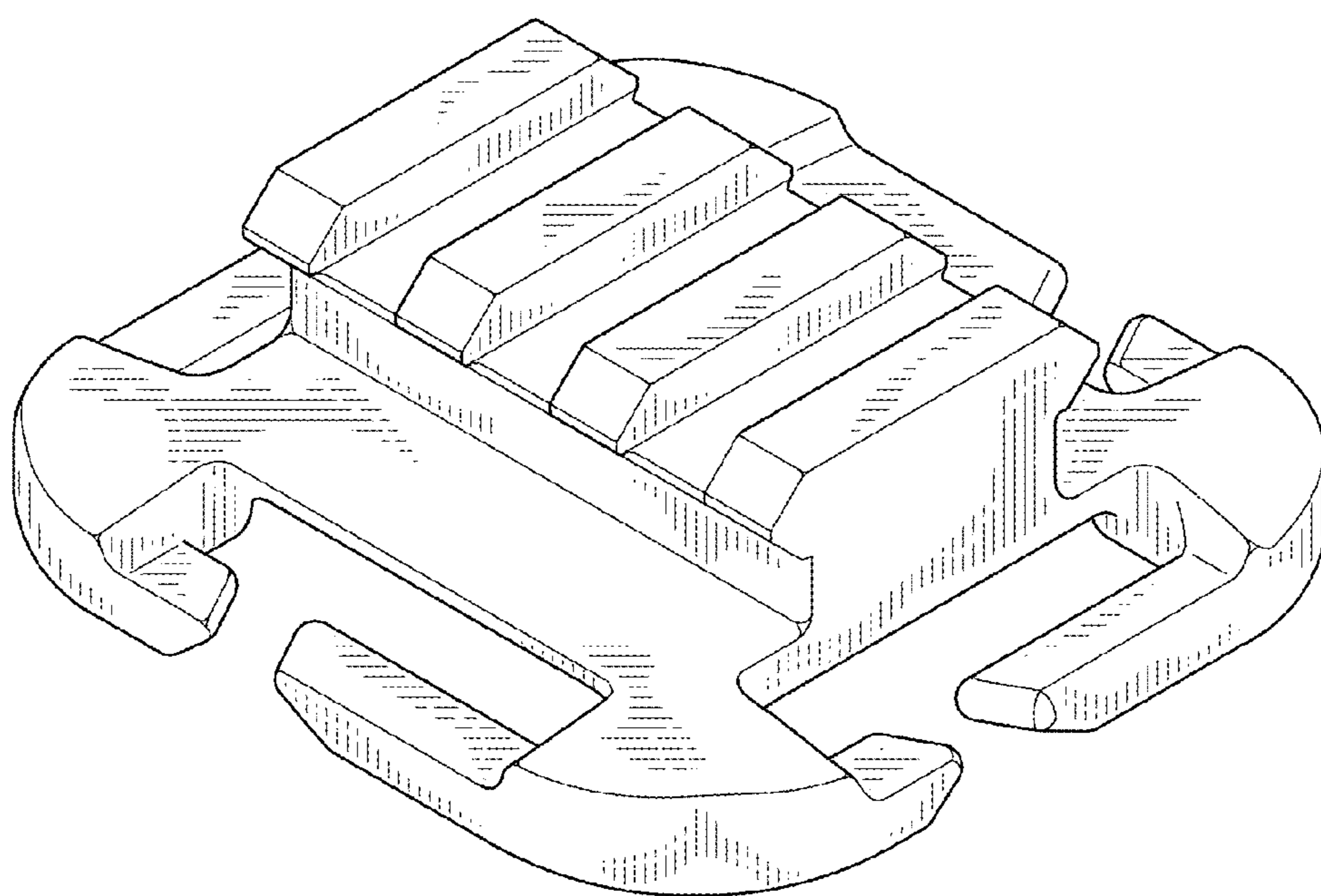


FIG. 1

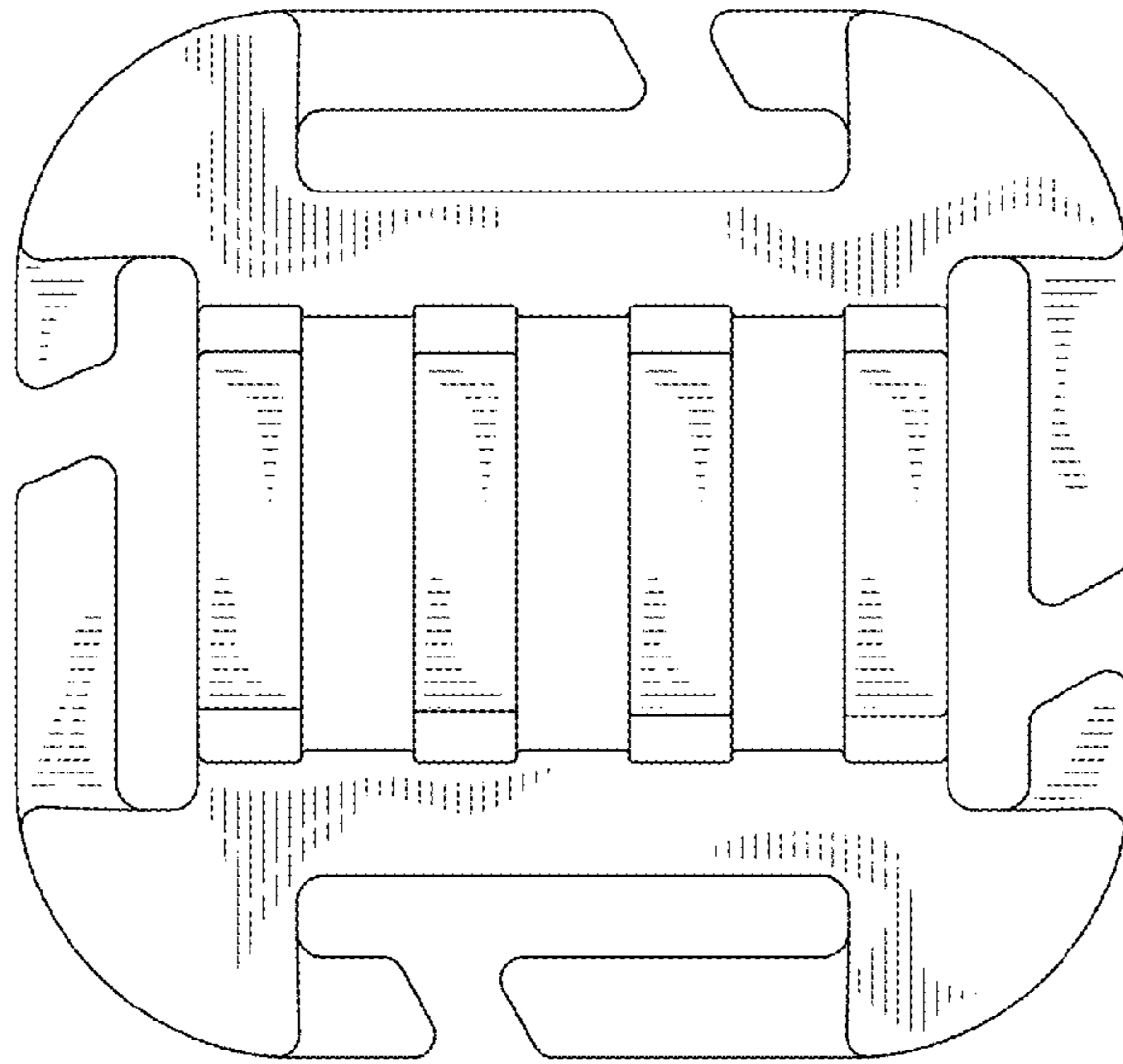


FIG. 2

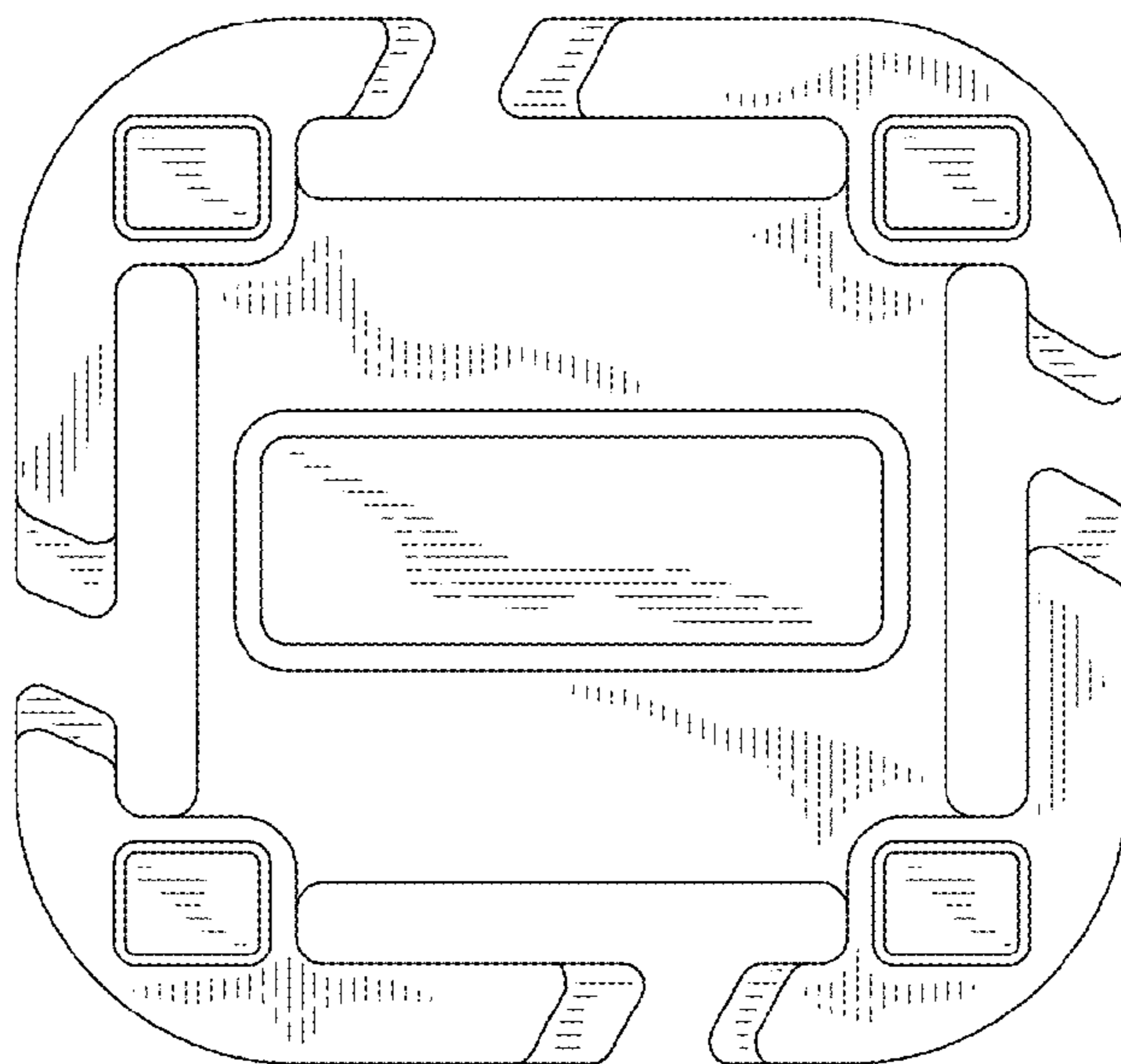


FIG. 3

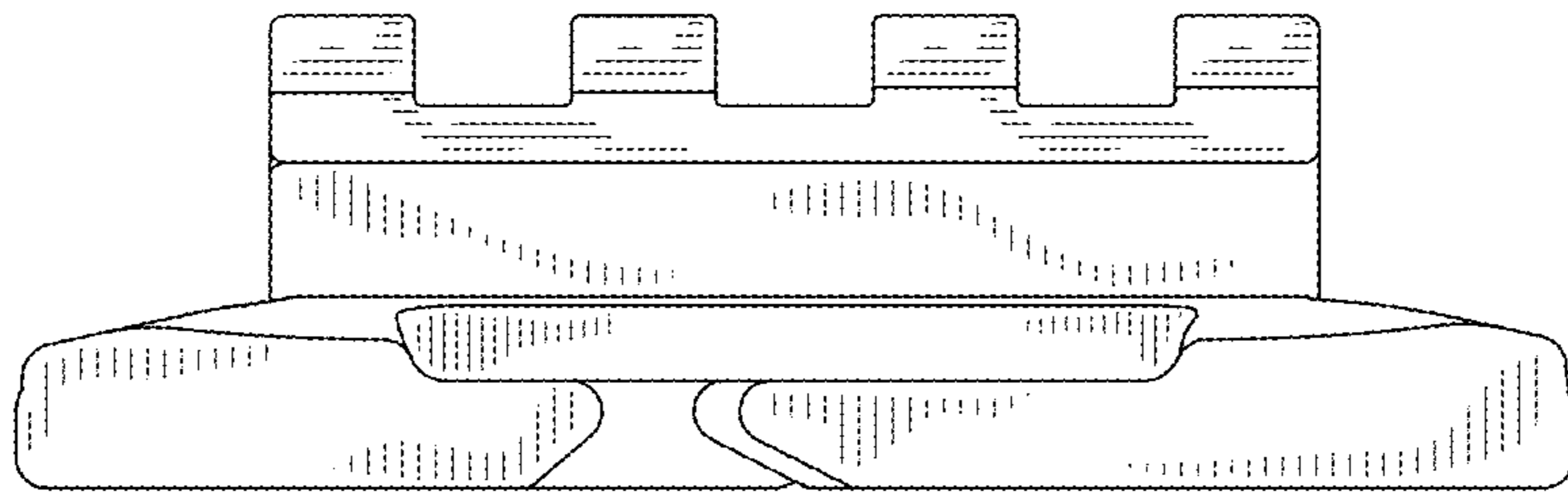


FIG. 4

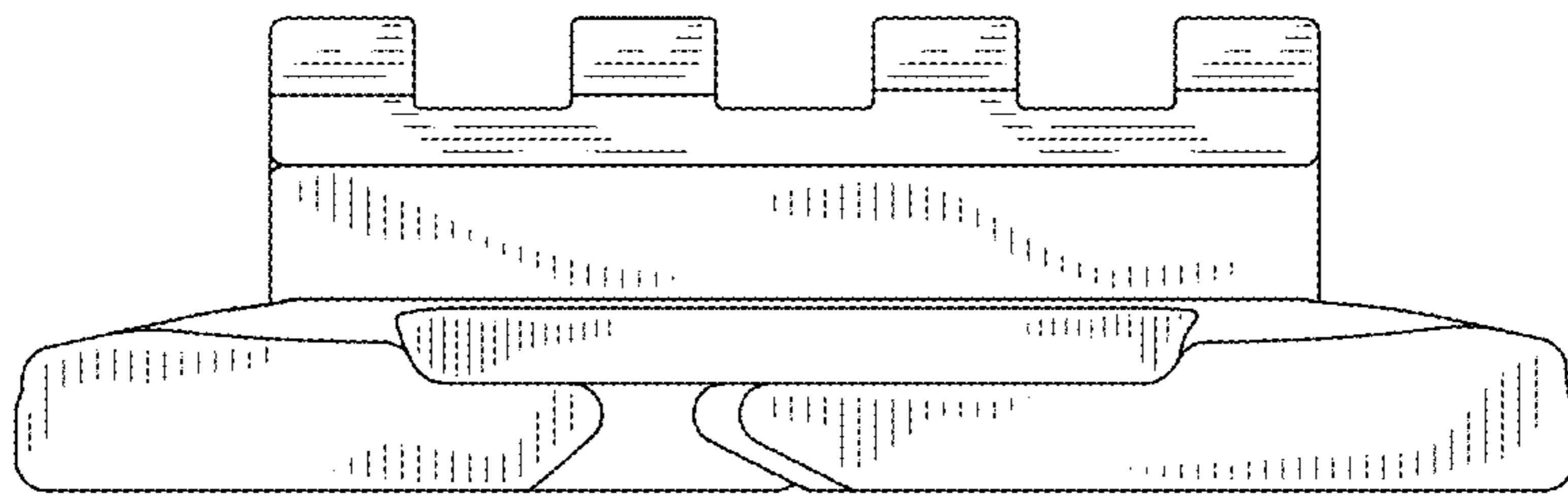


FIG. 5

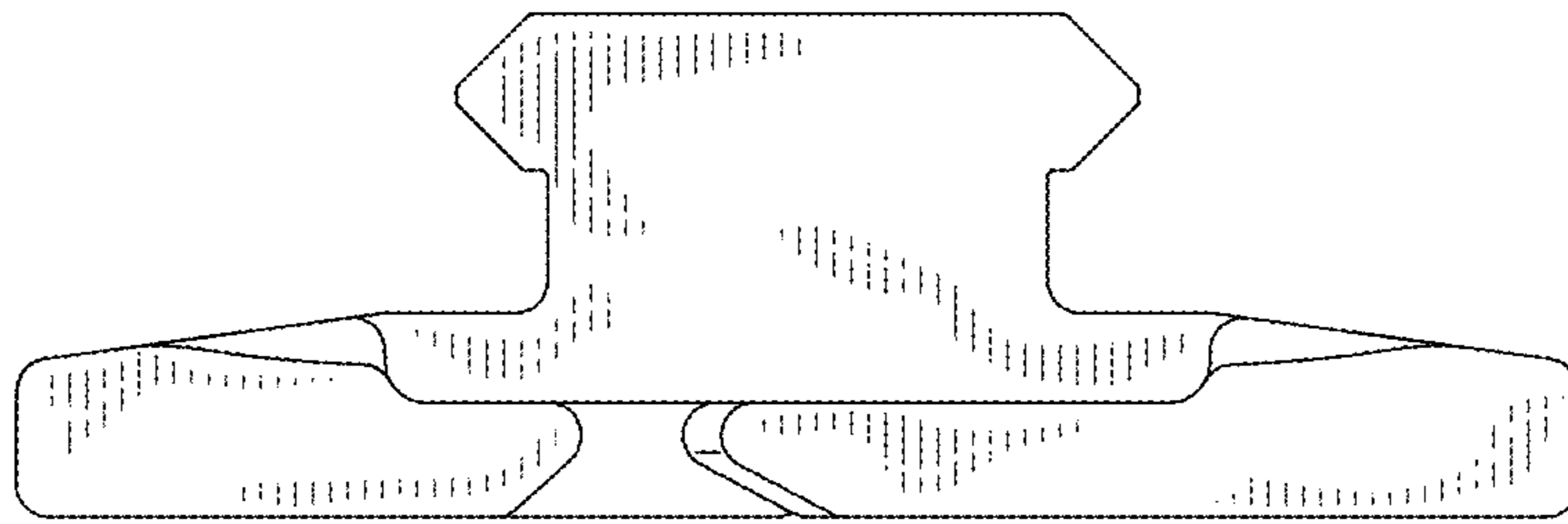


FIG. 6

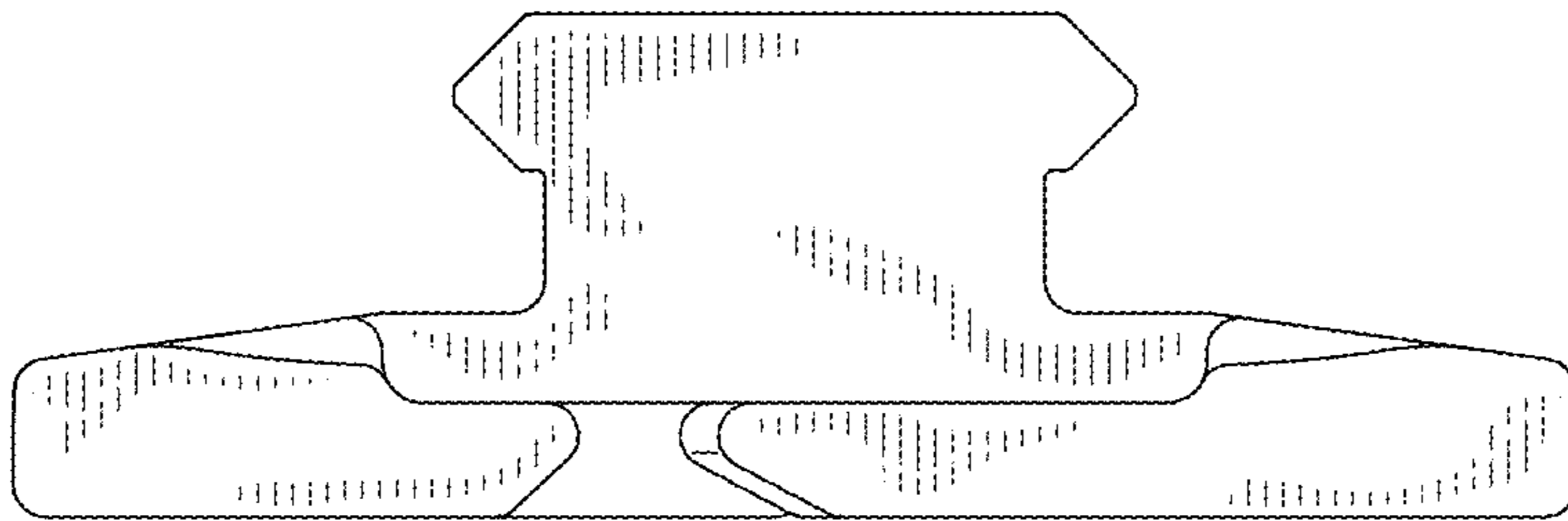


FIG. 7