



US00D687508S

(12) **United States Design Patent**
Peterman

(10) **Patent No.:** **US D687,508 S**

(45) **Date of Patent:** **** Aug. 6, 2013**

(54) **FIREARM COMPENSATOR**

(76) Inventor: **Eric Peterman**, Croton on Hudson, NY
(US)

(**) Term: **14 Years**

(21) Appl. No.: **29/424,181**

(22) Filed: **Jun. 8, 2012**

(51) **LOC (9) Cl.** **22-01**

(52) **U.S. Cl.**
USPC **D22/108**

(58) **Field of Classification Search**
USPC D22/103, 108; 42/1.06, 107, 76.02-76.1;
181/223; D21/572-575
See application file for complete search history.

(56) **References Cited**

U.S. PATENT DOCUMENTS

2,845,737	A	8/1958	Hoyer	
4,691,614	A *	9/1987	Leffel et al.	89/14.3
4,715,140	A	12/1987	Rosenwald	
5,076,137	A *	12/1991	Paredes	89/14.3
D328,632	S *	8/1992	Bigwood	D22/108
5,549,030	A *	8/1996	Lespron	89/14.3
5,563,362	A *	10/1996	York	89/14.3
D532,072	S *	11/2006	Price	D22/108
D536,054	S *	1/2007	Price	D22/108
7,194,836	B1	3/2007	Urban	

7,578,090	B1	8/2009	Romaszka	
7,748,306	B1 *	7/2010	Curry et al.	89/14.3
8,132,352	B2 *	3/2012	Lippard	42/111
2009/0064558	A1	3/2009	Woroner	
2011/0030258	A1	2/2011	Fistikchi	

* cited by examiner

Primary Examiner — Michael A Pratt

(74) *Attorney, Agent, or Firm* — Seth Natter; Natter & Natter

(57) **CLAIM**

The ornamental design for a firearm compensator, as shown and described.

DESCRIPTION

FIG. 1 is a front isometric view of a firearm compensator showing my new design;
FIG. 2 is a rear isometric view thereof;
FIG. 3 is a bottom isometric view thereof;
FIG. 4 is a top plan view thereof;
FIG. 5 is a bottom plan view thereof;
FIG. 6 is a front elevation view thereof;
FIG. 7 is a side elevation view thereof; and,
FIG. 8 is a sectional view thereof taken along the plane 8-8 of FIG. 7.

The broken line showings illustrate unclaimed portions of the firearm compensator and the side not illustrated is a mirror image of the side illustrated in FIG. 7.

1 Claim, 3 Drawing Sheets

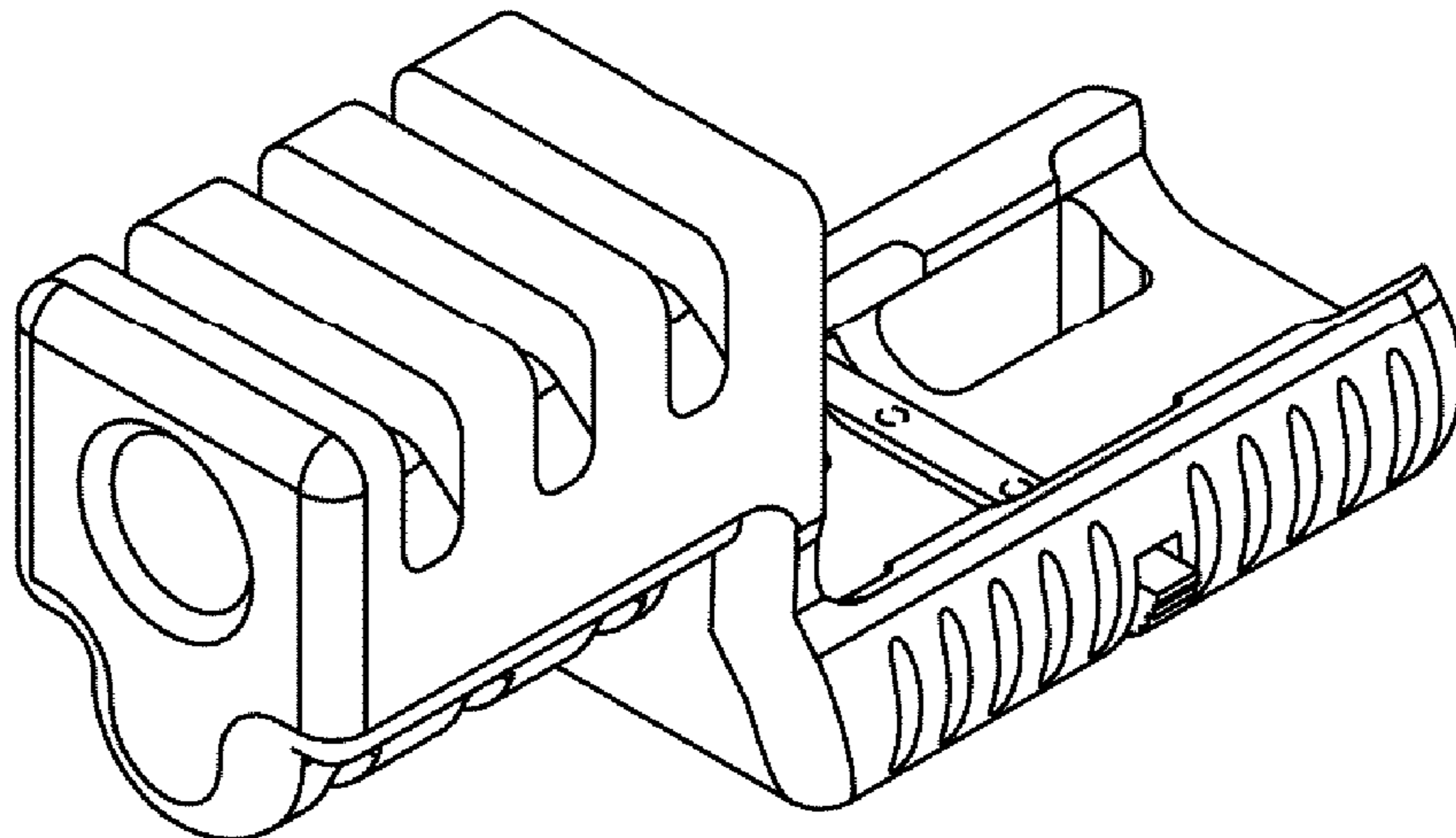


FIG. 1

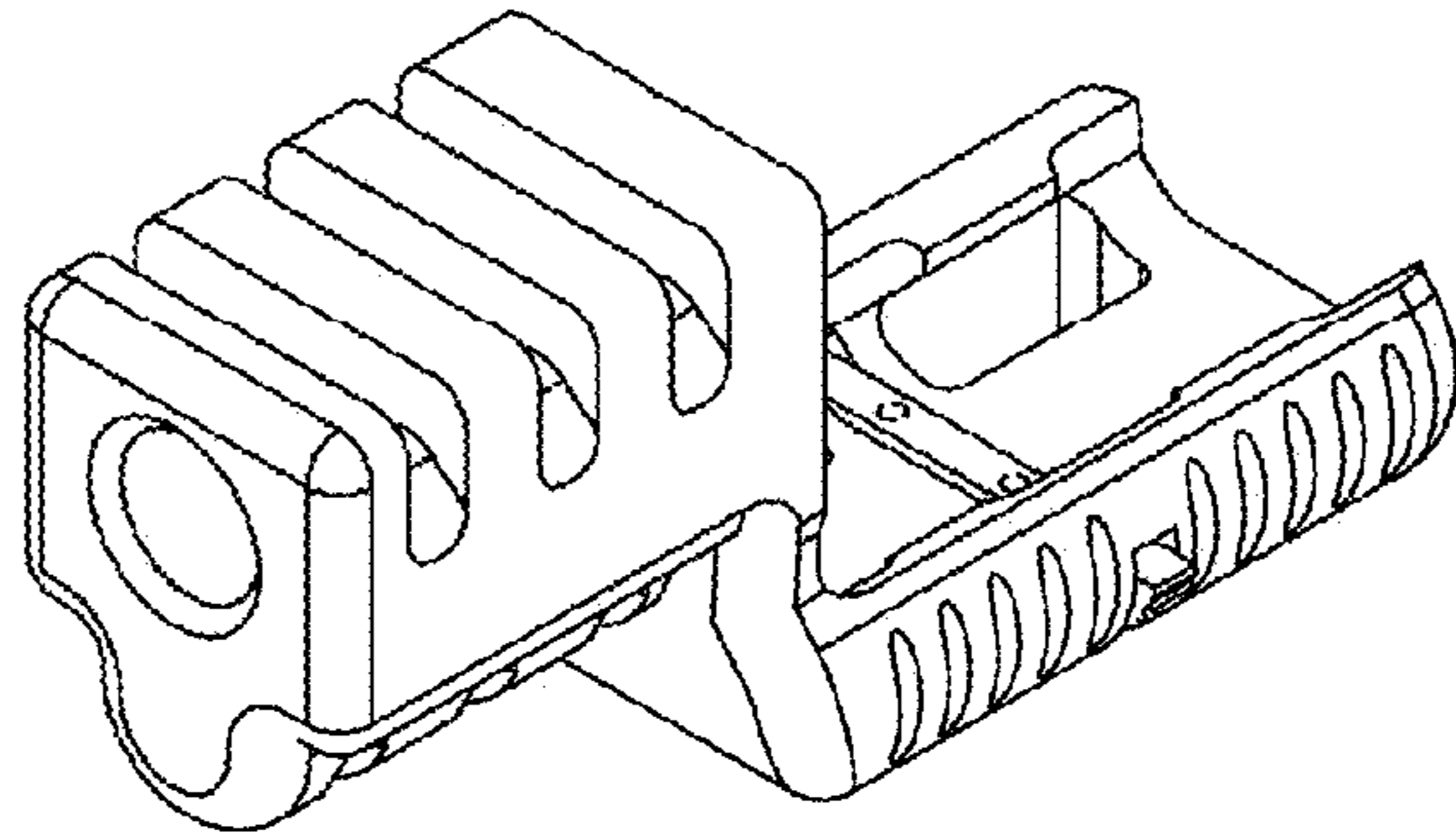


FIG. 2

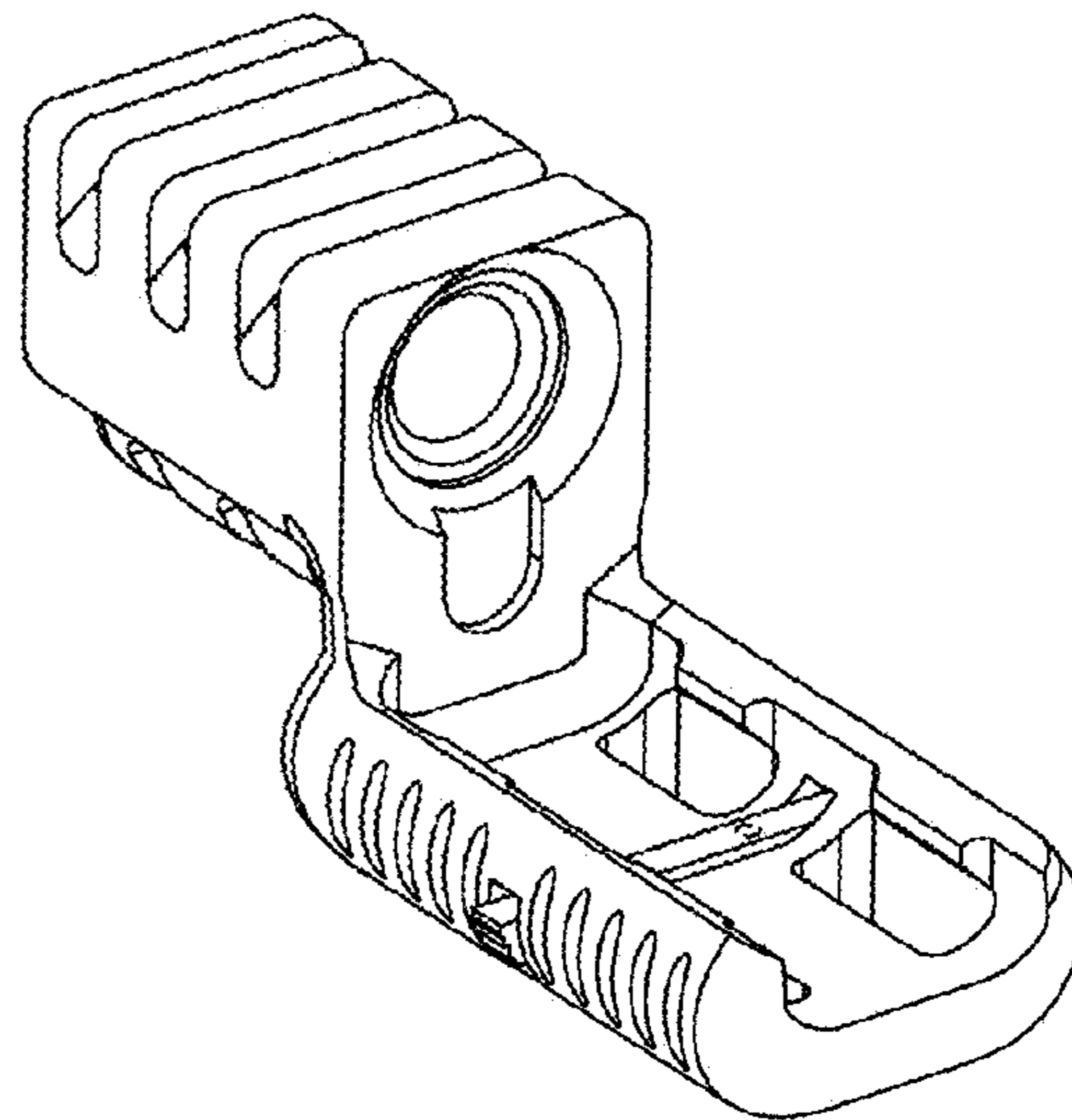


FIG. 3

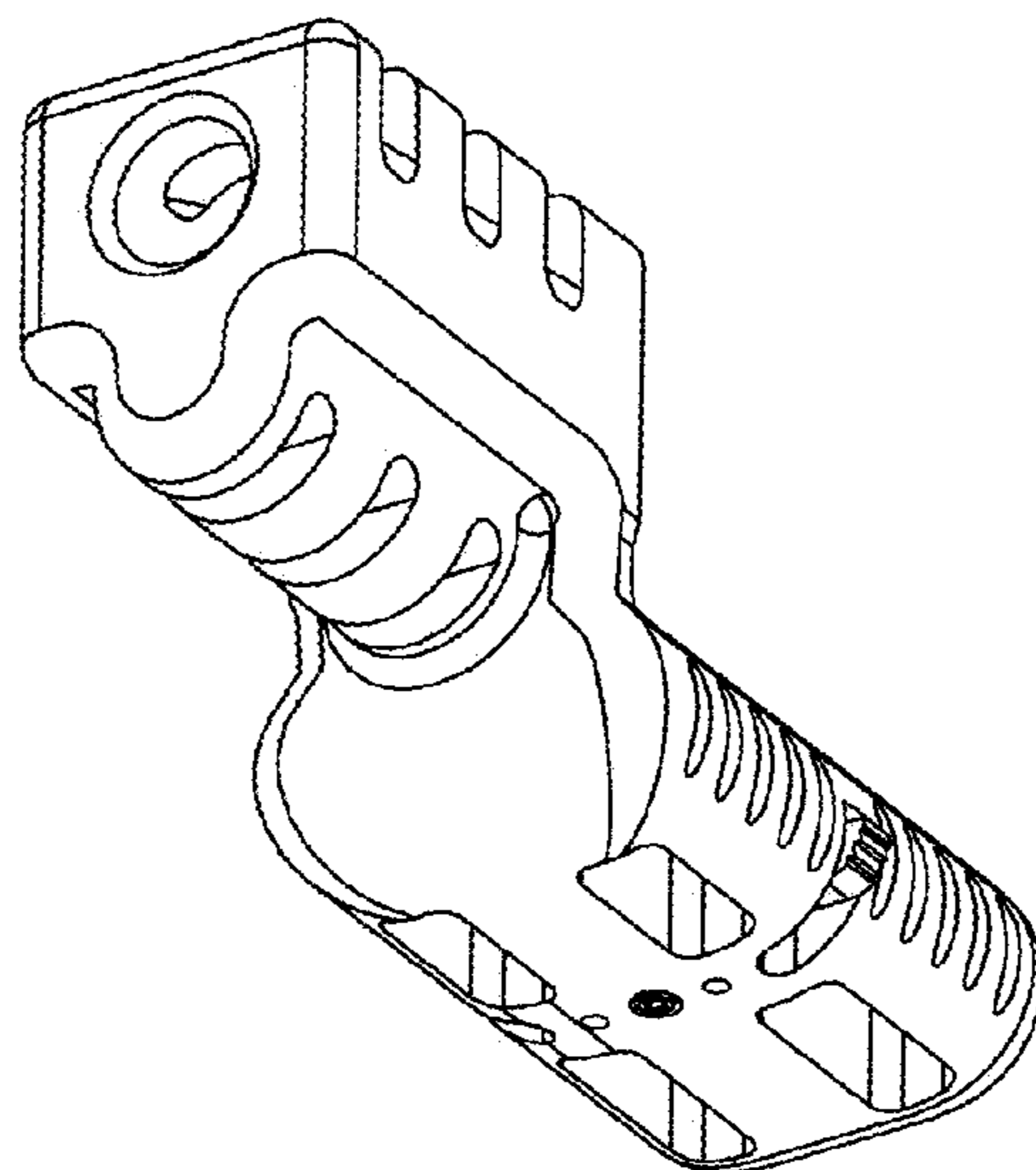


FIG. 4

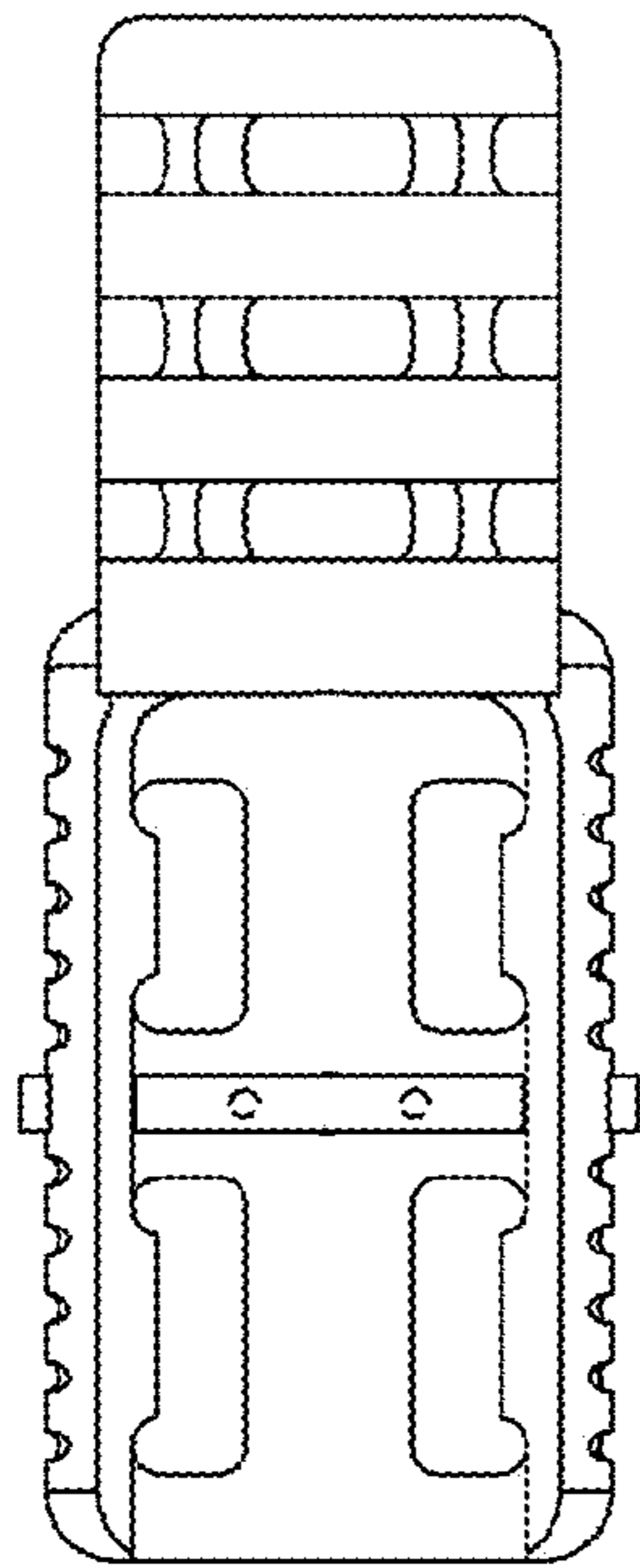


FIG. 5

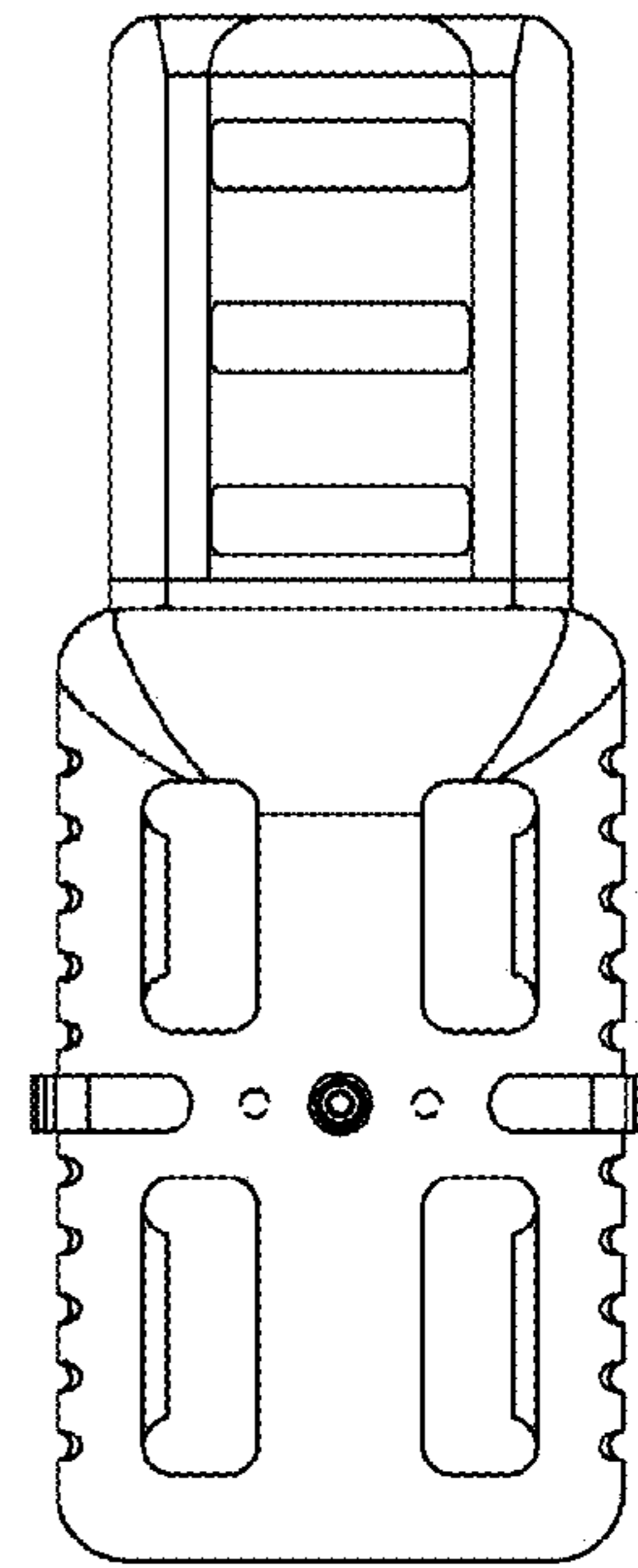


FIG. 6

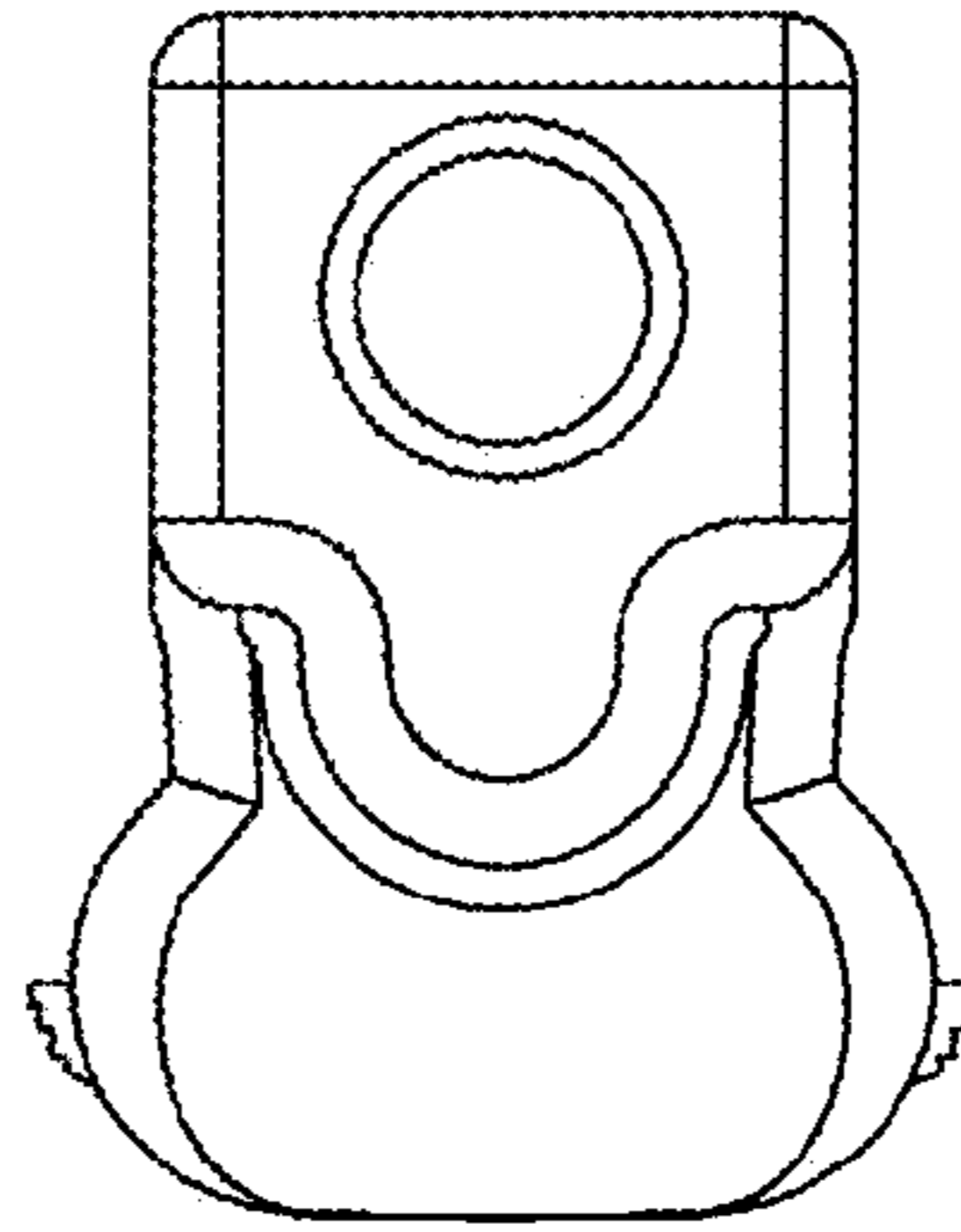


FIG. 7

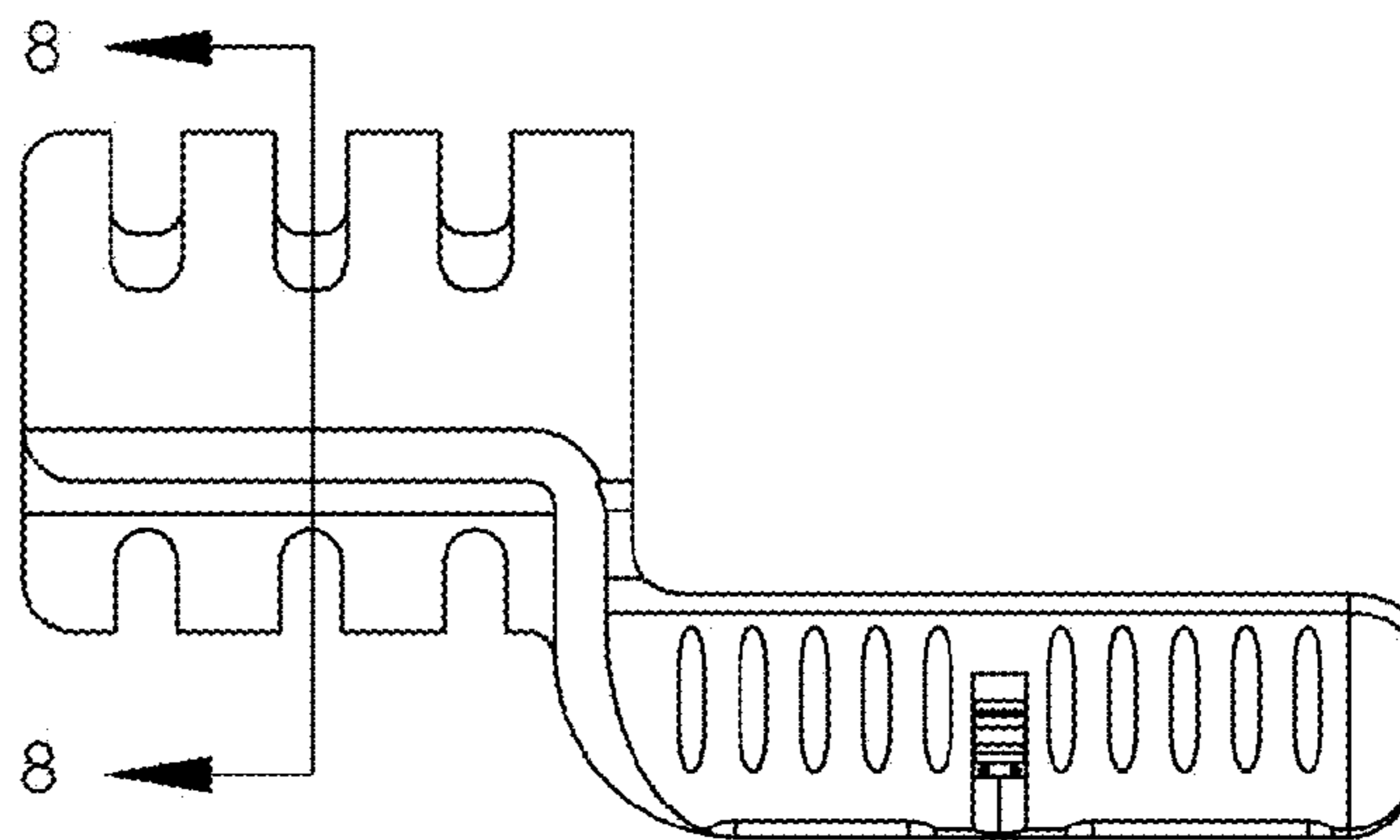


FIG. 8

