



US00D687507S

(12) **United States Design Patent**
Vaicunas et al.

(10) **Patent No.:** **US D687,507 S**

(45) **Date of Patent:** **** Aug. 6, 2013**

(54) **CROSSBOW STOCK**

(75) Inventors: **Paul A. Vaicunas**, Lakewood, OH (US);
Cole M. Lehman, Three Rivers, MI
(US)

(73) Assignee: **Maximus Crossbows Inc.**, Nottawa,
Ontario (CA)

(**) Term: **14 Years**

(21) Appl. No.: **29/420,587**

(22) Filed: **May 10, 2012**

(51) **LOC (9) Cl.** **22-01**

(52) **U.S. Cl.**
USPC **D22/107**

(58) **Field of Classification Search**
USPC D22/107; D21/572; 124/23.1, 25.6,
124/86, 88-92

See application file for complete search history.

(56) **References Cited**

U.S. PATENT DOCUMENTS

4,722,318	A *	2/1988	Yankey	124/25
7,100,590	B2 *	9/2006	Chang	124/25
D590,907	S *	4/2009	Barnett	D22/107
8,141,547	B2 *	3/2012	Bednar et al.	124/25
8,220,445	B2 *	7/2012	Bednar et al.	124/25
8,225,777	B2 *	7/2012	Chu	124/25
2009/0277435	A1 *	11/2009	Pestru	124/25
2011/0030666	A1 *	2/2011	Darlington	124/25

2012/0167437	A1 *	7/2012	Holmberg	42/90
2012/0222661	A1 *	9/2012	Bednar et al.	124/25
2013/0074819	A1 *	3/2013	McPherson	124/25.6

FOREIGN PATENT DOCUMENTS

WO WO 3087696 A1 * 10/2003

* cited by examiner

Primary Examiner — Michael A Pratt

(74) *Attorney, Agent, or Firm* — Olson & Cepuritis, Ltd.

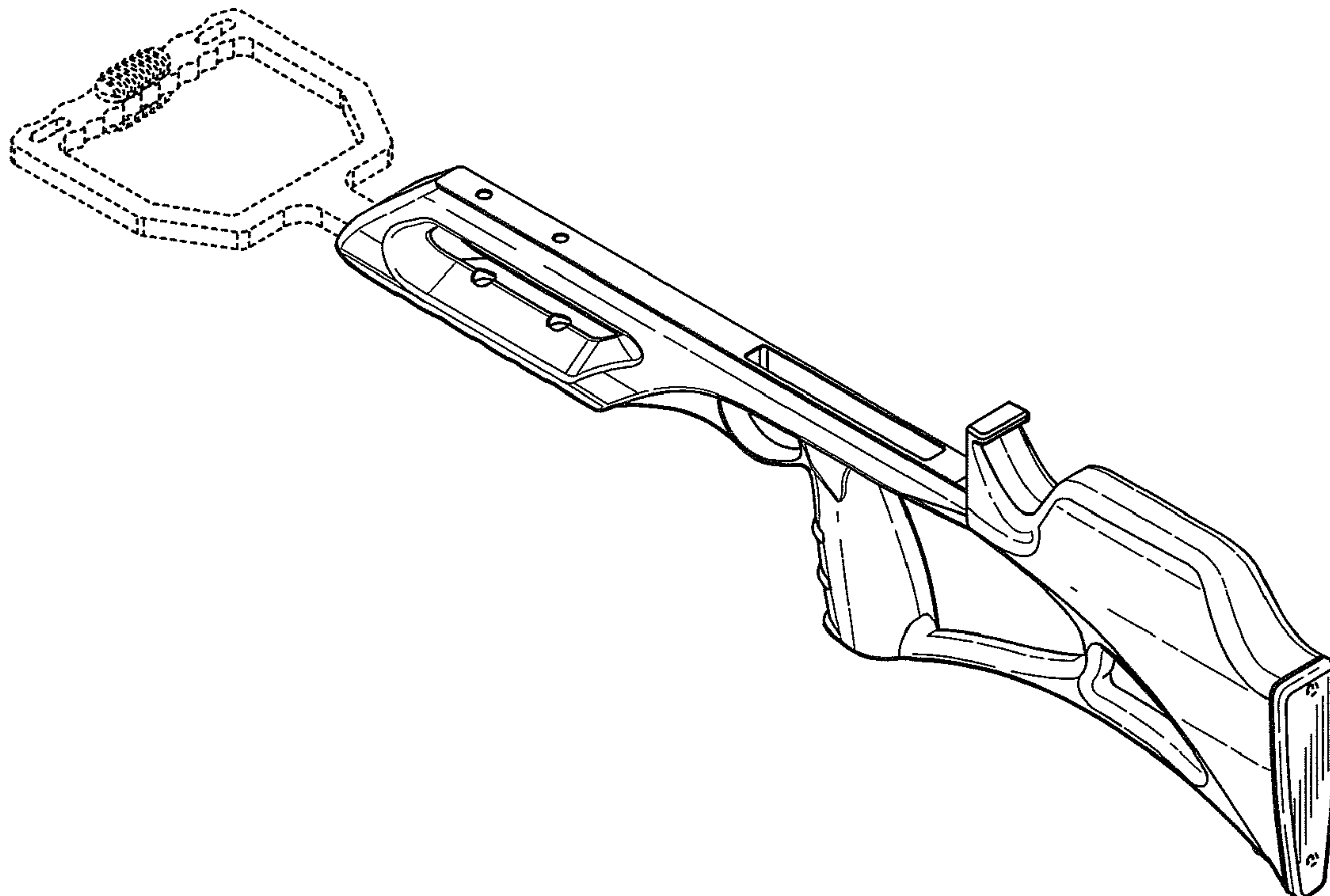
(57) **CLAIM**

The ornamental design for a crossbow stock, as shown and described.

DESCRIPTION

FIG. 1 is a top perspective view of our crossbow stock design with the stirrup portion shown in broken lines for purposes of illustration only and forming no part of the claimed design; FIG. 2 is a bottom perspective view of the crossbow stock of FIG. 1; FIG. 3 is a side elevation view of the crossbow stock of FIG. 1; FIG. 4 is another side elevation view of the crossbow stock of FIG. 1, which is the opposite side view of that in FIG. 3; FIG. 5 is a top plan view of the crossbow stock of FIG. 1; FIG. 6 is a bottom plan view of the crossbow stock of FIG. 1; FIG. 7 is a rear elevation view of the crossbow stock of FIG. 1; and, FIG. 8 is a front elevation view of the crossbow stock of FIG. 1.

1 Claim, 5 Drawing Sheets



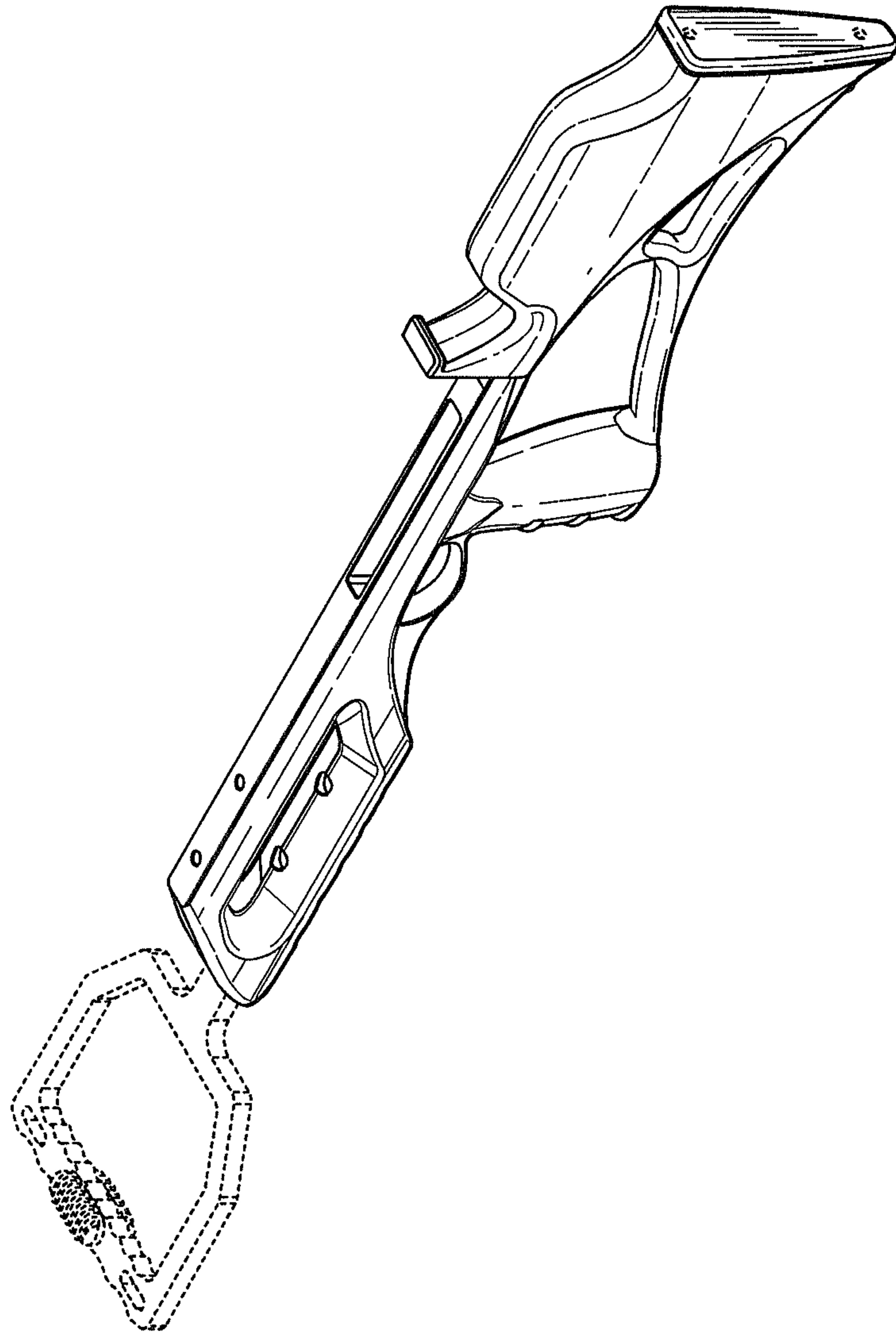


Fig. 1

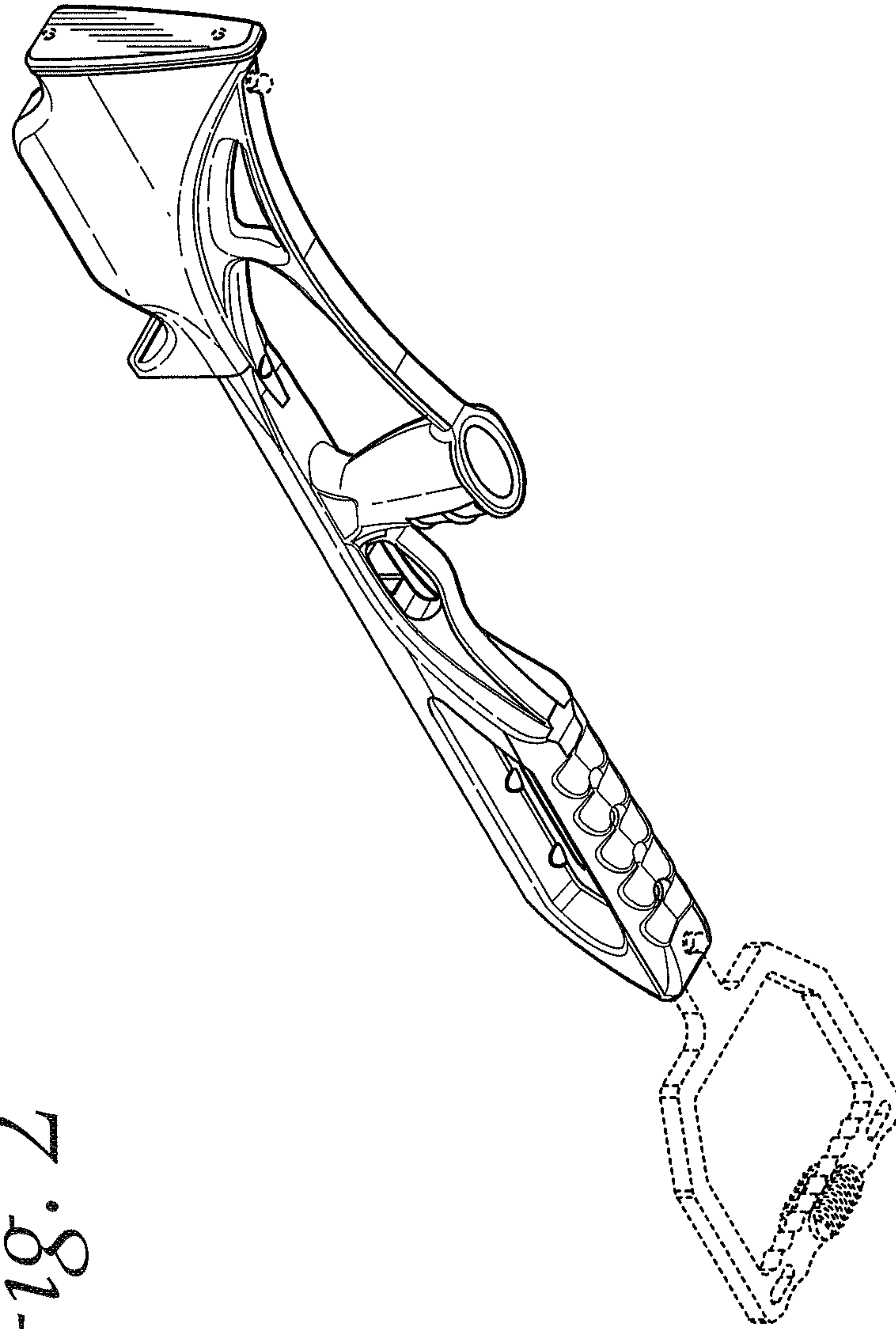


Fig. 2

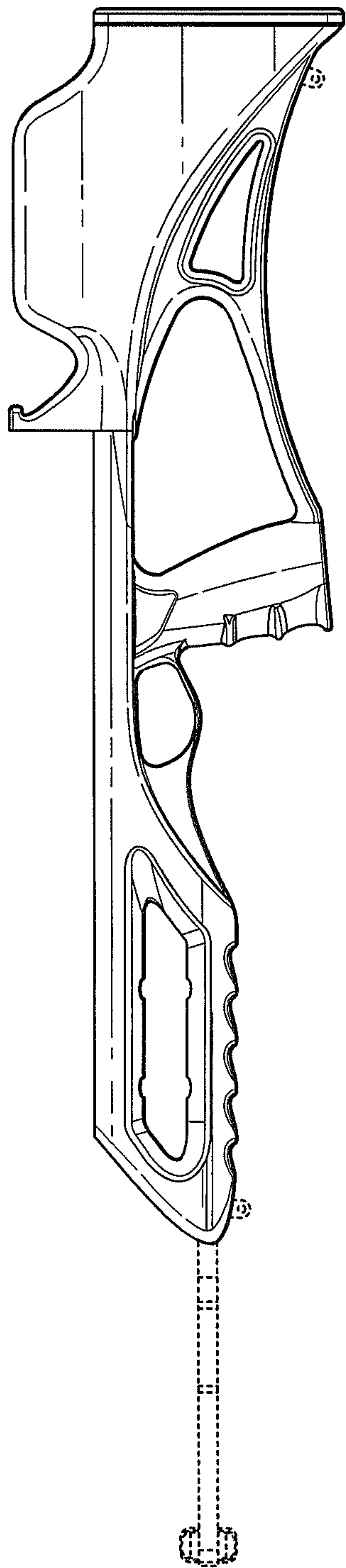


Fig. 3

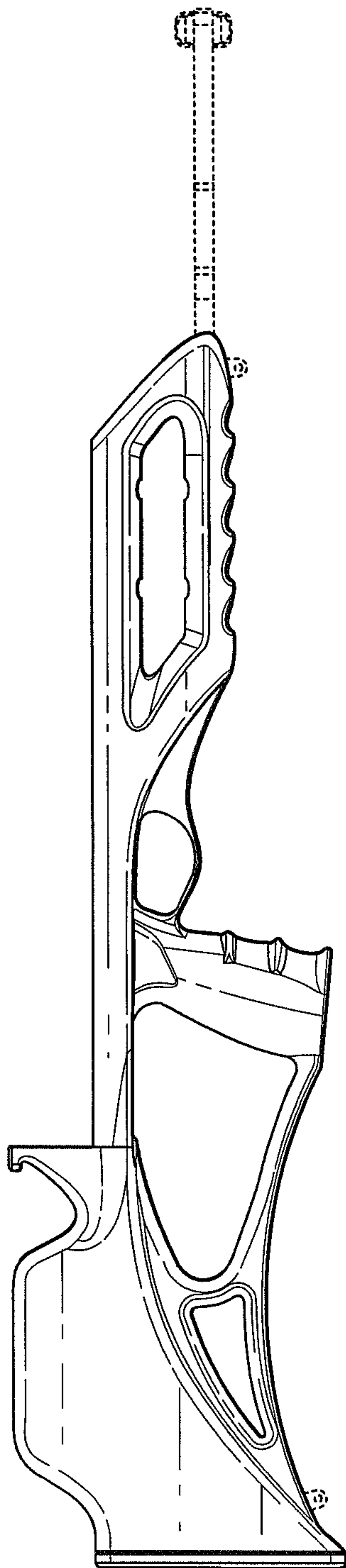


Fig. 4

Fig. 5

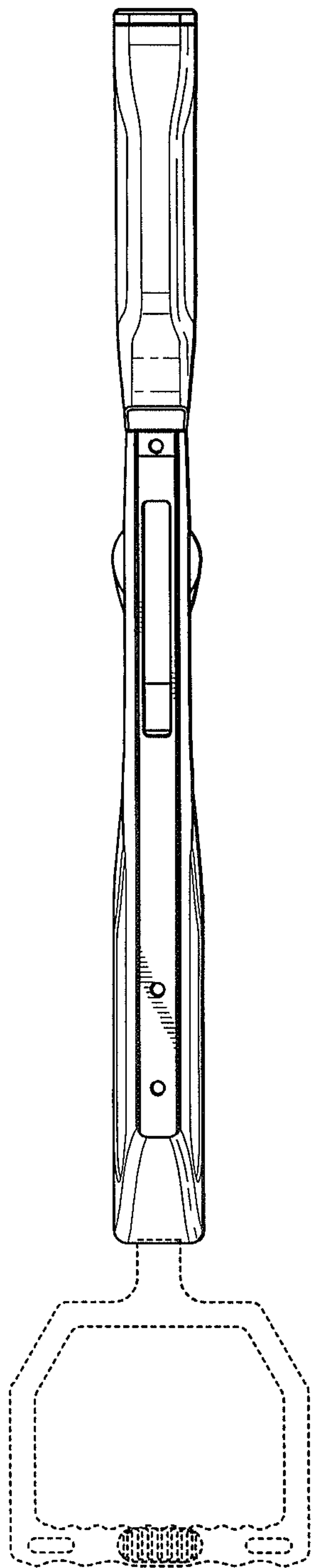


Fig. 6

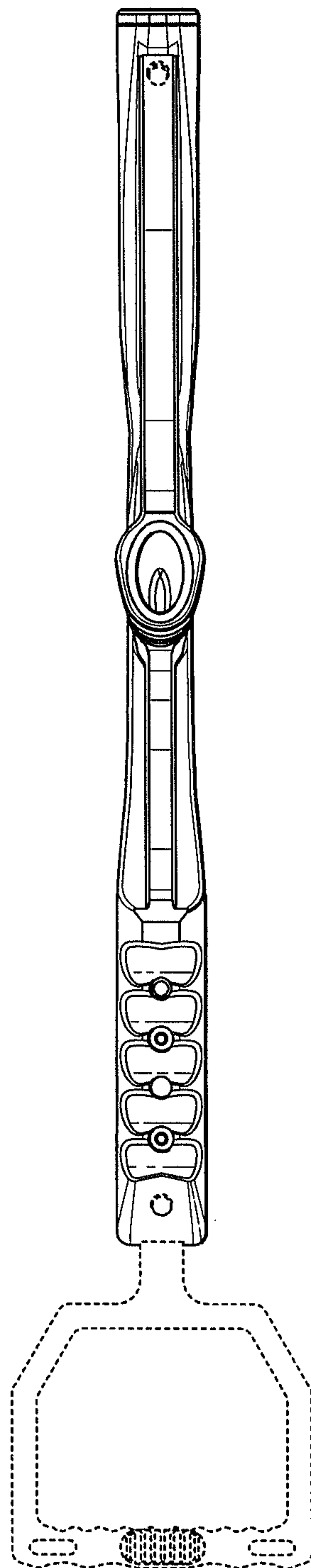


Fig. 7

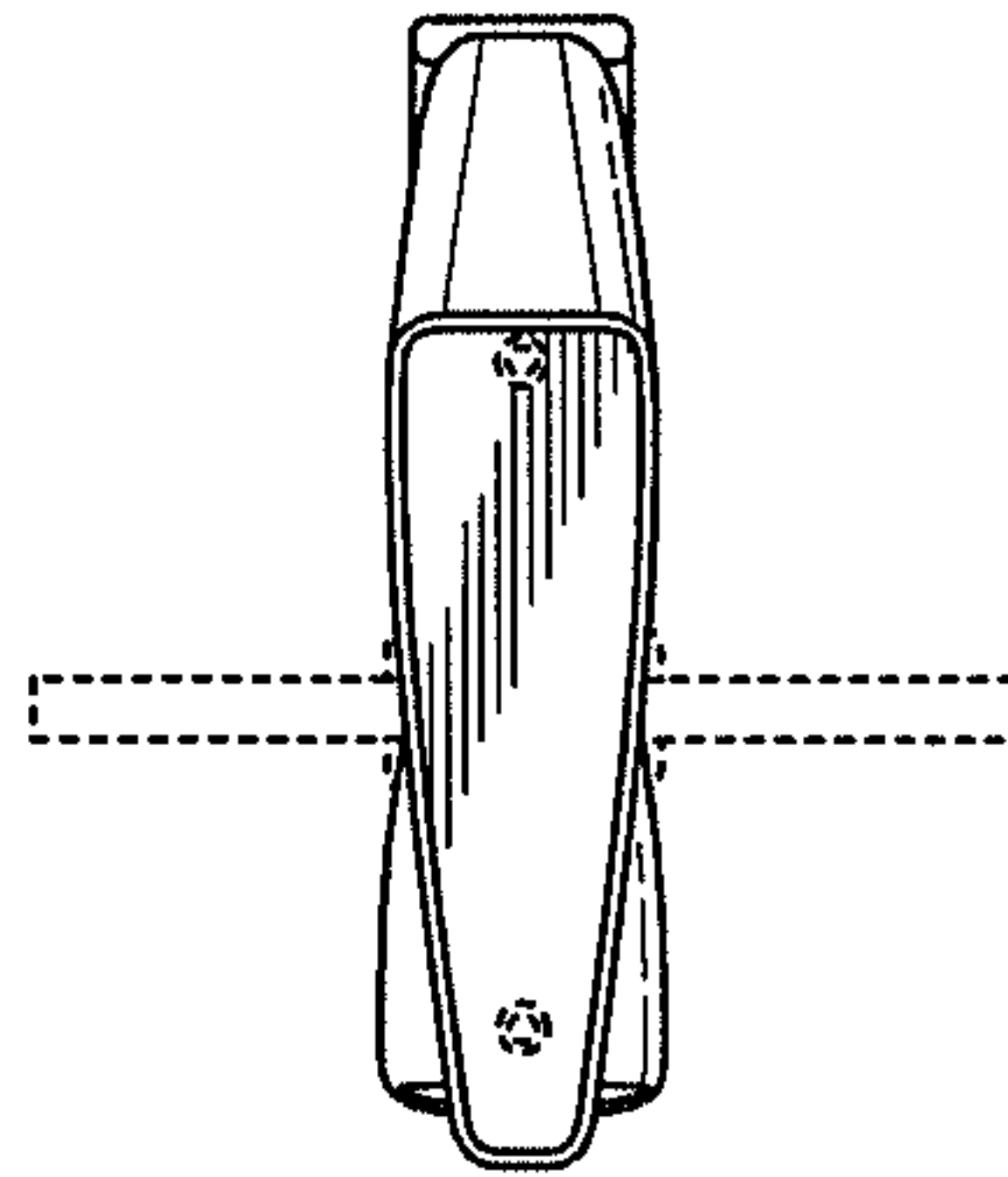


Fig. 8

