



US00D687506S

(12) **United States Design Patent**
Yigit

(10) **Patent No.:** **US D687,506 S**

(45) **Date of Patent:** **** Aug. 6, 2013**

(54) **PISTOL**

(75) Inventor: **Zafer Yigit**, Istanbul (TR)

(73) Assignee: **Atak Silah Sanayi Ve Ticaret Limited Sirketti**, Istanbul (TR)

(**) Term: **14 Years**

(21) Appl. No.: **29/423,632**

(22) Filed: **Jun. 3, 2012**

(51) **LOC (9) Cl.** **22-01**

(52) **U.S. Cl.**
USPC **D22/104**

(58) **Field of Classification Search**
USPC D22/104; D21/572-575; 89/40.06,
89/41.19, 37.04, 33.04, 191.01, 200-204;
124/67, 66, 72, 74

See application file for complete search history.

(56) **References Cited**

U.S. PATENT DOCUMENTS

5,129,172	A	*	7/1992	Brennan	42/25
D359,098	S		6/1995	Stevens		
D387,841	S		12/1997	Hochstrate et al.		
D387,842	S		12/1997	Kaminski et al.		
D430,916	S		9/2000	Bubits		
D479,570	S		9/2003	Scheunert		
D505,475	S		5/2005	Salva		
D505,476	S		5/2005	McGarry		
D516,661	S	*	3/2006	McGarry	D22/104

D559,337	S	*	1/2008	Wang	D21/574
D579,072	S		10/2008	McGarry		
D583,896	S		12/2008	McGarry		
D597,625	S		8/2009	Pflaumer et al.		
D598,065	S		8/2009	Vukovic et al.		
D599,430	S		9/2009	Siddle et al.		
7,603,996	B2	*	10/2009	Wei	124/74
7,726,293	B2	*	6/2010	Wei	124/74
D627,028	S		11/2010	Coulombier		
D651,275	S		12/2011	Emde et al.		

* cited by examiner

Primary Examiner — Michael A Pratt

(74) *Attorney, Agent, or Firm* — ARC IP Law, PC; Joseph J. Mayo

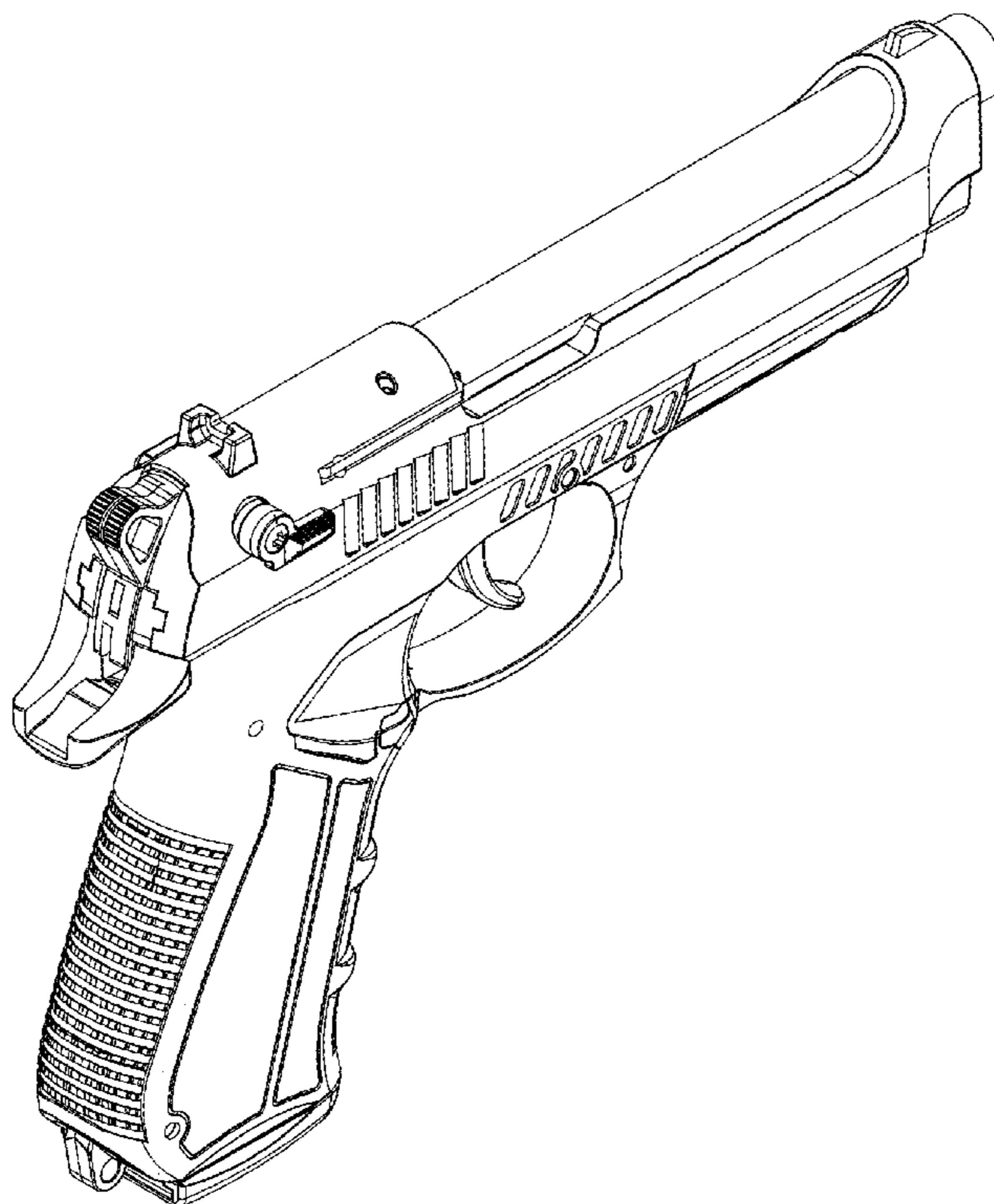
(57) **CLAIM**

The ornamental design for a pistol, as shown and described.

DESCRIPTION

FIG. 1 is an isometric right rear view of the pistol.
 FIG. 2 is an isometric left rear view of the pistol.
 FIG. 3 is an isometric right front view of the pistol.
 FIG. 4 is an isometric left front view of the pistol.
 FIG. 5 is a right side view of the pistol.
 FIG. 6 is a left side view of the pistol.
 FIG. 7 is a top view of the pistol.
 FIG. 8 is a bottom view of the pistol.
 FIG. 9 is a front view of the pistol; and,
 FIG. 10 is a rear view of the pistol.

1 Claim, 10 Drawing Sheets



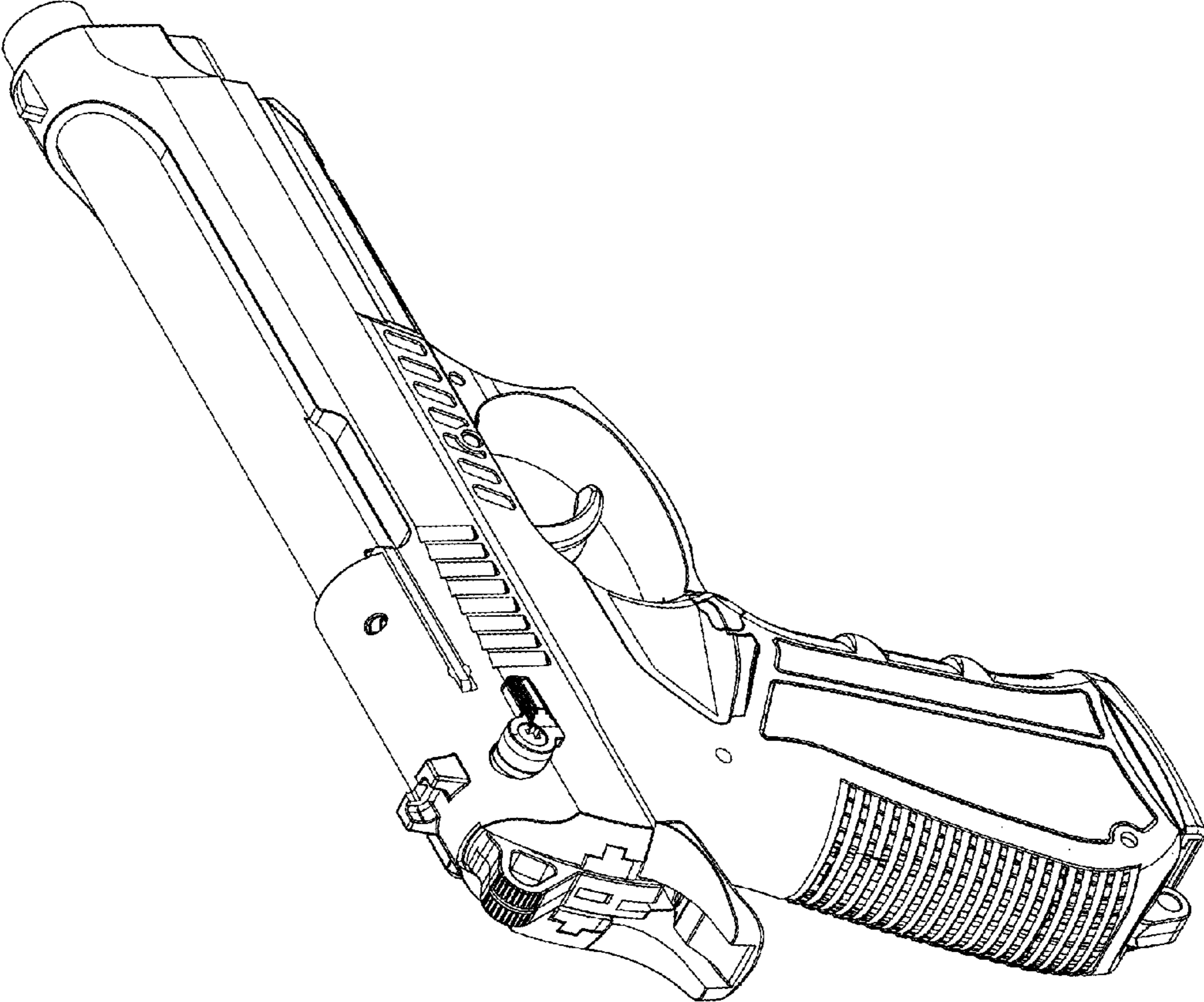


FIG. 1

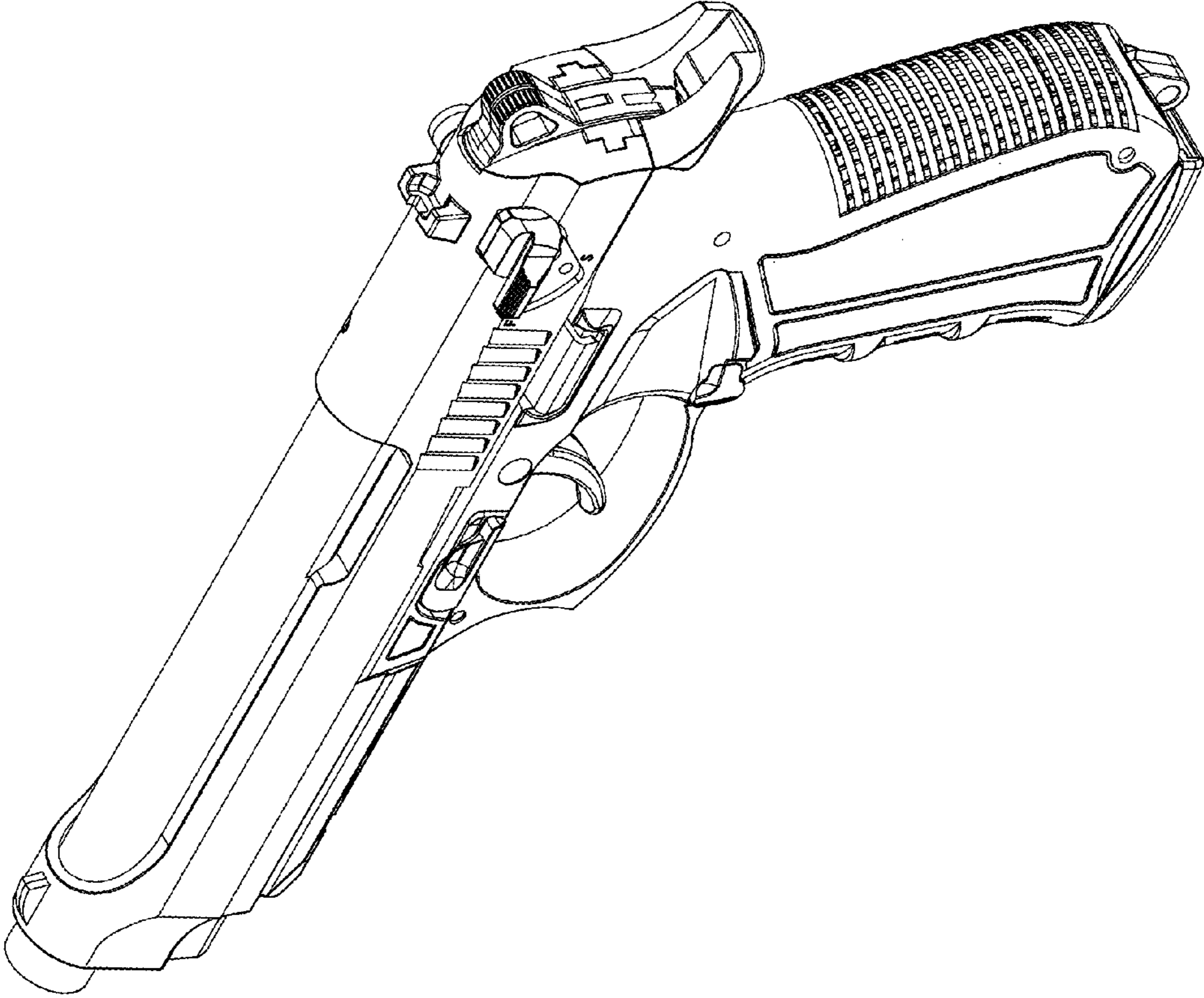


FIG. 2

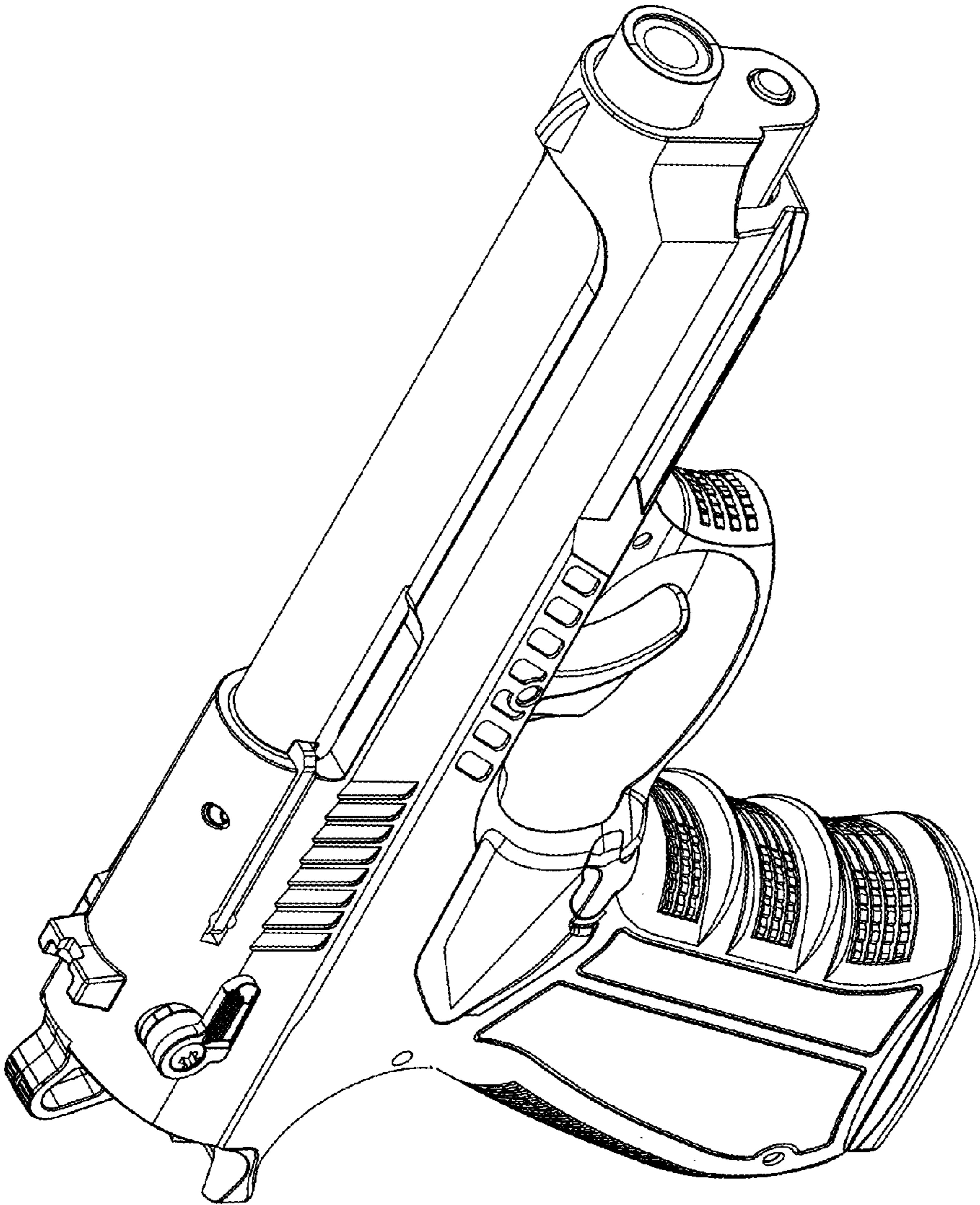


FIG. 3

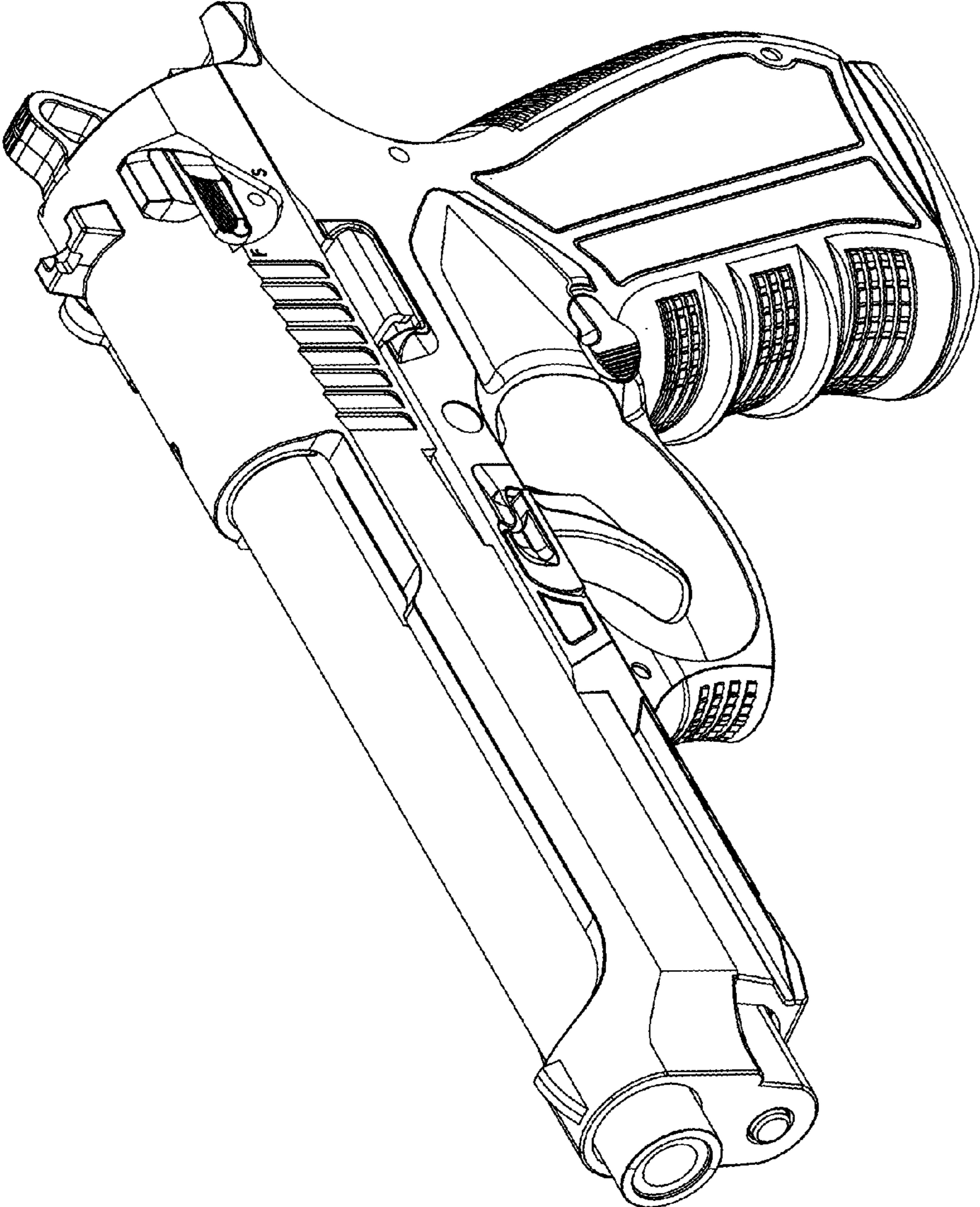


FIG. 4

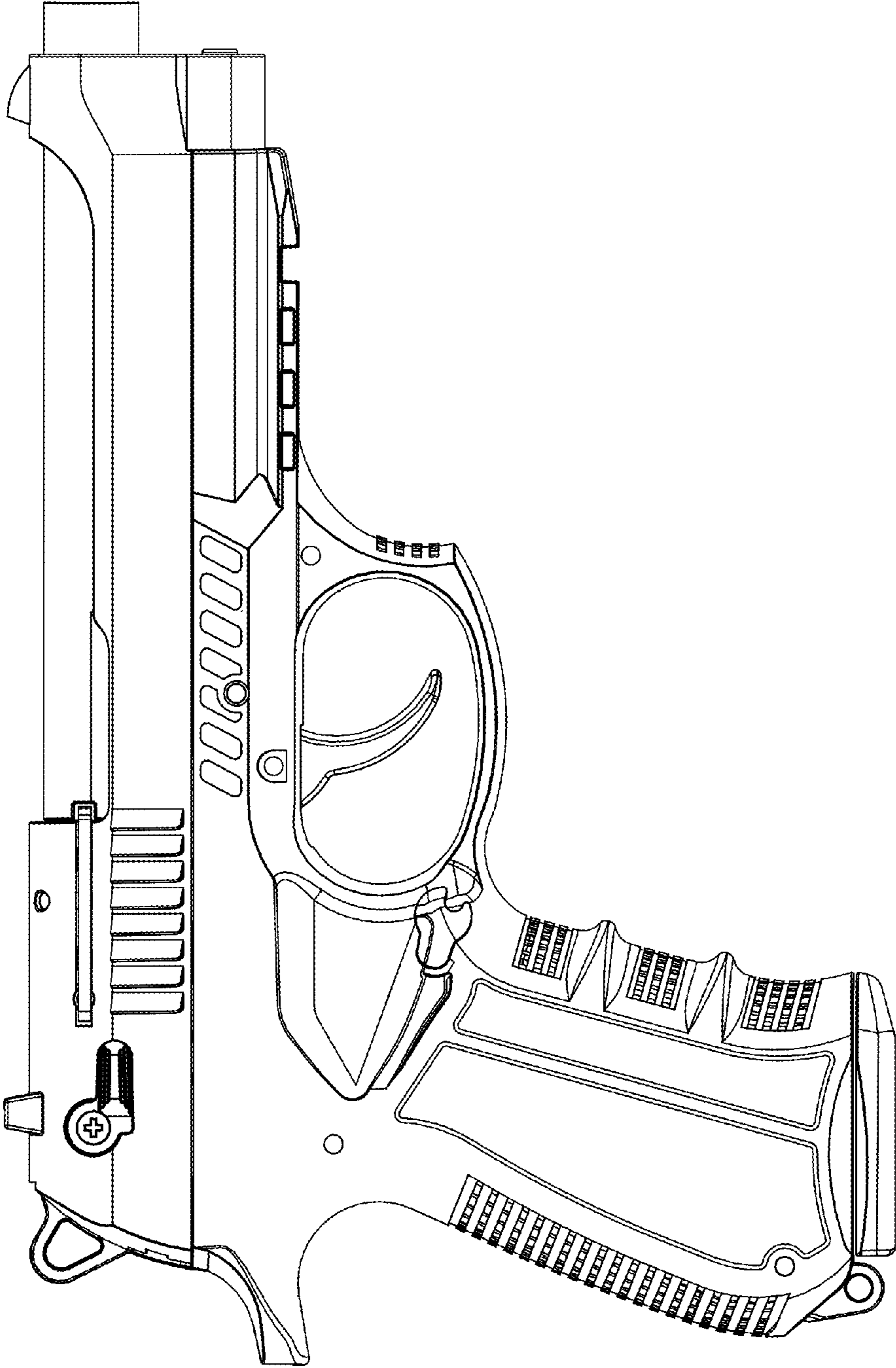


FIG. 5

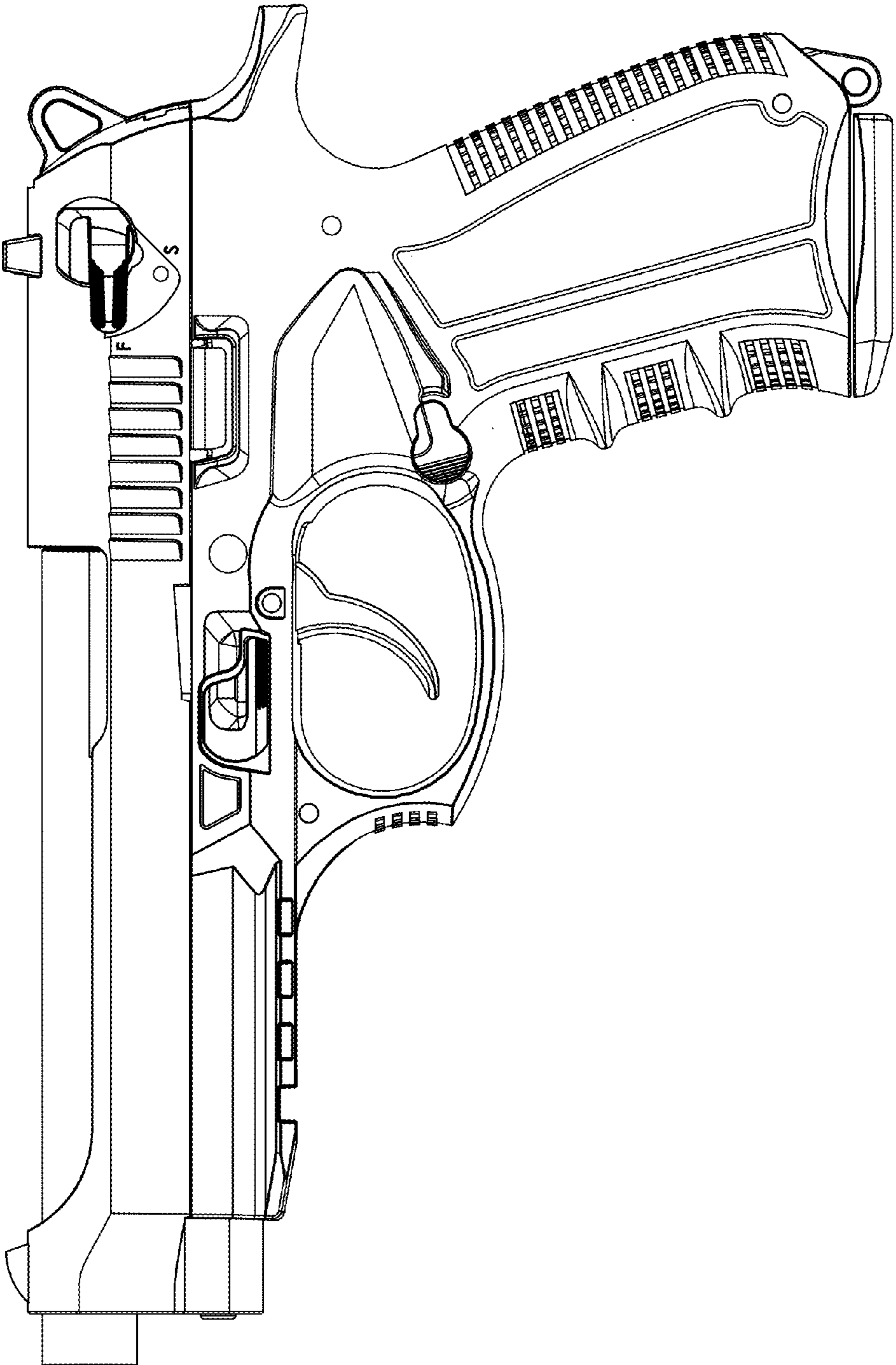


FIG. 6

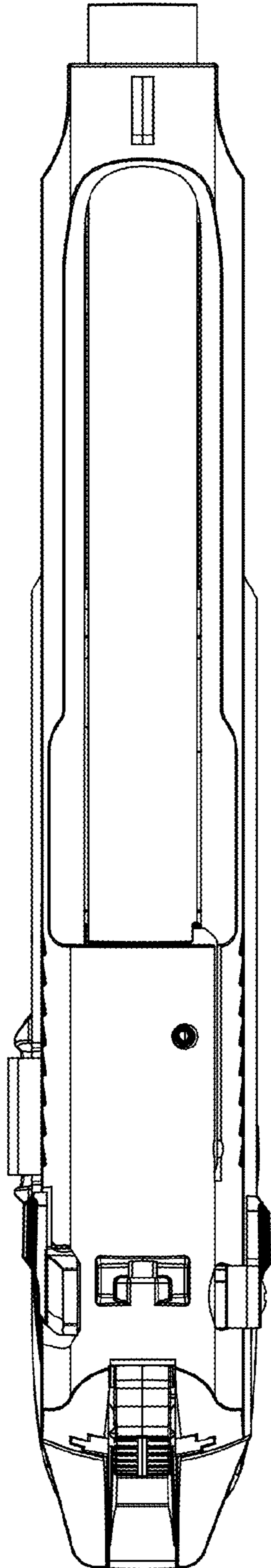


FIG. 7

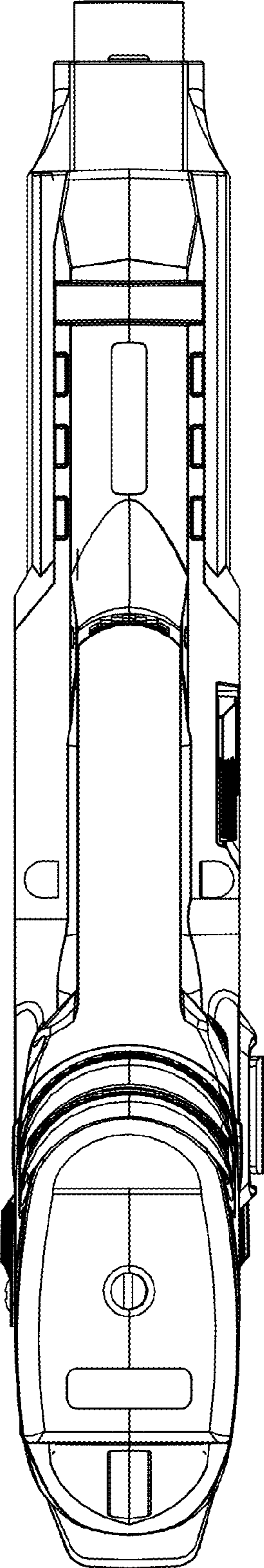


FIG. 8

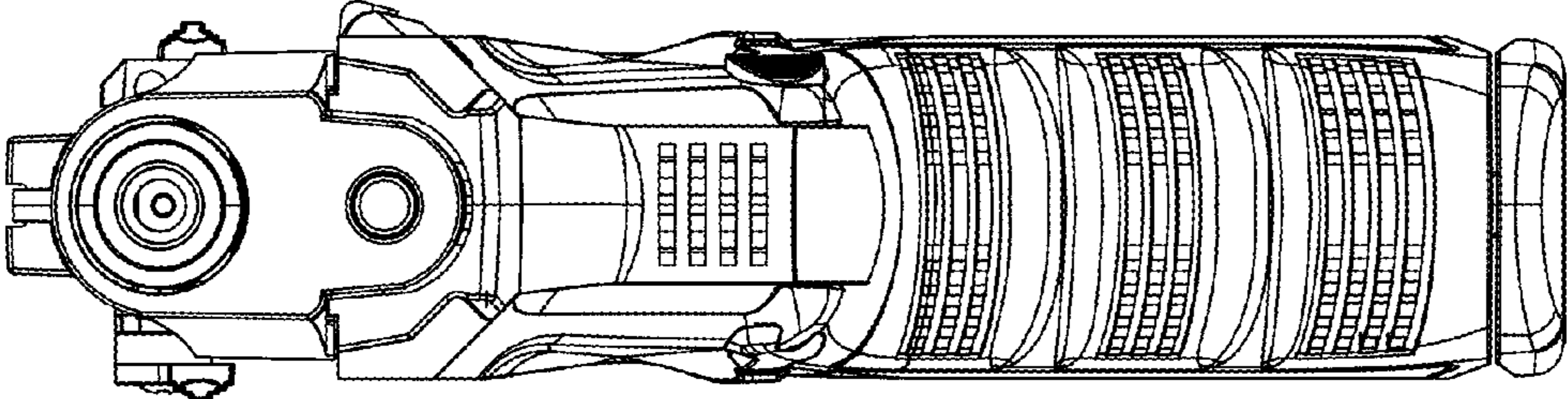


FIG. 9

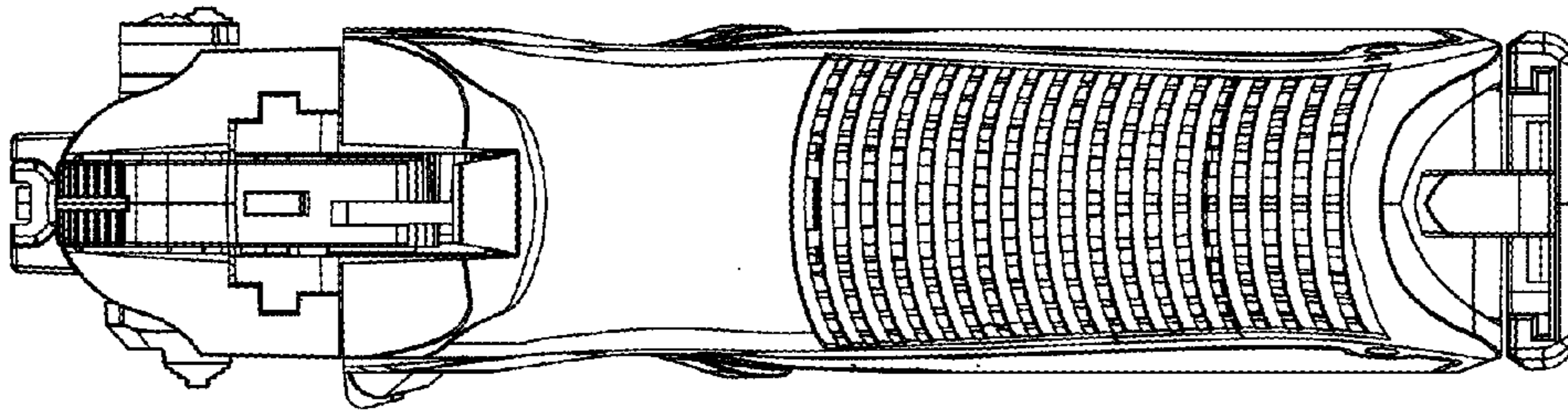


FIG. 10