



US00D687505S

(12) **United States Design Patent**  
**Knorst et al.**

(10) **Patent No.:** **US D687,505 S**

(45) **Date of Patent:** **\*\* Aug. 6, 2013**

(54) **PISTOL**

(75) Inventors: **Marcelo de Albuquerque Knorst**,  
Sarandi-Porto Alegre (BR); **Mark**  
**Kresser**, St. Albans Bay, VT (US)

(73) Assignee: **Forjas Taurus S/A**, Porto Algere-RS  
(BR)

(\*\*) Term: **14 Years**

(21) Appl. No.: **29/410,969**

(22) Filed: **Jan. 13, 2012**

(51) **LOC (9) Cl.** ..... **22-01**

(52) **U.S. Cl.**  
USPC ..... **D22/103**

(58) **Field of Classification Search**  
USPC ..... D22/100, 104, 199; D21/145, 146,  
D21/147, 567, 572, 573-575; 42/40, 41,  
42/42.01, 42.02, 42.03, 43, 44, 45, 57, 69.01,  
42/71.02, 72; 124/31, 37; 362/110, 113  
See application file for complete search history.

(56) **References Cited**

**U.S. PATENT DOCUMENTS**

D225,847	S	*	1/1973	Lichtman	.....	D22/104
3,857,322	A	*	12/1974	Lichtman	.....	89/145
D263,413	S	*	3/1982	Hillberg	.....	D22/104
D277,126	S	*	1/1985	Numbers	.....	D22/104
6,655,065	B1	*	12/2003	Chapman	.....	42/44

D630,290	S	*	1/2011	Velasquez et al.	.....	D22/104
D664,609	S	*	7/2012	Johnson	.....	D21/574
2011/0072704	A1	*	3/2011	Teach et al.	.....	42/8

\* cited by examiner

*Primary Examiner* — Michael A Pratt

(74) *Attorney, Agent, or Firm* — Robert Curcio; DeLio & Peterson, LLC

(57) **CLAIM**

The ornamental design for pistol, as shown and described.

**DESCRIPTION**

FIG. 1 is a perspective view of a pistol showing my new design;  
 FIG. 2 is a front view of the pistol of FIG. 1;  
 FIG. 3 is a rear view of the pistol of FIG. 1;  
 FIG. 4 is a top plan view of the pistol of FIG. 1;  
 FIG. 5 is a bottom view of the pistol of FIG. 1;  
 FIG. 6 is a left elevation view of the pistol of FIG. 1;  
 FIG. 7 is a right elevation view of the pistol of FIG. 1;  
 FIG. 8 is a perspective view of a pistol according to a second embodiment;  
 FIG. 9 is a front view of the pistol of FIG. 8;  
 FIG. 10 is a rear view of the pistol of FIG. 8;  
 FIG. 11 is a top plan view of the pistol of FIG. 8;  
 FIG. 12 is a bottom view of the pistol of FIG. 8;  
 FIG. 13 is a left elevation view of the pistol of FIG. 8; and,  
 FIG. 14 is a right view of the pistol of FIG. 8.

**1 Claim, 6 Drawing Sheets**

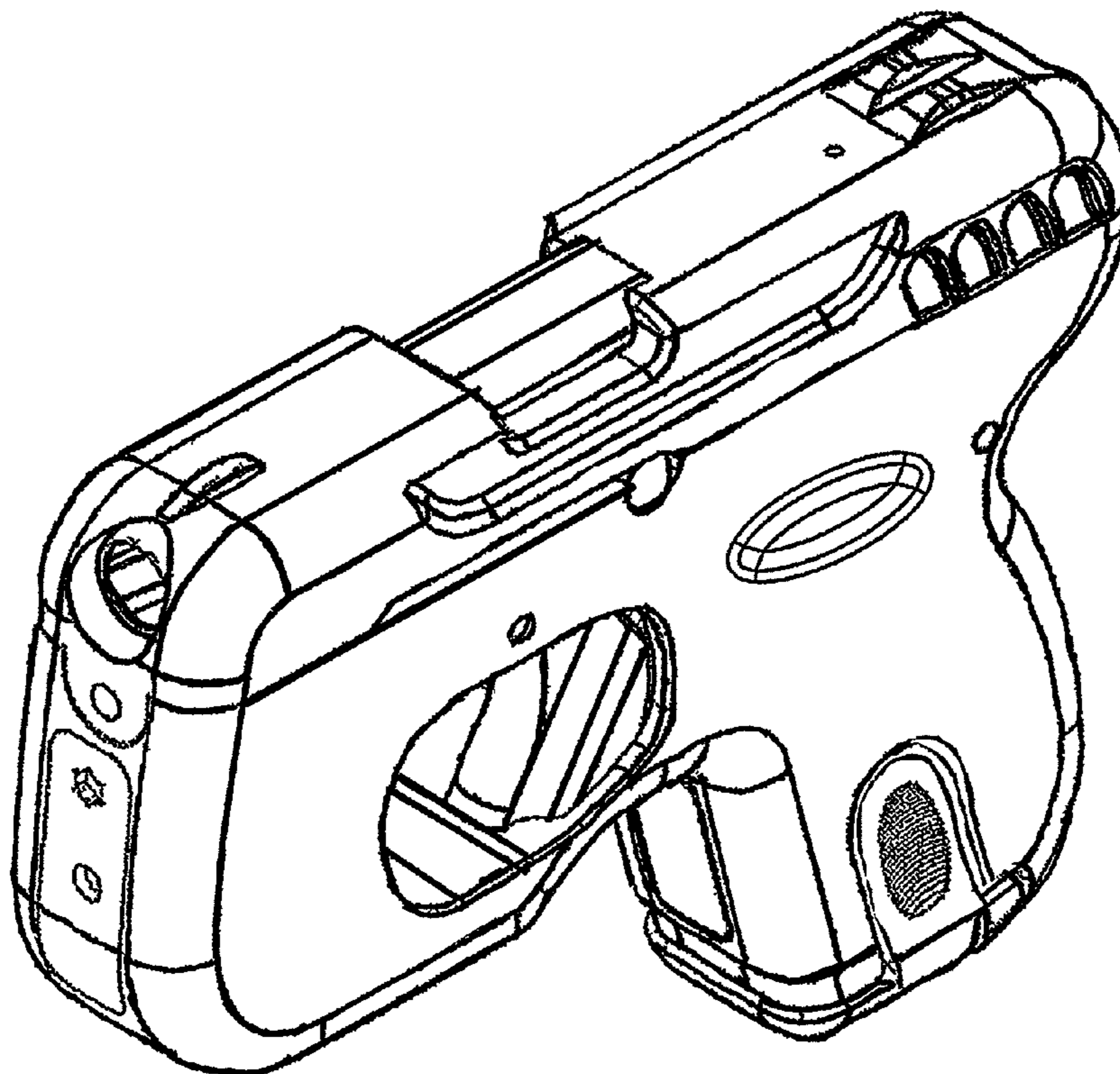


FIG. 1

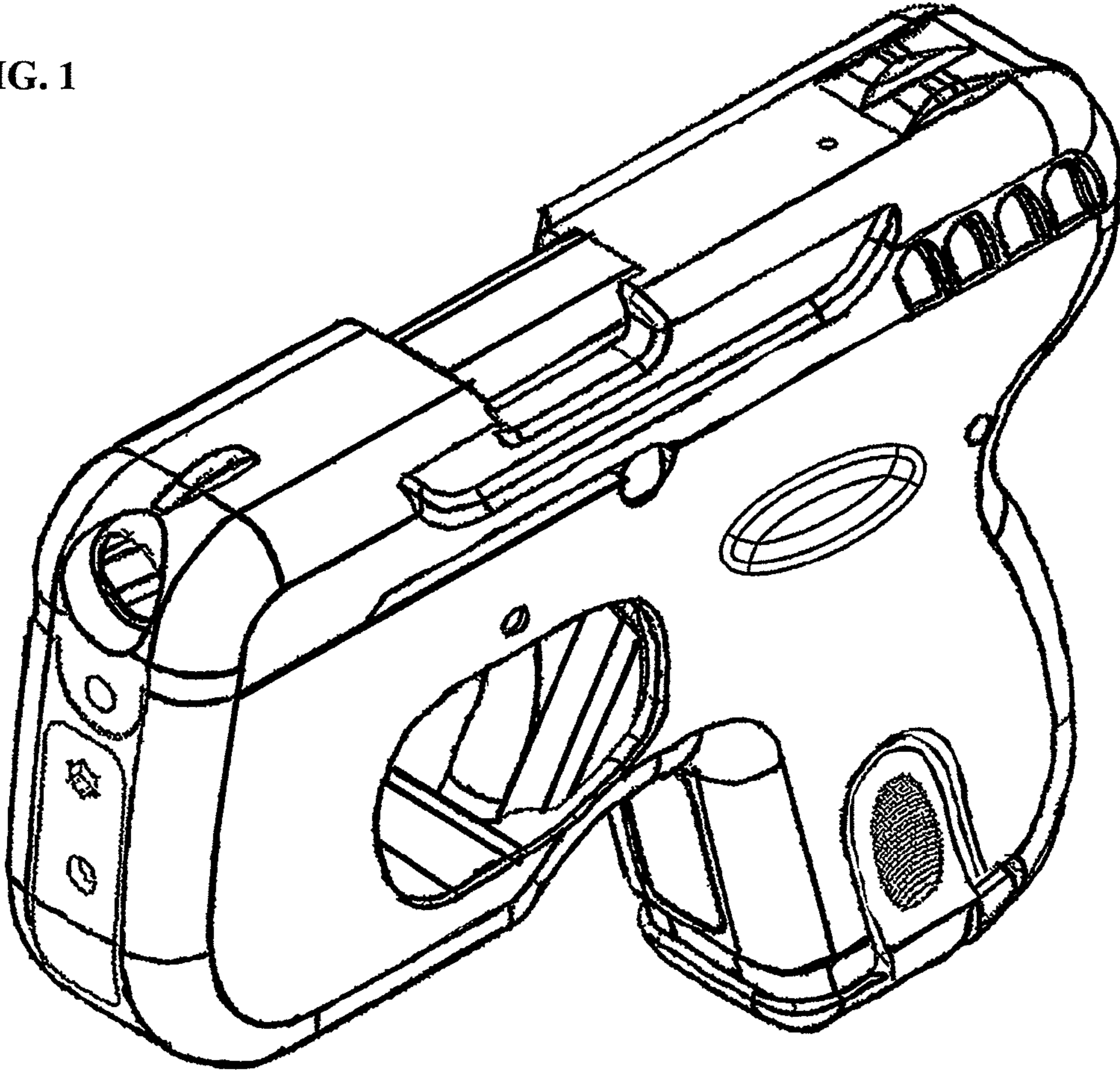


FIG. 2

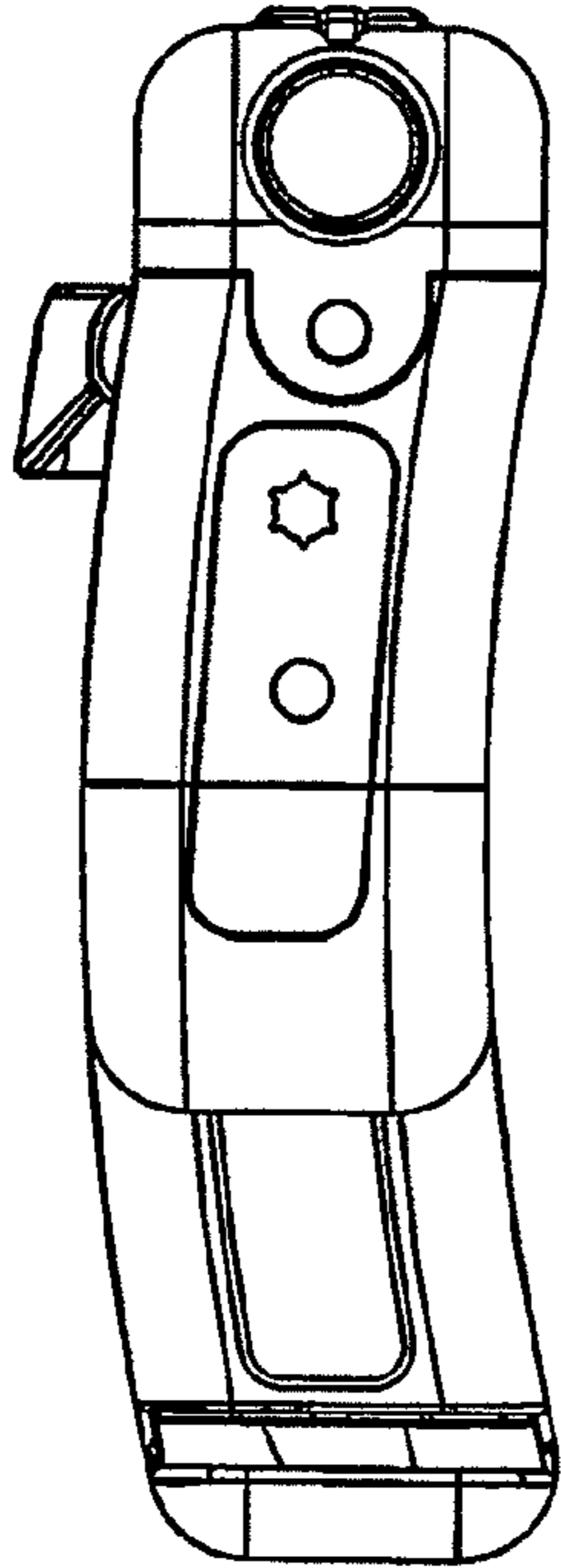


FIG. 3

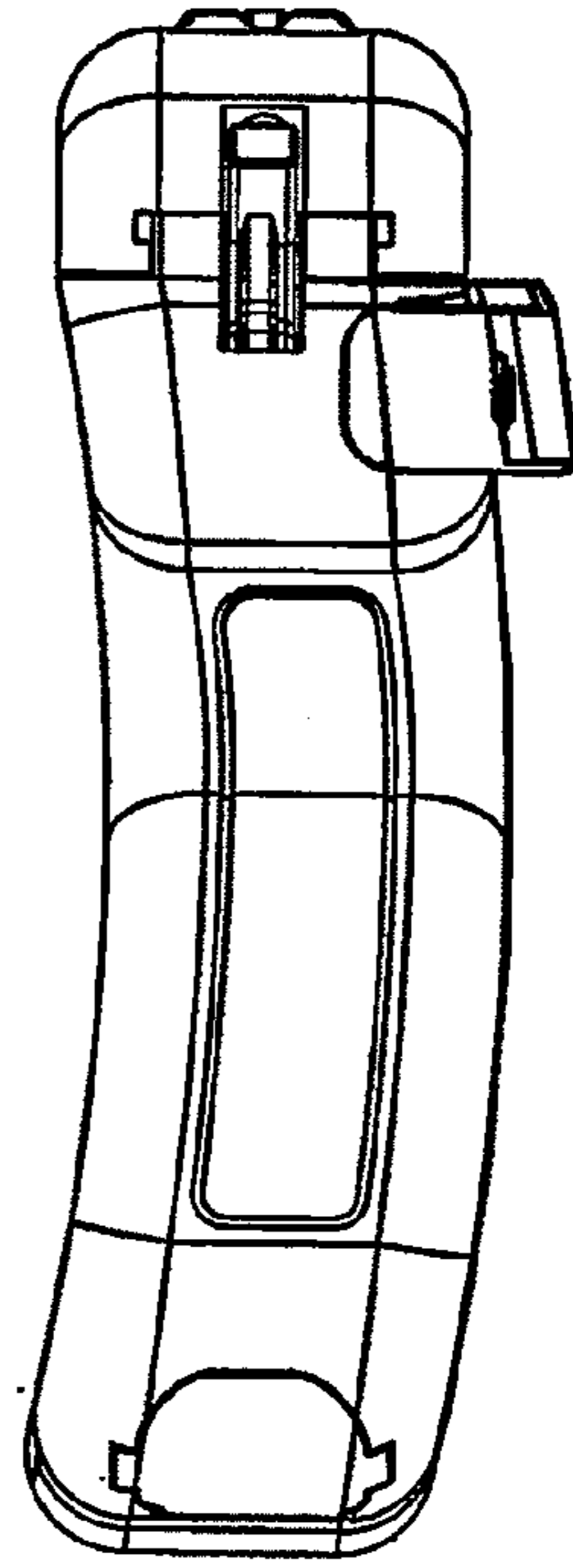


FIG. 4

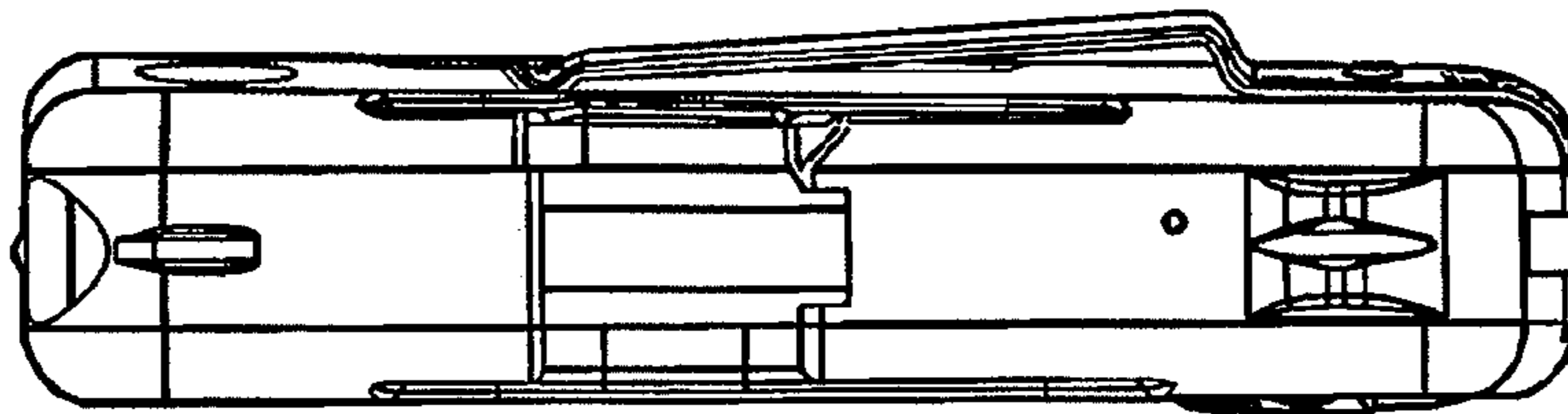


FIG. 5

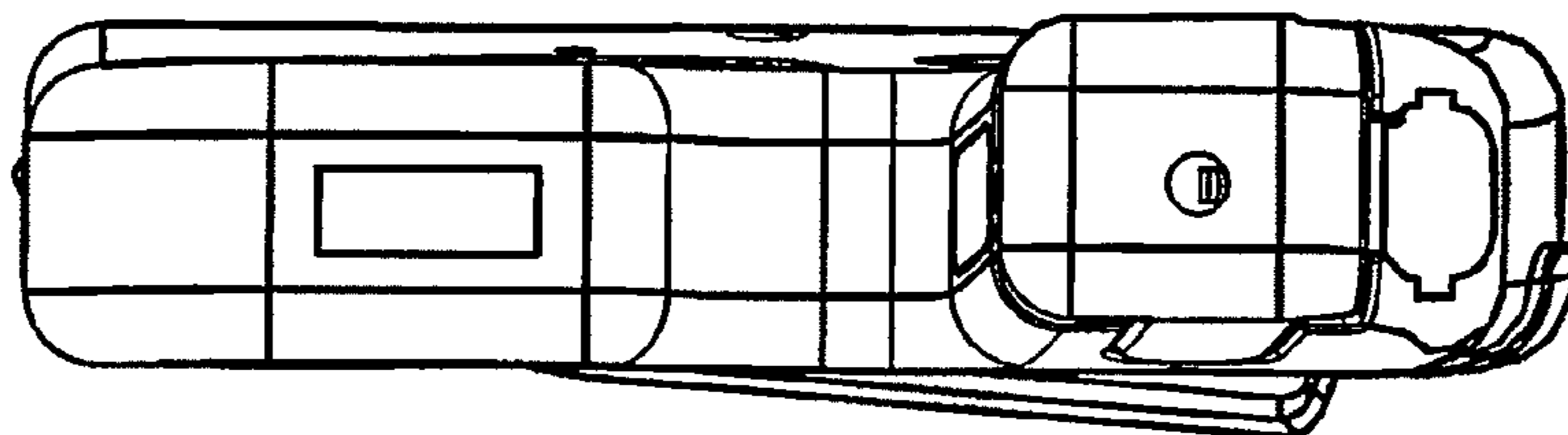


FIG. 6

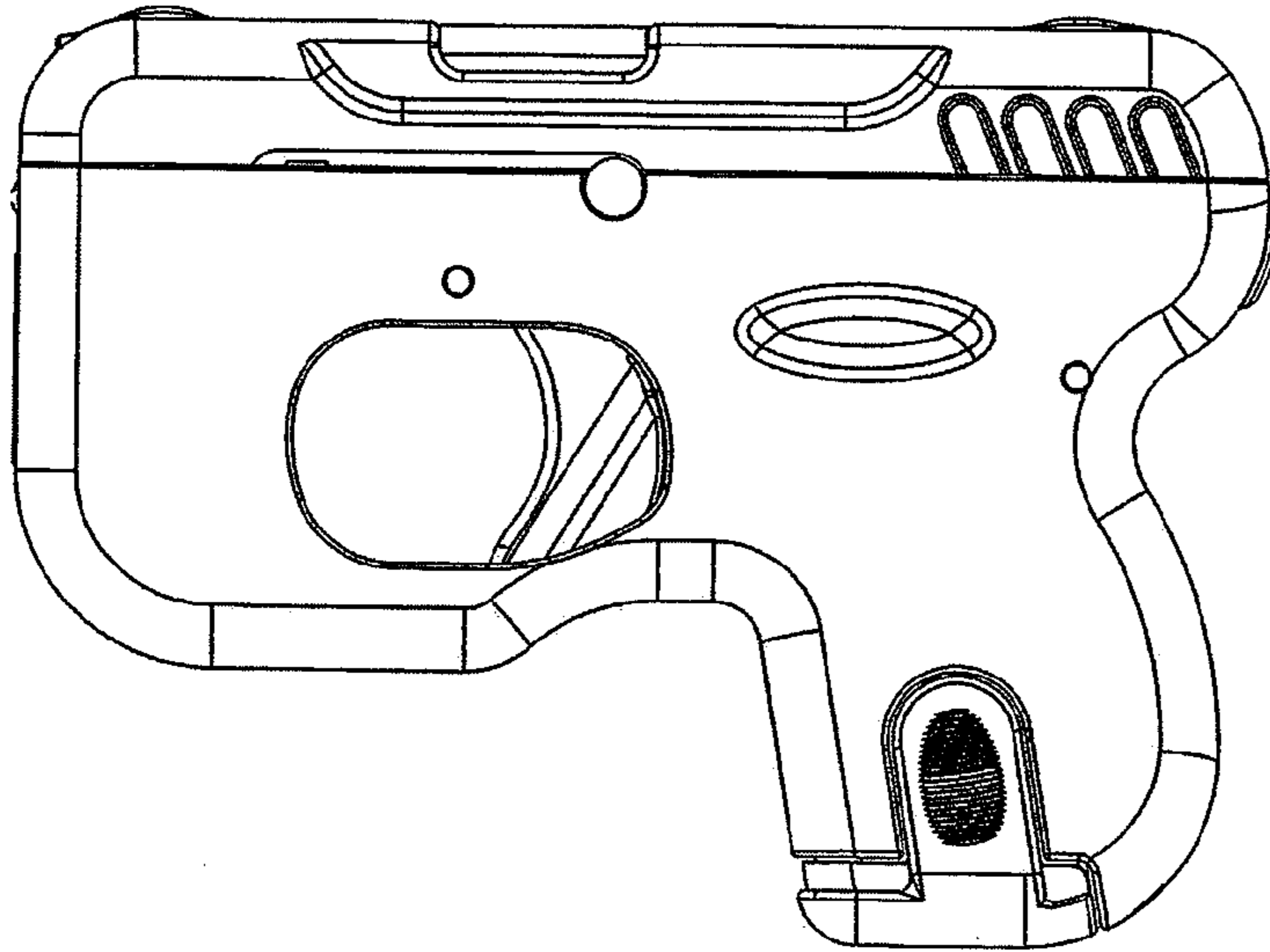


FIG. 7

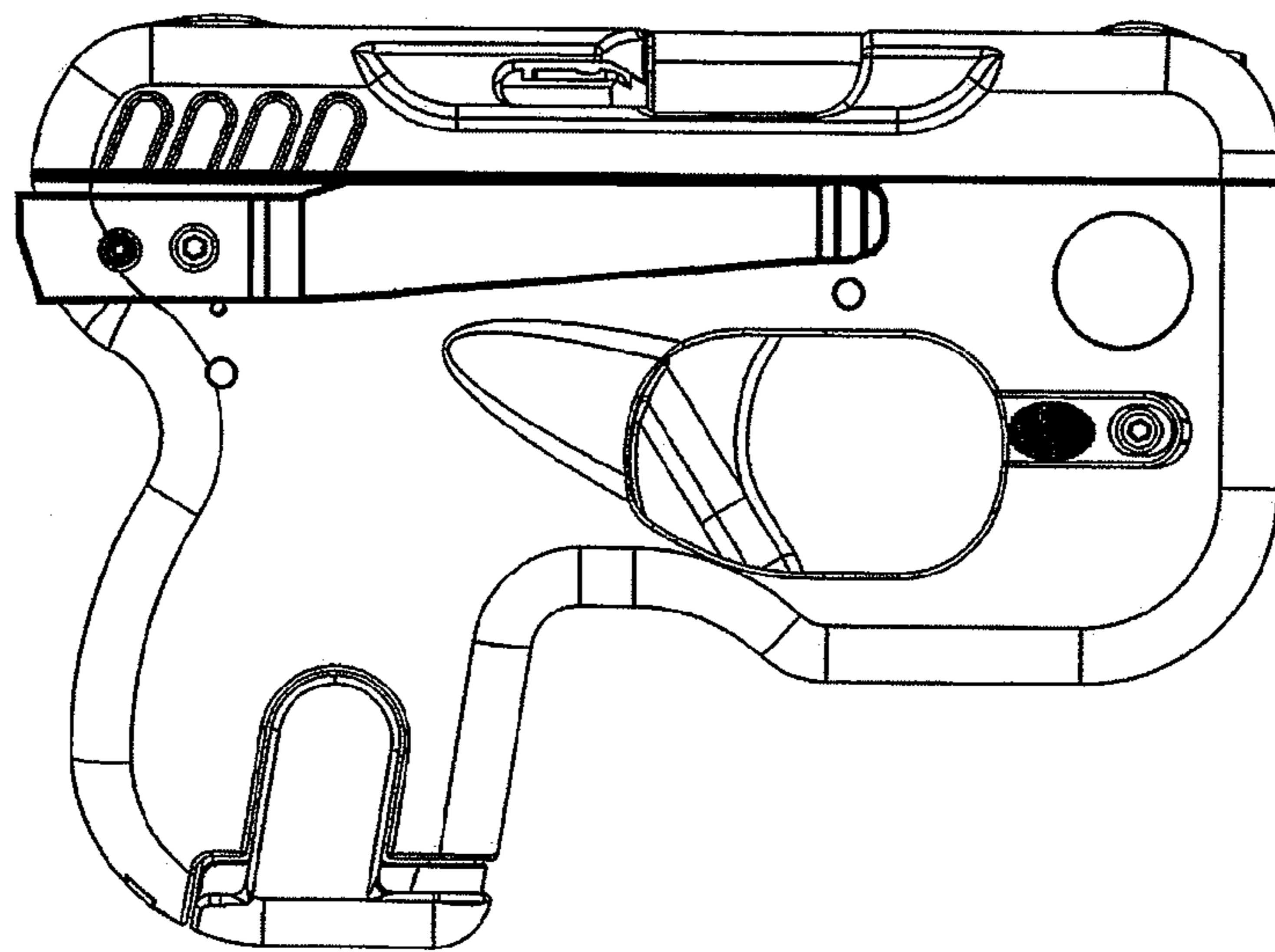


FIG. 8

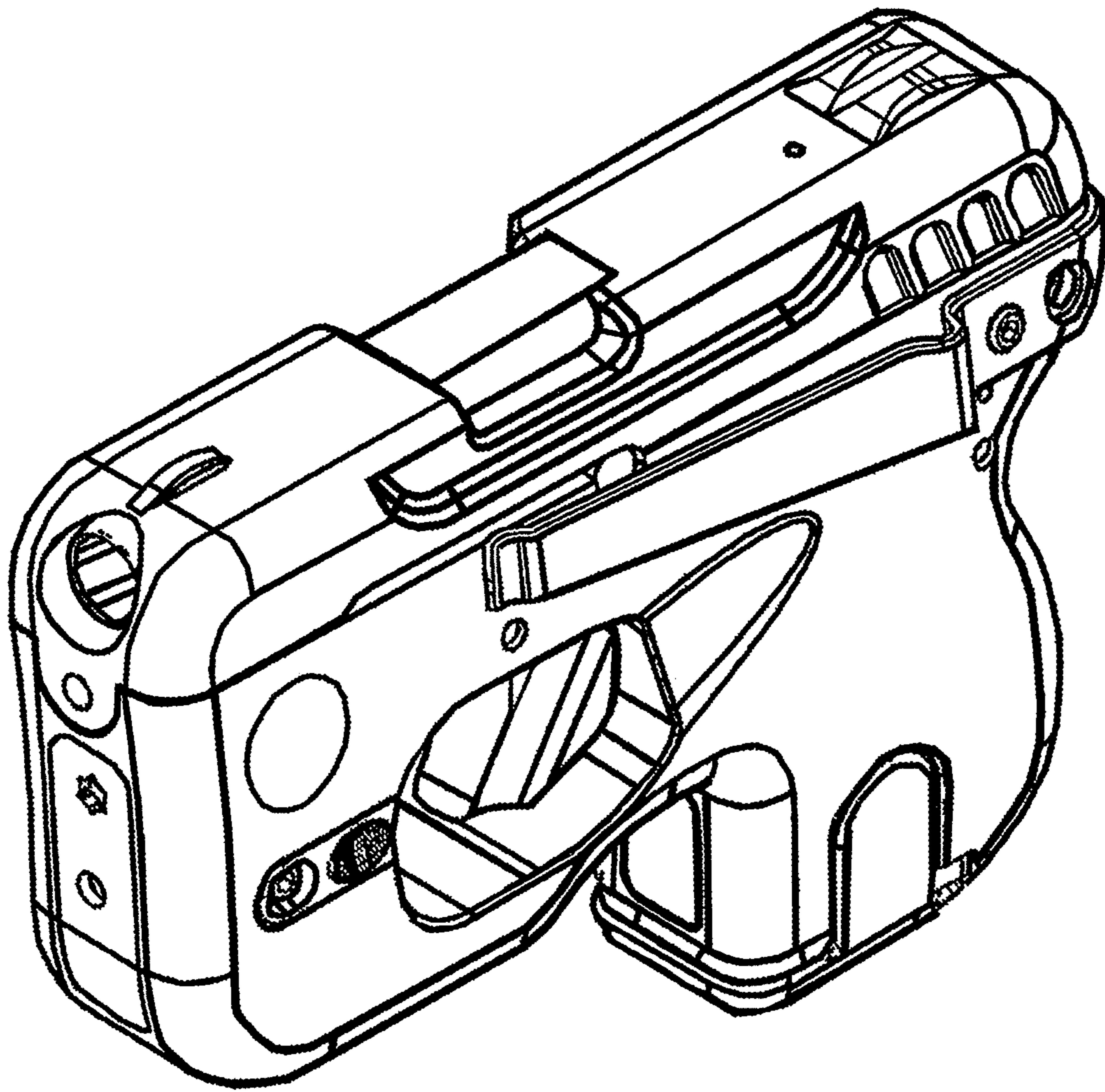


FIG. 9

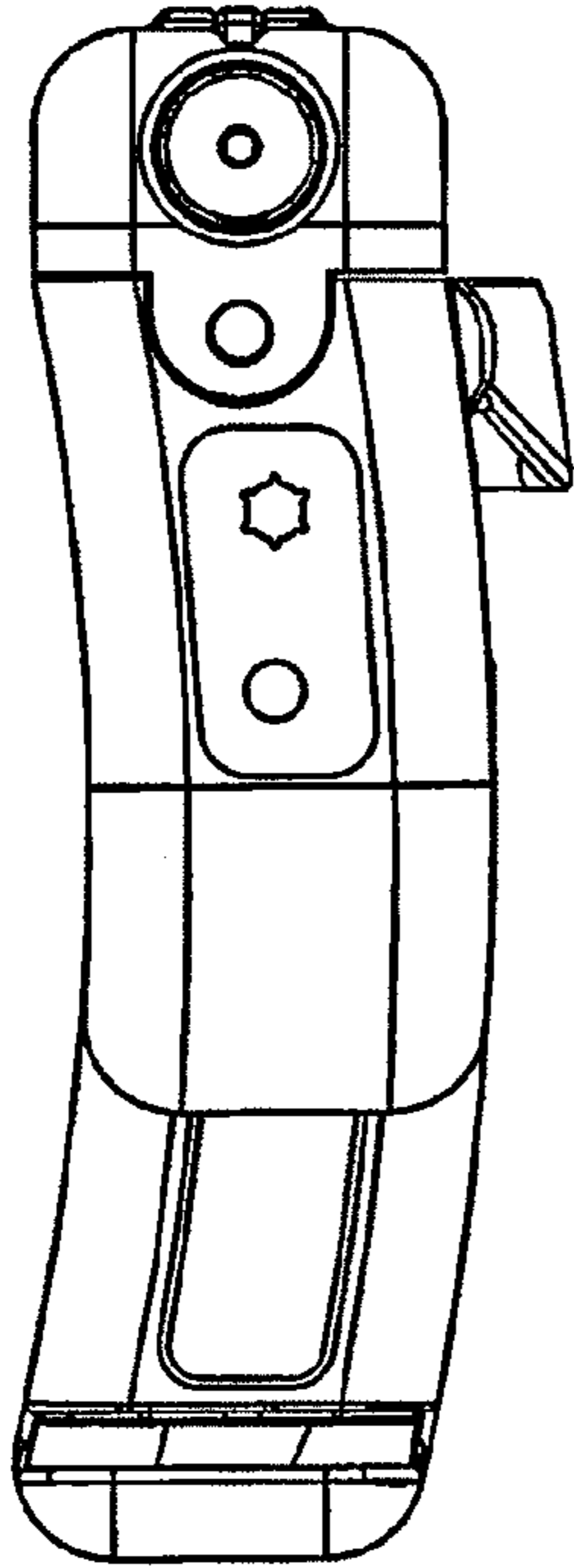


FIG. 10

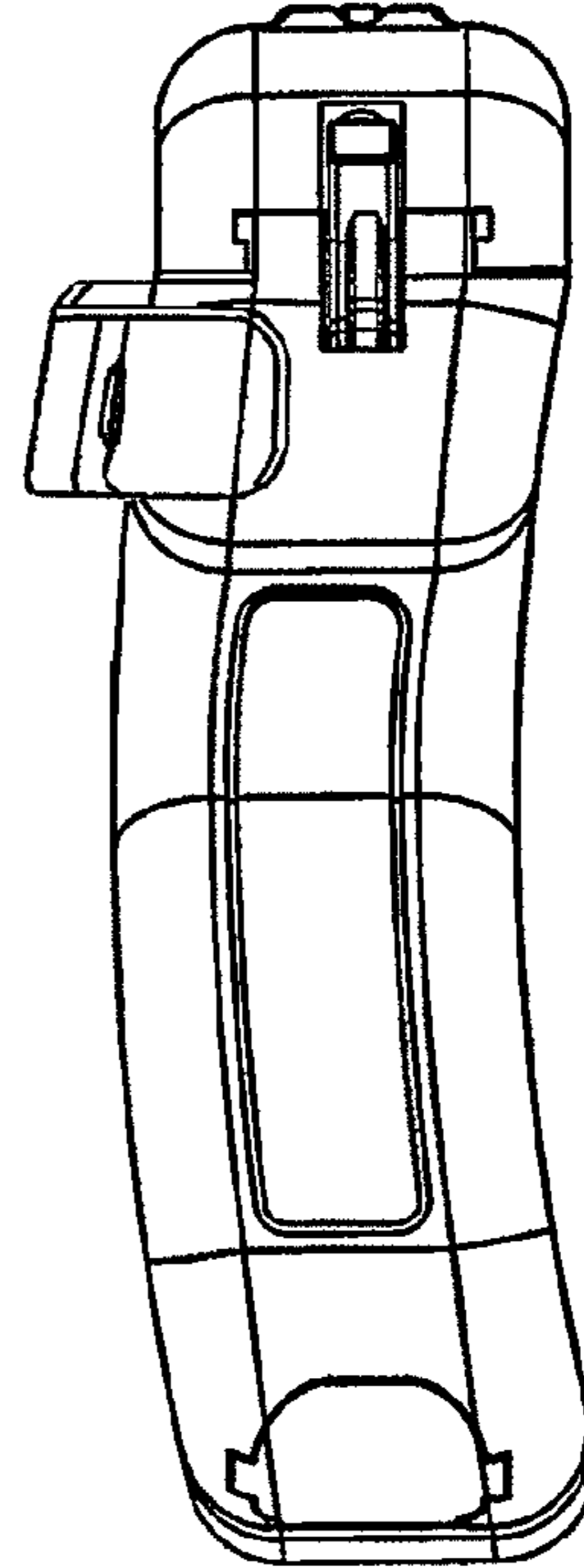


FIG. 11

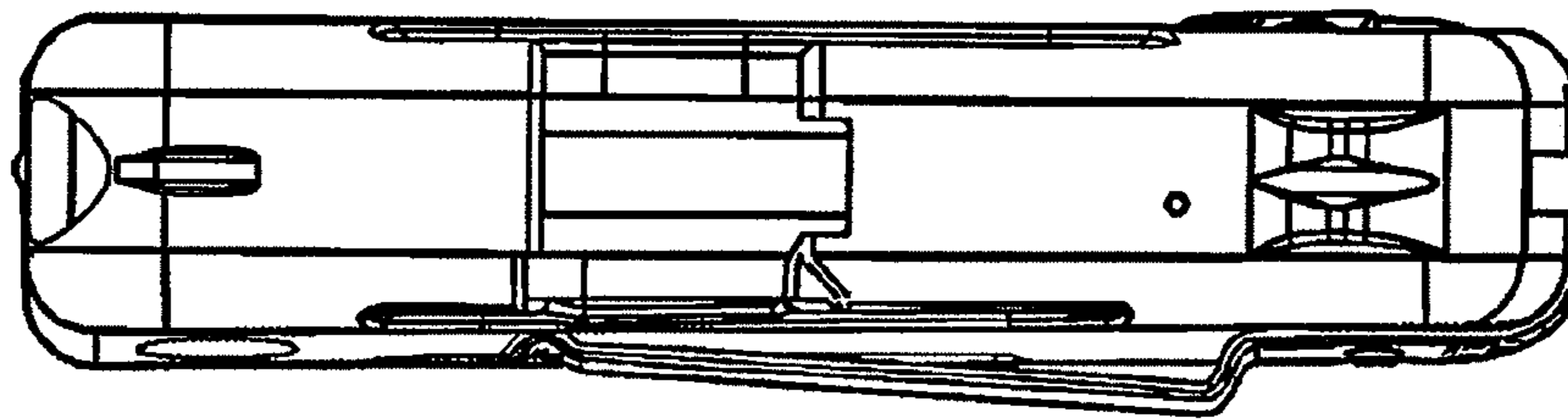


FIG. 12

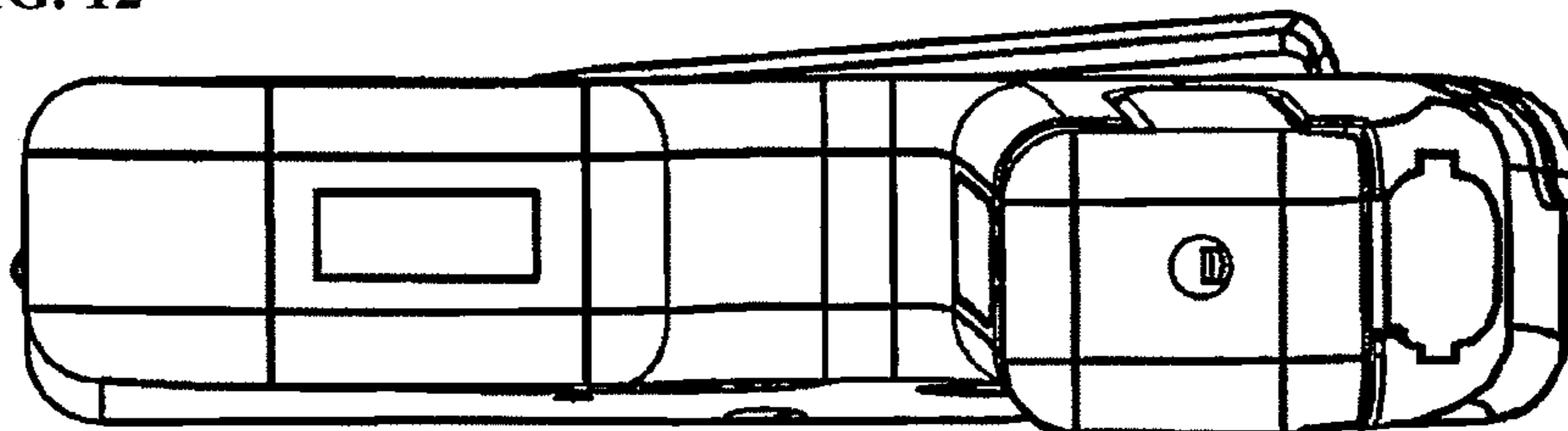


FIG. 13

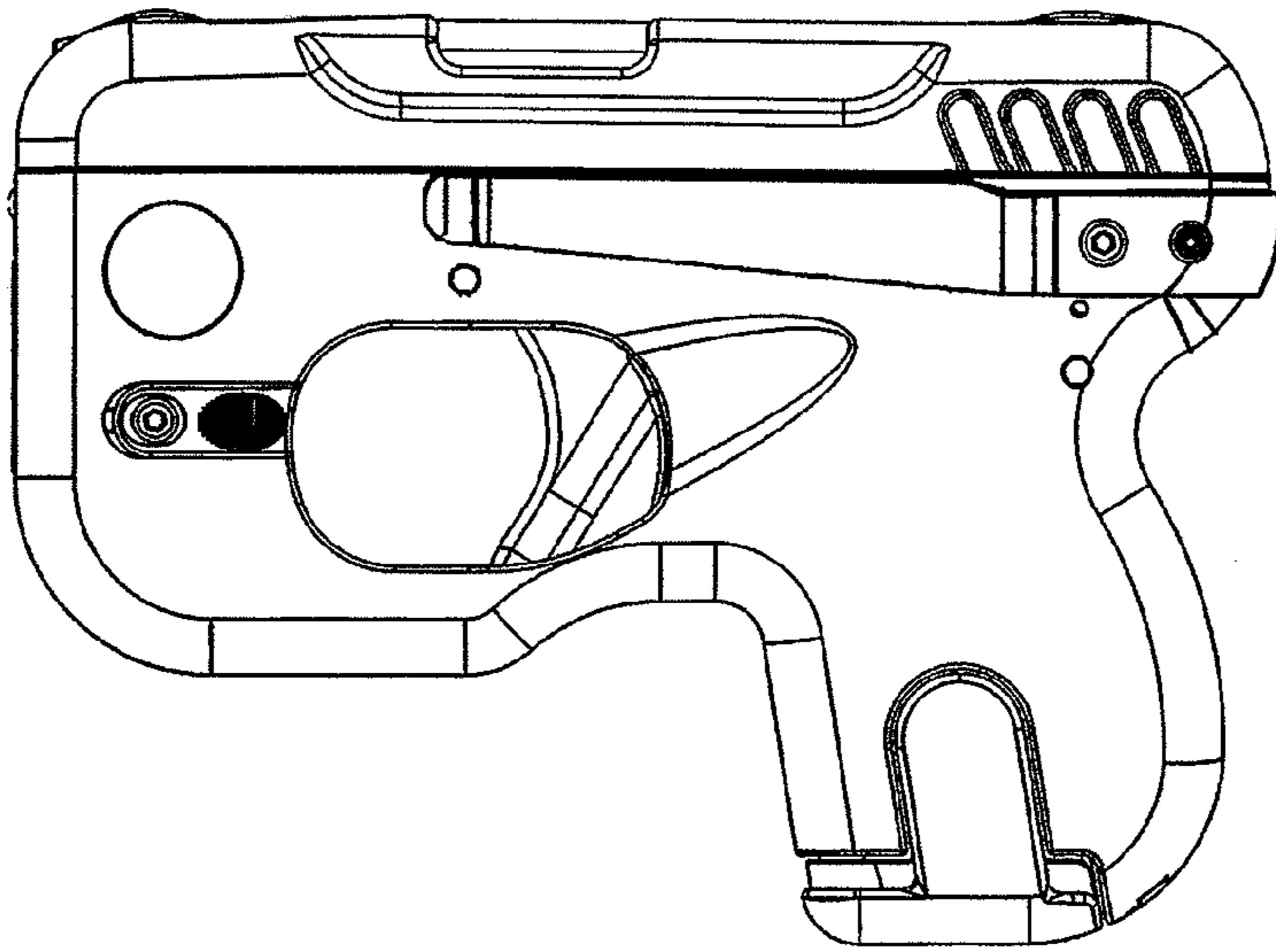


FIG. 14

