



US00D687504S

(12) **United States Design Patent**
Stokke et al.

(10) **Patent No.:** **US D687,504 S**

(45) **Date of Patent:** **** Aug. 6, 2013**

- (54) **GOLF CLUB HOSEL SLEEVE**
- (71) Applicant: **Karsten Manufacturing Corporation**,
Phoenix, AZ (US)
- (72) Inventors: **Ryan M. Stokke**, Phoenix, AZ (US);
Marty R. Jertson, Phoenix, AZ (US)
- (73) Assignee: **Karsten Manufacturing Corporation**,
Phoenix, AZ (US)

- 2,425,808 A 8/1947 Jay
- 2,644,689 A 7/1953 Putnam
- 2,962,286 A 11/1960 Brouwer
- 3,170,691 A 2/1965 Pritchard
- 3,176,987 A 4/1965 Johnston
- 3,206,206 A 9/1965 Santosuosso
- 3,330,601 A 7/1967 Proctor
- 3,524,646 A 8/1970 Wheeler
- 3,601,399 A 8/1971 Agens et al.
- 3,625,513 A 12/1971 Ballmer

(Continued)

- (**) Term: **14 Years**
- (21) Appl. No.: **29/451,863**
- (22) Filed: **Apr. 9, 2013**

Related U.S. Application Data

- (63) Continuation-in-part of application No. 13/429,319,
filed on Mar. 24, 2012.
- (51) **LOC (9) Cl.** **21-02**
- (52) **U.S. Cl.**
USPC **D21/759**
- (58) **Field of Classification Search**
USPC . D21/759, 789, 733, 752, 753; 473/305–312,
473/343–346, 324–331
See application file for complete search history.

(56) **References Cited**

U.S. PATENT DOCUMENTS

- 1,540,559 A 6/1925 Murphy
- 1,610,802 A 12/1926 McNair
- 1,623,523 A 4/1927 Bourke
- 1,665,811 A 4/1928 Hadden
- 1,918,583 A 7/1933 Bear
- 2,027,452 A 1/1936 Rusing
- 2,051,961 A 8/1936 Mears
- 2,067,556 A 1/1937 Wettlaufer
- 2,175,598 A 10/1939 Fedak
- 2,219,670 A 10/1940 Wettlaufer

OTHER PUBLICATIONS

John A. Solheim et al., “Golf Club with Hosel Inserts and Methods of Manufacturing Golf Clubs with Hosel Inserts,” U.S. Appl. No. 13/795,653, filed Mar. 12, 2013.

Primary Examiner — Mitchell Siegel

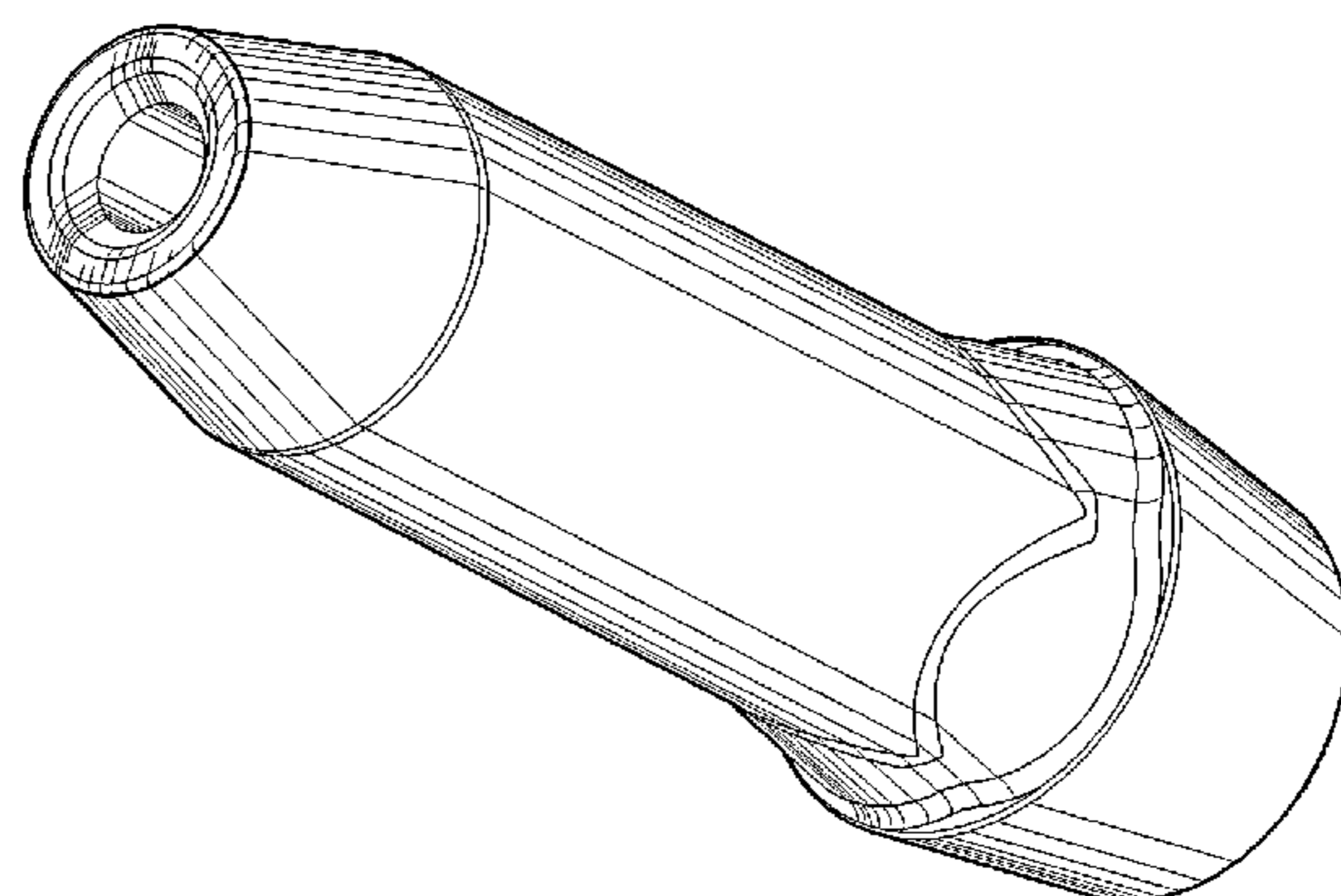
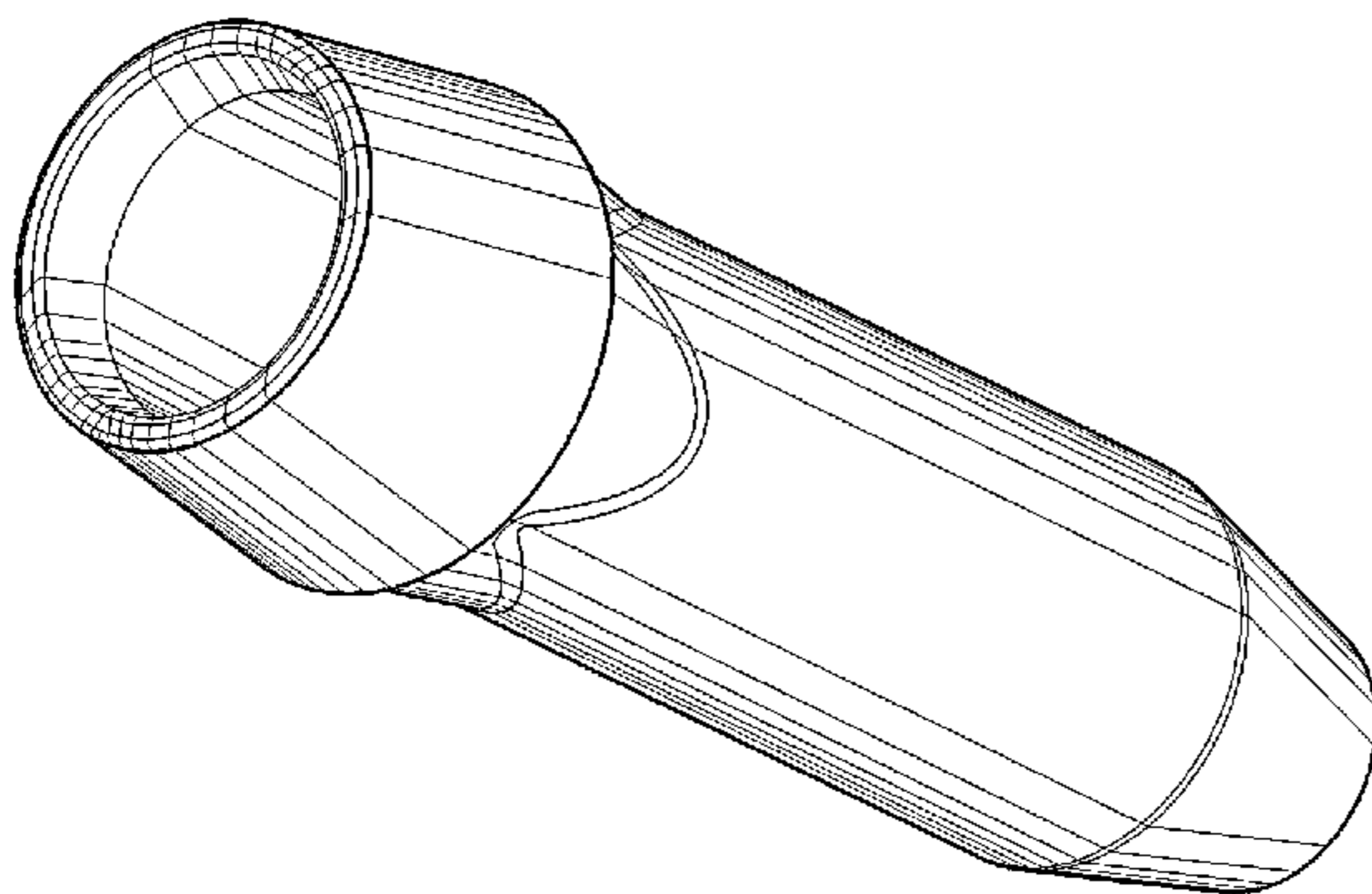
(57) **CLAIM**

The ornamental design for a golf club hosel sleeve, as shown and described.

DESCRIPTION

FIG. 1 is a top perspective view of a golf club hosel sleeve; FIG. 2 is a bottom perspective view of the golf club hosel sleeve of FIG. 1; FIG. 3 is a front elevational view of the golf club hosel sleeve of FIG. 1; FIG. 4 is a rear elevational view of the golf club hosel sleeve of FIG. 1; FIG. 5 is a top view of the golf club hosel sleeve of FIG. 1; FIG. 6 is a bottom view of the golf club hosel sleeve of FIG. 1; FIG. 7 is a left side view of the golf club hosel sleeve of FIG. 1; and, FIG. 8 is a right side view of the golf club hosel sleeve of FIG. 1.

1 Claim, 3 Drawing Sheets



US D687,504 S

Page 3

2010/0323808	A1	12/2010	Sato et al.	2011/0275448	A1	11/2011	Morris et al.
2010/0323809	A1	12/2010	Murphy	2011/0287853	A1	11/2011	Sato
2010/0331121	A1	12/2010	Morris et al.	2011/0319185	A1	12/2011	Beach et al.
2011/0009206	A1	1/2011	Soracco	2012/0010015	A1	1/2012	Bennett et al.
2011/0021282	A1	1/2011	Sander	2012/0034994	A1	2/2012	Knutson et al.
2011/0105242	A1	5/2011	Beach et al.	2012/0034995	A1	2/2012	Harvell et al.
2011/0118044	A1	5/2011	Sato et al.	2012/0034996	A1	2/2012	Murphy et al.
2011/0118045	A1	5/2011	Sato et al.	2012/0071261	A1	3/2012	Yamamoto
2011/0118048	A1	5/2011	Soracco	2012/0100926	A1	4/2012	Golden et al.
2011/0143854	A1	6/2011	Bennett et al.	2012/0165112	A1	6/2012	Bennett et al.
2011/0159983	A1	6/2011	Burnett et al.	2013/0053164	A1	2/2013	Jertson
2011/0177876	A1	7/2011	Bennett et al.	2013/0053167	A1	2/2013	Jertson
2011/0190072	A1	8/2011	Beach et al.				
2011/0201447	A1	8/2011	Thomas et al.				
2011/0207547	A1	8/2011	Sander et al.				

* cited by examiner

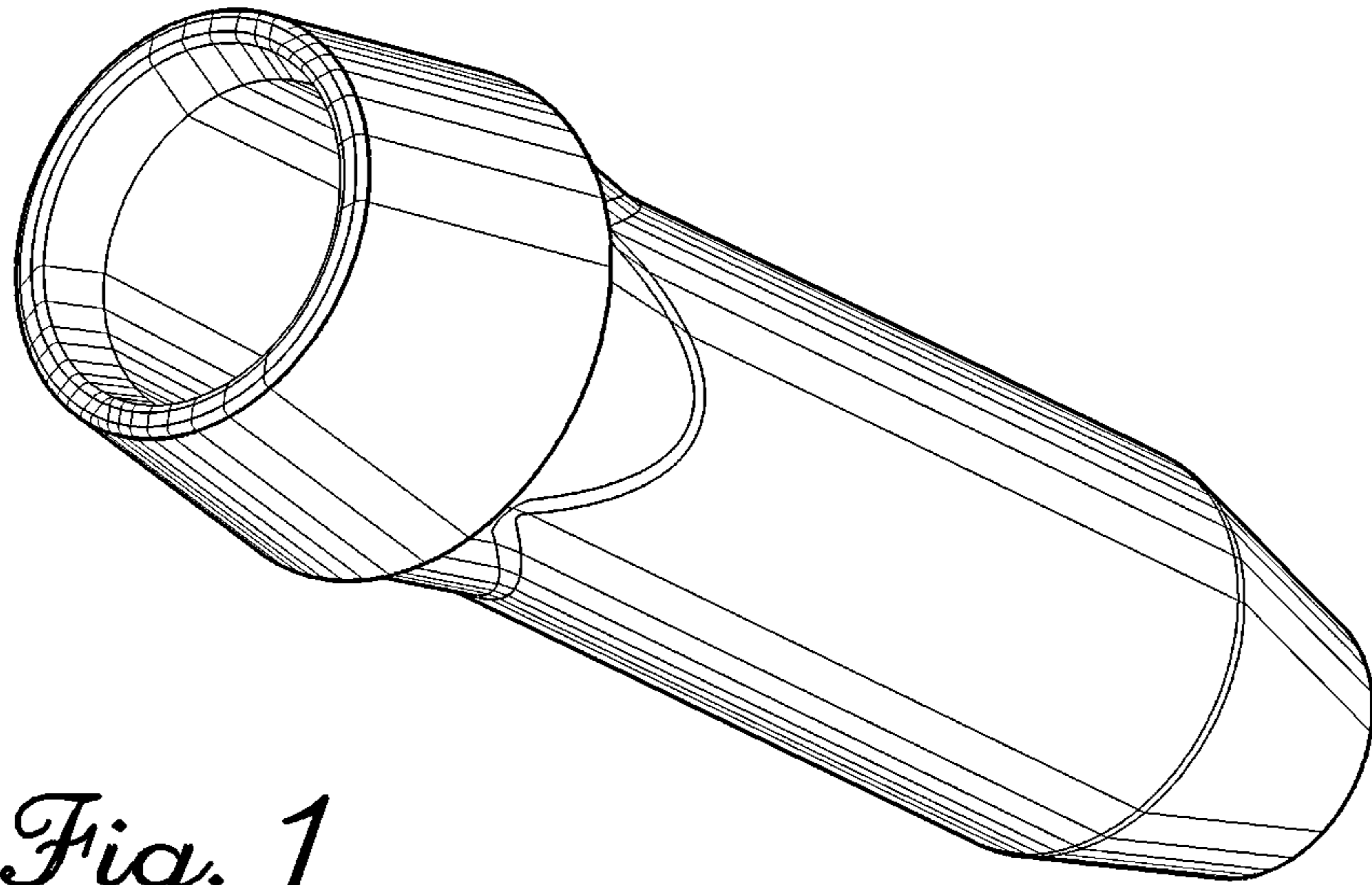


Fig. 1

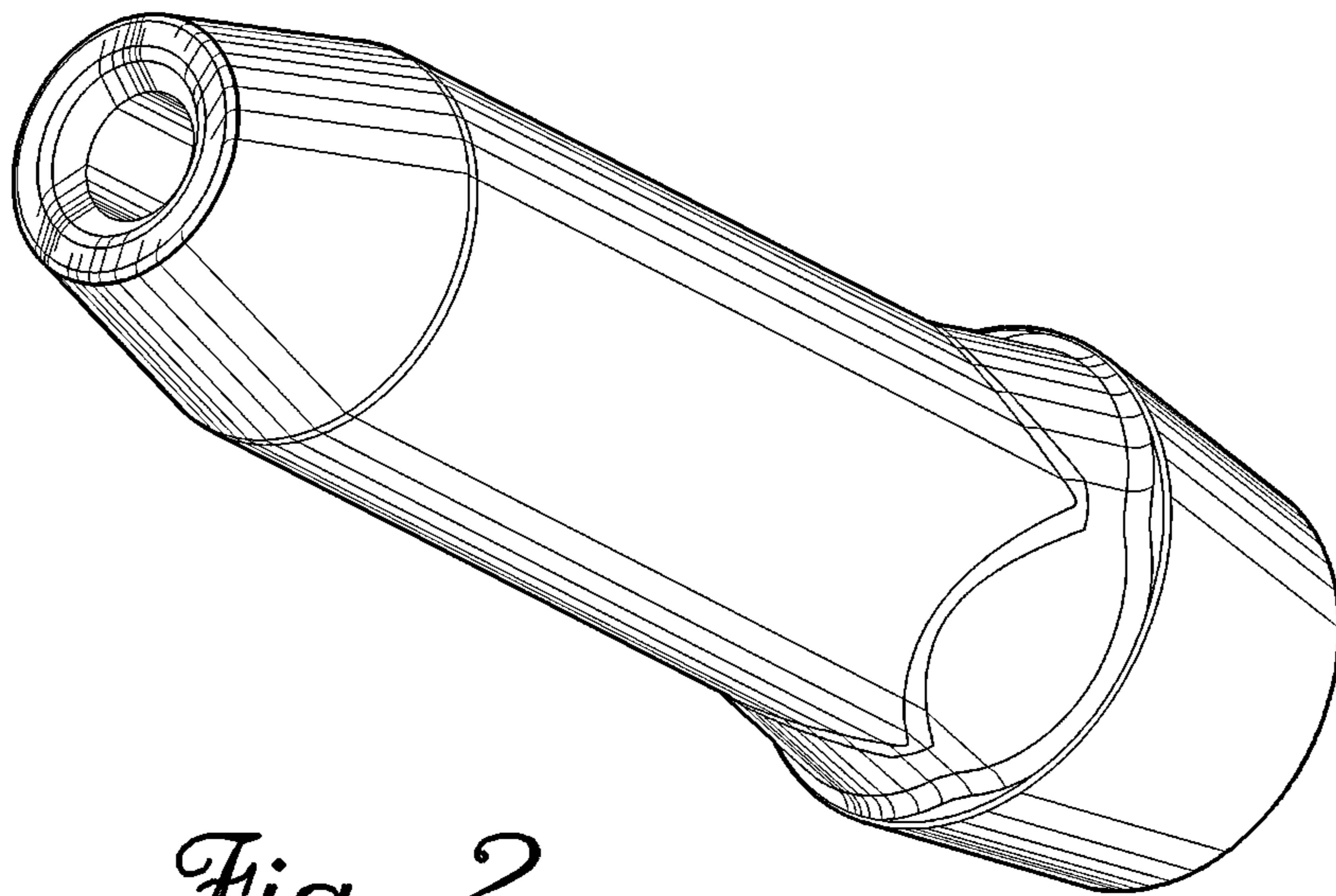


Fig. 2

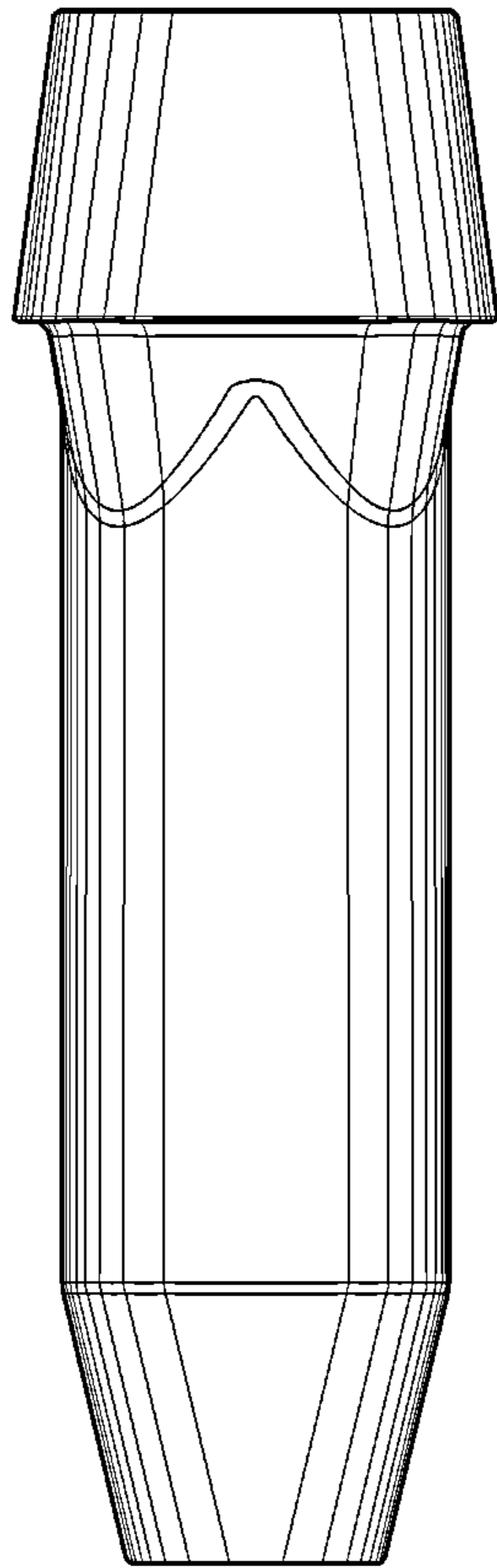


Fig. 3

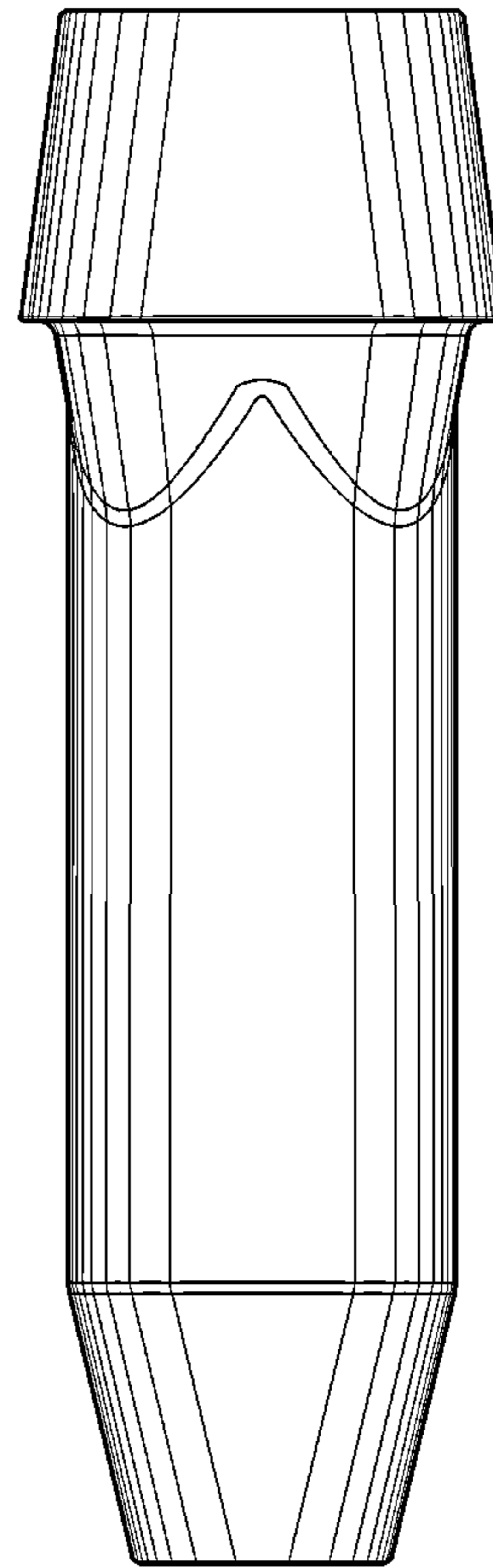


Fig. 4

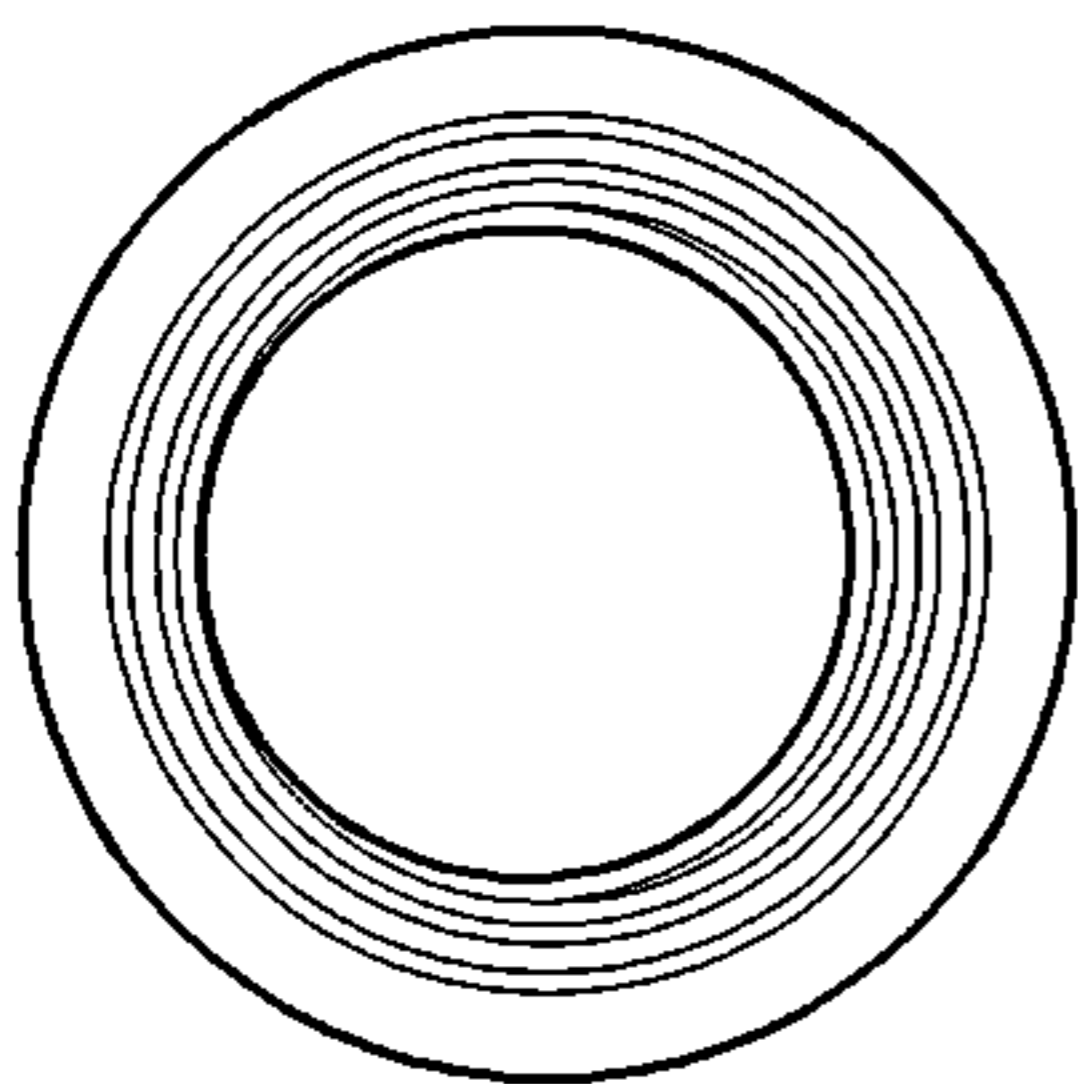


Fig. 5

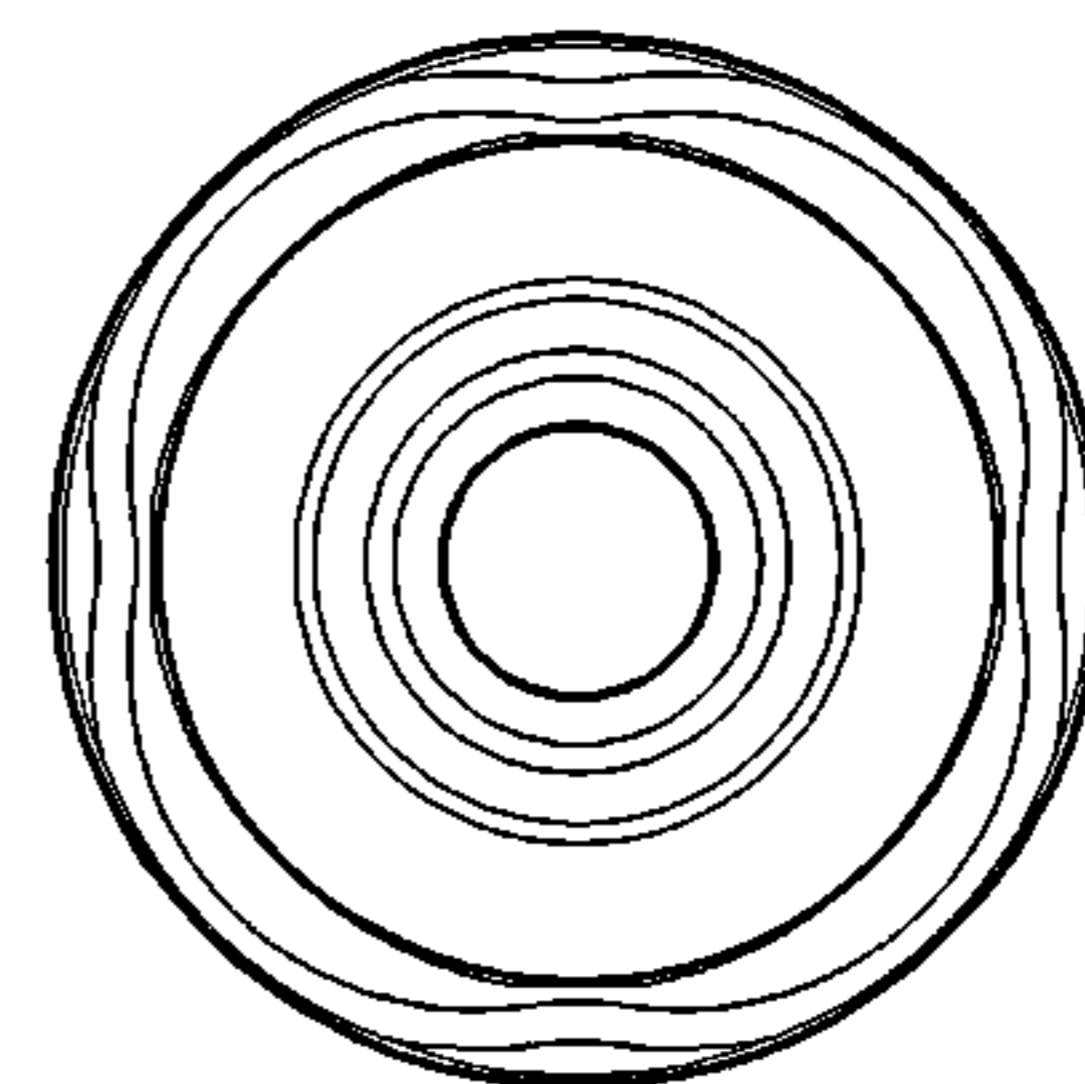


Fig. 6

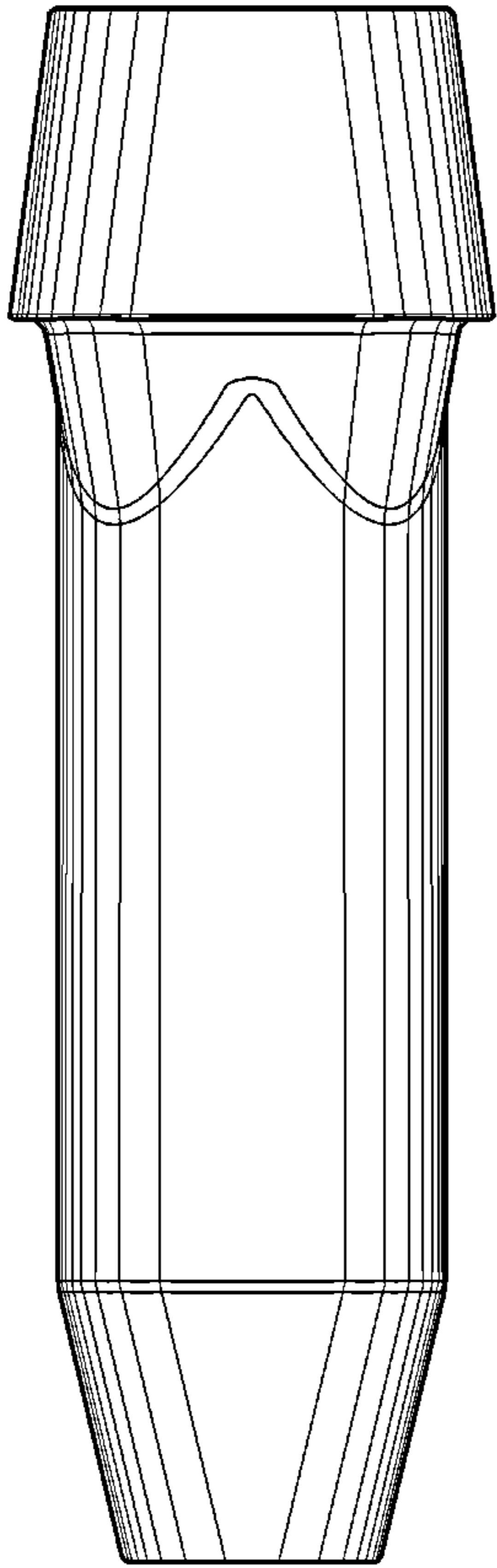


Fig. 7

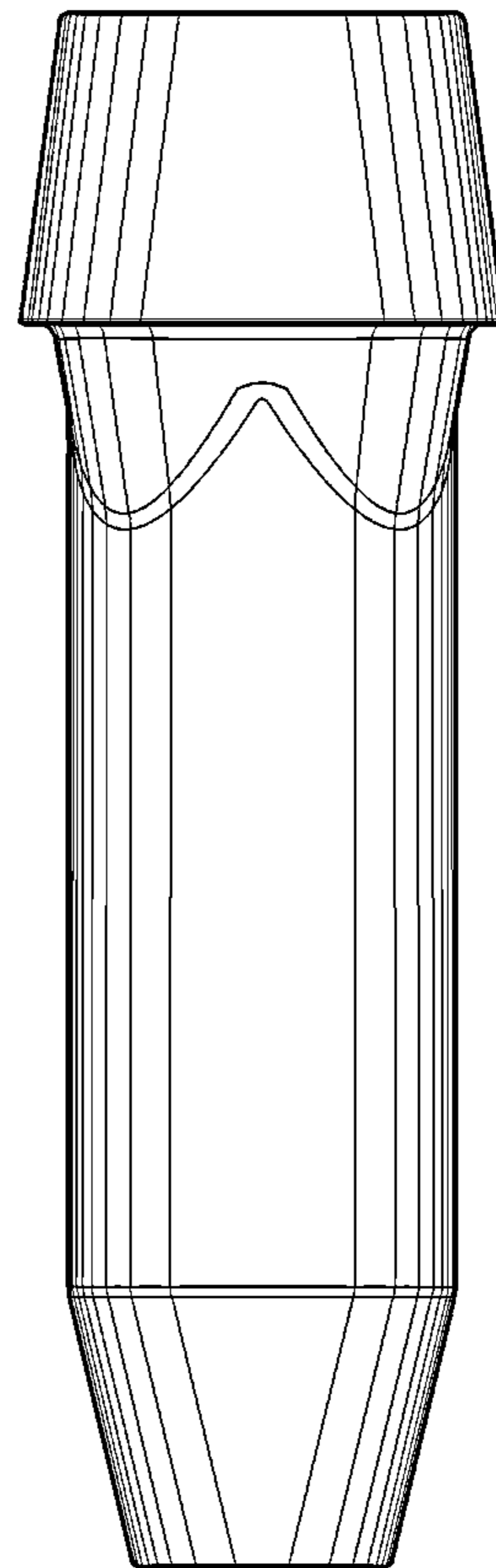


Fig. 8