



US00D687499S

(12) **United States Design Patent**
Horne

(10) **Patent No.:** **US D687,499 S**

(45) **Date of Patent:** **** Aug. 6, 2013**

(54) **SCALLOPED HEAD STEM**

(75) Inventor: **Mike Horne**, Clayton (AU)

(73) Assignee: **Madd Gear Pty. Ltd.**, Clayton, Vic (AU)

(**) Term: **14 Years**

(21) Appl. No.: **29/410,810**

(22) Filed: **Jan. 12, 2012**

(30) **Foreign Application Priority Data**

Nov. 4, 2011 (AU) 14963/2011

(51) **LOC (9) Cl.** **21-01**

(52) **U.S. Cl.**
USPC **D21/423**

(58) **Field of Classification Search**

USPC D21/419, 421, 423, 426, 769, 760,
D21/765, 771, 803; D12/1, 8; 280/14.21,
280/14.25, 14.26, 87.041, 87.042, 87.05,
280/263, 288.1, 288.2, 288.4, 200, 214, 809;
180/180, 181; D8/354

See application file for complete search history.

(56) **References Cited**

U.S. PATENT DOCUMENTS

4,799,701 A * 1/1989 Lindau et al. 280/87.041
D437,363 S * 2/2001 Chen D21/423
D437,621 S * 2/2001 Chen D21/423

D438,911 S * 3/2001 Chen D21/423
D441,035 S * 4/2001 Yam D21/423
D446,258 S * 8/2001 Wang D21/423
D454,599 S * 3/2002 Chen D21/423
D457,574 S * 5/2002 Chen D21/423
6,443,470 B1 * 9/2002 Ulrich et al. 280/87.041
6,481,729 B2 * 11/2002 Herman et al. 280/87.05
6,481,913 B2 * 11/2002 Chen 403/83
D495,759 S * 9/2004 Chen D21/423
D495,760 S * 9/2004 Chen D21/423
D569,447 S * 5/2008 Thomas D21/423
D641,801 S * 7/2011 Wilson et al. D21/423
D671,600 S * 11/2012 Horne D21/423

* cited by examiner

Primary Examiner — Cynthia M Chin

(74) *Attorney, Agent, or Firm* — Troutman Sanders LLP;
Robert R. Elliott, Jr.

(57) **CLAIM**

The ornamental design for a scalloped head stem, as shown and described.

DESCRIPTION

FIG. 1 is a rear, top perspective view of a scalloped head stem; FIG. 2 is a right side view of a scalloped head stem; FIG. 3 is a front view of a scalloped head stem; FIG. 4 is a rear view of a scalloped head stem; and, FIG. 5 is a top view of a scalloped head stem.

The broken lines immediately adjacent the shaded areas represent the bounds of the claim and all other broken lines represent the environment in which the article resides. None of the broken lines form a part of the claimed design.

1 Claim, 5 Drawing Sheets

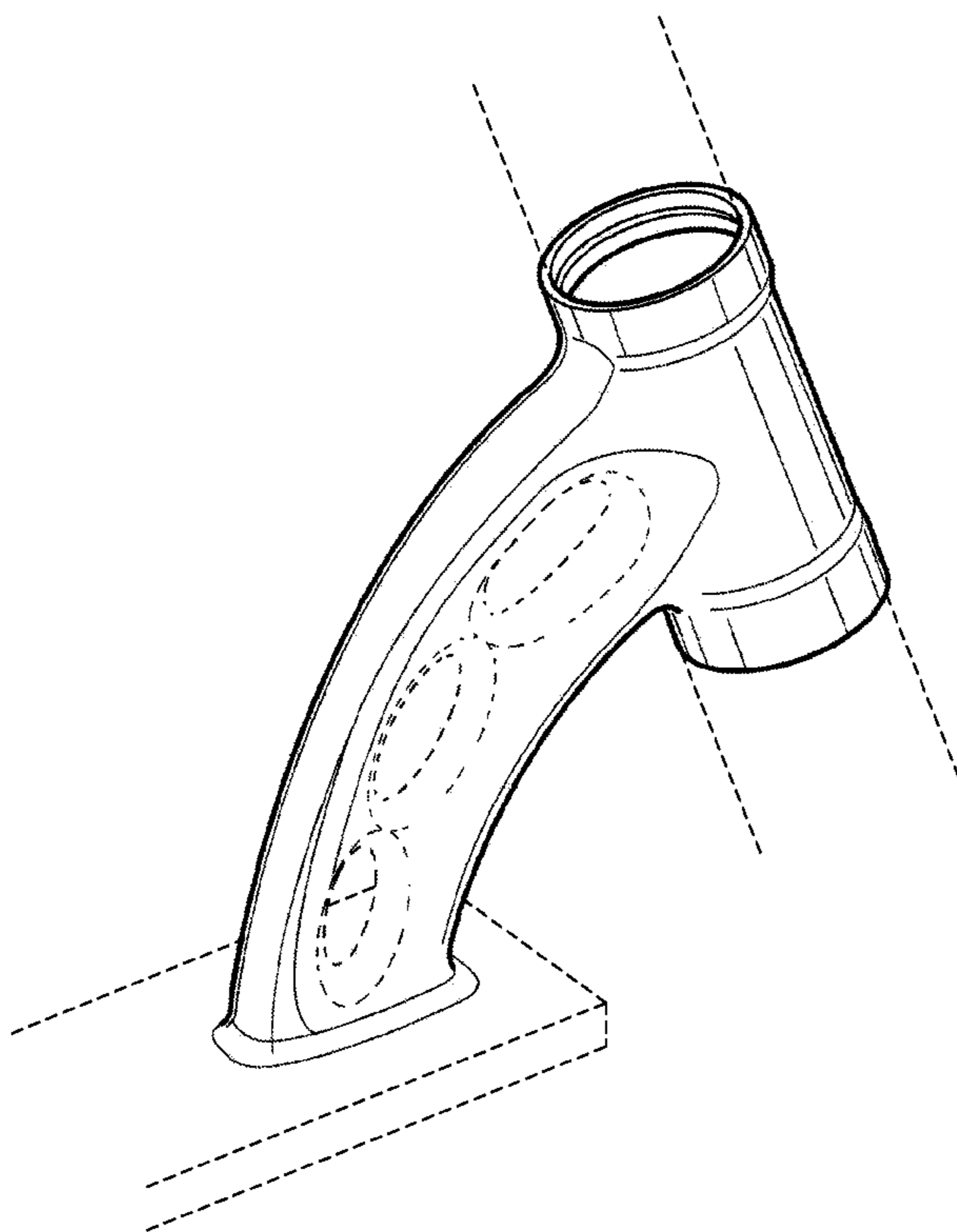


Fig. 1

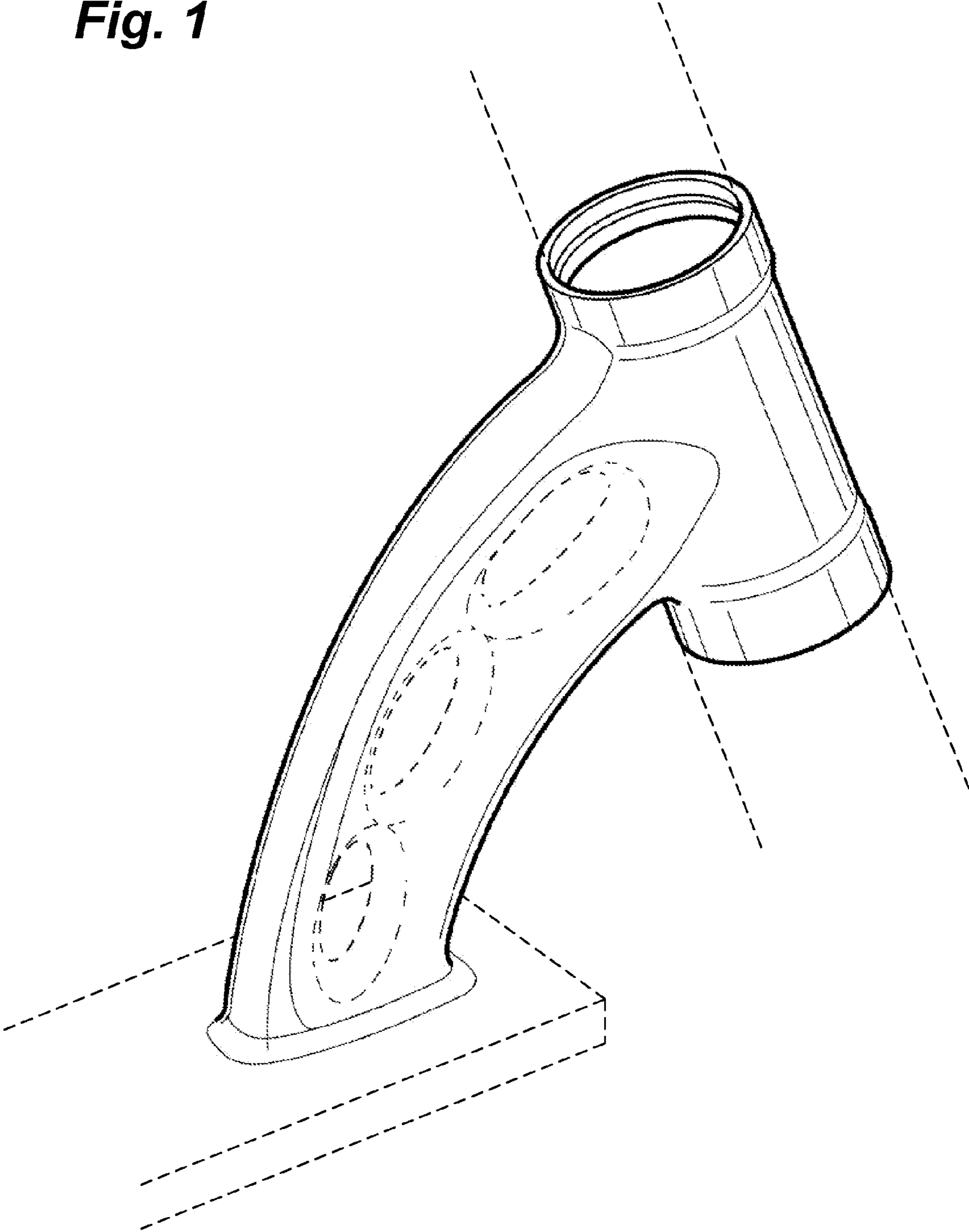


Fig. 2

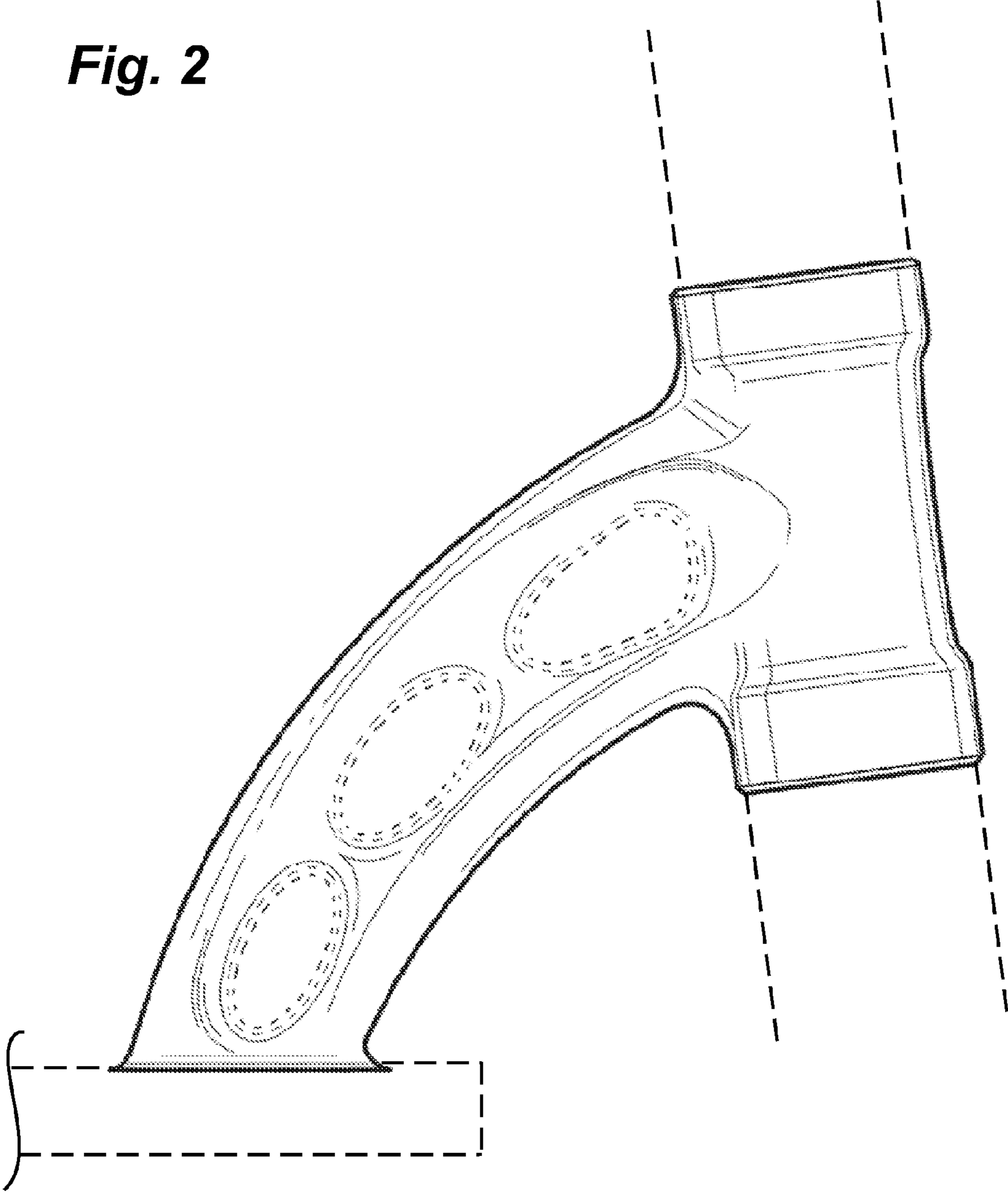


Fig. 3

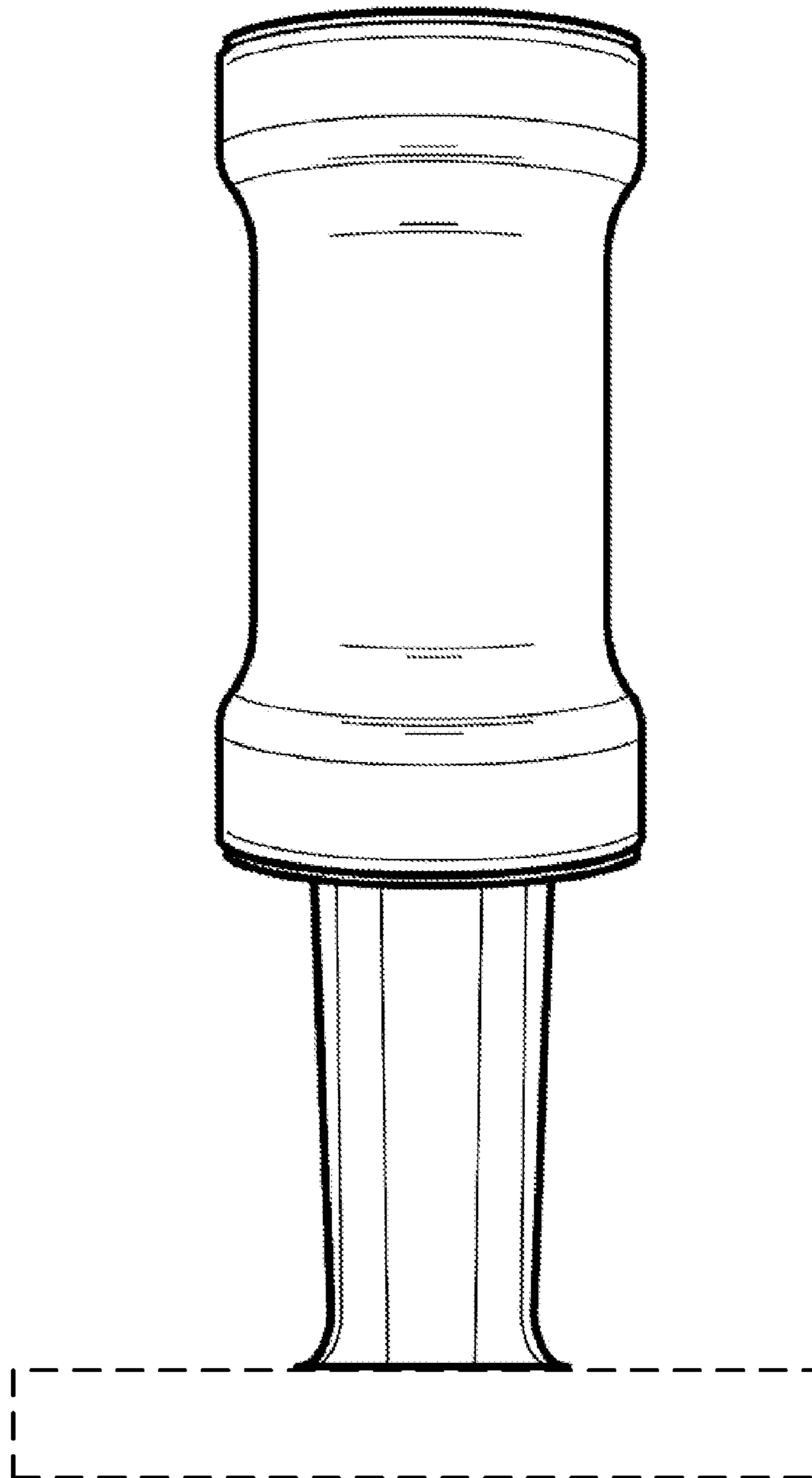
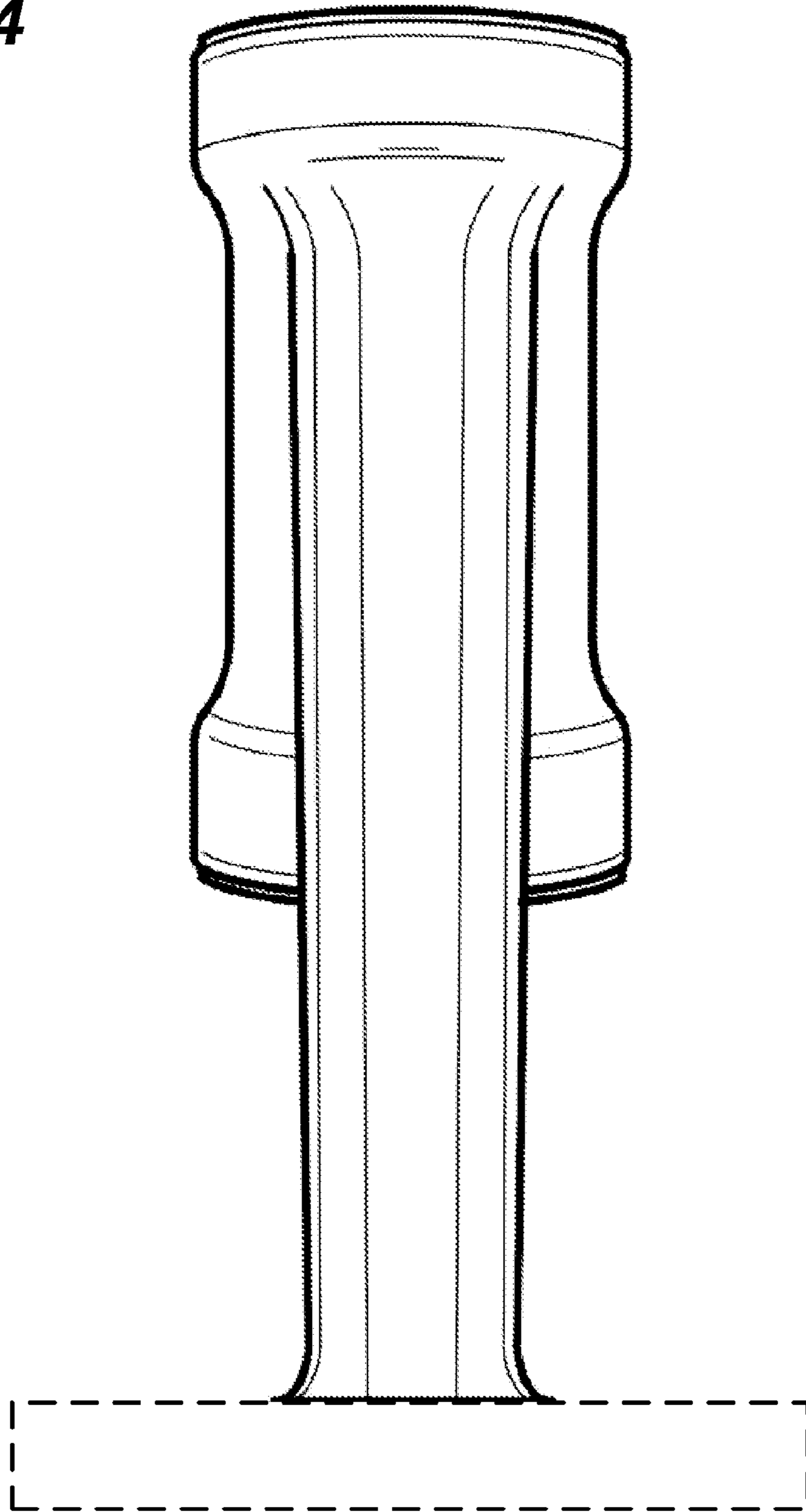


Fig. 4



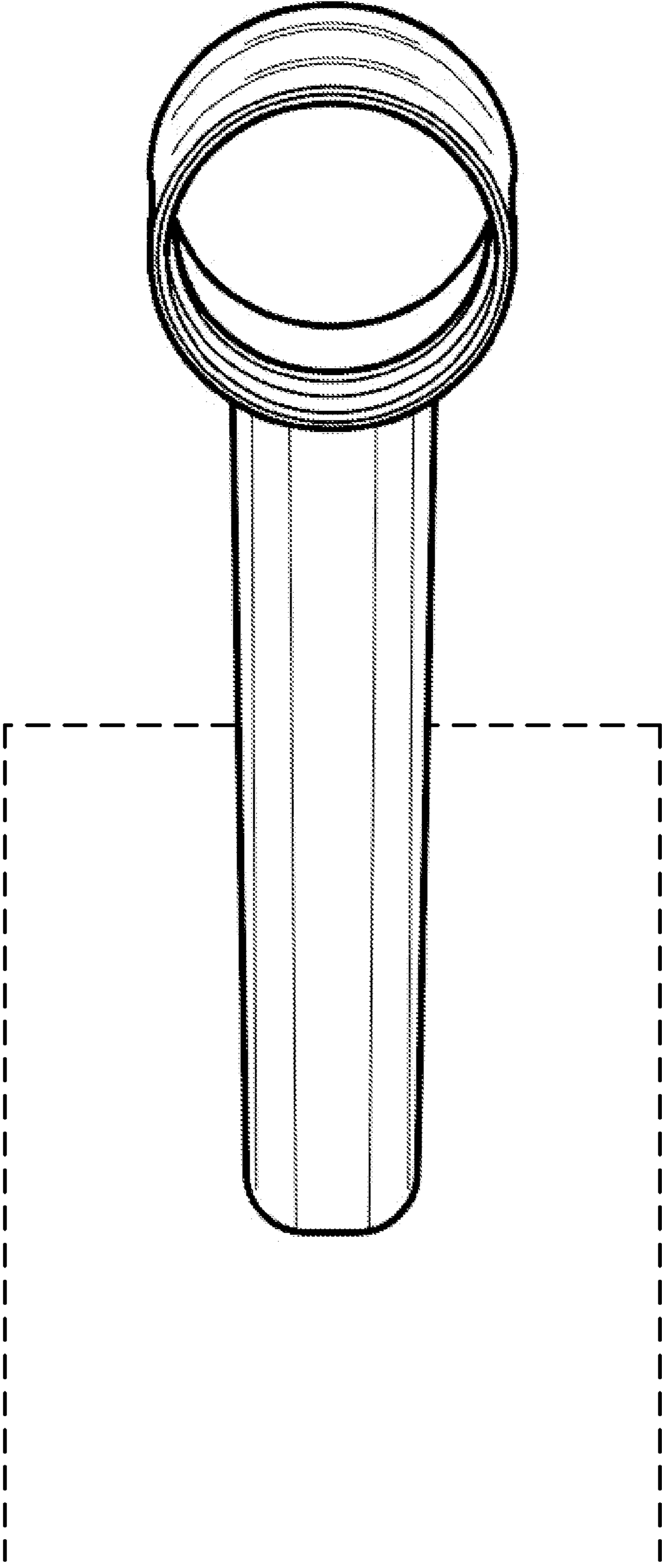


Fig. 5