



US00D687497S

(12) **United States Design Patent**
Mattaliano

(10) **Patent No.:** **US D687,497 S**

(45) **Date of Patent:** **** Aug. 6, 2013**

(54) **SCROLLING DISPLAY DEVICE**

Primary Examiner — Mary Ann Calabrese

(74) *Attorney, Agent, or Firm* — Baker & Rannells, PA

(75) Inventor: **Vincent Mattaliano**, Martinsville, NJ
(US)

(73) Assignee: **Victory Marketing Group, Inc.**,
Bridgewater, NJ (US)

(57) **CLAIM**

The ornamental design for a scrolling display device, as shown and described.

(**) Term: **14 Years**

DESCRIPTION

(21) Appl. No.: **29/414,915**

(22) Filed: **Mar. 6, 2012**

(51) **LOC (9) Cl.** **20-03**

(52) **U.S. Cl.**
USPC **D20/42**

(58) **Field of Classification Search**
USPC D20/10, 19, 29, 39-43, 99; 40/109,
40/116, 117, 347, 375, 380, 385, 438, 446,
40/483, 491, 514, 517, 518, 538, 539, 541,
40/542, 548, 553, 559, 564, 568, 571, 575,
40/584, 587, 603, 604, 617, 618; D10/109.1,
D10/190.2, 113.4; 160/370.22; 362/812;
434/412, 420

See application file for complete search history.

FIG. 1 is a front right perspective view of a scrolling display device showing my new design in an unscrolled position;
FIG. 2 is a left perspective view thereof showing my new design in an unscrolled position;
FIG. 3 is a front right perspective view thereof showing my new design in a scrolled position;
FIG. 4 is a front elevational view thereof showing my new design in a scrolled position;
FIG. 5 is a rear elevational view thereof showing my new design in a scrolled position;
FIG. 6 is a top plan view thereof showing my new design in a scrolled position;
FIG. 7 is a bottom plan view thereof showing my new design in a scrolled position;
FIG. 8 is a right side elevational view thereof showing my new design in a scrolled position;
FIG. 9 is a left side elevational view thereof showing my new design in a scrolled position;
FIG. 10 is a reduced scale front elevational view thereof showing my new design in an unscrolled position;
FIG. 11 is a rear elevational view thereof showing my new design in an unscrolled position;
FIG. 12 is a top plan view thereof showing my new design in an unscrolled position;
FIG. 13 is a bottom plan view thereof showing my new design in an unscrolled position;
FIG. 14 is a left side elevational view thereof showing my new design in an unscrolled position; and,
FIG. 15 is a right side elevational view thereof showing my new design in an unscrolled position.

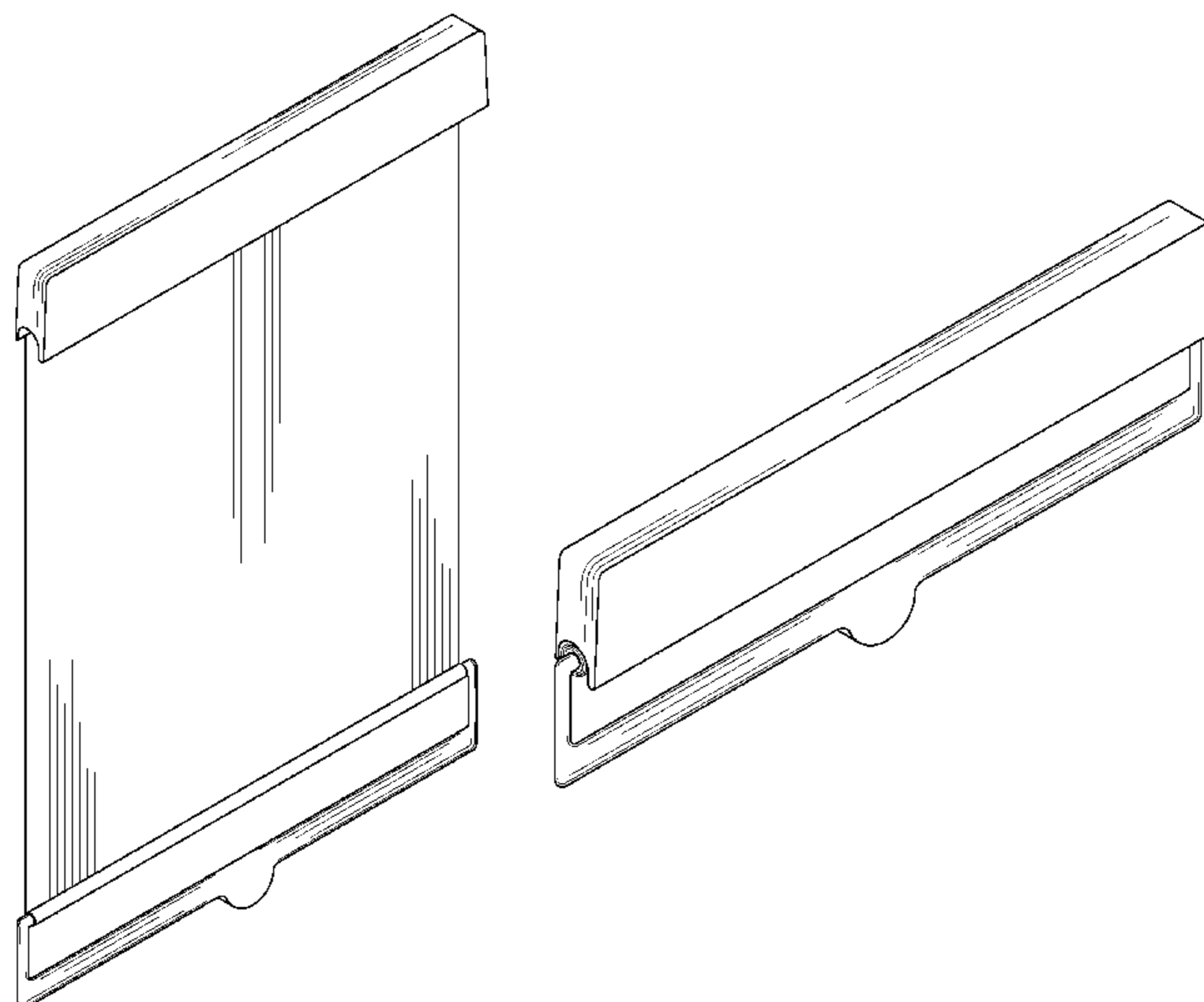
(56) **References Cited**

U.S. PATENT DOCUMENTS

6,038,800	A *	3/2000	Seidel	40/517
6,176,028	B1	1/2001	Walsh et al.	
D500,805	S *	1/2005	Hinds	D20/21
7,168,195	B1 *	1/2007	Seidel	40/517
7,428,792	B2	9/2008	Kochan et al.	
7,901,213	B1 *	3/2011	Beno	434/412
2002/0011015	A1 *	1/2002	Larson et al.	40/604
2004/0098895	A1 *	5/2004	Sparkowski	40/617
2007/0029058	A1 *	2/2007	Lin	160/370.22
2008/0005942	A1 *	1/2008	Harney	40/518
2009/0031599	A1 *	2/2009	Ogikubo et al.	40/603
2010/0055661	A1 *	3/2010	Hegwood	434/420
2011/0099075	A1 *	4/2011	Hannon	705/14.68
2012/0073171	A1 *	3/2012	Boltz et al.	40/604

* cited by examiner

1 Claim, 5 Drawing Sheets



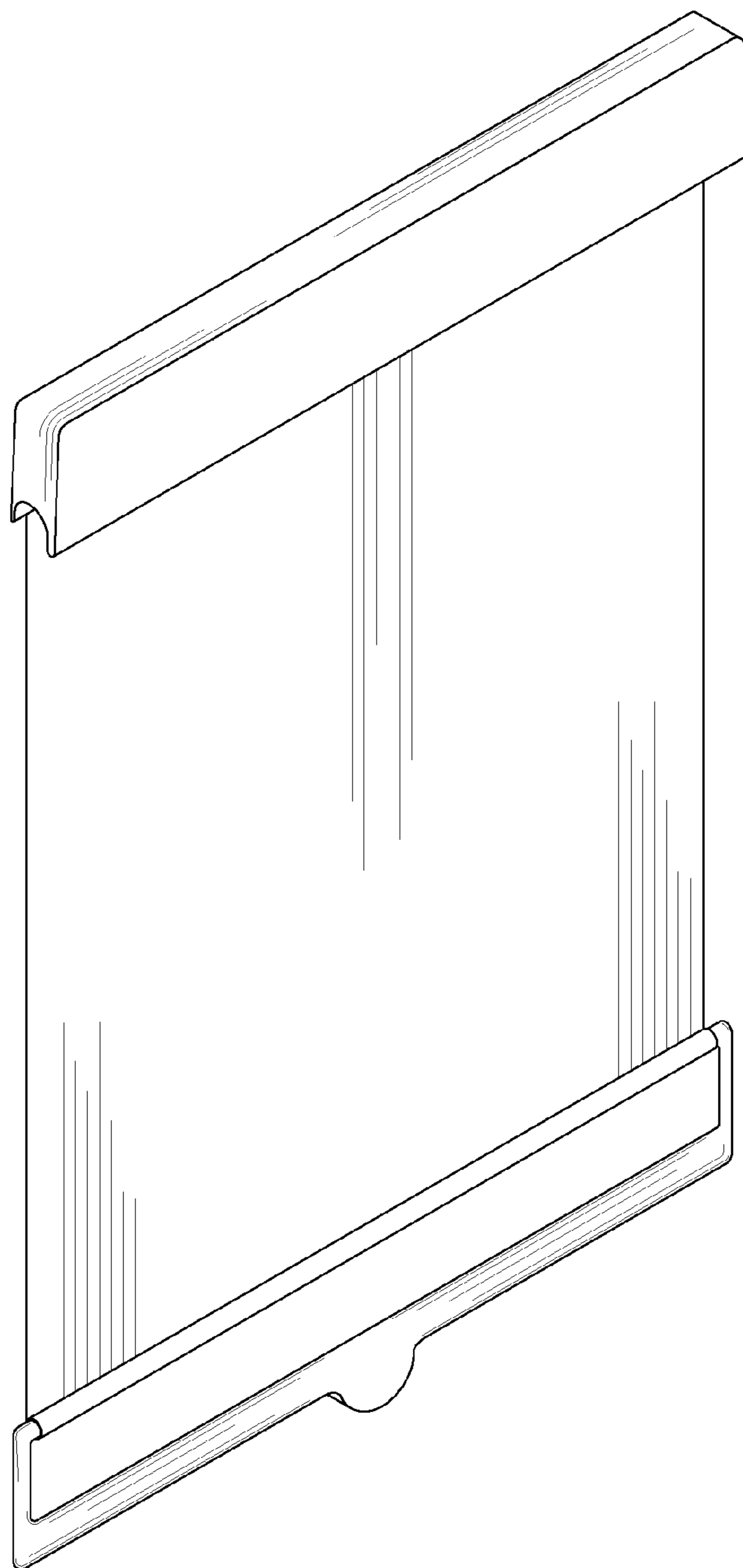


Fig. 1

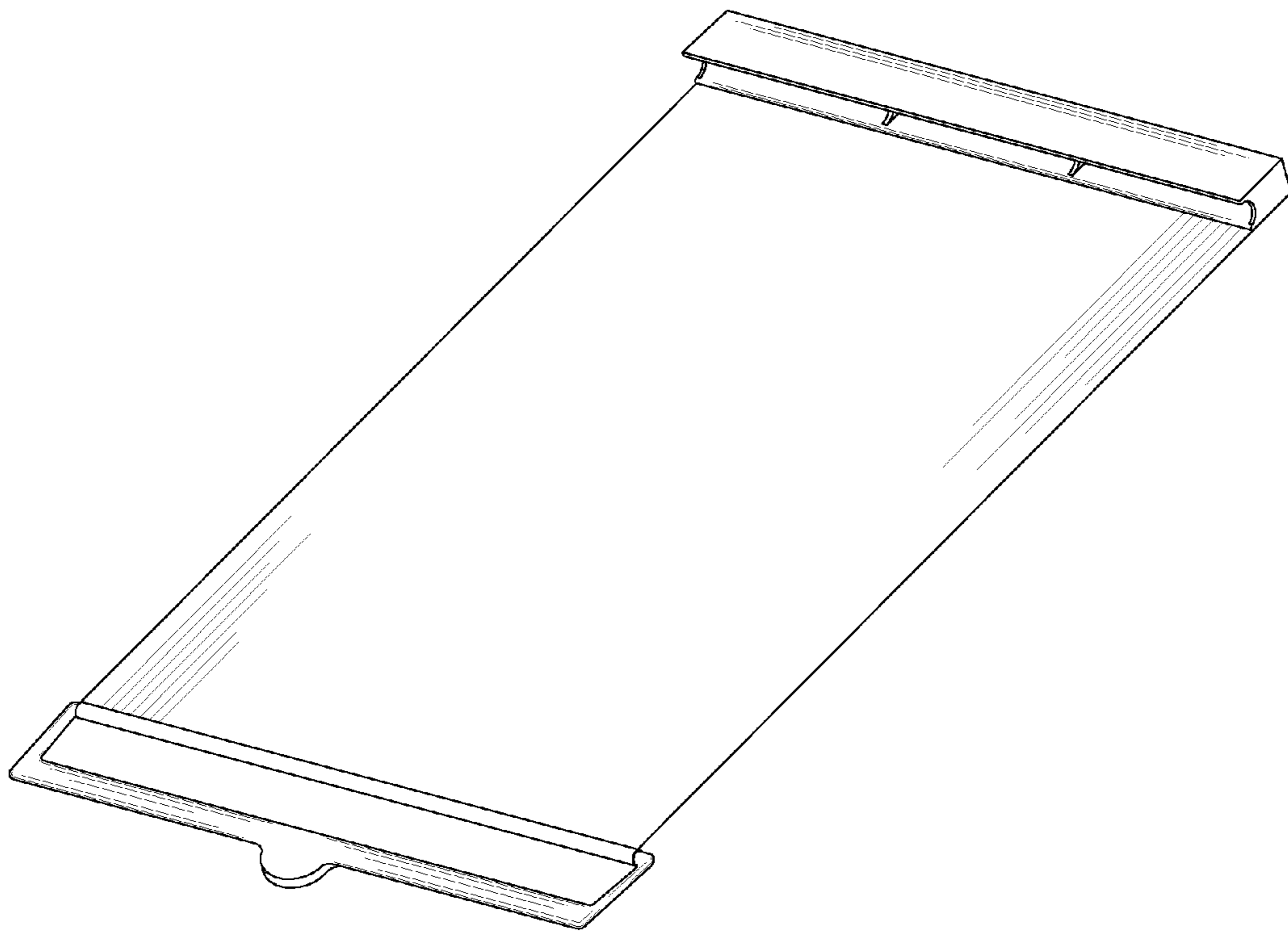


Fig. 2

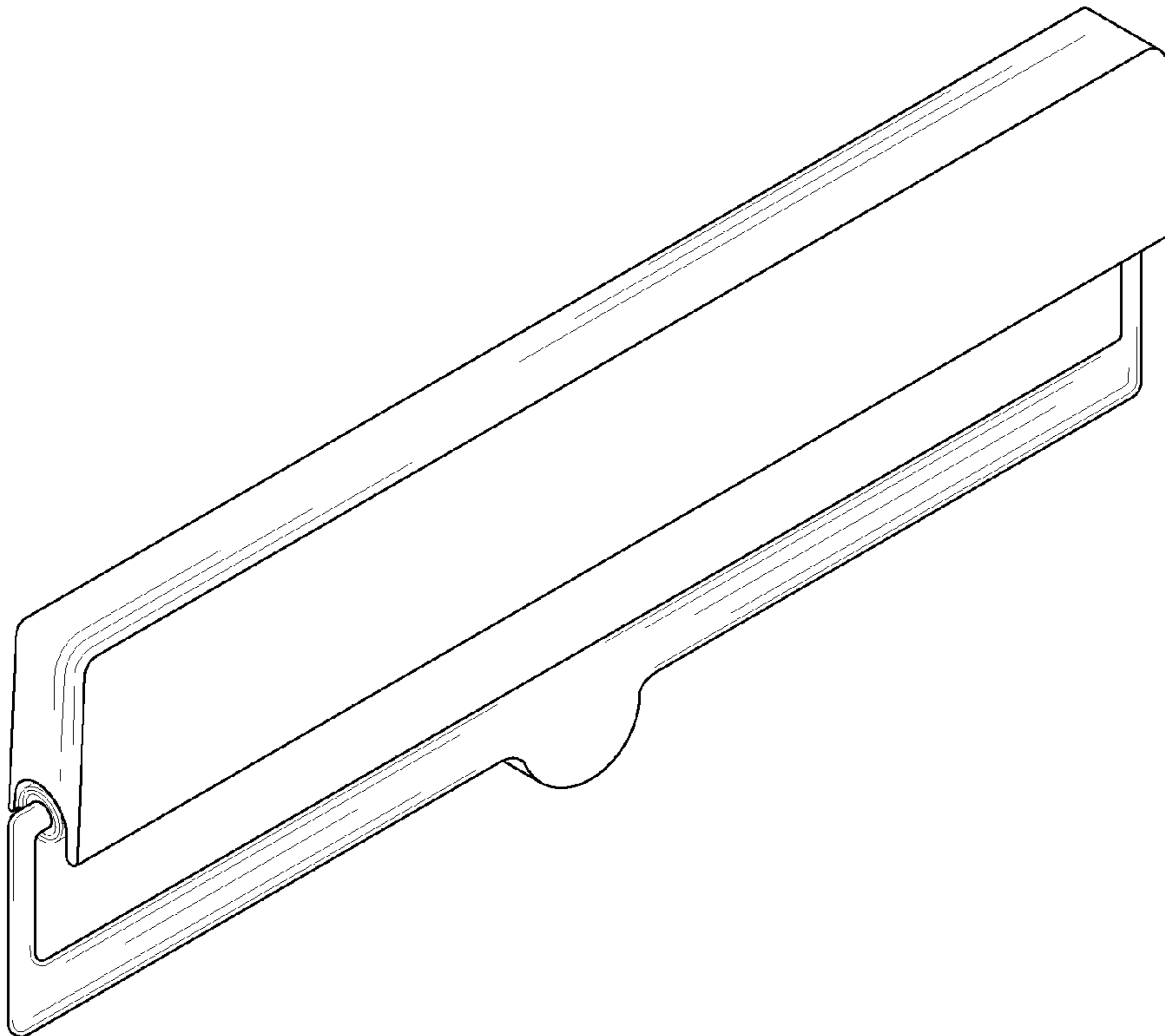


Fig. 3

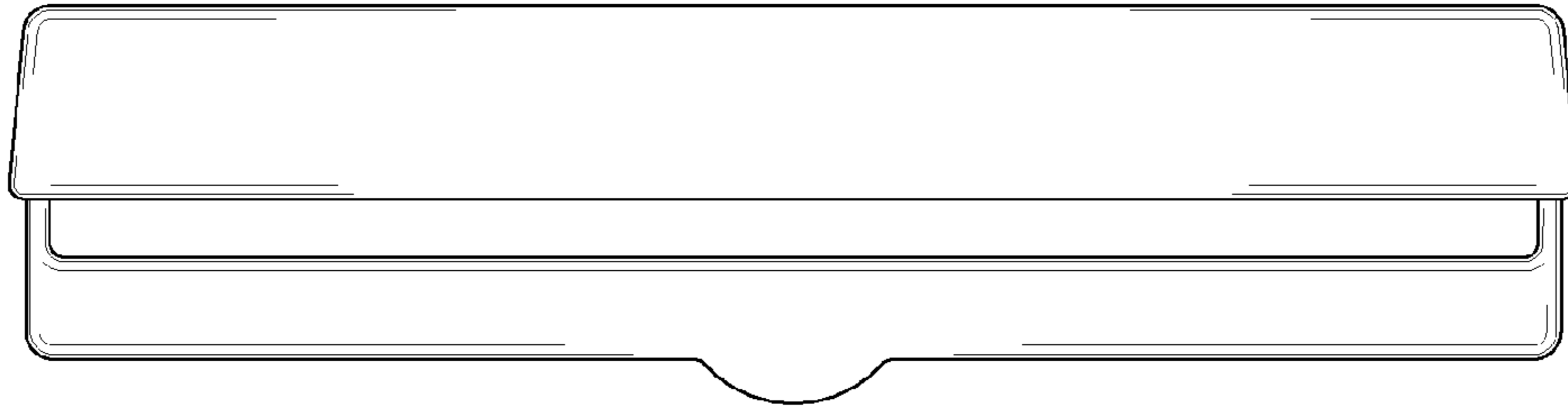


Fig. 4

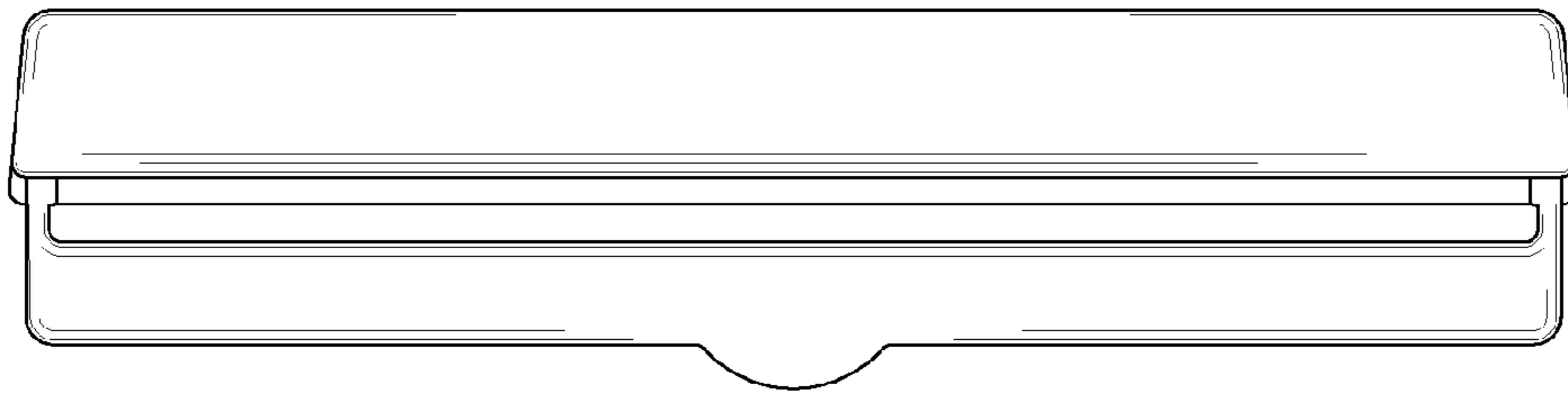


Fig. 5

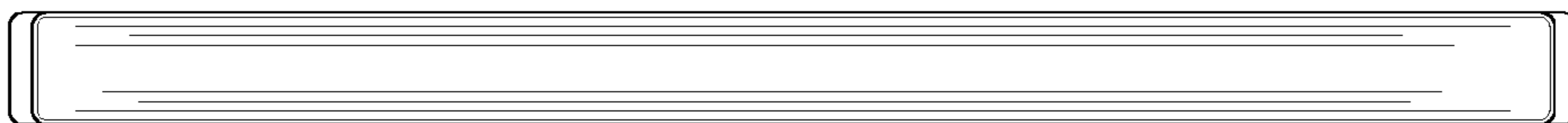


Fig. 6

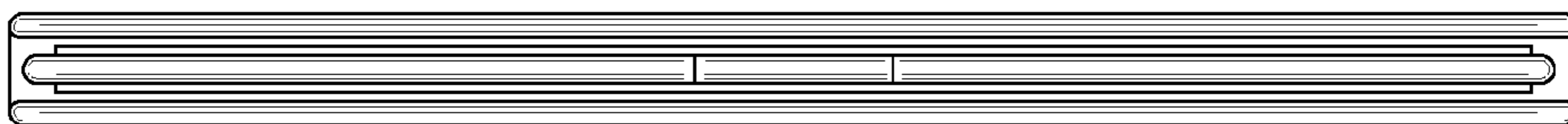


Fig. 7

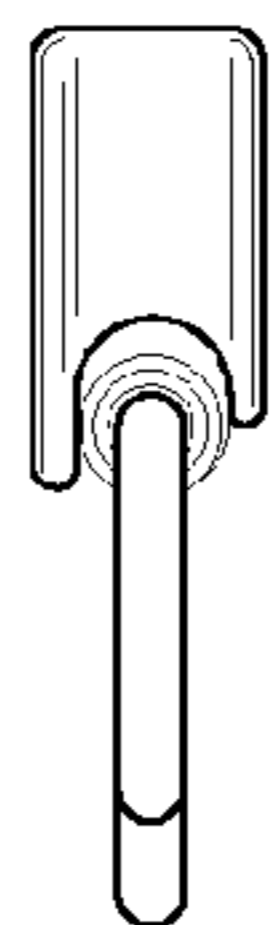


Fig. 8

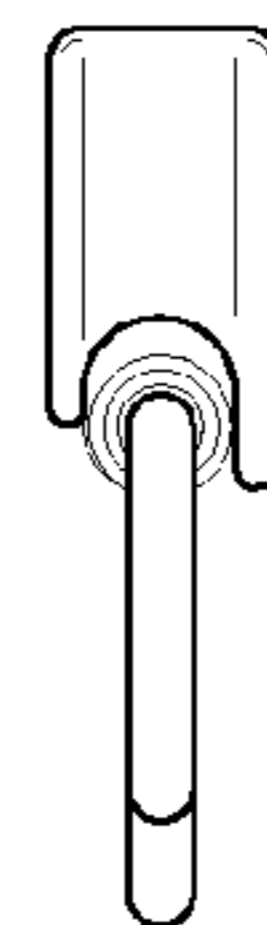


Fig. 9

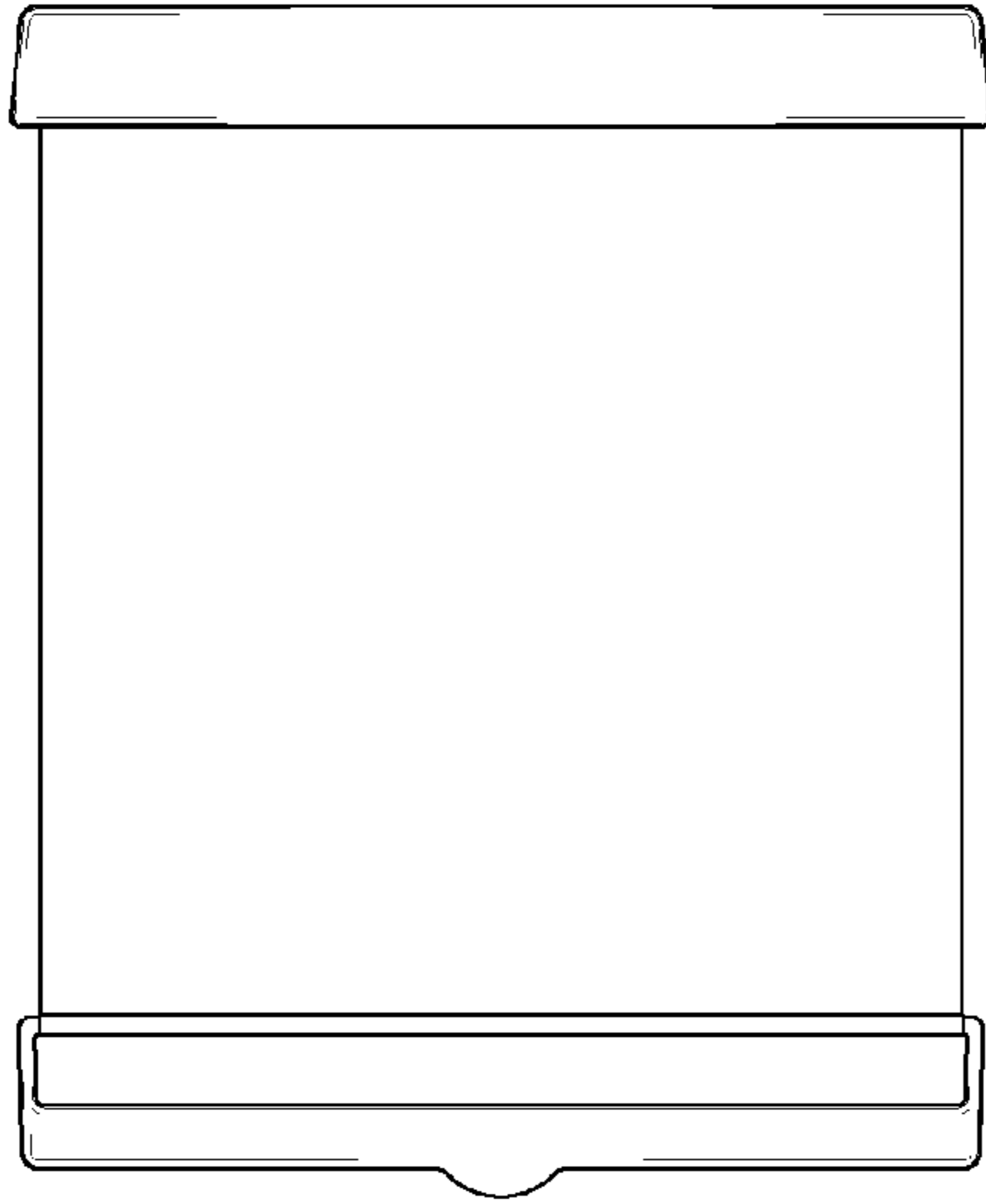


Fig. 10

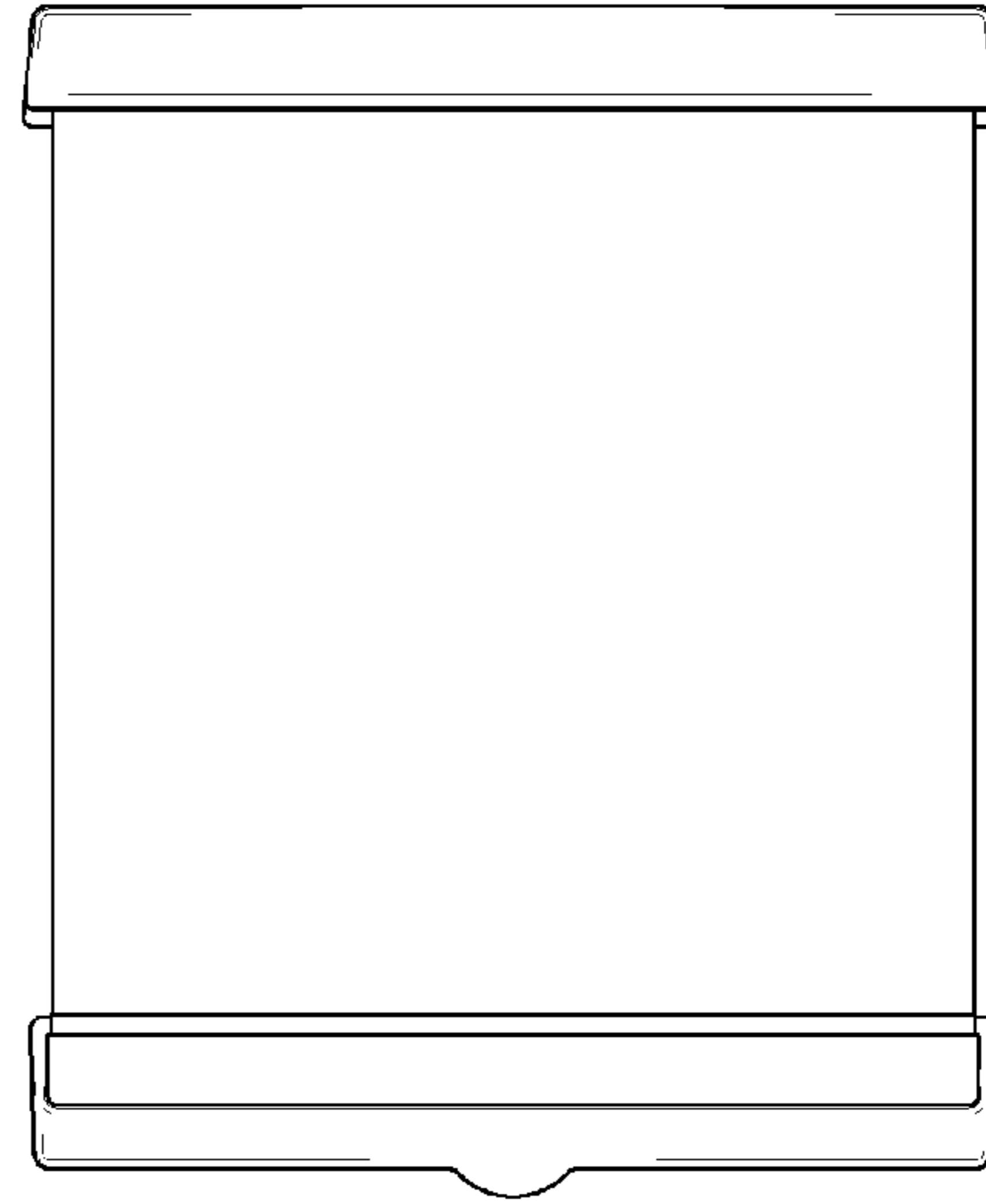


Fig. 11

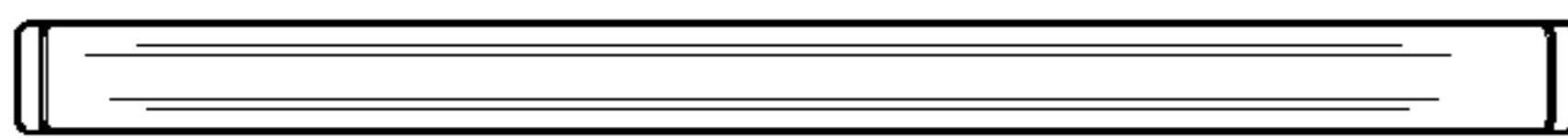


Fig. 12



Fig. 13

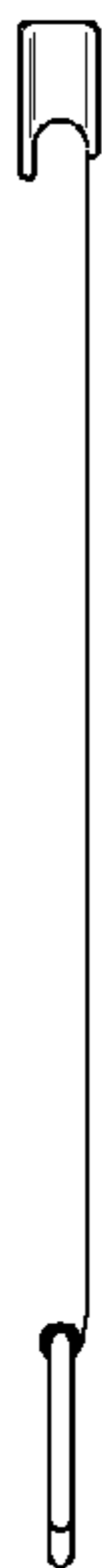


Fig. 14



Fig. 15