



US00D687494S

(12) **United States Design Patent**
McVay-Kaiser

(10) **Patent No.:** **US D687,494 S**

(45) **Date of Patent:** **** Aug. 6, 2013**

(54) **BINGO DAUBER**

(76) Inventor: **Angela J. McVay-Kaiser**, Montrose, CO
(US)

(**) Term: **14 Years**

(21) Appl. No.: **29/415,860**

(22) Filed: **Mar. 15, 2012**

(51) **LOC (9) Cl.** **19-06**

(52) **U.S. Cl.**
USPC **D19/57**

(58) **Field of Classification Search**
USPC .. D14/411; D19/35, 36, 41-51, 54-58; 24/11
F, 11 P, 11 R; 401/52, 99-109, 192, 195,
401/196

See application file for complete search history.

(56) **References Cited**

U.S. PATENT DOCUMENTS

D167,132	S	*	7/1952	Bishop	D19/49
3,085,280	A	*	4/1963	Cline	15/104.94
3,952,653	A	*	4/1976	McFarland	101/327
4,172,597	A	*	10/1979	Smith et al.	273/239
4,325,179	A	*	4/1982	Werwa	29/458
4,711,592	A	*	12/1987	Gregory	401/107
4,795,156	A	*	1/1989	Paulish	273/148 R
D316,880	S	*	5/1991	Conlan	D19/51
D326,118	S	*	5/1992	Black	D19/46
D334,399	S	*	3/1993	Ziegler	D19/42
D339,918	S	*	10/1993	Chamberlain	D4/114

D392,525	S	*	3/1998	Sorge, Jr.	D8/21
D398,235	S	*	9/1998	Koptis	D9/448
D424,111	S	*	5/2000	Bell	D19/53
6,095,705	A		8/2000	Phillips		
D542,347	S	*	5/2007	Sommers	D19/41

* cited by examiner

Primary Examiner — Elizabeth Albert

(57) **CLAIM**

The ornamental design for a bingo dauber, as shown and described.

DESCRIPTION

FIG. 1 is a front elevation view of a bingo dauber showing my new design illustrated with a cap and a sponge separated for clarity;
 FIG. 2 is a rear elevation view thereof;
 FIG. 3 is a right elevation view thereof, the opposite being a mirror image of the shown;
 FIG. 4 is a top plan view thereof;
 FIG. 5 is a bottom plan view thereof;
 FIG. 6 is an isometric view thereof; and,
 FIG. 7 is a cross-sectional view taken along line 7-7 of FIG. 3;
 and,
 FIG. 8 is a cross-sectional view taken along line 8-8 of FIG. 3.
 The broken lines in FIG. 6 of the drawings depict environmental subject matter only and form no part of the claimed design.

1 Claim, 7 Drawing Sheets

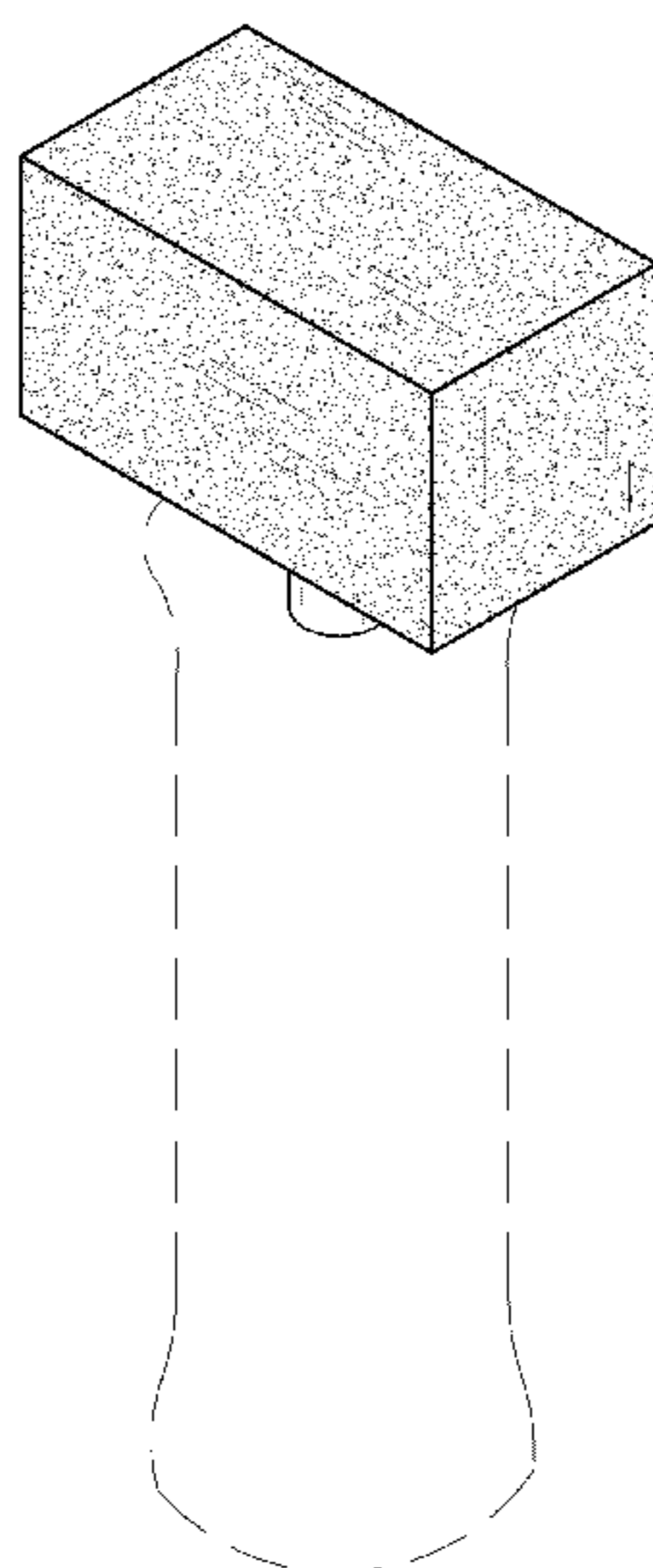
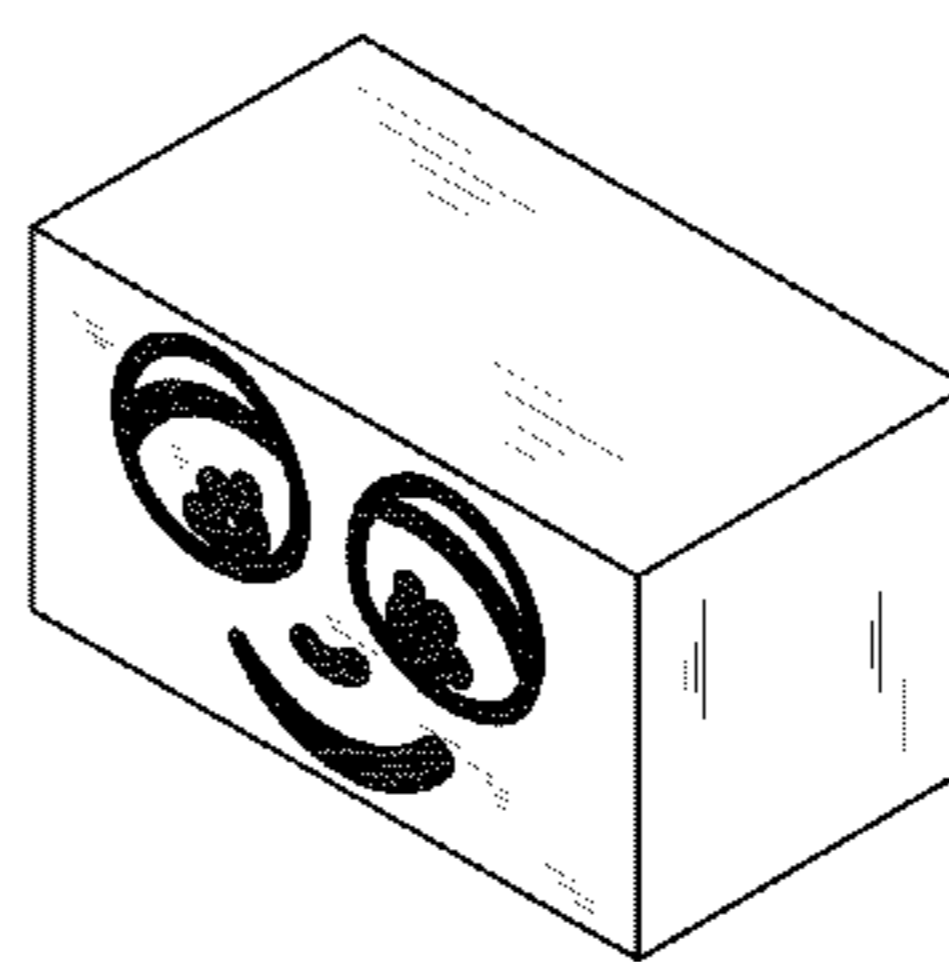


FIG. 1

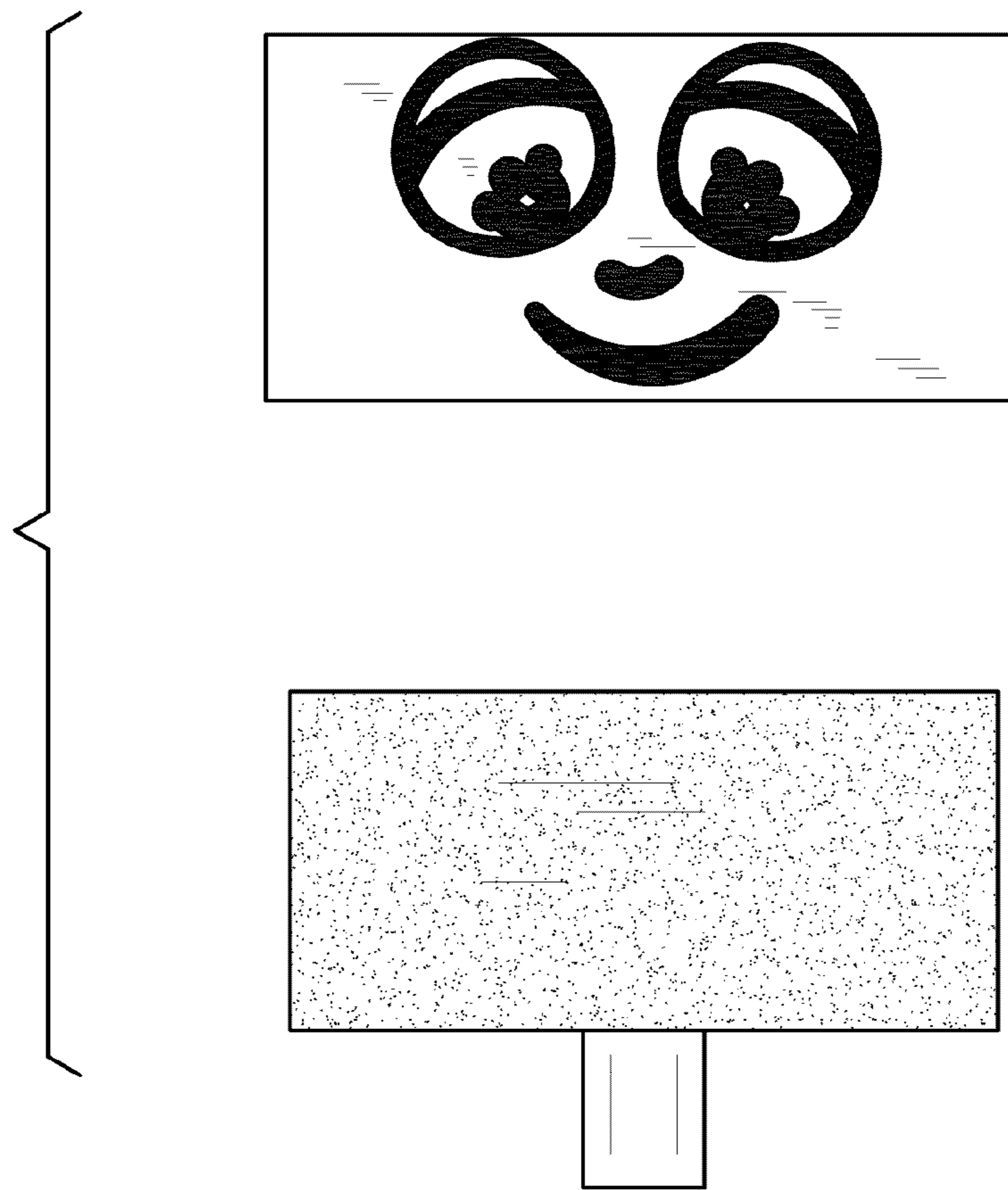
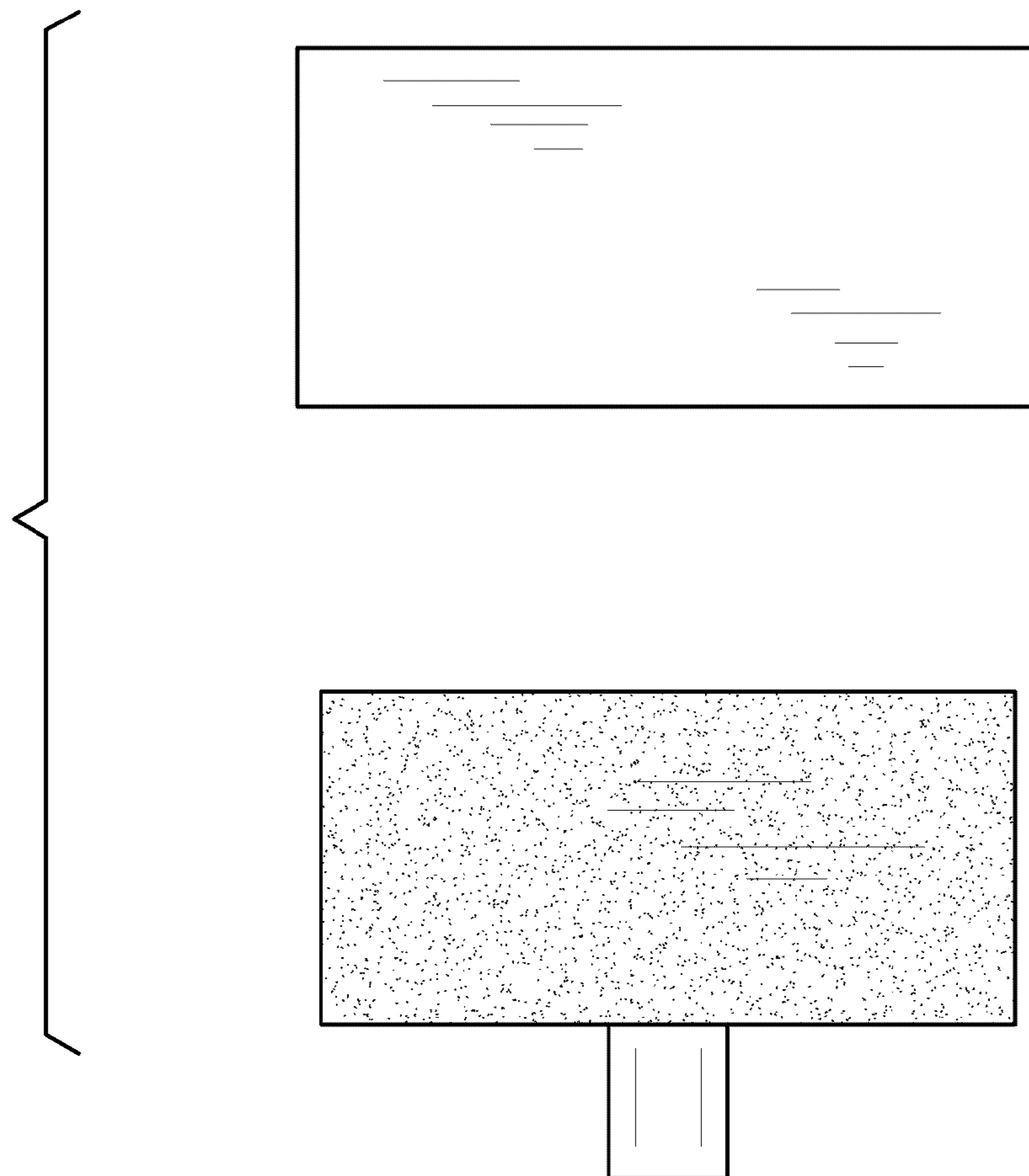


FIG. 2



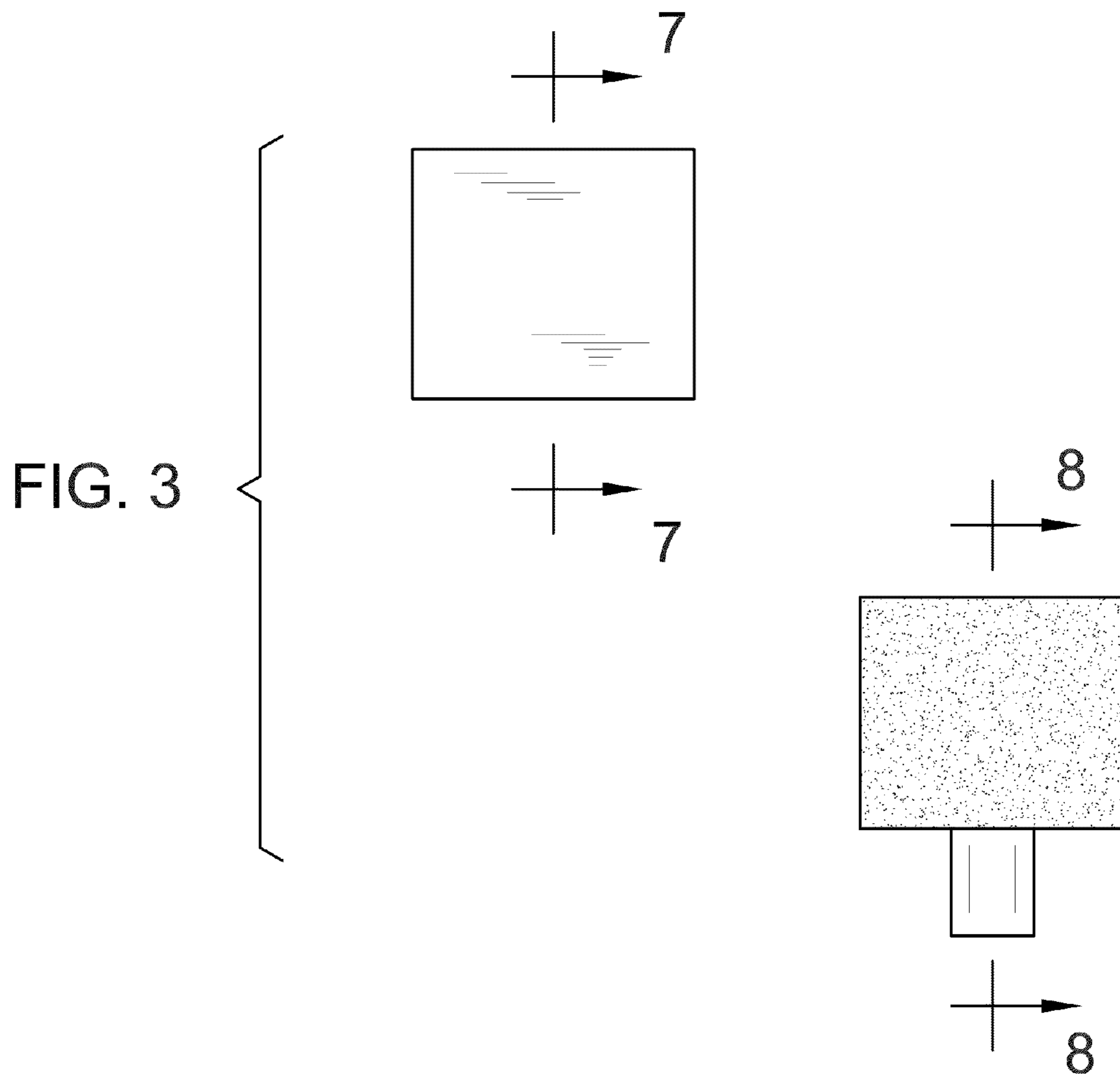


FIG. 4

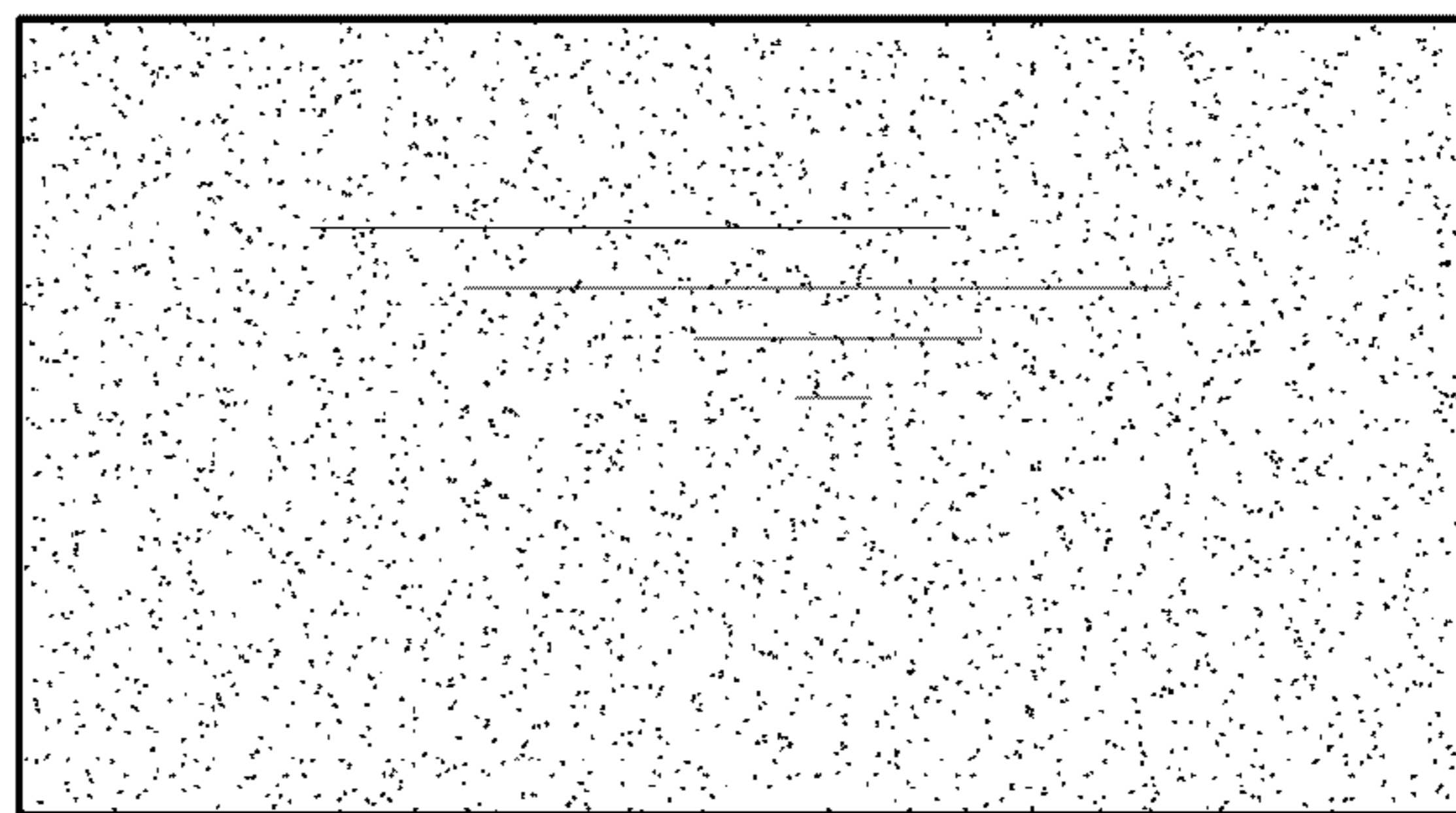
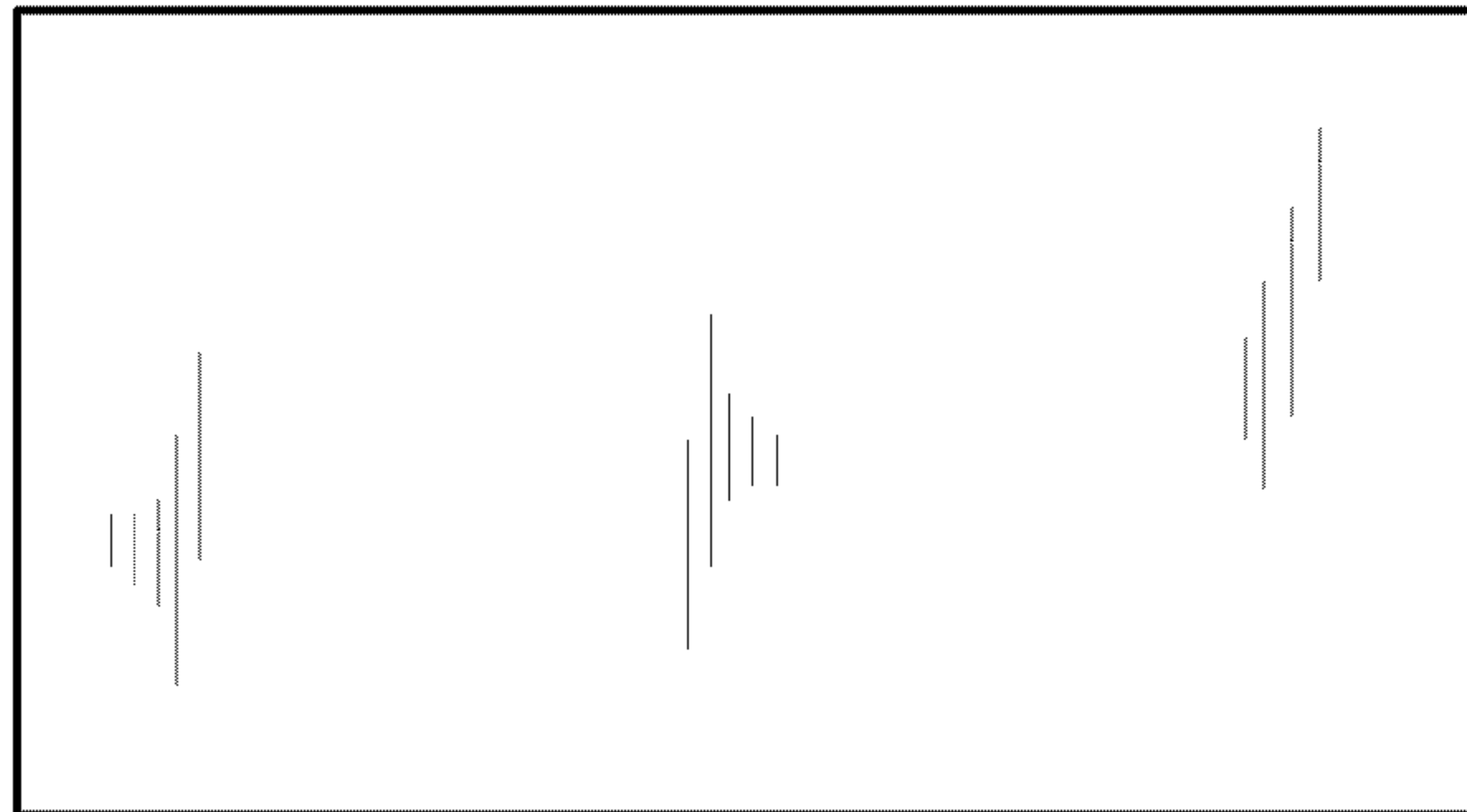
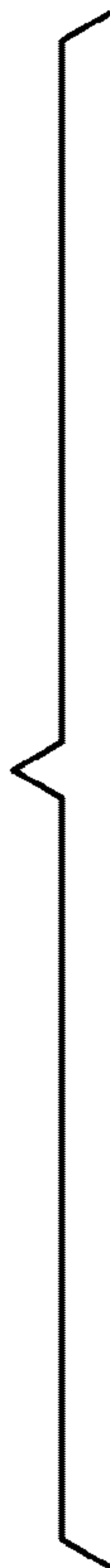


FIG. 5

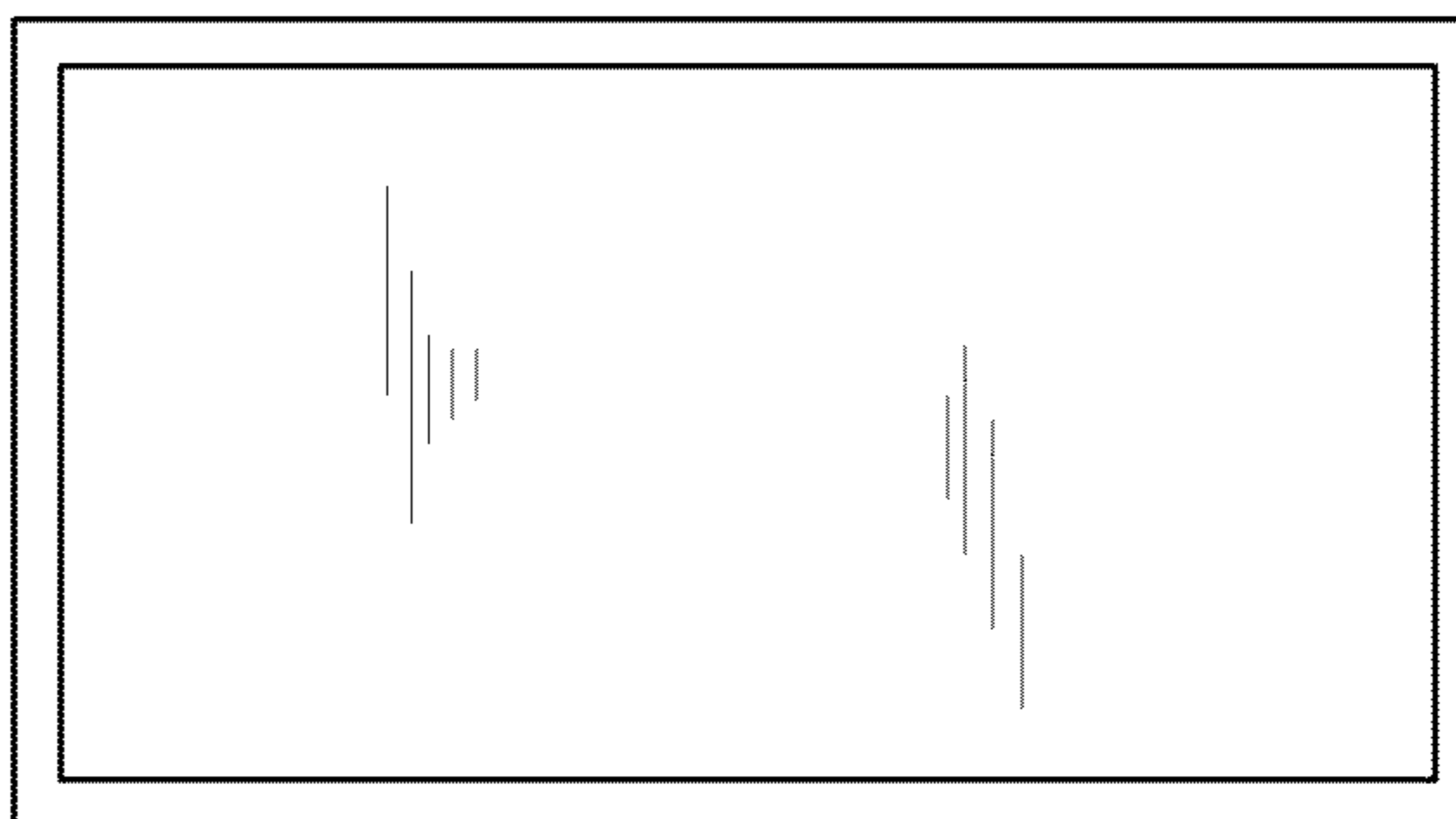
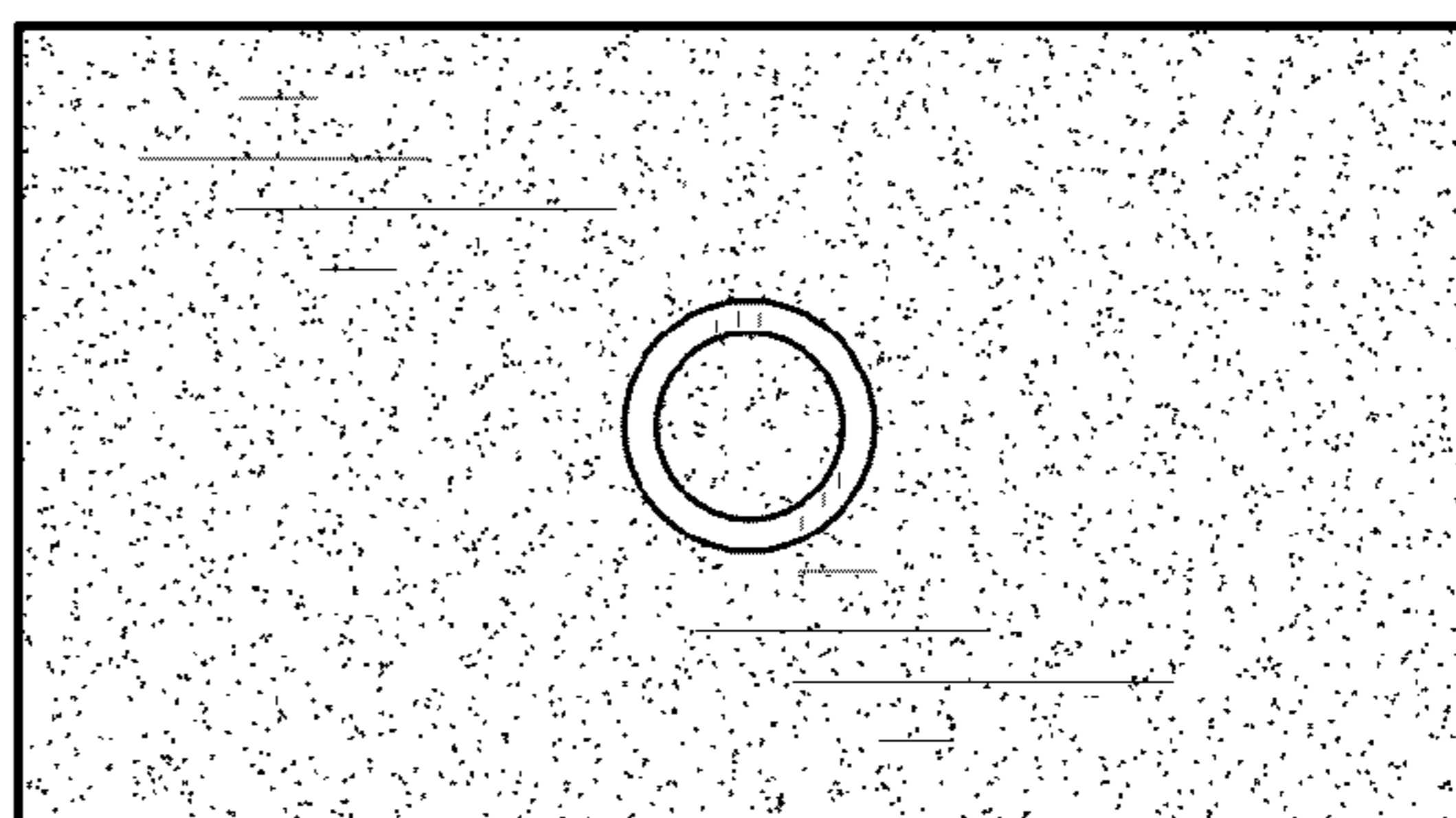
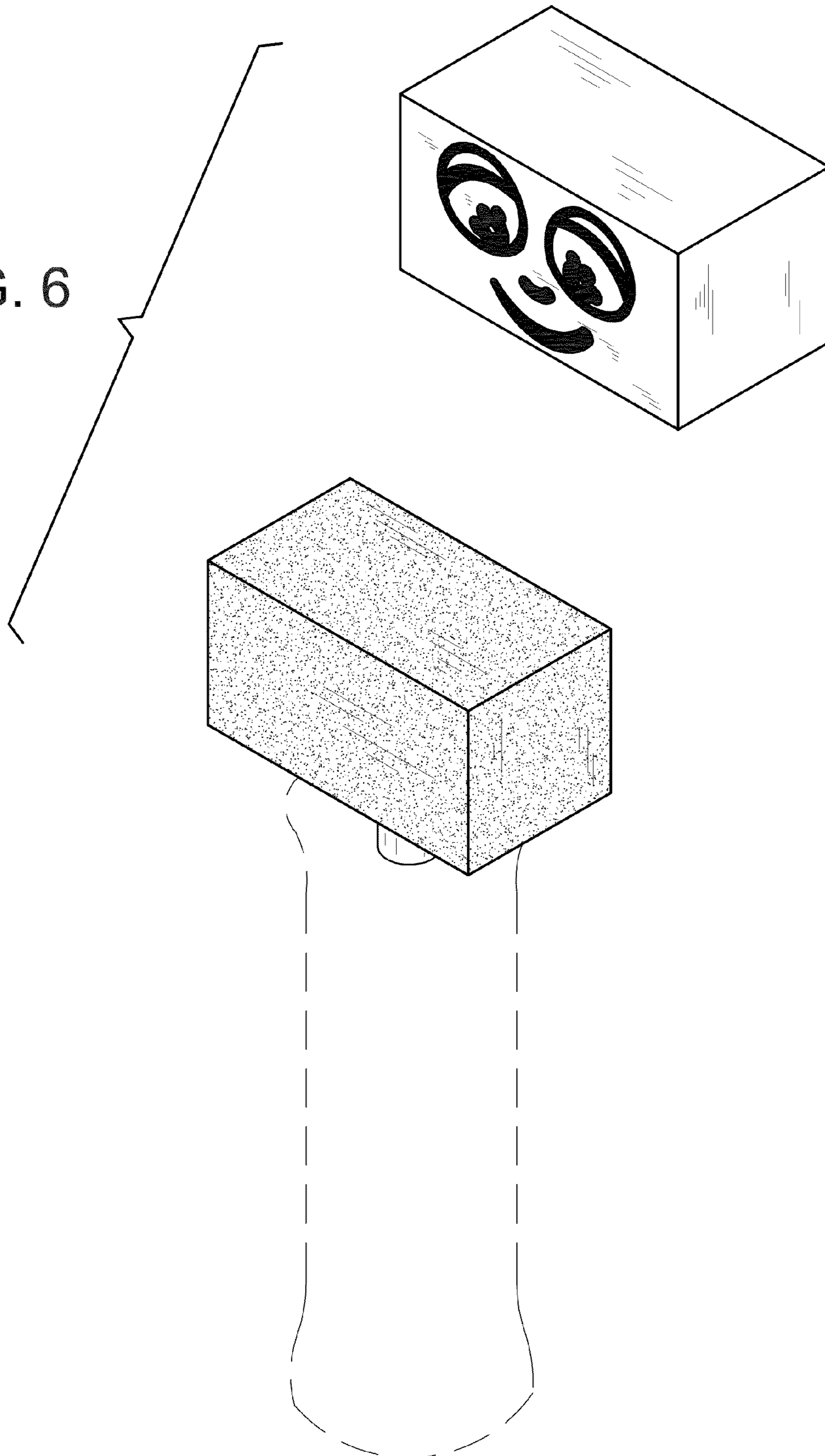


FIG. 6



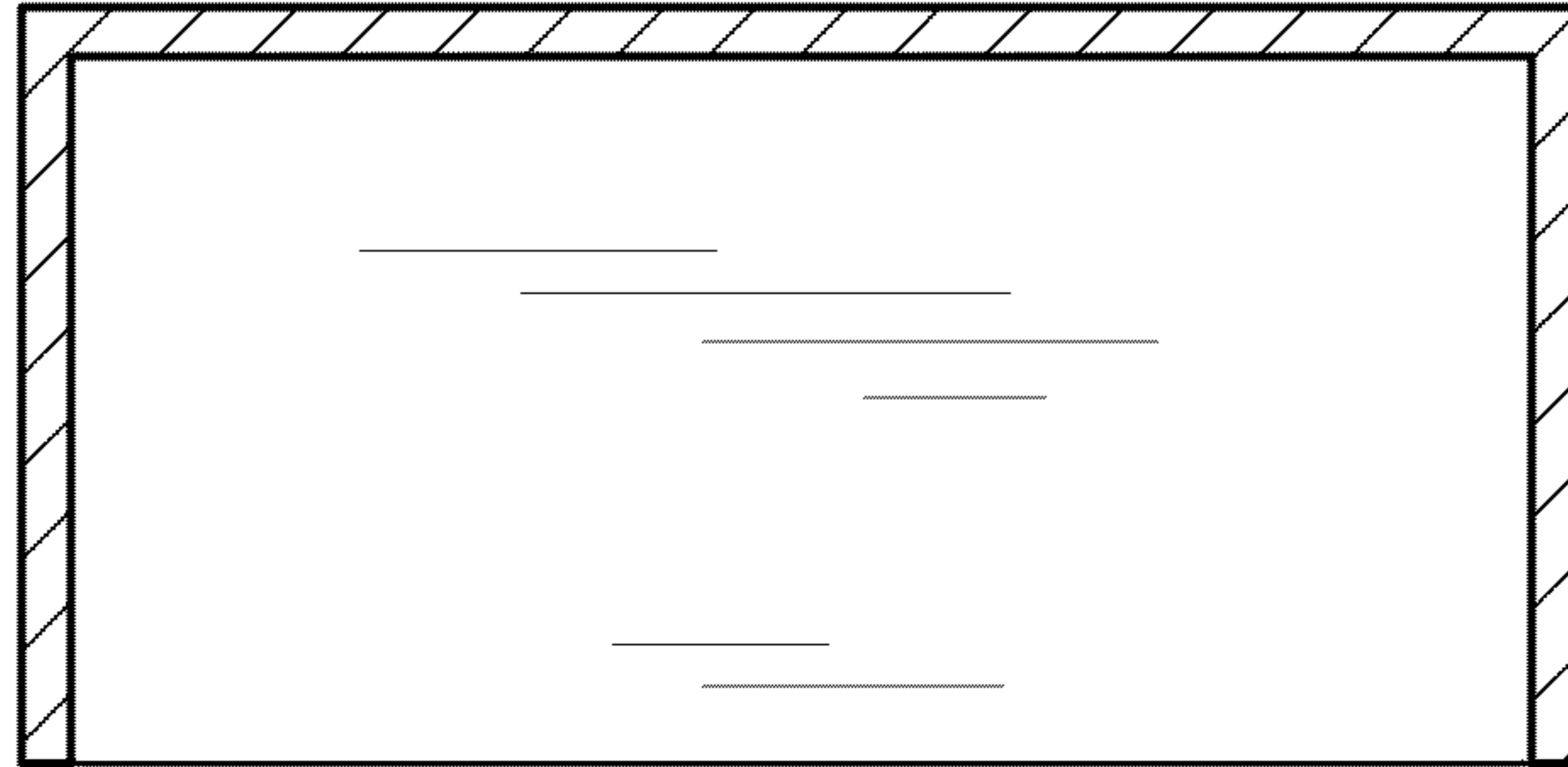


FIG. 7

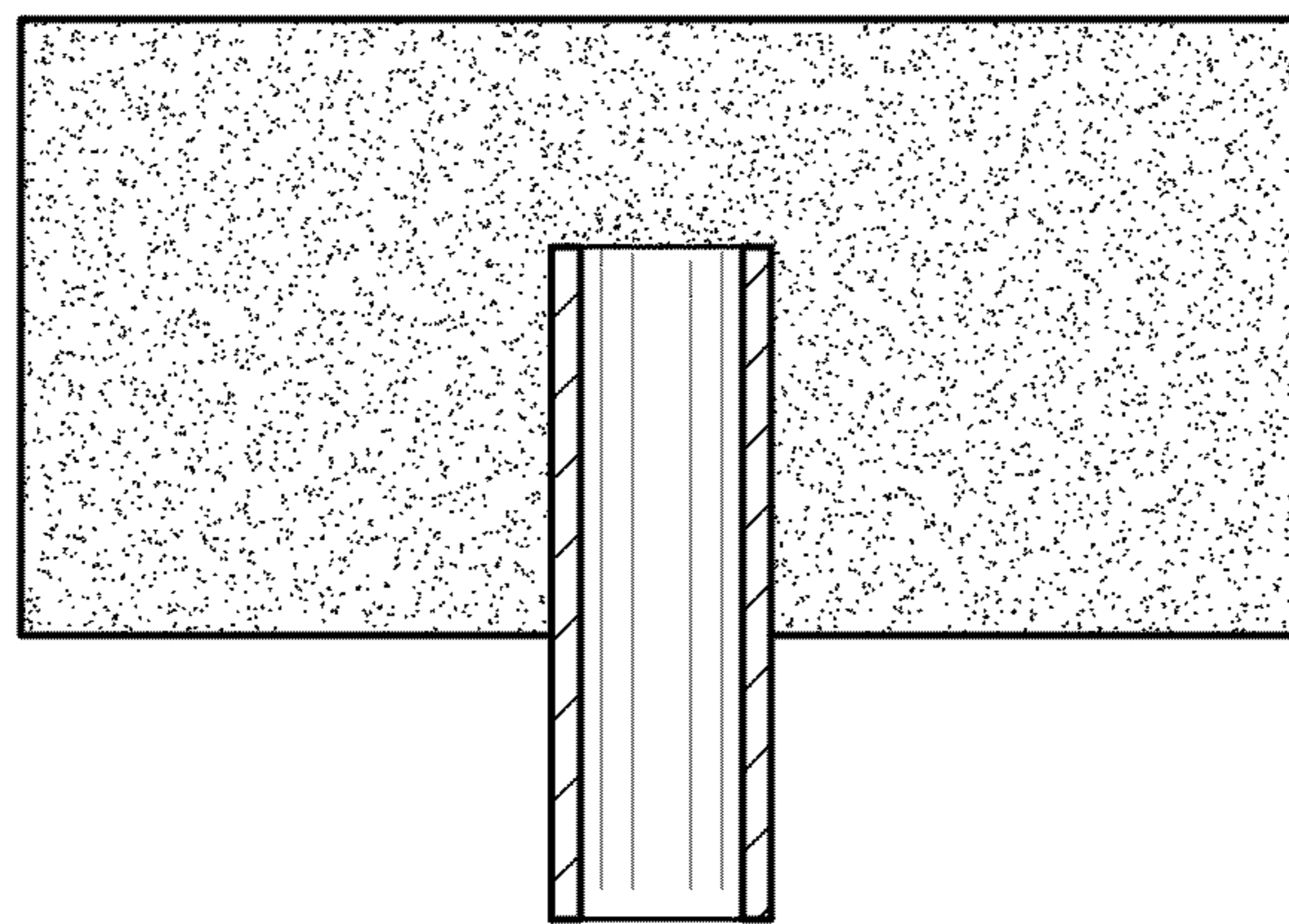


FIG. 8