



US00D687491S

(12) **United States Design Patent**
Loebach et al.

(10) **Patent No.:** **US D687,491 S**

(45) **Date of Patent:** **** Aug. 6, 2013**

(54) **CRYSTAL CRAYON**

(75) Inventors: **Paul Loebach**, Brooklyn, NY (US);
Christopher Speece, Providence, RI (US)

(73) Assignee: **Kikkerland Design, Inc.**, New York, NY (US)

(**) Term: **14 Years**

(21) Appl. No.: **29/426,130**

(22) Filed: **Jun. 29, 2012**

(51) **LOC (9) Cl.** **19-06**

(52) **U.S. Cl.**
USPC **D19/42**

(58) **Field of Classification Search**
USPC D14/411; D19/35, 36, 41-51, 53-58;
24/11 F, 11 P, 11 R; 401/52, 99-109, 192,
401/195, 196; D11/90; D21/373; 63/32
See application file for complete search history.

(56) **References Cited**

U.S. PATENT DOCUMENTS

660,426	A *	10/1900	Grossiord	63/32
809,293	A *	1/1906	Friedenthal	273/146
D47,511	S *	6/1915	Shepard	D11/90
2,587,972	A *	3/1952	Crise	63/32
3,208,754	A *	9/1965	Sieve	273/146
D209,297	S *	11/1967	Husler	D21/373
3,565,442	A *	2/1971	Burton	273/157 R
4,229,115	A *	10/1980	Olinsky	401/196
D267,569	S *	1/1983	Polite	D21/373
D323,684	S *	2/1992	Thompson	D21/373
D362,204	S *	9/1995	Eknes	D11/90

5,657,647	A *	8/1997	Freiesleben	63/32
D436,635	S *	1/2001	Bowling	D21/373
D439,932	S *	4/2001	Shillings	D21/373
D455,462	S *	4/2002	Bowling	D21/373
7,000,607	B2 *	2/2006	Davidi	125/30.01
8,038,360	B2 *	10/2011	Chamberlin	401/52
8,272,800	B2 *	9/2012	Chamberlin	401/52
2005/0005640	A1 *	1/2005	Davidi	63/32

* cited by examiner

Primary Examiner — Elizabeth Albert

(74) *Attorney, Agent, or Firm* — Cascio & Zervas

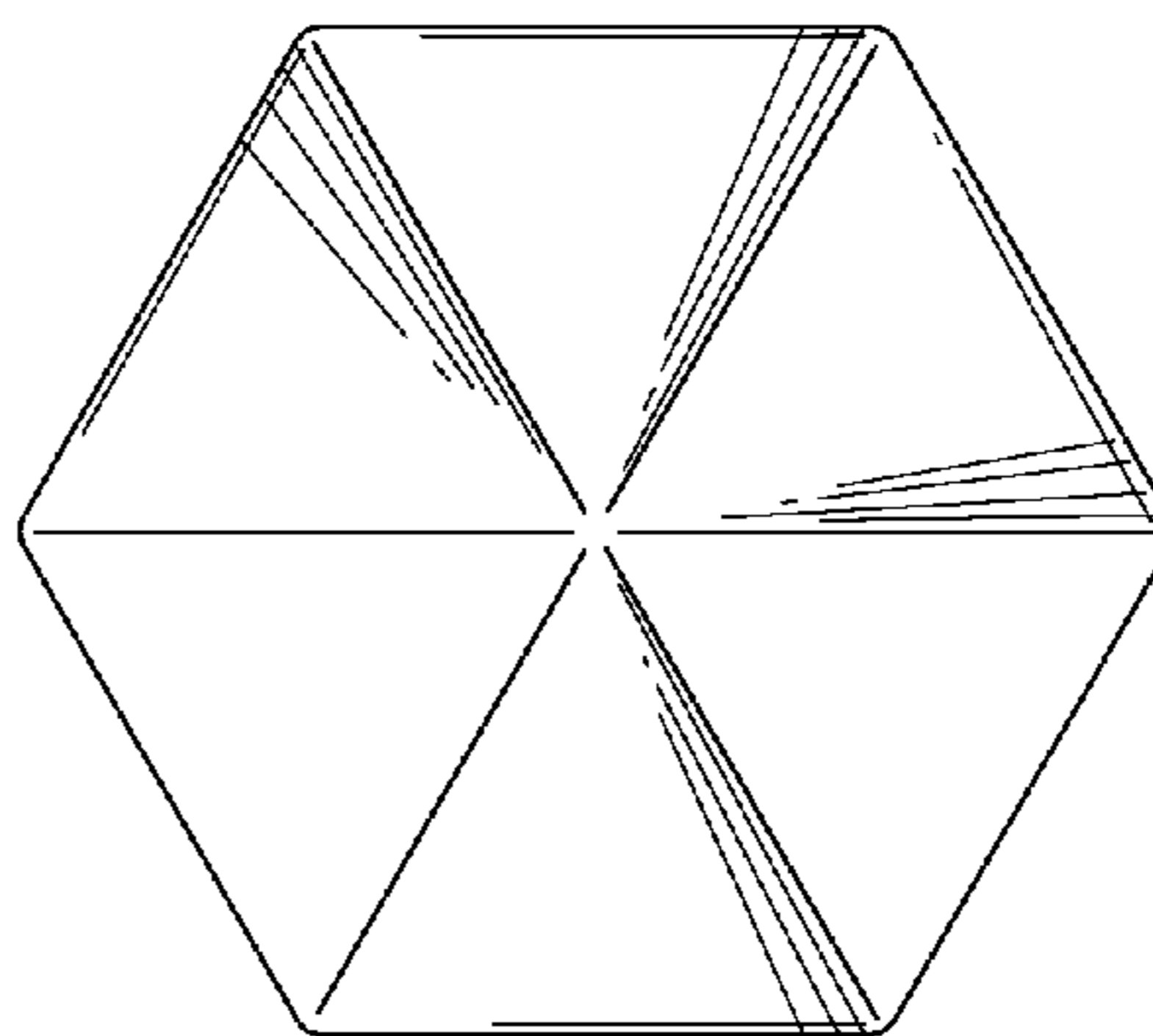
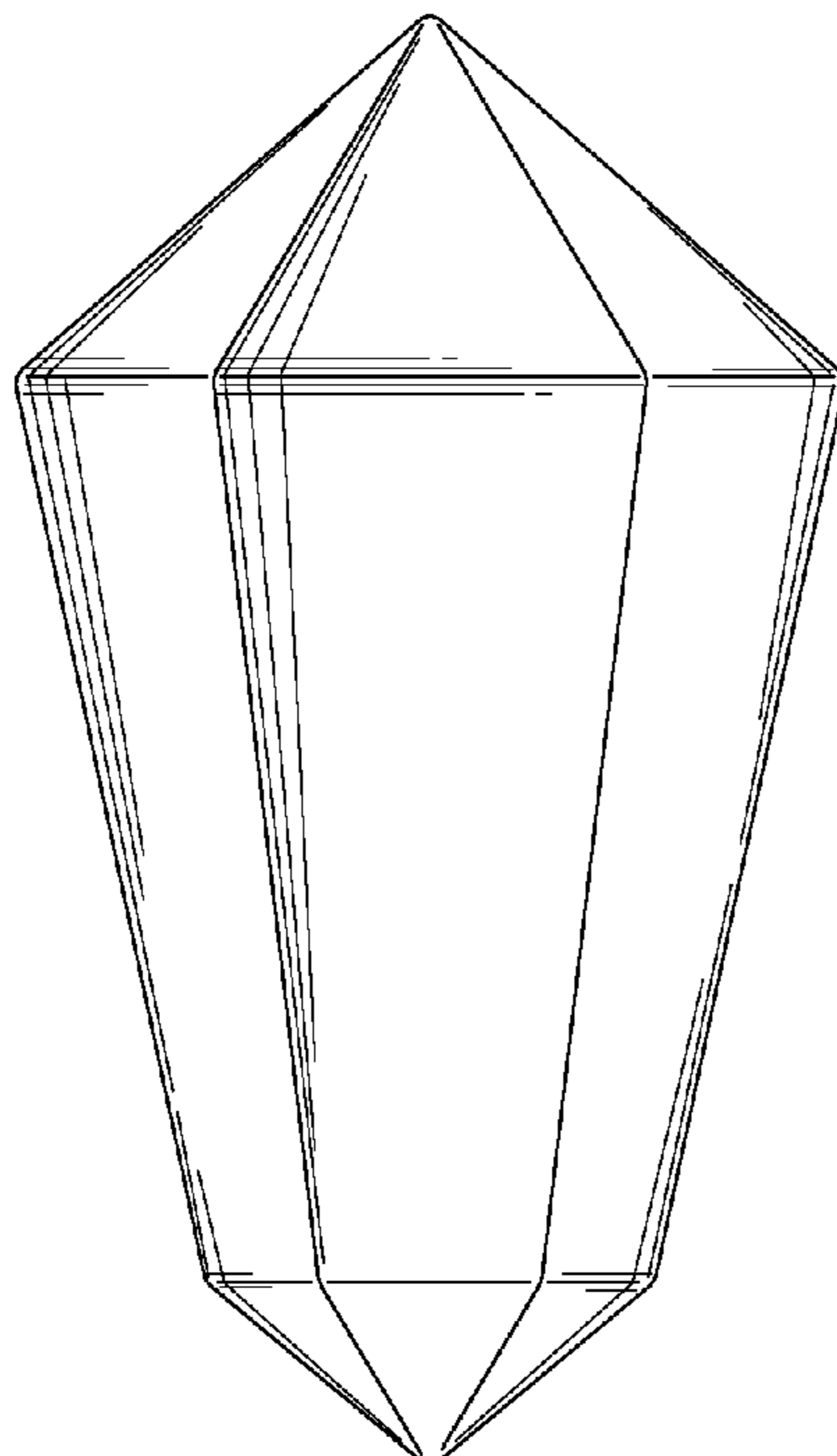
(57) **CLAIM**

The ornamental design for crystal crayon, as shown and described.

DESCRIPTION

FIG. 1 is a front elevational view of the first embodiment of the crystal crayon showing our design;
 FIG. 2 is a rear elevational view of the first embodiment;
 FIG. 3 is a top plan view of the first embodiment;
 FIG. 4 is a bottom plan view of the first embodiment;
 FIG. 5 is a right side elevational view of the first embodiment;
 FIG. 6 is a left side elevational view of the first embodiment;
 FIG. 7 is a perspective view of the first embodiment;
 FIG. 8 is a front elevational view of the second embodiment;
 FIG. 9 is a rear elevational view of the second embodiment;
 FIG. 10 is a top plan view of the second embodiment;
 FIG. 11 is a bottom plan view of the second embodiment;
 FIG. 12 is a right side elevational view of the second embodiment;
 FIG. 13 is a left side elevational view of the second embodiment; and,
 FIG. 14 is a perspective view of the second embodiment.

1 Claim, 4 Drawing Sheets



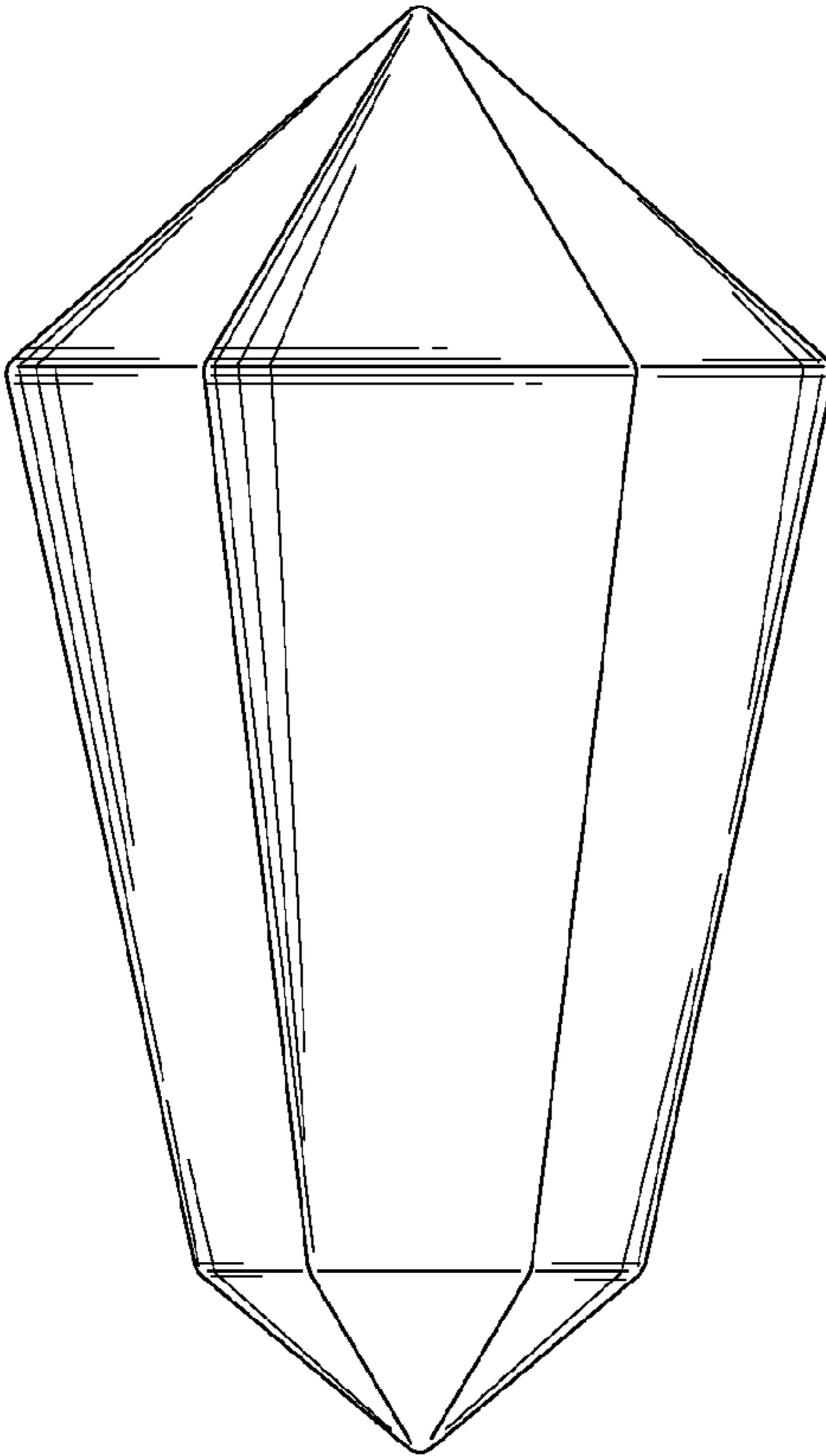


FIG. 1

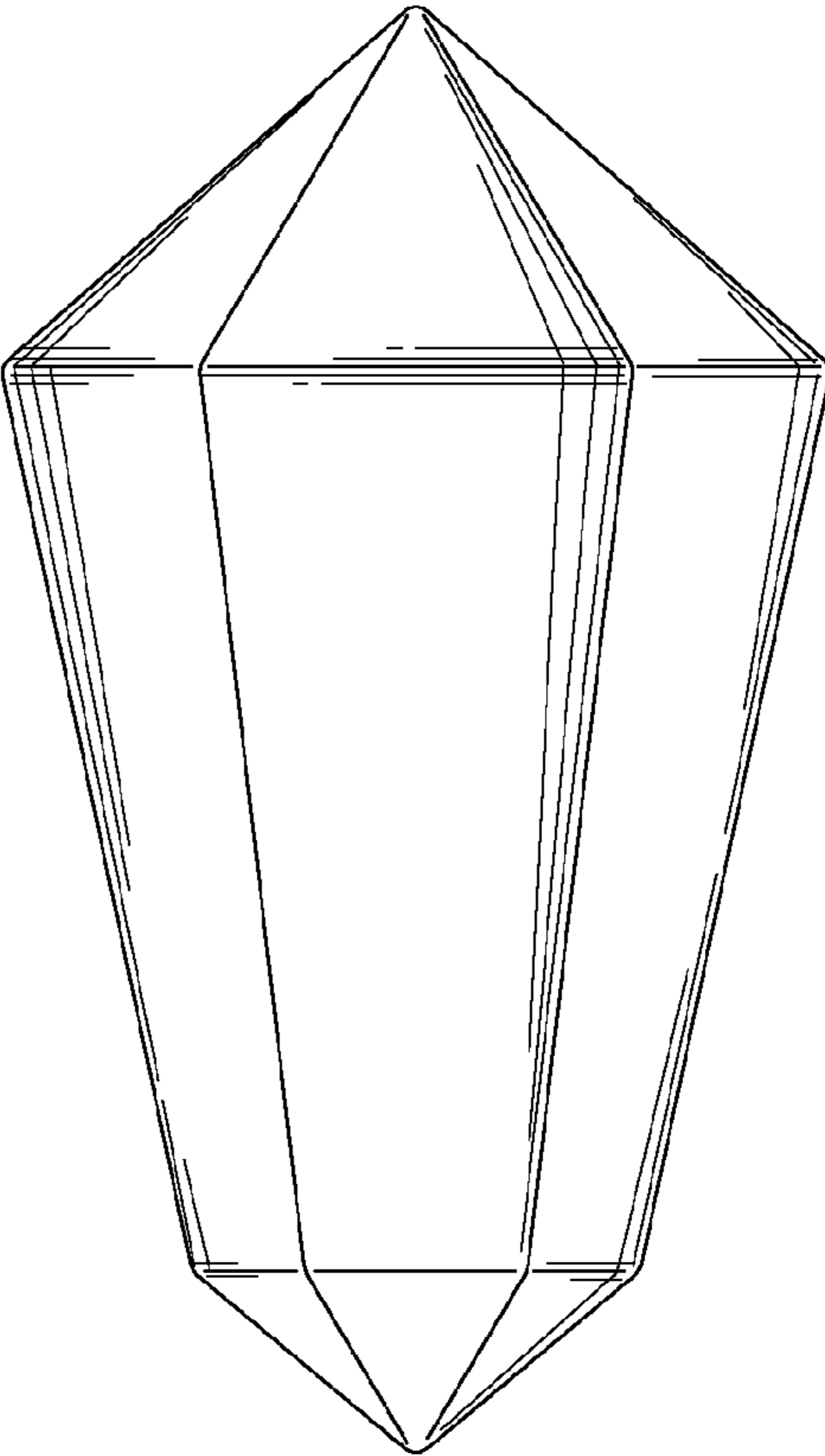


FIG. 2

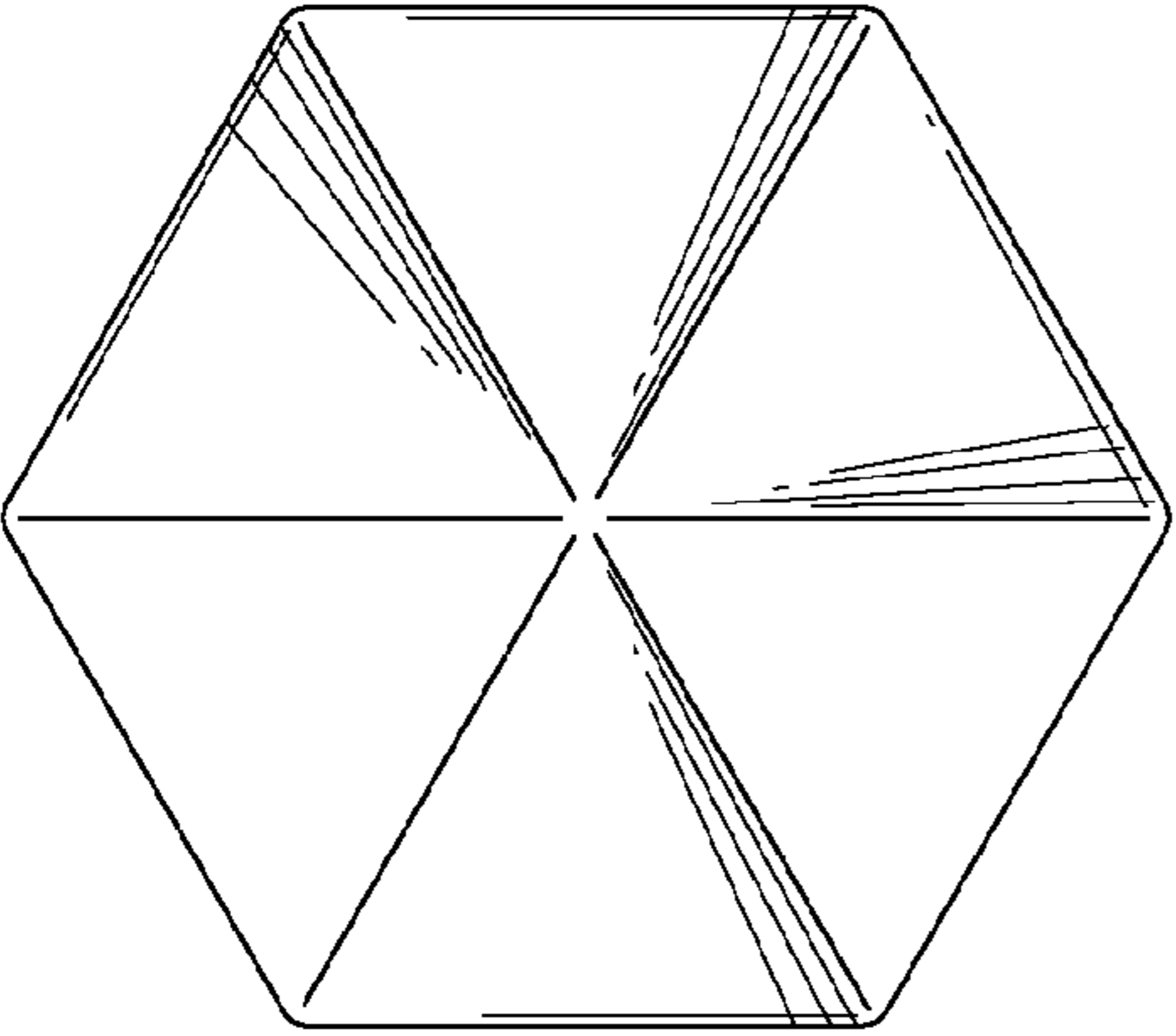


FIG. 3

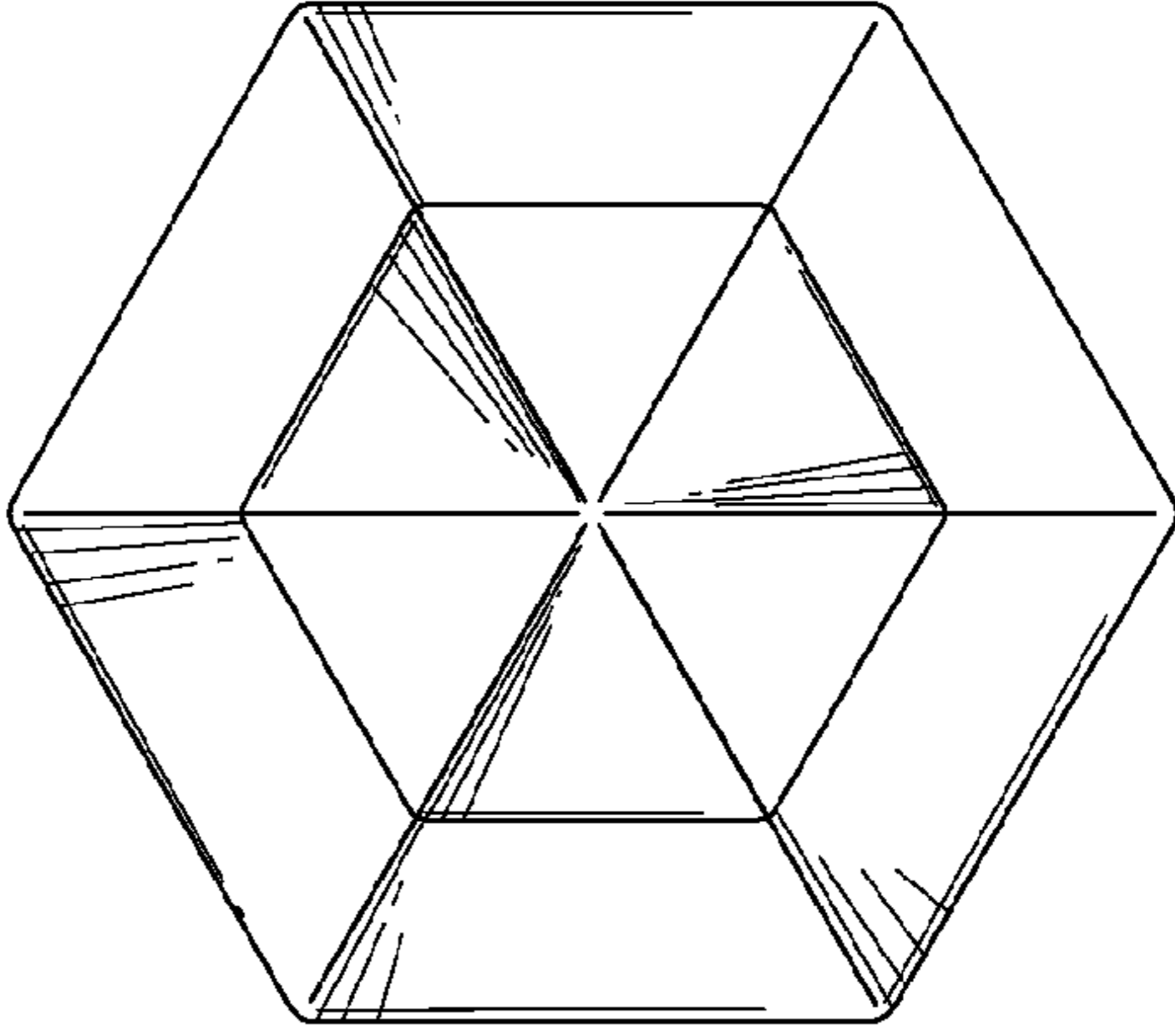


FIG. 4

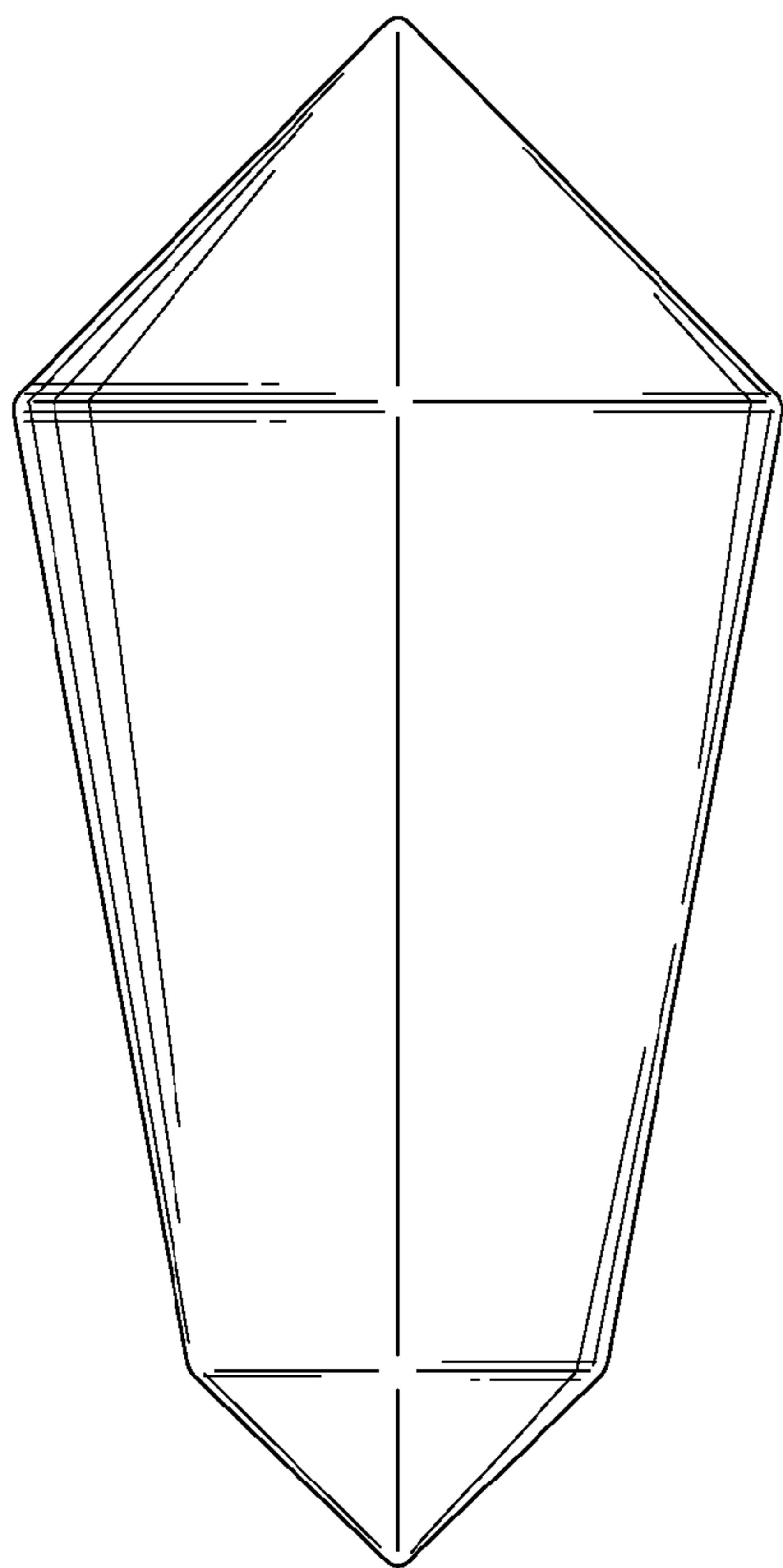


FIG. 5

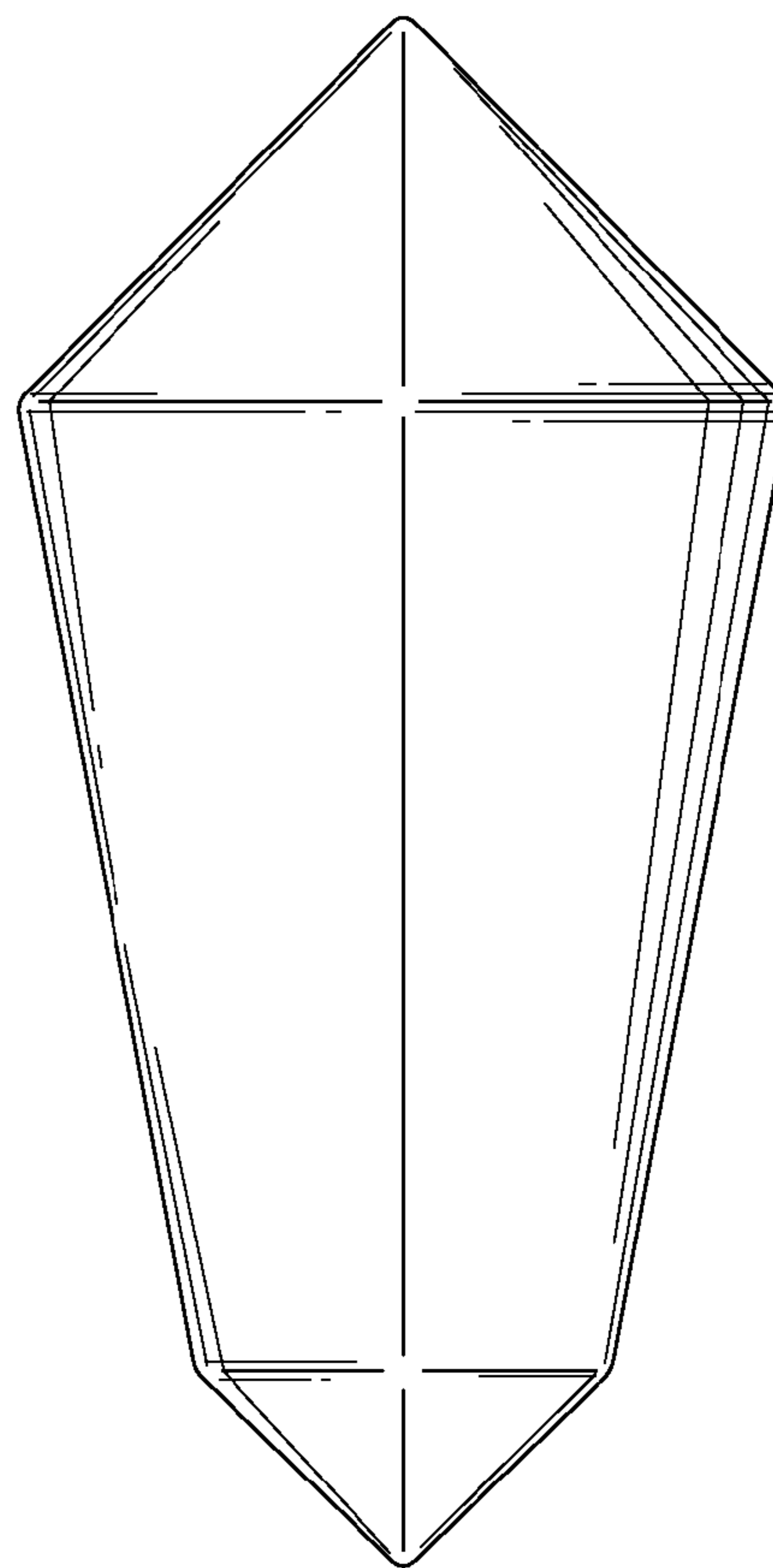


FIG. 6

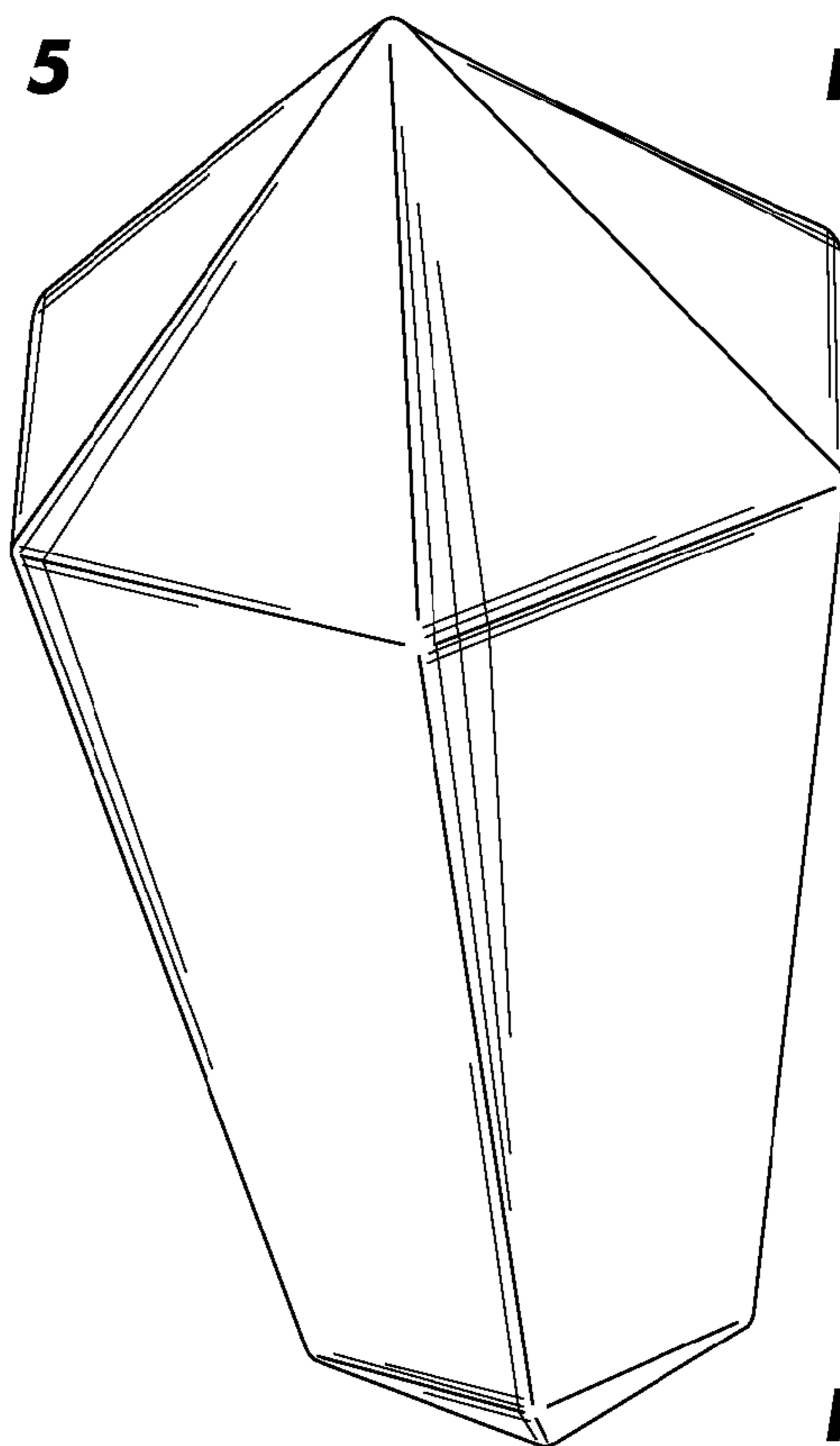


FIG. 7

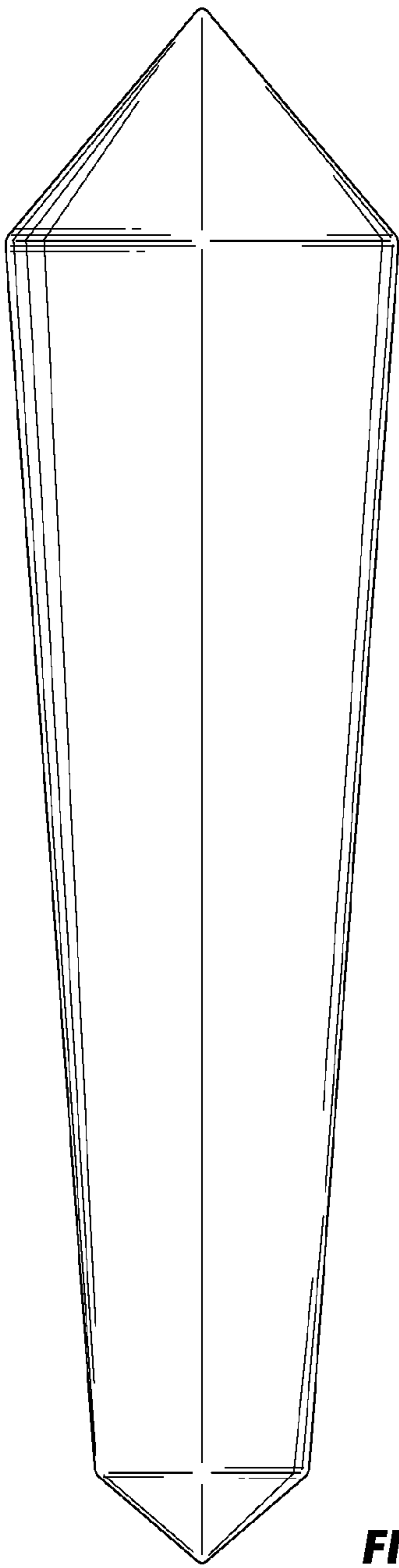


FIG. 8

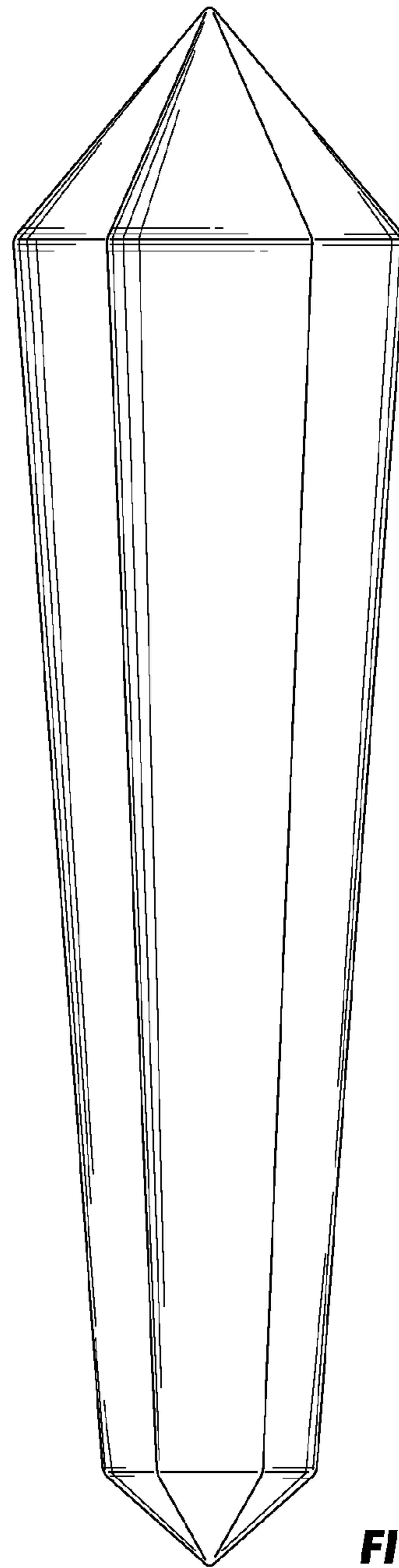


FIG. 9

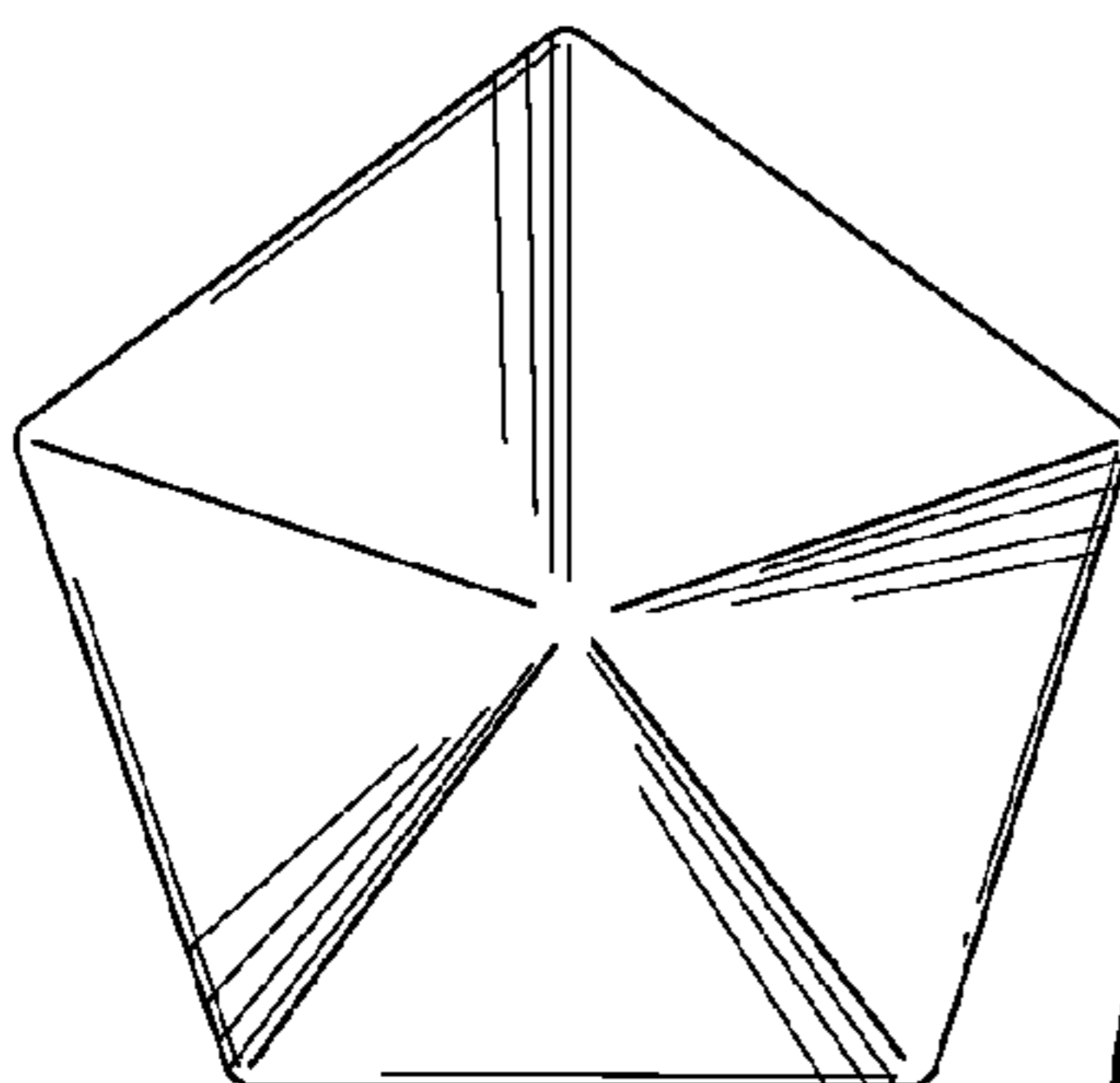


FIG. 10

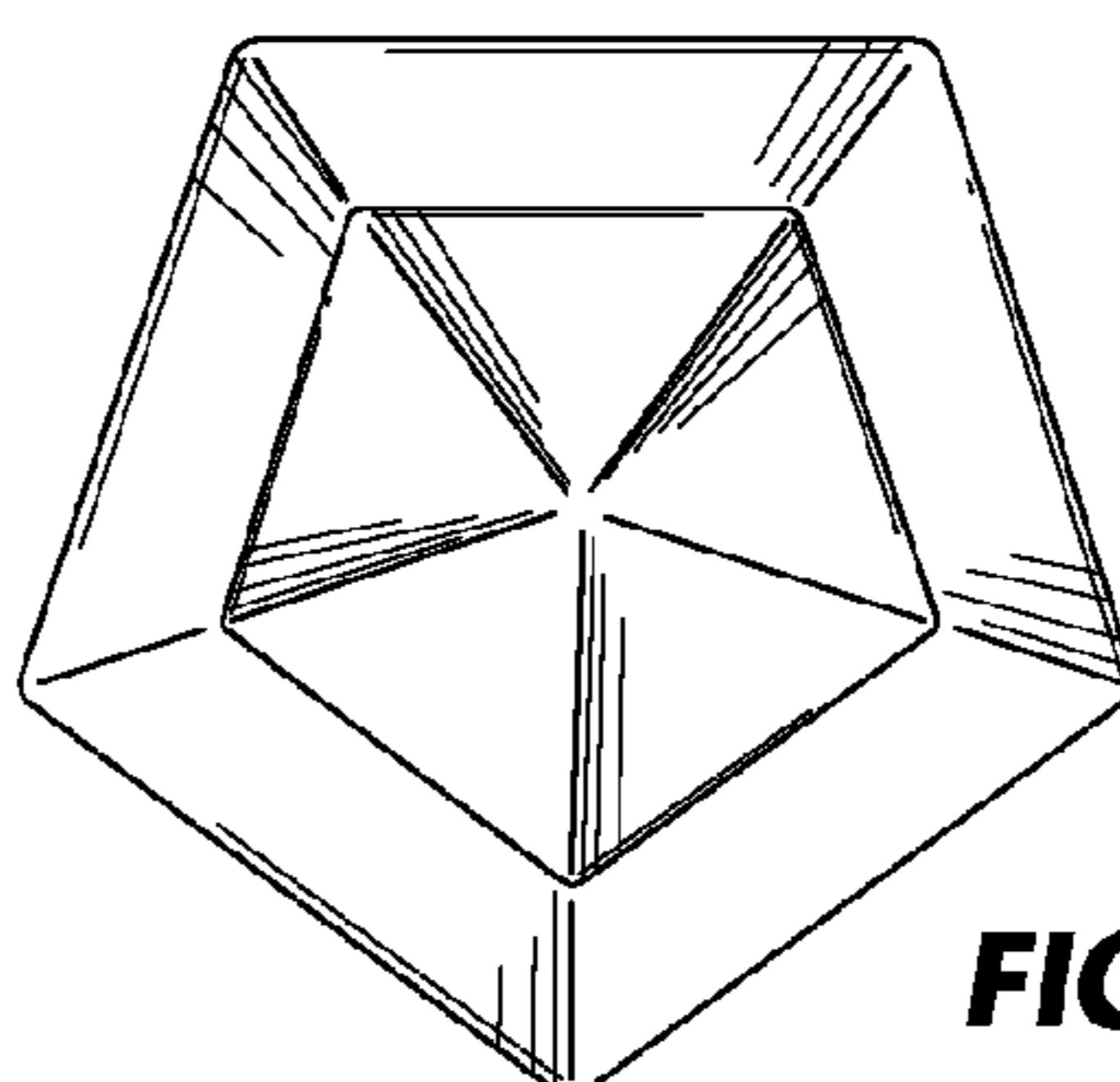


FIG. 11

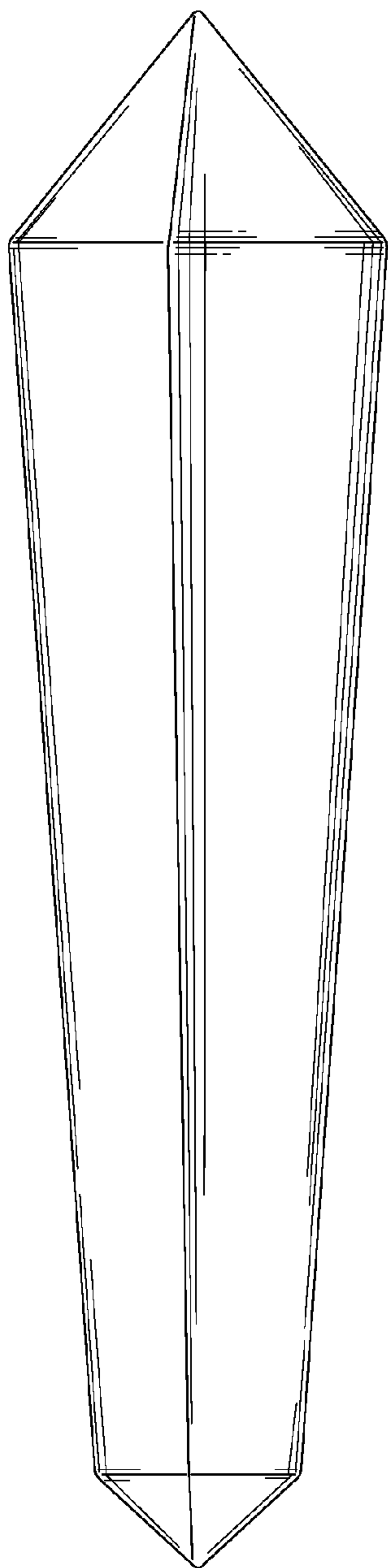


FIG. 12

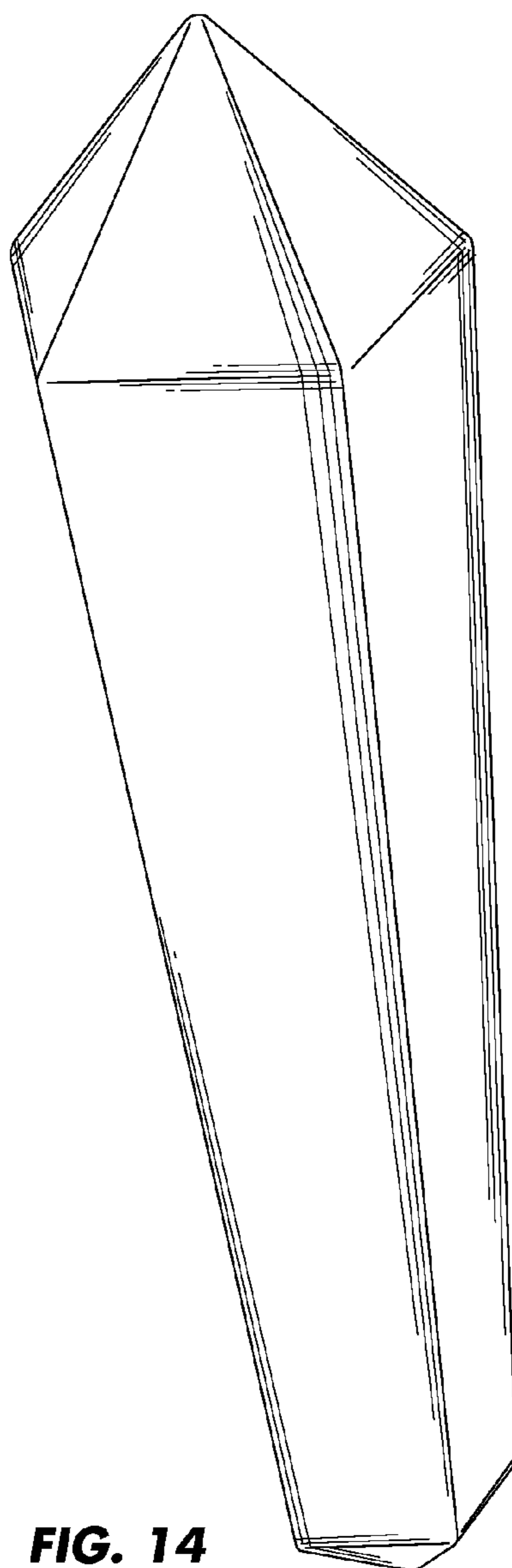


FIG. 14

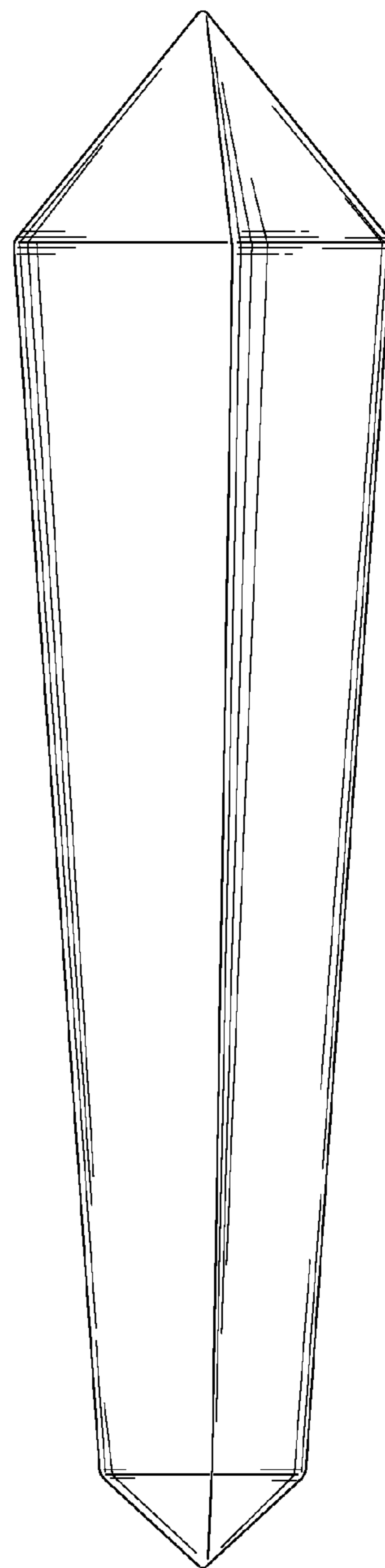


FIG. 13