



US00D687489S

(12) **United States Design Patent**  
**Mullen et al.**

(10) **Patent No.:** **US D687,489 S**  
(45) **Date of Patent:** **\*\* \*Aug. 6, 2013**

(54) **INTERACTIVE ELECTRONIC CARD WITH  
BUTTONS**

(75) Inventors: **Jeffrey D. Mullen**, Pittsburgh, PA (US);  
**Eric R. Nicklaus**, Pittsburgh, PA (US)

(73) Assignee: **Dynamics Inc.**, Pittsburgh, PA (US)

(\*) Notice: This patent is subject to a terminal dis-  
claimer.

(\*\*) Term: **14 Years**

(21) Appl. No.: **29/430,501**

(22) Filed: **Aug. 27, 2012**

(51) **LOC (9) Cl.** ..... **19-08**

(52) **U.S. Cl.**  
USPC ..... **D19/10**

(58) **Field of Classification Search**  
USPC ..... D19/1-12, 20-34; 40/124.01-124.15,  
40/661, 672, 726, 776; 283/72, 74-75, 103,  
283/105-107, 82, 70, 904; D21/385;  
D20/10-11, 22, 27, 40, 42; D14/435-437;  
360/2; 235/380, 382

See application file for complete search history.

(56) **References Cited**

**U.S. PATENT DOCUMENTS**

4,353,064 A	10/1982	Stamm
4,394,654 A	7/1983	Hofmann-Cerfontaine
4,614,861 A	9/1986	Pavlov et al.
4,667,087 A	5/1987	Quintana
4,701,601 A	10/1987	Francini et al.
4,720,860 A	1/1988	Weiss
4,786,791 A	11/1988	Hodama
4,791,283 A	12/1988	Burkhardt
4,797,542 A	1/1989	Hara
5,038,251 A	8/1991	Sugiyama et al.
5,168,520 A	12/1992	Weiss
5,237,614 A	8/1993	Weiss

5,276,311 A	1/1994	Hennige
5,347,580 A	9/1994	Molva et al.
5,361,062 A	11/1994	Weiss et al.
5,412,199 A	5/1995	Finkelstein et al.
5,434,398 A	7/1995	Goldberg
5,434,405 A	7/1995	Finkelstein et al.

(Continued)

**FOREIGN PATENT DOCUMENTS**

JP	05210770 A	8/1993
WO	WO9852735	11/1998

(Continued)

**OTHER PUBLICATIONS**

U.S. Appl. No. 60/594,300, Poidomani et al.

(Continued)

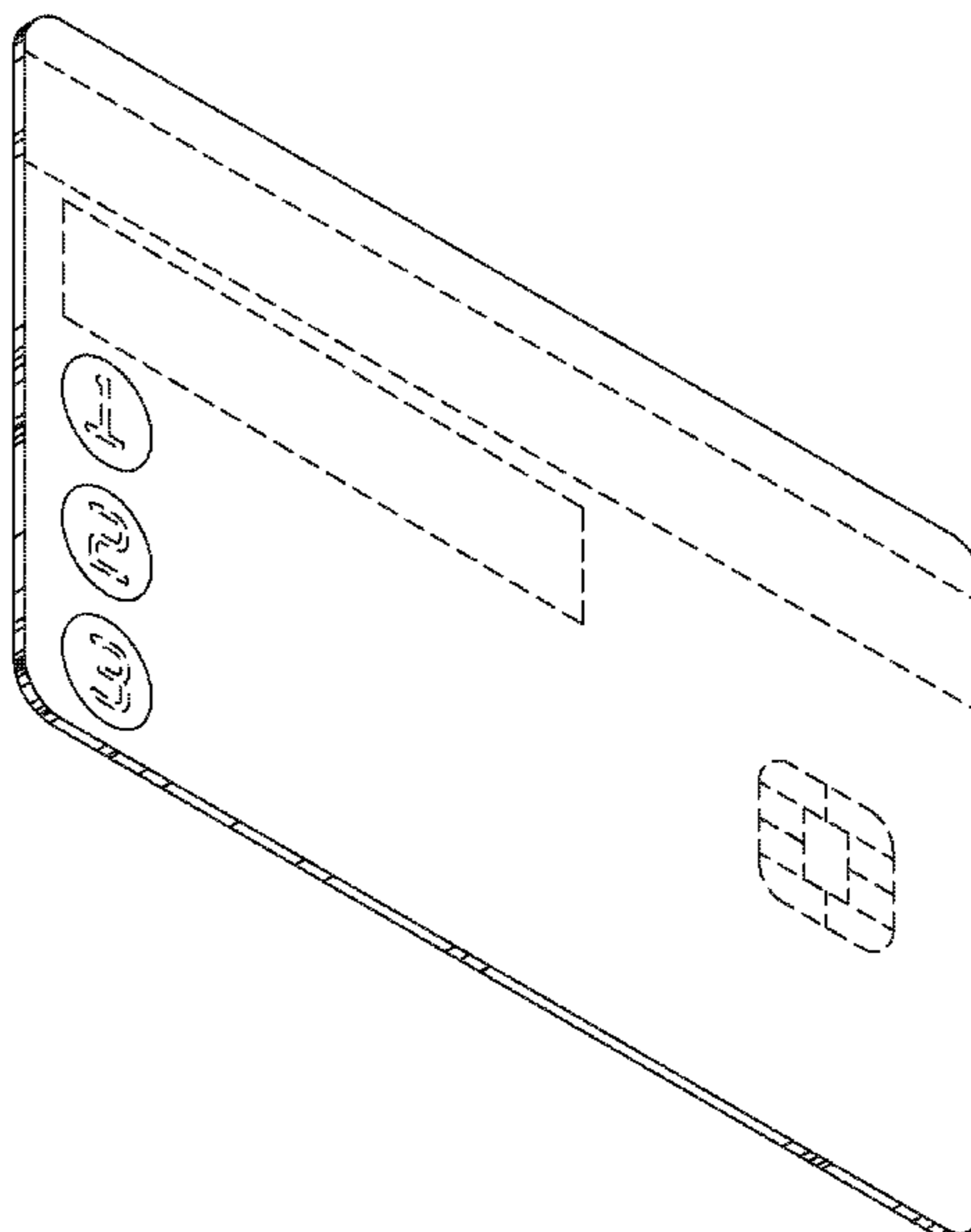
*Primary Examiner* — Ian Simmons  
*Assistant Examiner* — Abraham Bahta

(57) **CLAIM**  
The ornamental design for an interactive electronic card with  
buttons, as shown and described.

**DESCRIPTION**

FIG. 1 is a back, bottom, and left side perspective view of our  
new design for an interactive electronic card with buttons;  
FIG. 2 is a back, top, and left side perspective view thereof;  
FIG. 3 is a front side view thereof;  
FIG. 4 is a back side view thereof;  
FIG. 5 is a top side view thereof;  
FIG. 6 is a bottom side view thereof;  
FIG. 7 is a left side view thereof; and,  
FIG. 8 is a right side view thereof.  
The broken lines showing environment in the drawings are for  
illustrative purposes only and form no part of the claimed  
design.

**1 Claim, 5 Drawing Sheets**



# US D687,489 S

U.S. PATENT DOCUMENTS							
5,478,994	A	12/1995	Rahman	7,197,639	B1	3/2007	Juels et al.
5,479,512	A	12/1995	Weiss	7,219,368	B2	5/2007	Juels et al.
5,484,997	A	1/1996	Haynes	7,225,537	B2	6/2007	Reed
5,485,519	A	1/1996	Weiss	7,225,994	B2	6/2007	Finkelstein
5,585,787	A	12/1996	Wallerstein	7,246,752	B2	7/2007	Brown
5,591,949	A	1/1997	Bernstein	7,298,243	B2	11/2007	Juels et al.
5,608,203	A	3/1997	Finkelstein et al.	7,334,732	B2	2/2008	Cooper
5,623,552	A	4/1997	Lane	7,337,326	B2	2/2008	Palmer et al.
5,657,388	A	8/1997	Weiss	7,346,775	B2	3/2008	Gasparini et al.
5,834,747	A	11/1998	Cooper	7,356,696	B1	4/2008	Jakobsson et al.
5,834,756	A	11/1998	Gutman et al.	7,357,319	B1	4/2008	Lin et al.
5,856,661	A	1/1999	Finkelstein et al.	7,359,507	B2	4/2008	Kaliski
5,864,623	A	1/1999	Messina et al.	7,360,688	B1	4/2008	Harris
5,907,142	A	5/1999	Kelsey	7,363,494	B2	4/2008	Brainard et al.
5,913,203	A	6/1999	Wong et al.	7,380,710	B2	6/2008	Brown
5,937,394	A	8/1999	Wong et al.	7,398,253	B1	7/2008	Pinnell
5,955,021	A	9/1999	Tiffany, III	7,404,087	B2	7/2008	Teunen
5,956,699	A	9/1999	Wong et al.	7,424,570	B2	9/2008	D'Albore et al.
6,025,054	A	2/2000	Tiffany, III	7,427,033	B1	9/2008	Roskind
6,045,043	A	4/2000	Bashan et al.	7,454,349	B2	11/2008	Teunen et al.
6,076,163	A	6/2000	Hoffstein et al.	7,461,250	B1	12/2008	Duane et al.
6,085,320	A	7/2000	Kaliski	7,461,399	B2	12/2008	Juels et al.
6,095,416	A	8/2000	Grant et al.	7,472,093	B2	12/2008	Juels
6,130,621	A	10/2000	Weiss	7,472,829	B2	1/2009	Brown
6,145,079	A	11/2000	Mitty et al.	7,494,055	B2	2/2009	Fernandes et al.
6,157,920	A	12/2000	Jakobsson et al.	7,502,467	B2	3/2009	Brainard et al.
6,161,181	A	12/2000	Haynes, III et al.	7,502,933	B2	3/2009	Jakobsson et al.
6,176,430	B1	1/2001	Finkelstein et al.	7,503,485	B1	3/2009	Routhenstein
6,182,894	B1	2/2001	Hackett et al.	7,516,492	B1	4/2009	Nisbet et al.
6,189,098	B1	2/2001	Kaliski	7,523,301	B2	4/2009	Nisbet et al.
6,199,052	B1	3/2001	Mitty et al.	7,530,495	B2	5/2009	Cooper
6,206,293	B1	3/2001	Gutman et al.	7,532,104	B2	5/2009	Juels
6,240,184	B1	5/2001	Huynh et al.	7,543,739	B2	6/2009	Brown et al.
6,241,153	B1	6/2001	Tiffany, III	7,559,464	B2	7/2009	Routhenstein
6,256,873	B1	7/2001	Tiffany, III	7,562,221	B2	7/2009	Nystrom et al.
6,269,163	B1	7/2001	Rivest et al.	7,562,222	B2	7/2009	Gasparini et al.
6,286,022	B1	9/2001	Kaliski et al.	7,580,898	B2	8/2009	Brown et al.
6,308,890	B1	10/2001	Cooper	7,584,153	B2	9/2009	Brown et al.
6,313,724	B1	11/2001	Osterweil	7,591,426	B2	9/2009	Osterweil et al.
6,389,442	B1	5/2002	Yin et al.	7,591,427	B2	9/2009	Osterweil
6,393,447	B1	5/2002	Jakobsson et al.	7,602,904	B2	10/2009	Juels et al.
6,411,715	B1	6/2002	Liskov et al.	7,631,804	B2	12/2009	Brown
6,446,052	B1	9/2002	Juels	7,639,537	B2	12/2009	Sepe et al.
6,460,141	B1	10/2002	Olden	7,641,124	B2	1/2010	Brown et al.
6,592,044	B1	7/2003	Wong et al.	7,660,902	B2	2/2010	Graham et al.
6,607,127	B2	8/2003	Wong	7,828,207	B2	11/2010	Cooper
6,609,654	B1	8/2003	Anderson et al.	D651,238	S *	12/2011	Mullen et al. .... D19/10
6,631,849	B2	10/2003	Blossom	D652,867	S *	1/2012	Mullen et al. .... D19/10
6,655,585	B2	12/2003	Shinn	D666,241	S *	8/2012	Mullen et al. .... D19/10
6,681,988	B2	1/2004	Stack et al.	D667,495	S *	9/2012	Bender ..... D19/10
6,705,520	B1	3/2004	Pitroda et al.	2001/0034702	A1	10/2001	Mockett et al.
6,755,341	B1	6/2004	Wong et al.	2001/0047335	A1	11/2001	Arndt et al.
6,764,005	B2	7/2004	Cooper	2002/0059114	A1	5/2002	Cockrill et al.
6,769,618	B1	8/2004	Finkelstein	2002/0082989	A1	6/2002	Fife et al.
6,805,288	B2	10/2004	Routhenstein et al.	2002/0096570	A1	7/2002	Wong et al.
6,811,082	B2	11/2004	Wong	2002/0120583	A1	8/2002	Keresman, III et al.
6,813,354	B1	11/2004	Jakobsson et al.	2003/0034388	A1	2/2003	Routhenstein et al.
6,817,532	B2	11/2004	Finkelstein	2003/0052168	A1	3/2003	Wong
6,873,974	B1	3/2005	Schutzer	2003/0057278	A1	3/2003	Wong
6,902,116	B2	6/2005	Finkelstein	2003/0116635	A1	6/2003	Taban
6,970,070	B2	11/2005	Juels et al.	2003/0152253	A1	8/2003	Wong
6,980,969	B1	12/2005	Tuchler et al.	2003/0163287	A1	8/2003	Vock et al.
6,985,583	B1	1/2006	Brainard et al.	2003/0173409	A1	9/2003	Vogt et al.
6,991,155	B2	1/2006	Burchette, Jr.	2003/0179909	A1	9/2003	Wong et al.
7,013,030	B2	3/2006	Wong et al.	2003/0179910	A1	9/2003	Wong
7,035,443	B2	4/2006	Wong	2003/0226899	A1	12/2003	Finkelstein
7,039,223	B2	5/2006	Wong	2004/0035942	A1	2/2004	Silverman
7,044,394	B2	5/2006	Brown	2004/0133787	A1	7/2004	Doughty
7,051,929	B2	5/2006	Li	2004/0162732	A1	8/2004	Rahim et al.
7,083,094	B2	8/2006	Cooper	2004/0172535	A1	9/2004	Jakobsson
7,100,049	B2	8/2006	Gasparini et al.	2004/0177045	A1	9/2004	Brown
7,100,821	B2	9/2006	Rasti	2005/0043997	A1	2/2005	Sohata et al.
7,111,172	B1	9/2006	Duane et al.	2005/0080747	A1	4/2005	Anderson et al.
7,114,652	B2	10/2006	Moulllette et al.	2005/0086160	A1	4/2005	Wong et al.
7,136,514	B1	11/2006	Wong	2005/0086177	A1	4/2005	Anderson et al.
7,140,550	B2	11/2006	Ramachandran	2005/0116026	A1	6/2005	Burger et al.
7,163,153	B2	1/2007	Blossom	2005/0119940	A1	6/2005	Concilio et al.
7,195,154	B2	3/2007	Routhenstein	2005/0154643	A1	7/2005	Doan et al.
				2005/0228959	A1	10/2005	D'Albore et al.



# US D687,489 S

Page 3

2006/0000900 A1 1/2006 Fernandes et al.  
2006/0037073 A1 2/2006 Juels et al.  
2006/0041759 A1 2/2006 Kaliski et al.  
2006/0085328 A1 4/2006 Cohen et al.  
2006/0091223 A1 5/2006 Zellner  
2006/0161435 A1 7/2006 Atef et al.  
2006/0163353 A1 7/2006 Moulette et al.  
2006/0174104 A1 8/2006 Crichton et al.  
2006/0196931 A1 9/2006 Holtmanns et al.  
2006/0256961 A1 11/2006 Brainard et al.  
2007/0034700 A1 2/2007 Poidomani et al.  
2007/0114274 A1 5/2007 Gibbs et al.  
2007/0124321 A1 5/2007 Szydlo  
2007/0152070 A1 7/2007 D'Albore  
2007/0152072 A1 7/2007 Frallicciardi et al.  
2007/0153487 A1 7/2007 Frallicciardi et al.  
2007/0174614 A1 7/2007 Duane et al.  
2007/0192249 A1 8/2007 Biffle et al.  
2007/0241183 A1 10/2007 Brown et al.  
2007/0241201 A1 10/2007 Brown et al.  
2007/0256123 A1 11/2007 Duane et al.  
2007/0291753 A1 12/2007 Romano  
2008/0005510 A1 1/2008 Sepe et al.  
2008/0008315 A1 1/2008 Fontana et al.  
2008/0008322 A1 1/2008 Fontana et al.  
2008/0010675 A1 1/2008 Massascusa et al.  
2008/0016351 A1 1/2008 Fontana et al.  
2008/0019507 A1 1/2008 Fontana et al.  
2008/0028447 A1 1/2008 O'Malley et al.  
2008/0040271 A1 2/2008 Hammad et al.  
2008/0040276 A1 2/2008 Hammad et al.  
2008/0058016 A1 3/2008 Di Maggio et al.  
2008/0059379 A1 3/2008 Ramaci et al.  
2008/0096326 A1 4/2008 Reed  
2008/0126398 A1 5/2008 Cimino  
2008/0128515 A1 6/2008 Di Iorio  
2008/0148394 A1 6/2008 Poidomani et al.  
2008/0201264 A1 8/2008 Brown et al.

2008/0209550 A1 8/2008 Di Iorio  
2008/0288699 A1 11/2008 Chichierchia  
2008/0294930 A1 11/2008 Varone et al.  
2008/0302877 A1 12/2008 Musella et al.  
2009/0013122 A1 1/2009 Sepe et al.  
2009/0036147 A1 2/2009 Romano  
2009/0046522 A1 2/2009 Sepe et al.  
2009/0108064 A1 4/2009 Fernandes et al.  
2009/0150295 A1 6/2009 Hatch et al.  
2009/0152365 A1 6/2009 Li et al.  
2009/0242648 A1 10/2009 Di Sirio et al.  
2009/0244858 A1 10/2009 Di Sirio et al.  
2009/0253460 A1 10/2009 Varone et al.  
2009/0255996 A1 10/2009 Brown et al.  
2009/0290704 A1 11/2009 Cimino  
2009/0303885 A1 12/2009 Longo  
2011/0028184 A1 2/2011 Cooper

## FOREIGN PATENT DOCUMENTS

WO	WO0247019	6/2002
WO	WO2006066322	6/2006
WO	WO2006080929	8/2006
WO	WO2006105092	10/2006
WO	WO2006116772	11/2006
WO	WO2008064403	6/2008

## OTHER PUBLICATIONS

U.S. Appl. No. 60/675,388, Poidomani et al.  
The Bank Credit Card Business. Second Edition, American Bankers Association, Washington, D.C., 1996.  
A Day in the Life of a Flux Reversal. <http://www.phrack.org/issues.html?issue=37&id=6#article>. As viewed on Apr. 12, 2010.  
Dynamic Virtual Credit Card Numbers. <http://homes.cerias.purdue.edu/~jtli/paper/fc07.pdf>. As viewed on Apr. 12, 2010.  
English translation of JP 05210770 A.

\* cited by examiner

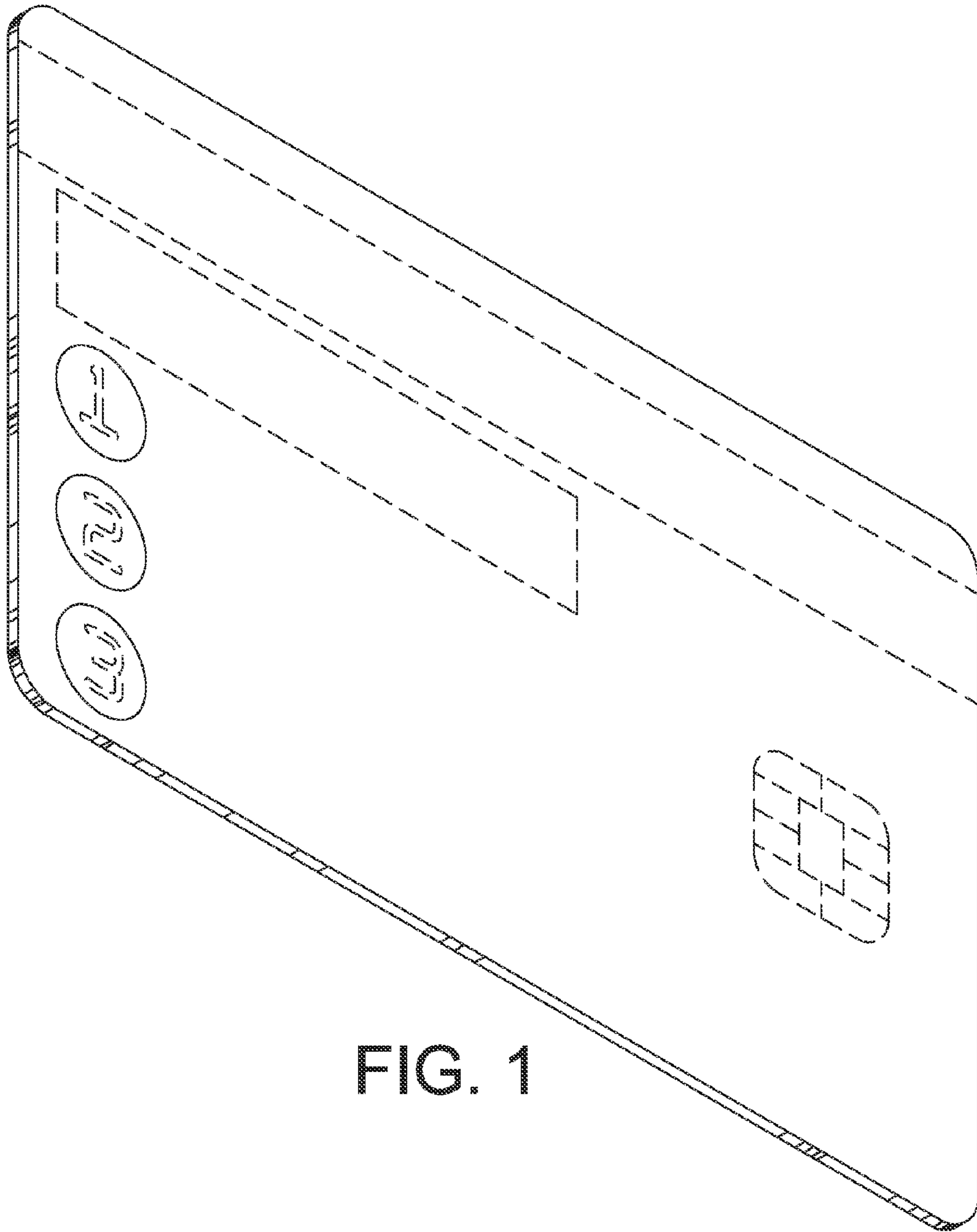


FIG. 1

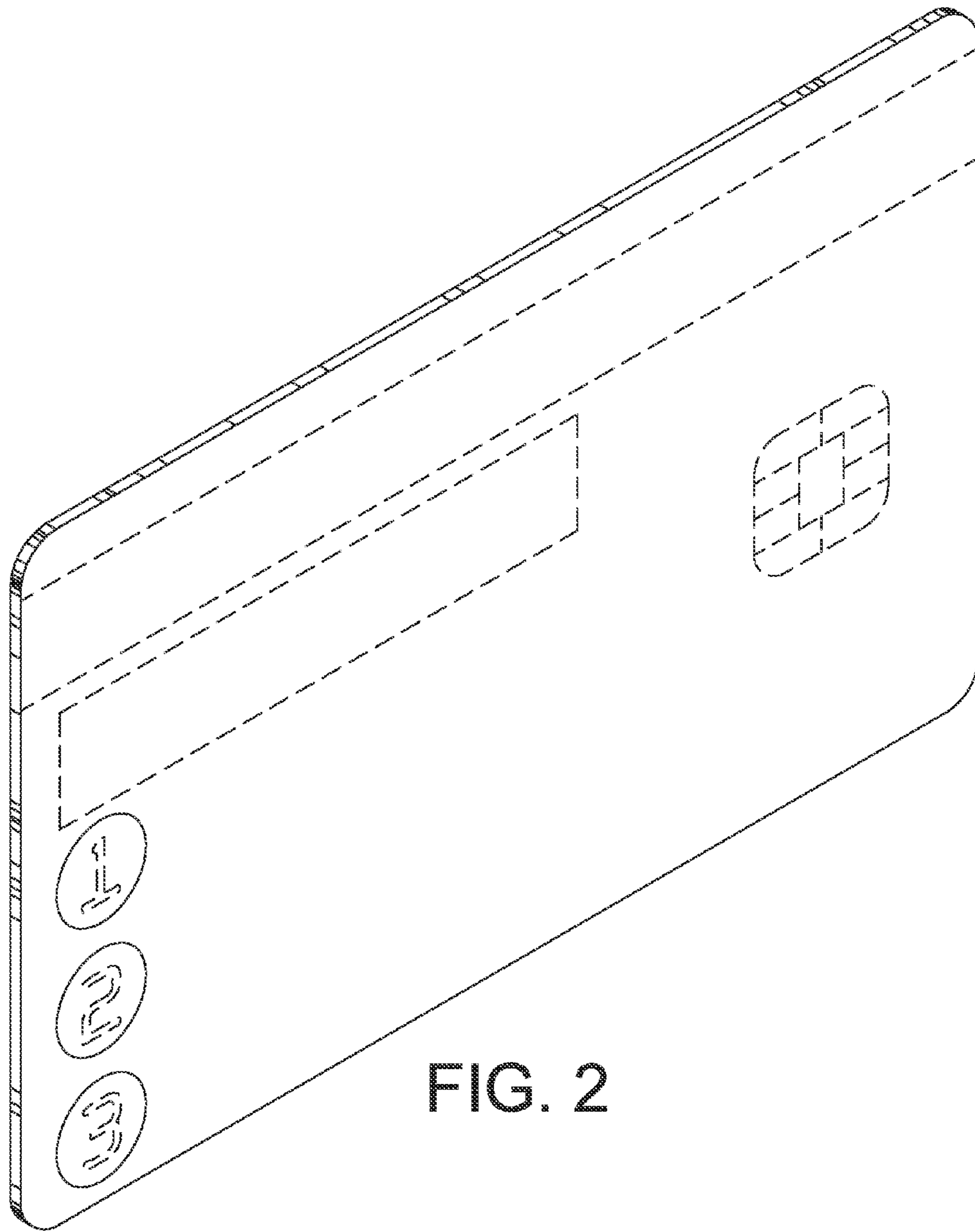


FIG. 2

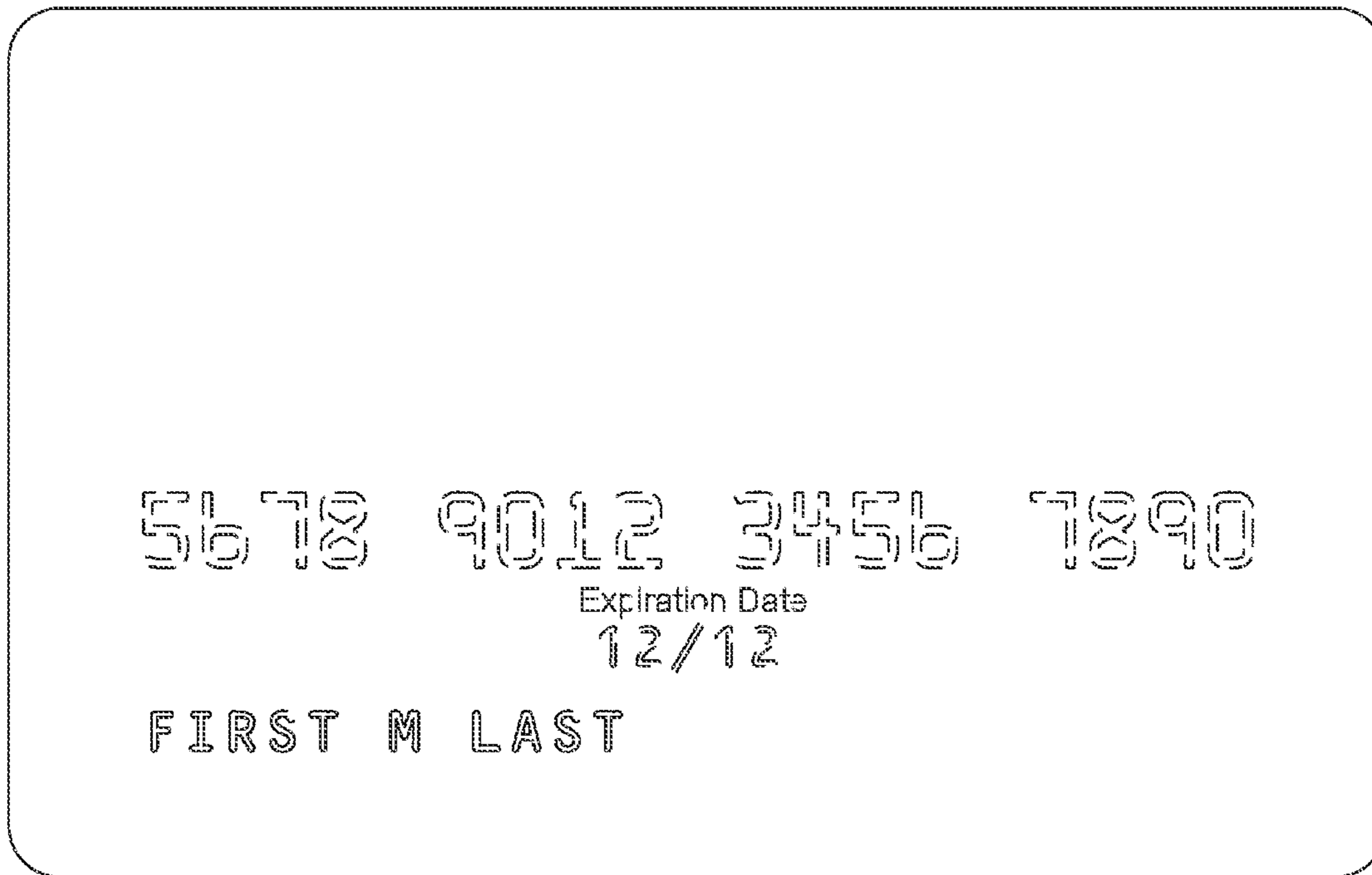


FIG. 3

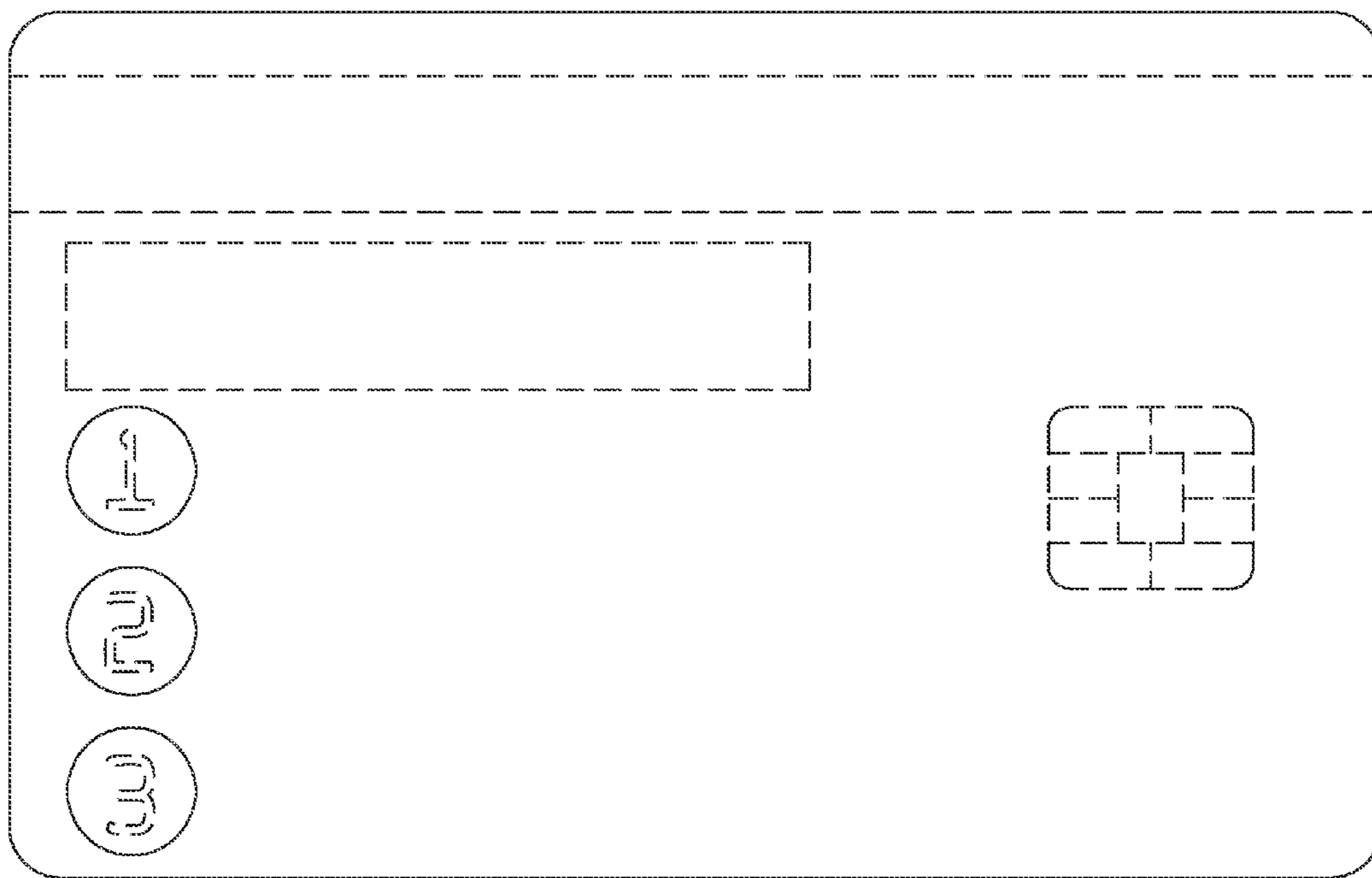


FIG. 4

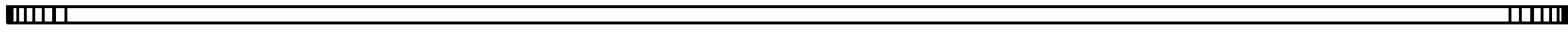


FIG. 5

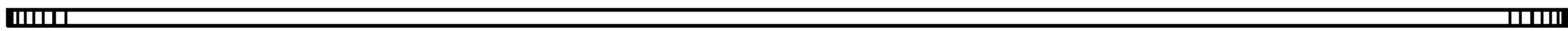


FIG. 6

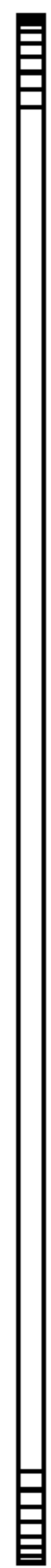


FIG. 7



FIG. 8