



US00D687484S

(12) **United States Design Patent**
Eun

(10) **Patent No.:** **US D687,484 S**

(45) **Date of Patent:** **** Aug. 6, 2013**

(54) **REGISTER FOR POINT OF SALE**

(75) Inventor: **Dong Uk Eun**, Seoul (KR)

(73) Assignee: **Posbank**, Seoul (KR)

(**) Term: **14 Years**

(21) Appl. No.: **29/428,289**

(22) Filed: **Jul. 28, 2012**

(30) **Foreign Application Priority Data**

Mar. 19, 2012 (KR) 30-2012-12844

(51) **LOC (9) Cl.** **18-01**

(52) **U.S. Cl.**
USPC **D18/4.6**

(58) **Field of Classification Search**
USPC D14/336, 371-376, 387; D18/3.1-3.3,
D18/4.1-4.6, 6-8, 11, 12, 12.1-12.3; D21/324,
D21/325, 332; D99/28, 34-36, 43; 235/1 E,
235/2, 7 R, 12, 22, 33, 51, 52; 705/12, 15-18,
705/43

See application file for complete search history.

(56) **References Cited**

U.S. PATENT DOCUMENTS

D345,564 S * 3/1994 Kadono et al. D18/2
D424,098 S * 5/2000 Kim D18/4.5
D458,255 S * 6/2002 Hsu D14/373

D508,519 S * 8/2005 Kuramochi et al. D18/4.1
D527,760 S * 9/2006 Ono D18/4.5
D542,834 S * 5/2007 Ando et al. D18/4.6
D544,028 S * 6/2007 Hanafusa et al. D18/4.4
D587,296 S * 2/2009 Kuramochi D18/4.5
D615,120 S * 5/2010 Ono D18/4.5
D676,900 S * 2/2013 Ohno et al. D18/4.4
D680,108 S * 4/2013 Kumagai et al. D14/336

* cited by examiner

Primary Examiner — Garth Rademaker

(74) *Attorney, Agent, or Firm* — WRB-IP LLP

(57) **CLAIM**

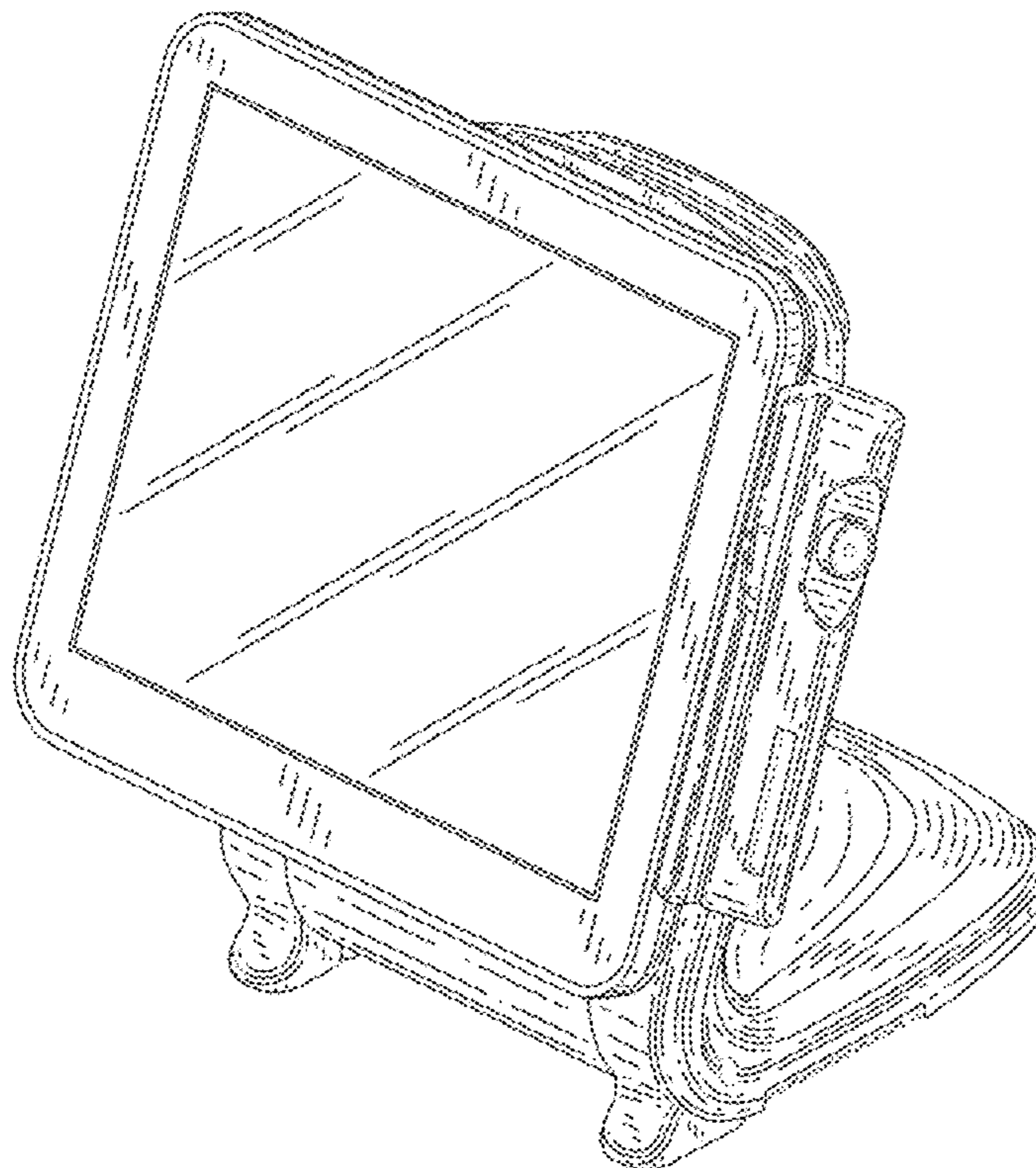
The ornamental design for a register for point of sale, as shown and described.

DESCRIPTION

FIG. 1 is a front perspective view of a register for point of sale; FIG. 2 is a front view of the register for point of sale; FIG. 3 is a rear view of the register for point of sale; FIG. 4 is a left side view of the register for point of sale; FIG. 5 is a right side view of the register for point of sale; FIG. 6 is a top view of the register for point of sale; FIG. 7 is a bottom view of the register for point of sale; and, FIG. 8 is an exploded right side view of the register for point of sale.

The broken lines depict portions of the register for point of sale which form no part of the claimed design.

1 Claim, 8 Drawing Sheets



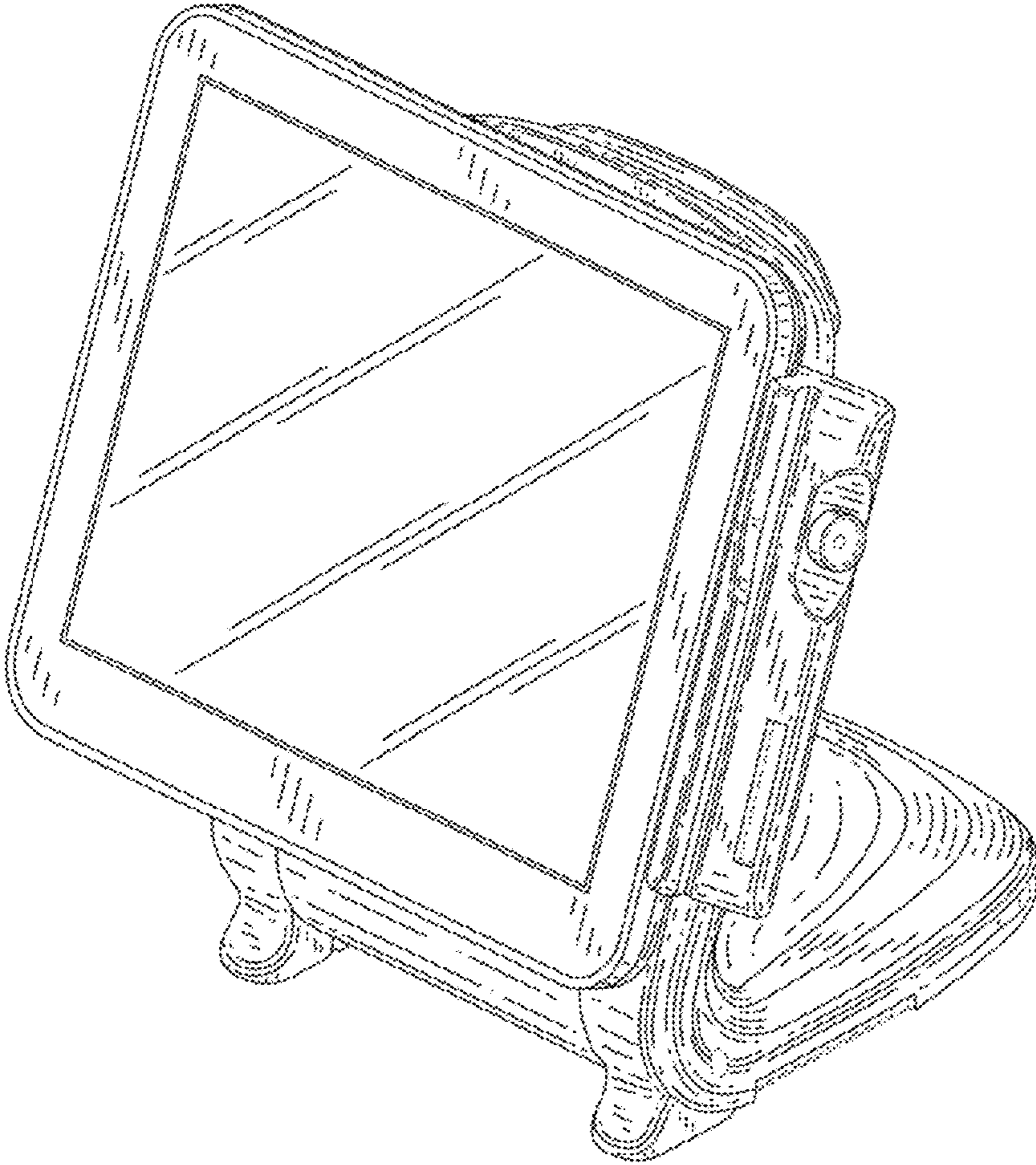


FIG. 1

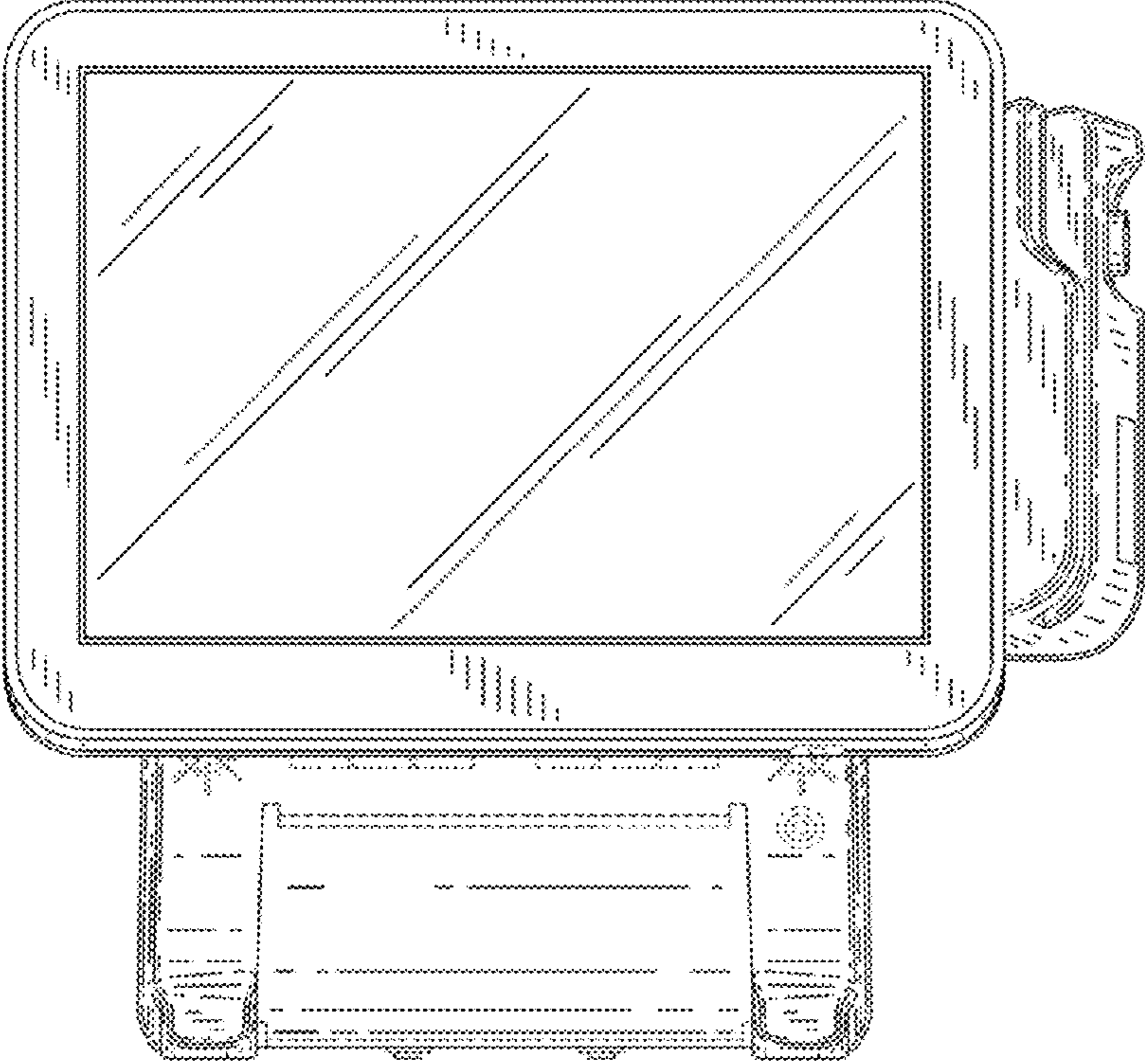


FIG. 2

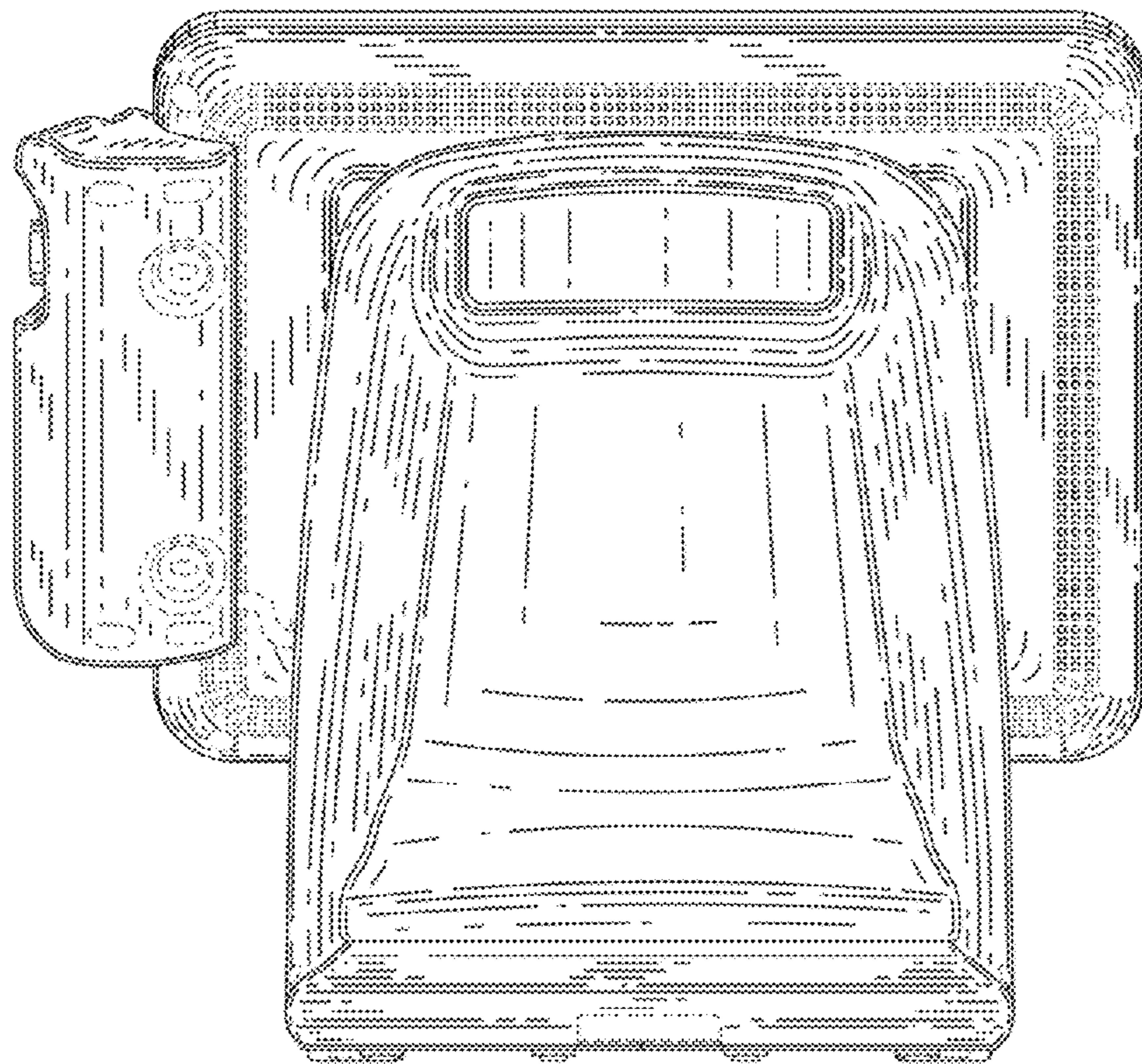


FIG. 3

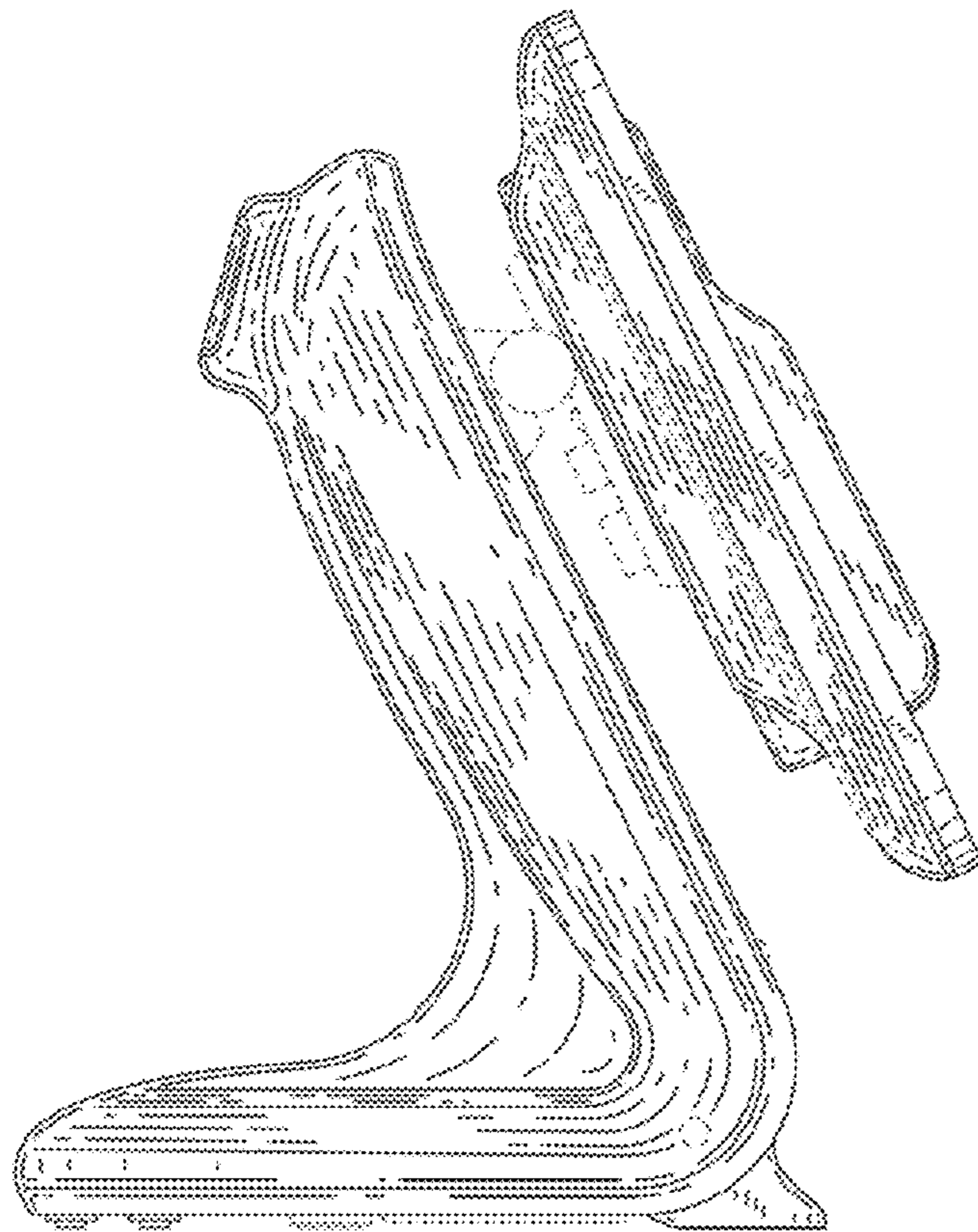


FIG. 4

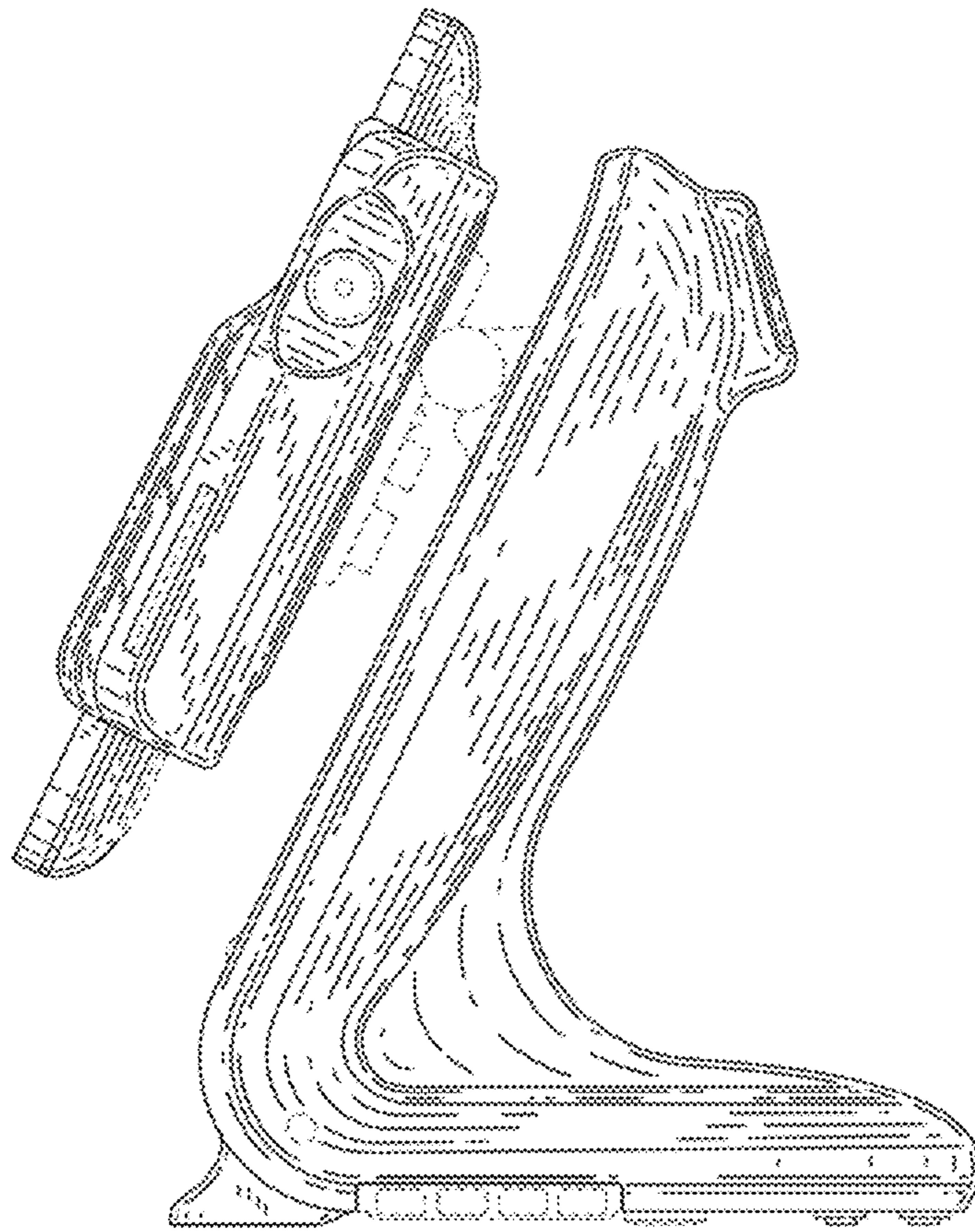


FIG. 5

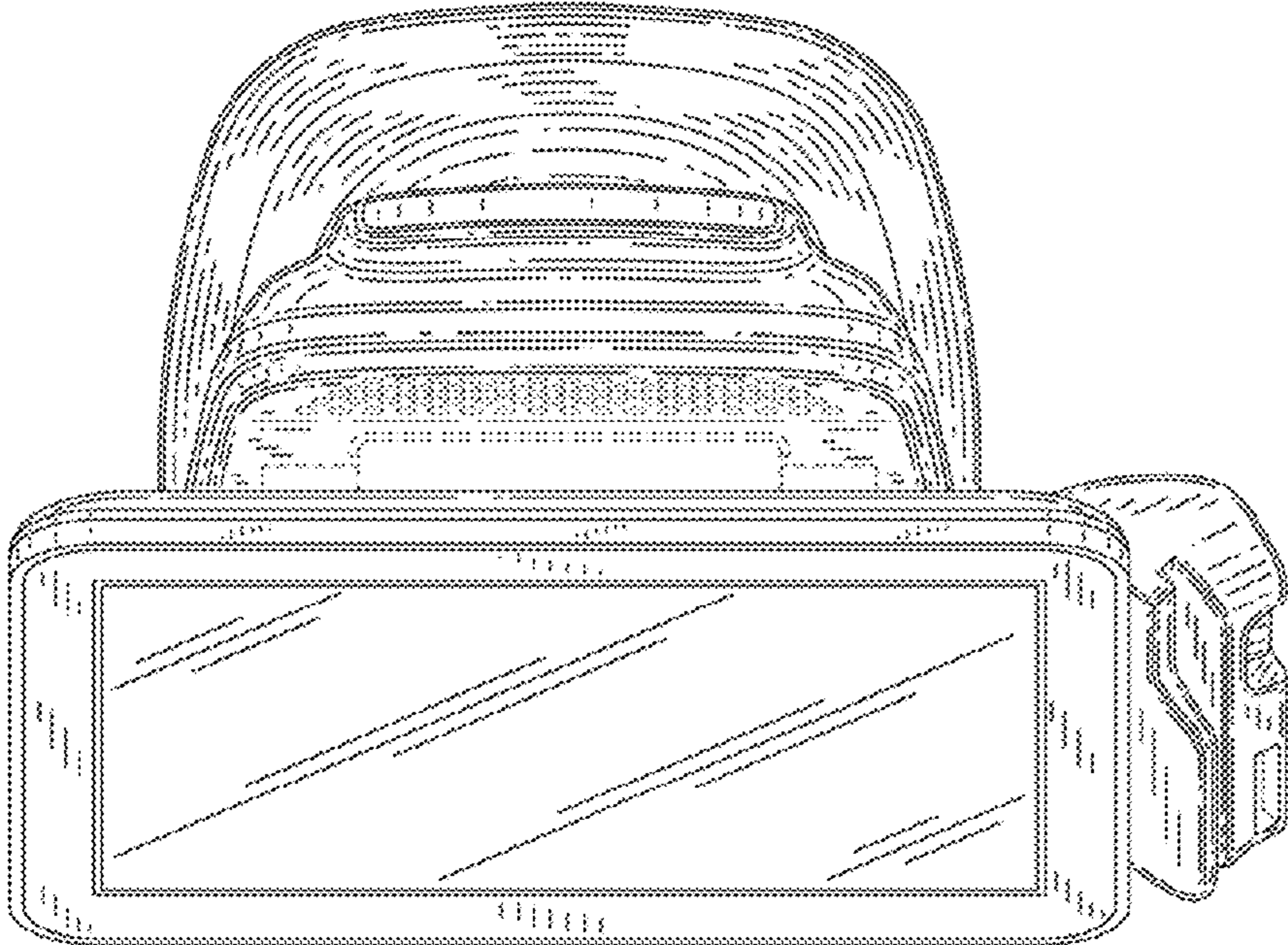


FIG. 6

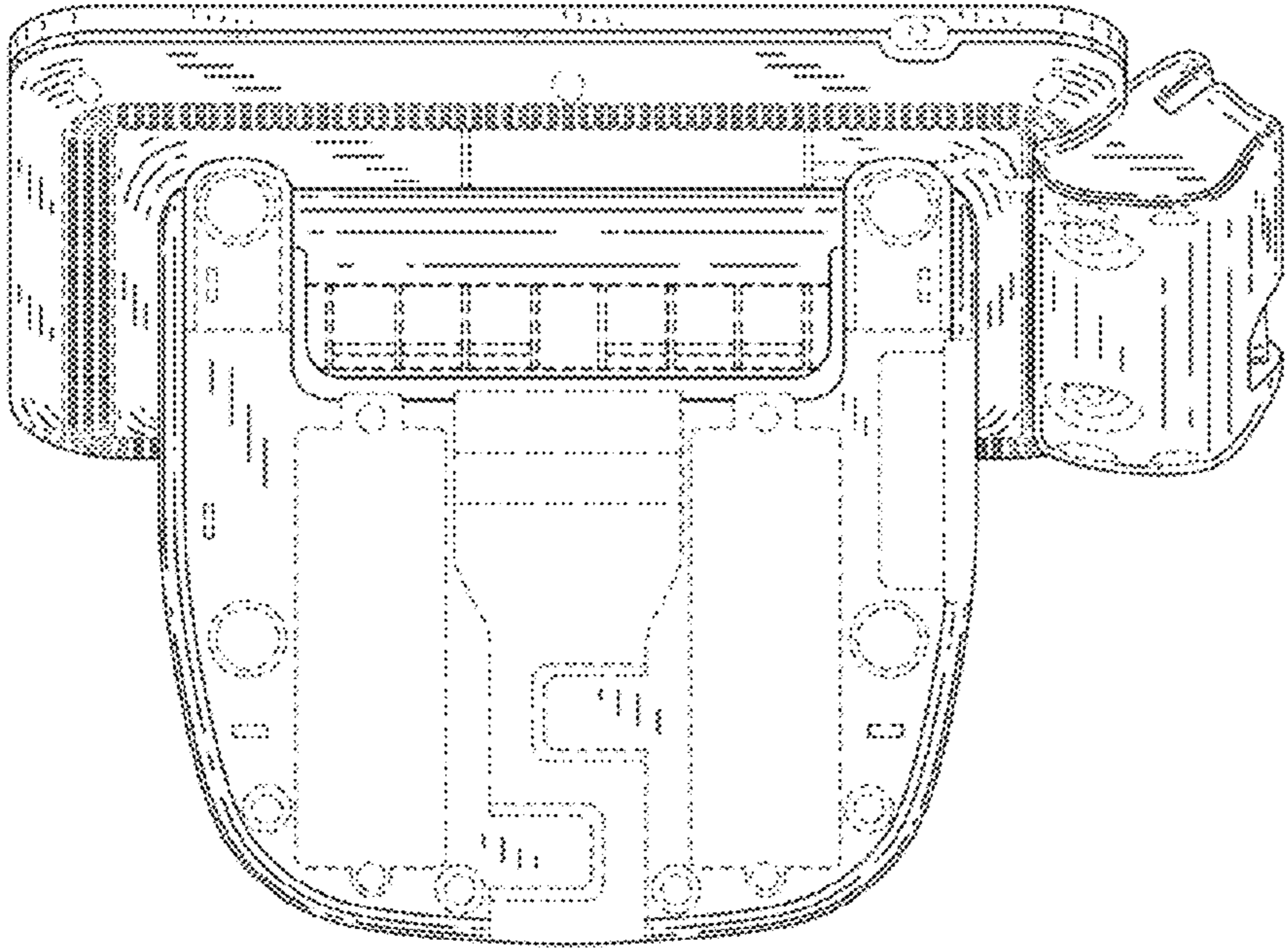


FIG. 7

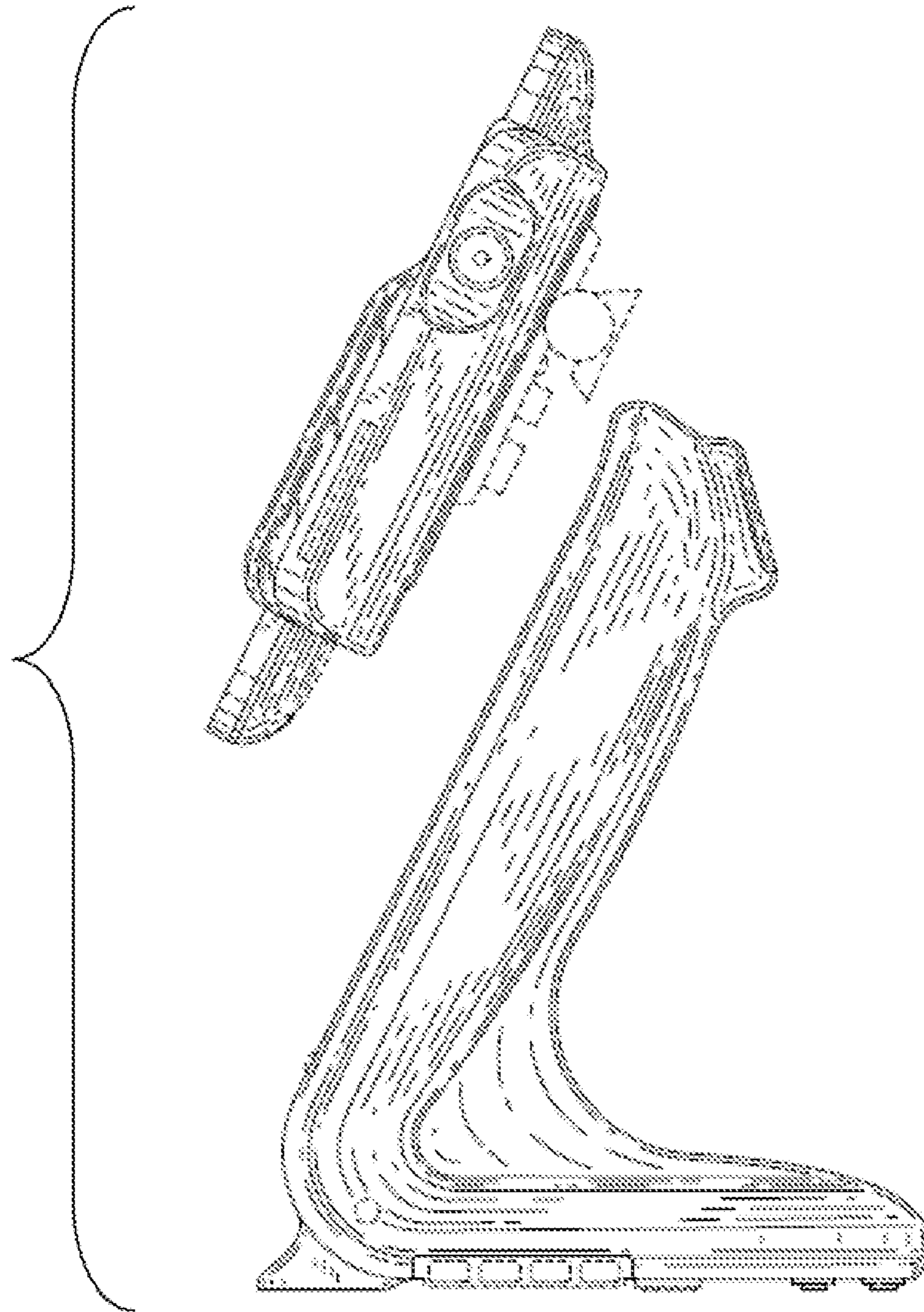


FIG. 8