



US00D687483S

(12) **United States Design Patent**
Hagiwara et al.

(10) **Patent No.:** **US D687,483 S**

(45) **Date of Patent:** **** Aug. 6, 2013**

(54) **POINT-OF-SALE TERMINAL**

(56) **References Cited**

(75) Inventors: **Natsuki Hagiwara**, Kawasaki (JP);
Takahiro Iwamoto, Kawasaki (JP);
Mariko Jinno, Tokyo (JP); **Takeshi**
Nakatani, Tokyo (JP)

U.S. PATENT DOCUMENTS

D363,467	S	*	10/1995	Takahashi	D14/336
D525,282	S	*	7/2006	Barnes et al.	D18/4.5
D526,002	S	*	8/2006	Nakajima et al.	D18/4.5
D528,585	S	*	9/2006	Ono	D18/4.5
D542,333	S	*	5/2007	Ando et al.	D18/4.6
D569,898	S	*	5/2008	Masuda	D18/4.5
D594,055	S	*	6/2009	Hagiwara et al.	D18/4.5

(73) Assignee: **NEC Infrontia Corporation**,
Kawasaki-Shi, Kanagawa (JP)

* cited by examiner

(**) Term: **14 Years**

Primary Examiner — Garth Rademaker

(21) Appl. No.: **29/401,997**

(74) *Attorney, Agent, or Firm* — Buchanan Ingersoll & Rooney PC

(22) Filed: **Sep. 19, 2011**

(57) **CLAIM**

The ornamental design for a point-of-sale terminal, as shown and described.

(30) **Foreign Application Priority Data**

DESCRIPTION

Jun. 23, 2011 (JP) 2011-14259

(51) **LOC (9) Cl.** **18-01**

(52) **U.S. Cl.**
USPC **D18/4.4; D18/4.5**

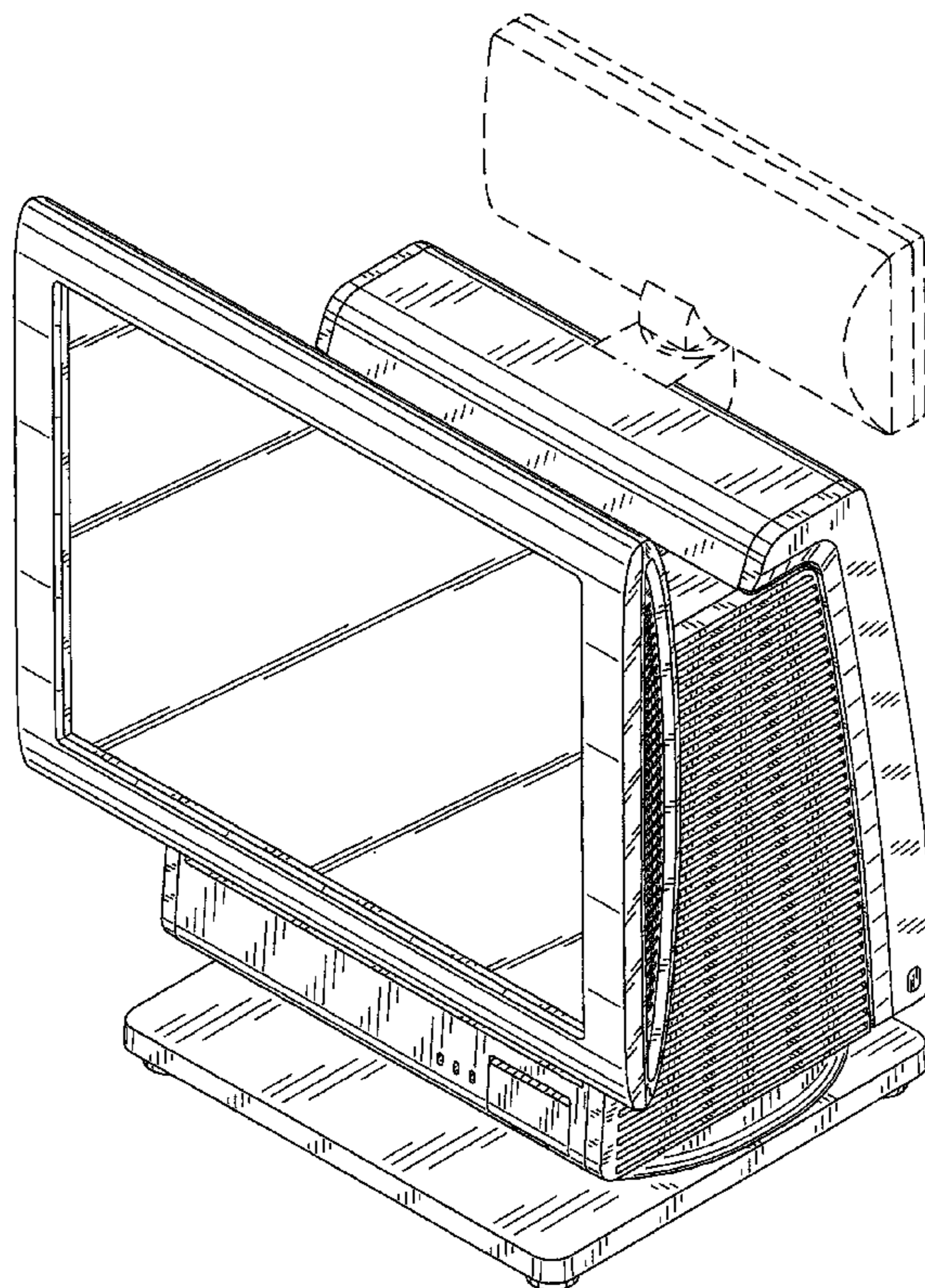
(58) **Field of Classification Search**
USPC D14/336, 371–376, 387; D18/3.1–3.3,
D18/4.1–4.6, 6–12, 12.1–12.3; D21/324,
D21/325, 332; D99/28, 34–36, 43; 235/1 E,
235/2, 7 R, 12, 22, 33, 51, 52; 705/12, 15–18,
705/43

FIG. 1 is a front, right side, top perspective view of a point-of-sale terminal showing our new design; FIG. 2 is a front elevational view thereof; FIG. 3 is a rear elevational view thereof; FIG. 4 is a left side view thereof; FIG. 5 is a right side view thereof; FIG. 6 is a top plan view thereof; and, FIG. 7 is a bottom plan view thereof.

In the drawings, the broken lines depict environmental subject matter that forms no part of the claimed design. The dash-dot lines represent the boundary between the claimed design and unclaimed subject matter.

See application file for complete search history.

1 Claim, 7 Drawing Sheets



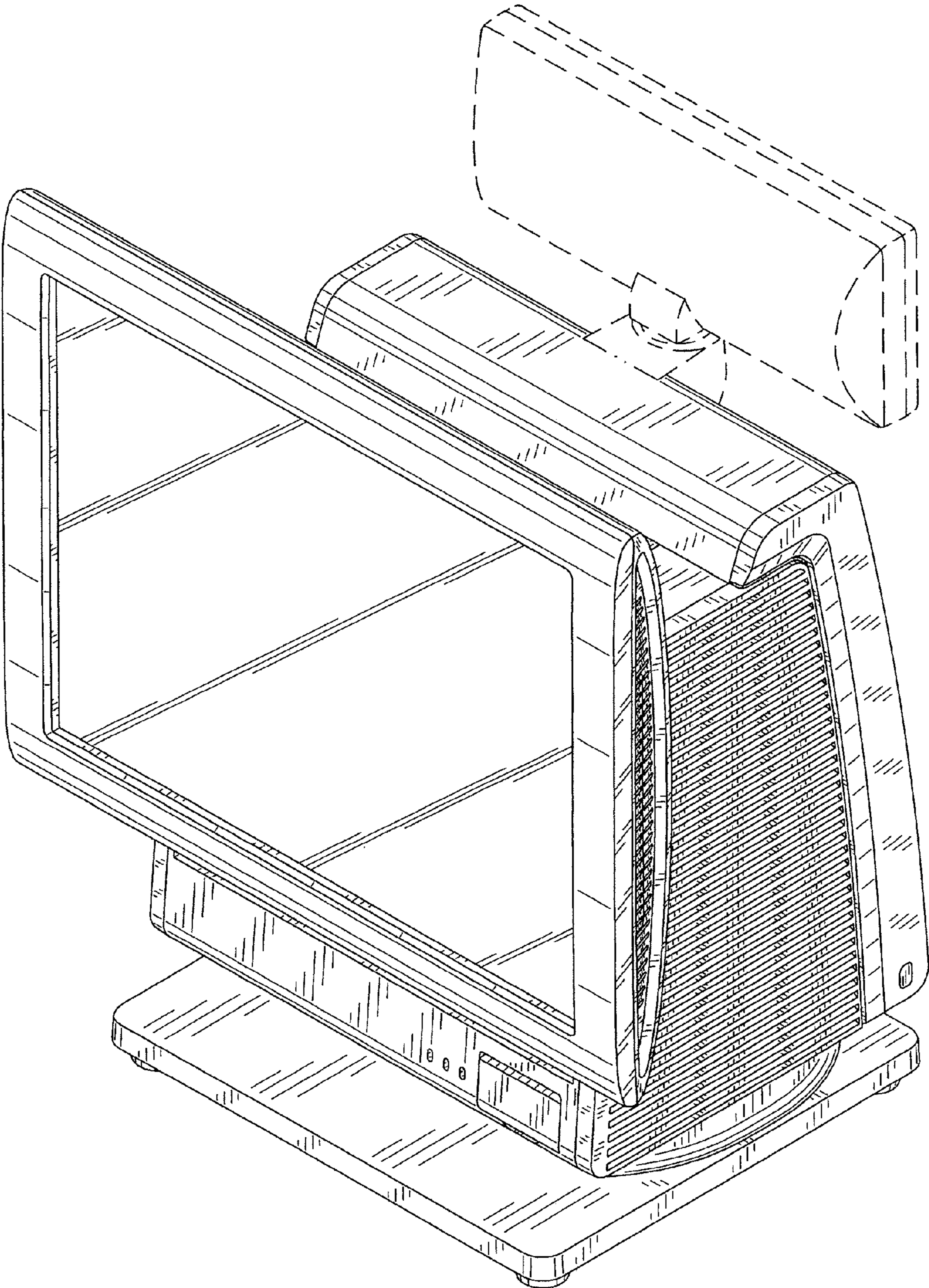


FIG. 1

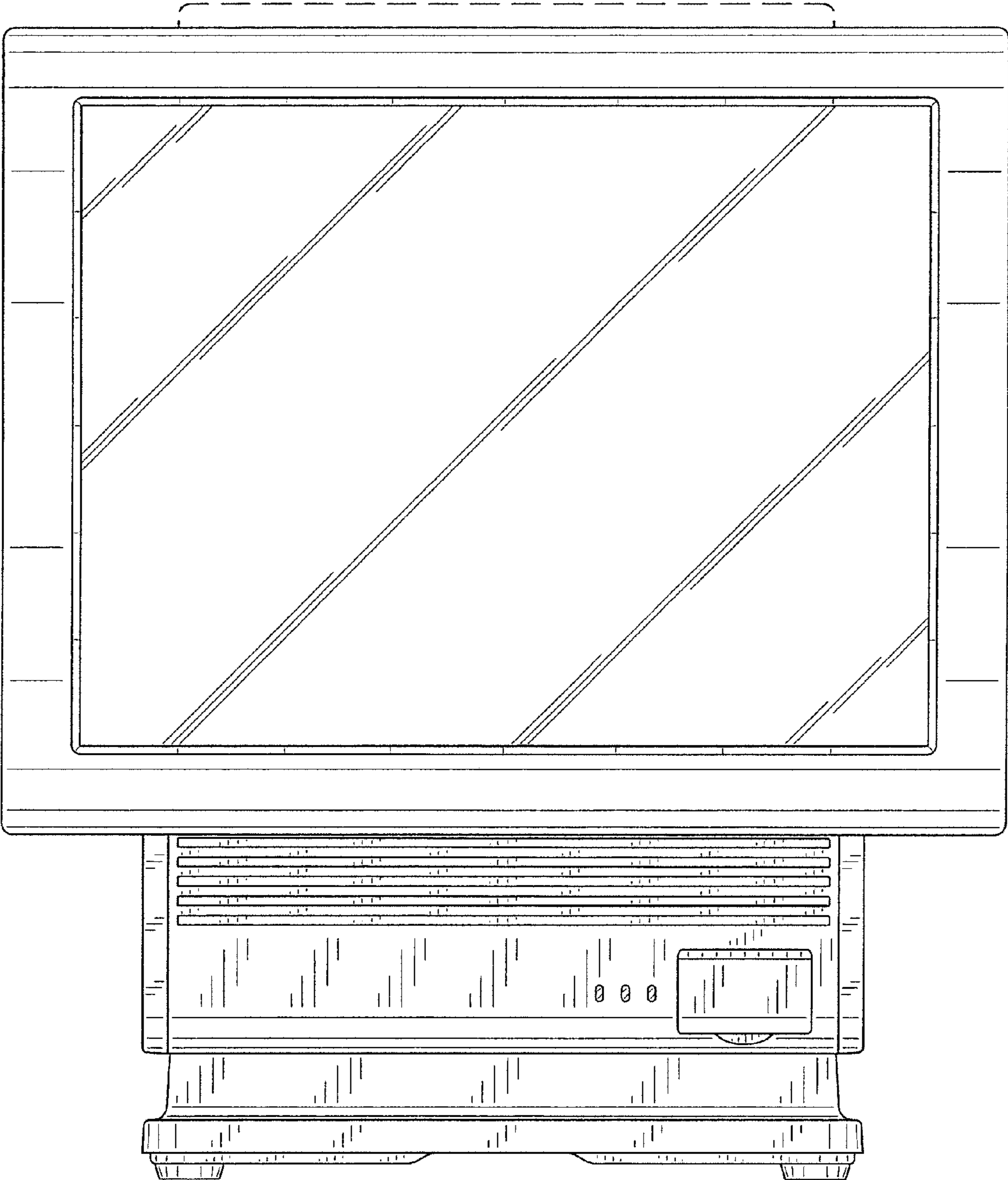


FIG. 2

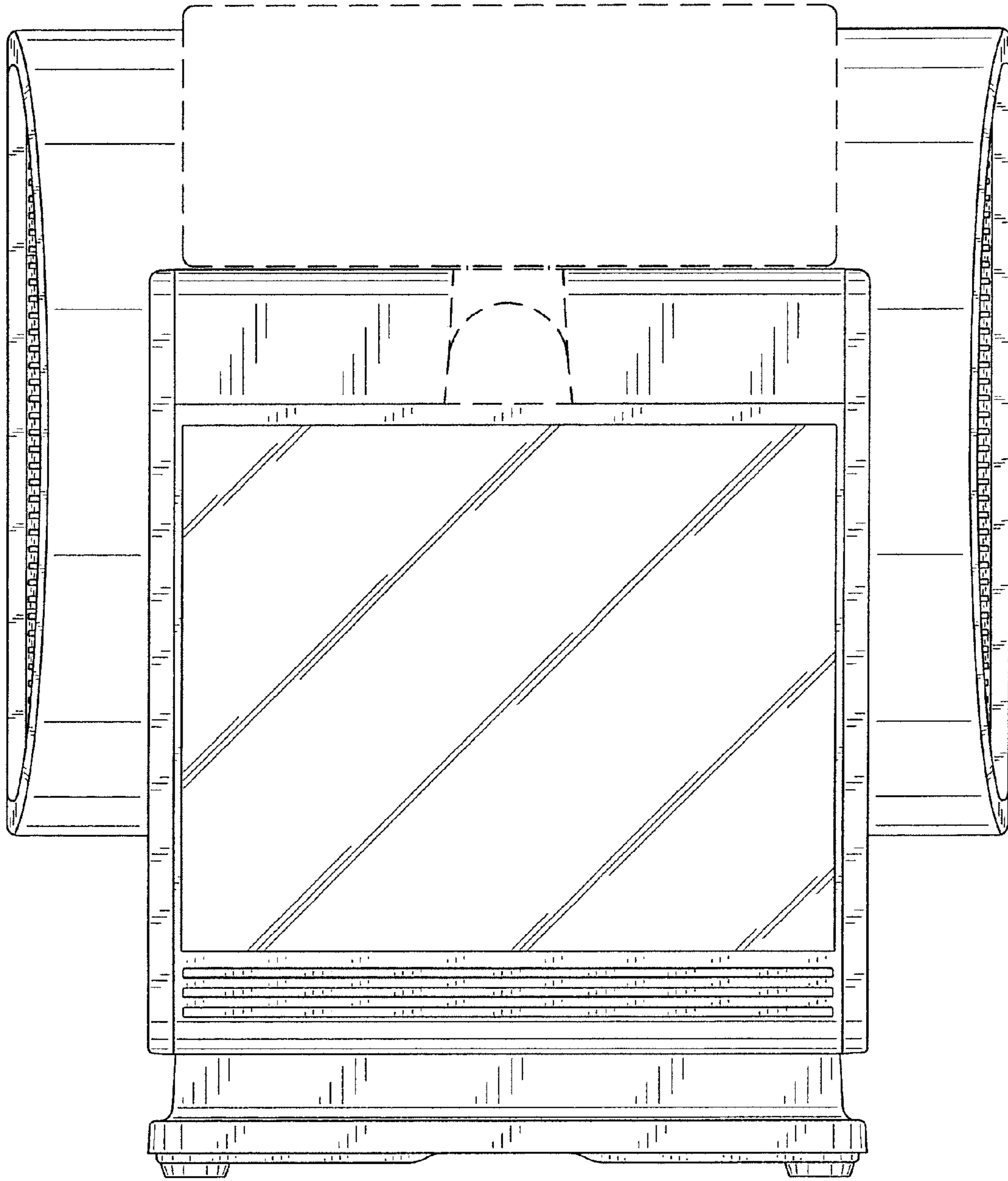


FIG. 3

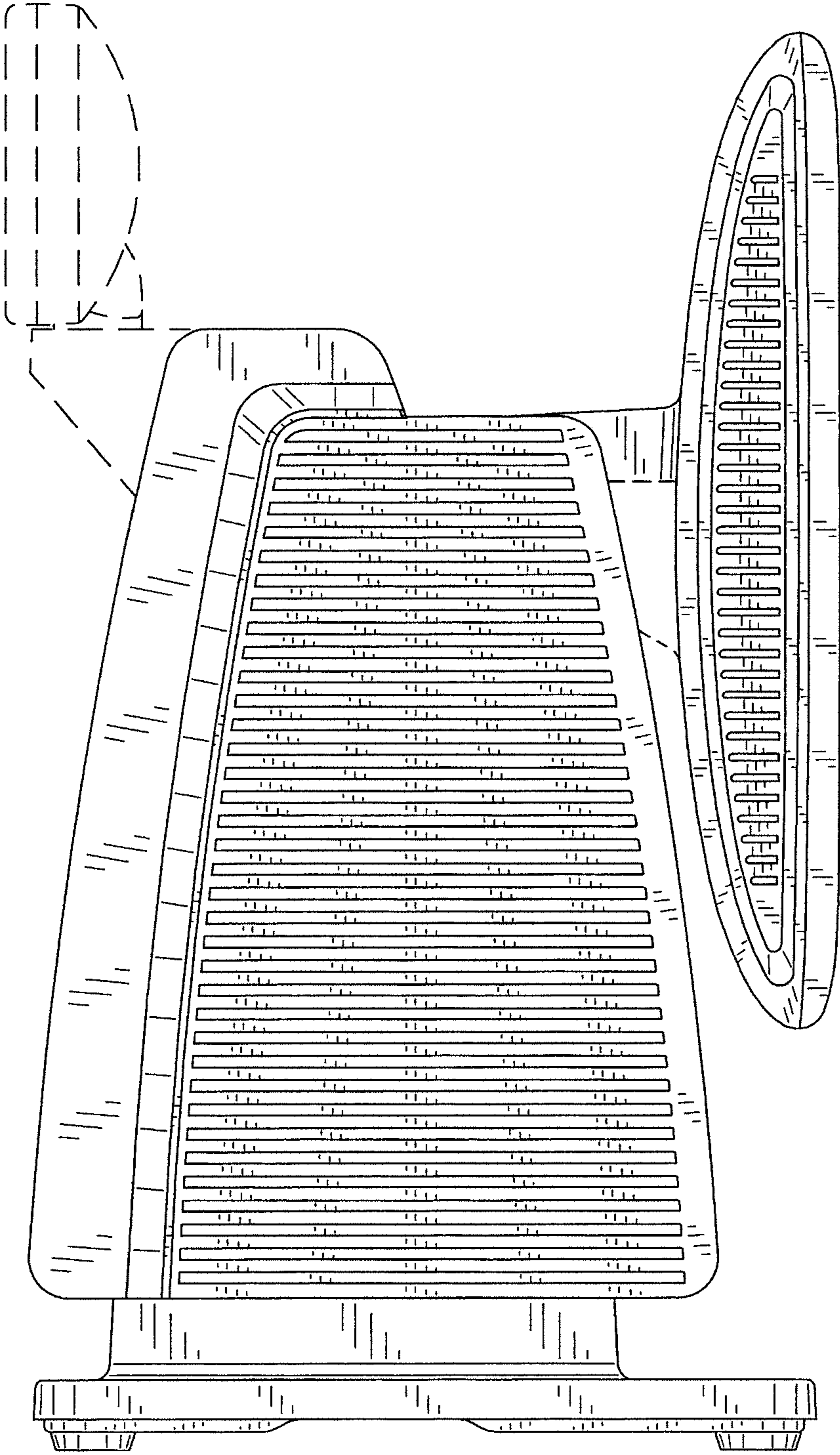


FIG. 4

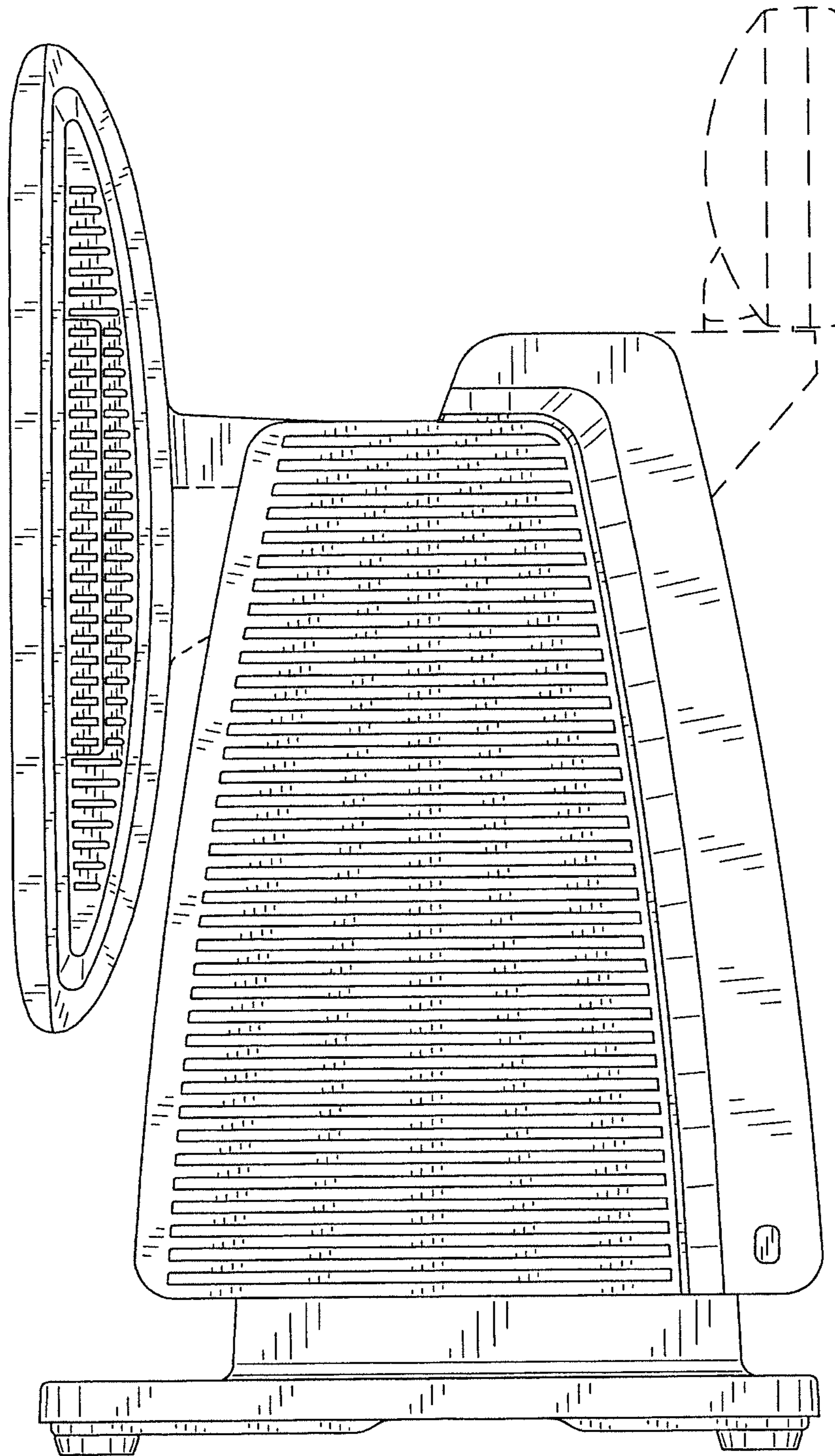


FIG. 5

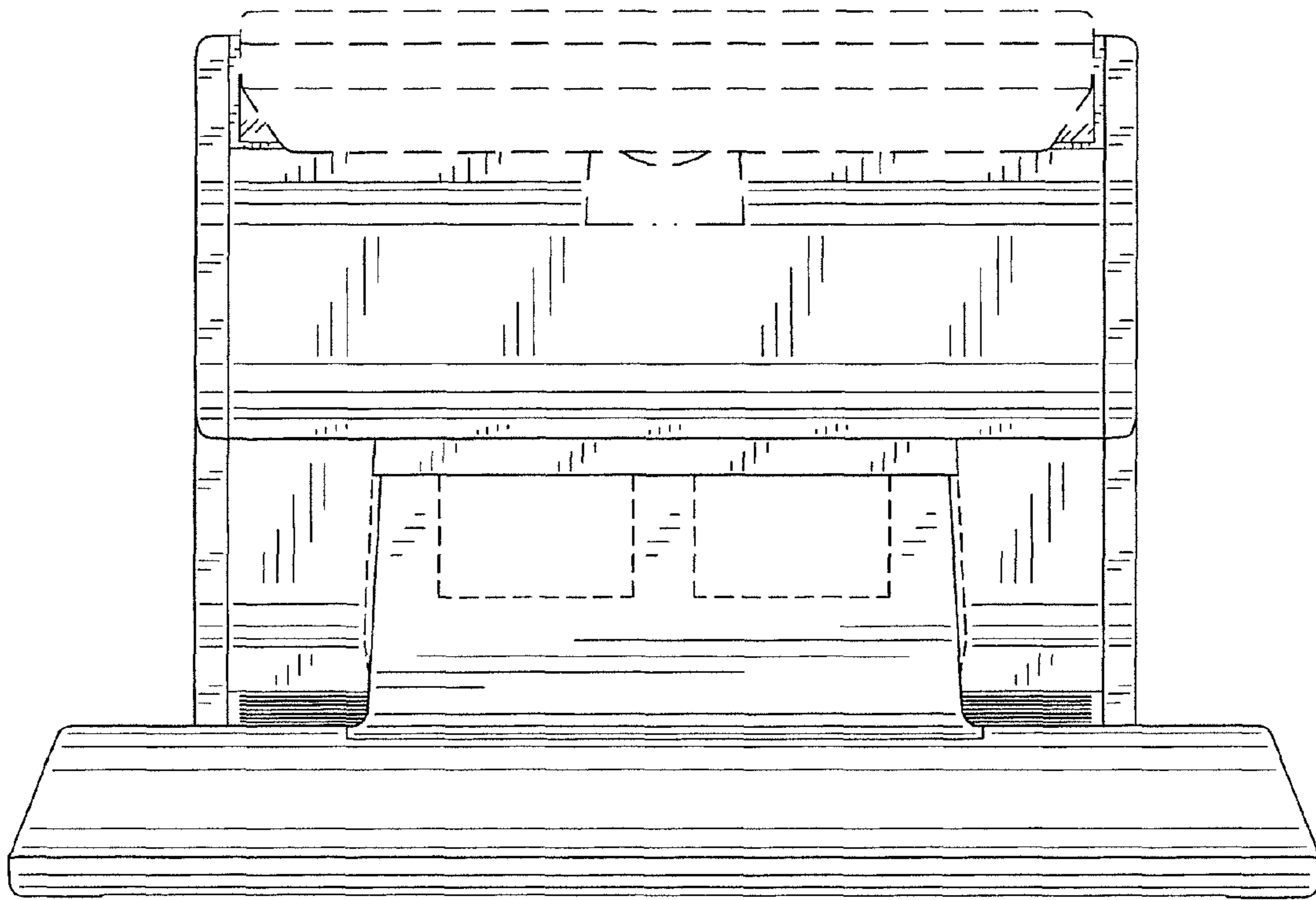


FIG. 6

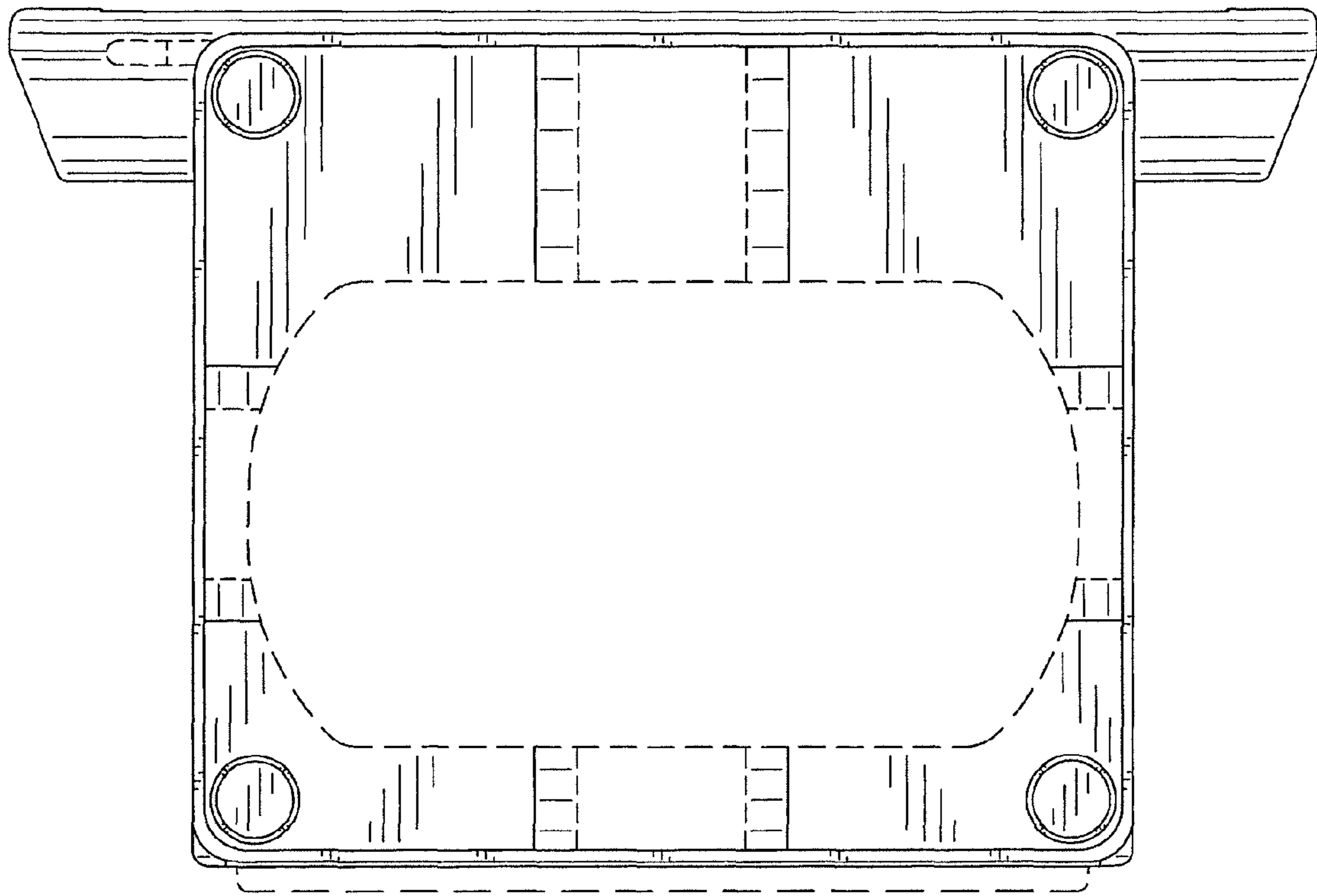


FIG. 7