



US00D687482S

(12) **United States Design Patent**
Gates

(10) **Patent No.:** **US D687,482 S**

(45) **Date of Patent:** **** Aug. 6, 2013**

(54) **DRUM CHAMBER**

(76) Inventor: **Dwayne Gates**, Roanoke, TX (US)

(**) Term: **14 Years**

(21) Appl. No.: **29/421,727**

(22) Filed: **Sep. 11, 2012**

(51) **LOC (9) Cl.** **17-04**

(52) **U.S. Cl.**
USPC **D17/22**

(58) **Field of Classification Search**
USPC D17/22, 99; 84/411 R, 415, 419,
84/420, 411 M; D21/405
See application file for complete search history.

(56) **References Cited**

U.S. PATENT DOCUMENTS

D257,989	S	*	1/1981	Ludwig	D17/22
5,587,543	A	*	12/1996	Da Silva Marques	84/411 M
D453,178	S	*	1/2002	Reyes	D17/22
D489,751	S	*	5/2004	Liao	D17/22

8,115,088	B2	*	2/2012	Herrera	84/411 R
D668,712	S	*	10/2012	Gates	D17/22
2007/0283797	A1	*	12/2007	Crawford et al.	84/411 R

* cited by examiner

Primary Examiner — Rashida Johnson

(74) *Attorney, Agent, or Firm* — David G. Moore

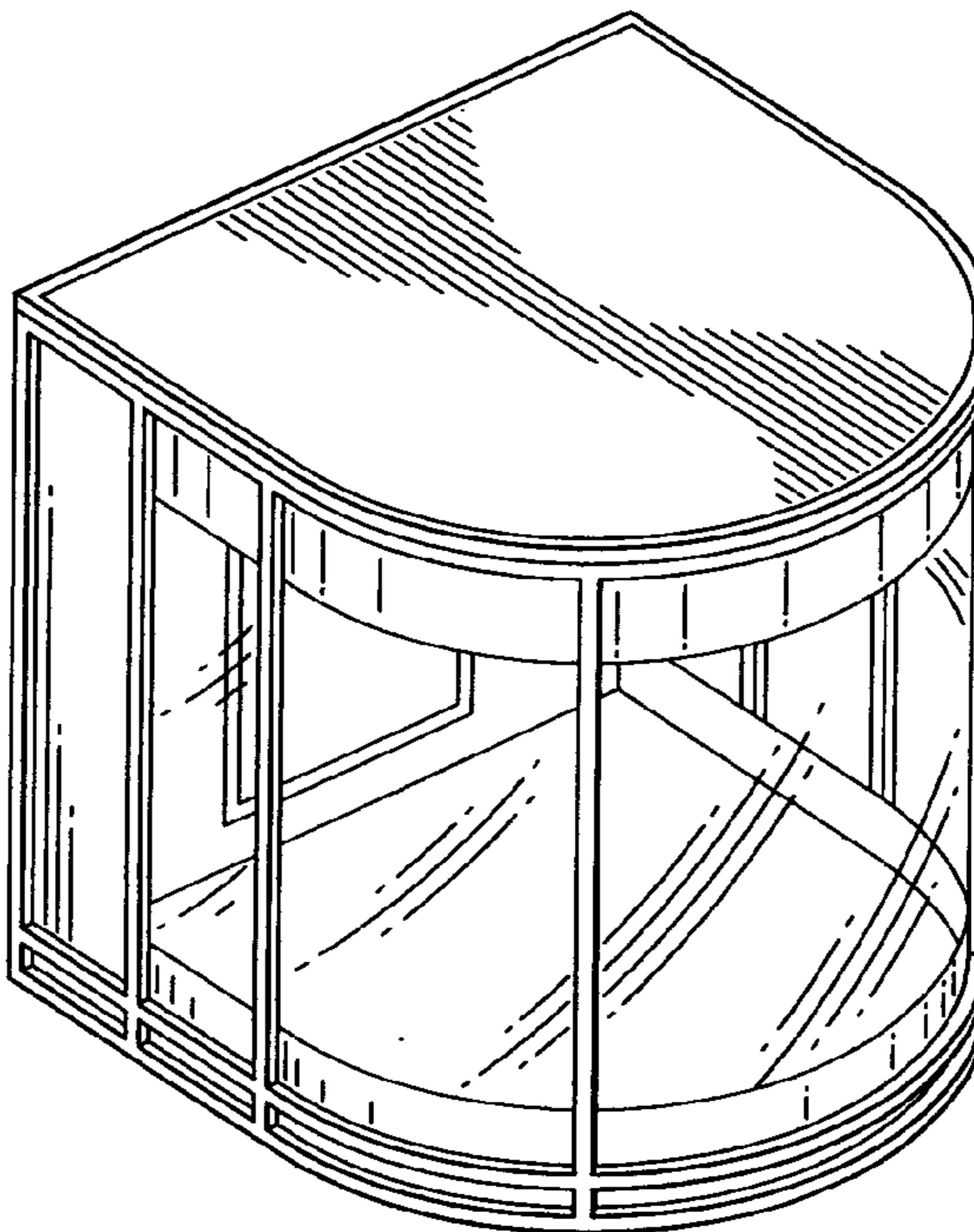
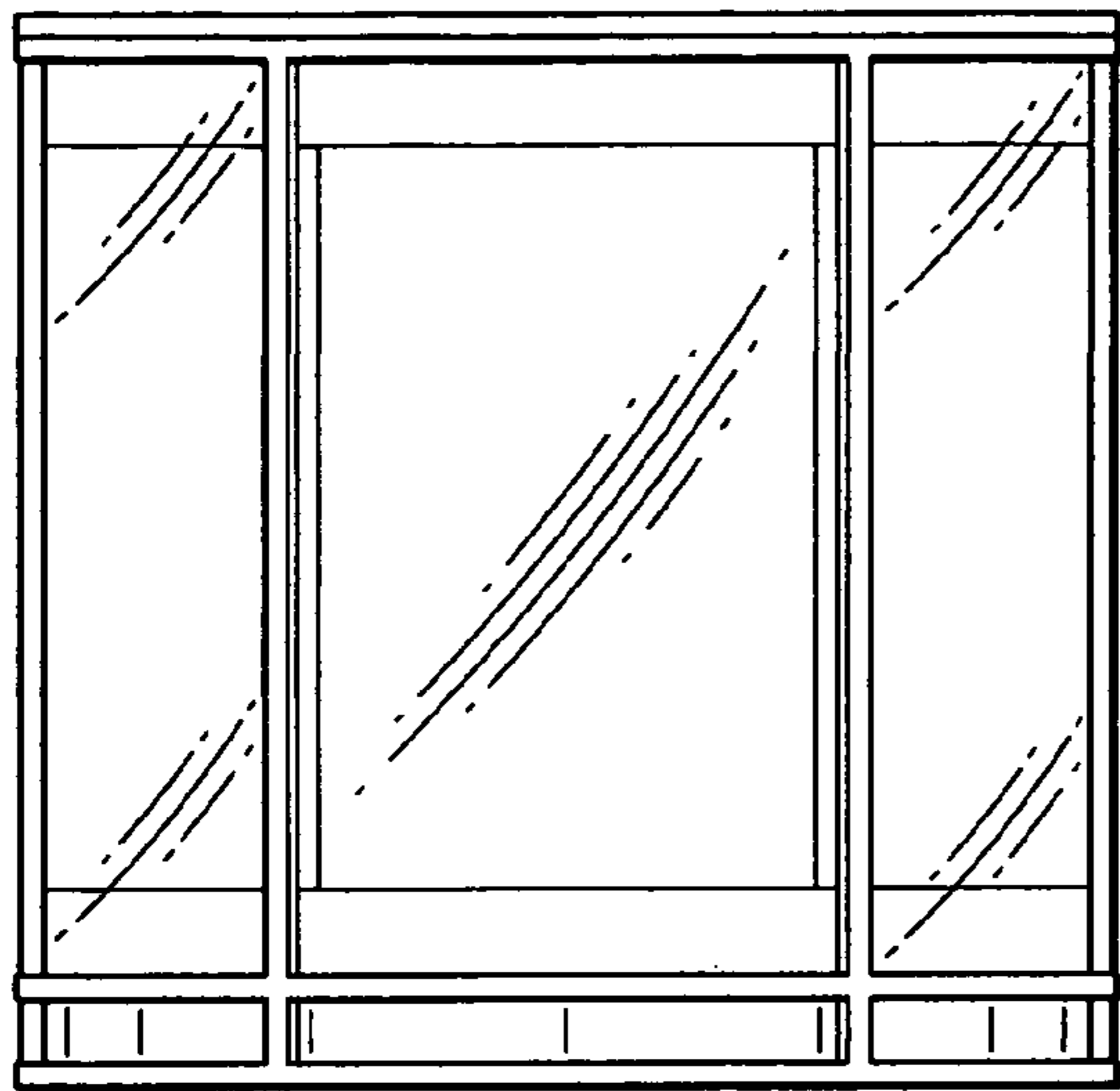
(57) **CLAIM**

The ornamental design for a drum chamber, as shown.

DESCRIPTION

FIG. 1 is a frontal view of the drum chamber showing my new design;
FIG. 2 is a view the right side of the drum chamber;
FIG. 3 is a view of the bottom of the drum chamber;
FIG. 4 is a rear view showing the entrance to the drum chamber;
FIG. 5 is a view of the left side of the drum chamber;
FIG. 6 is a view of the top of the drum chamber; and,
FIG. 7 is an perspective view of the front of the drum chamber.

1 Claim, 3 Drawing Sheets



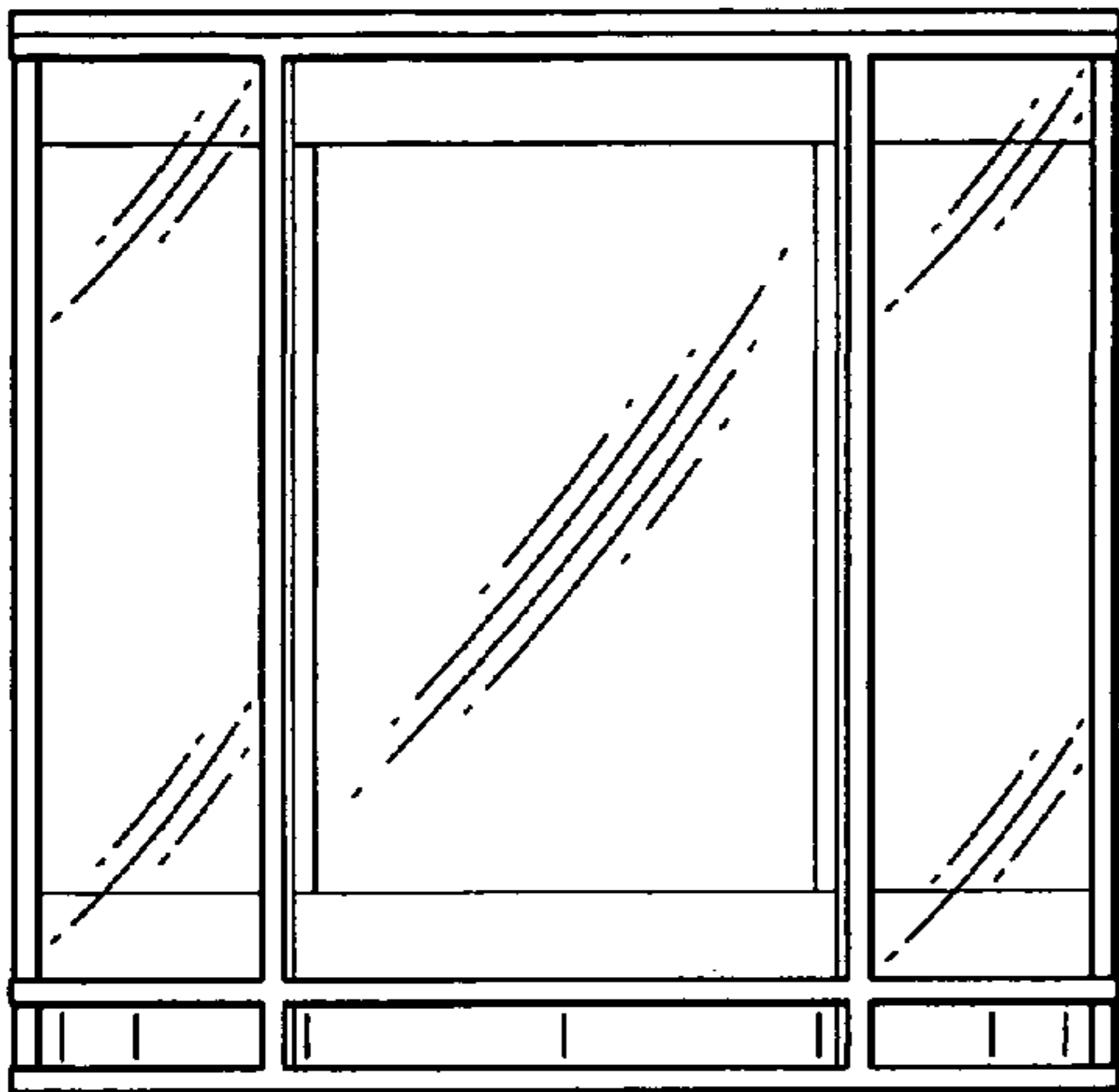


Fig. 1

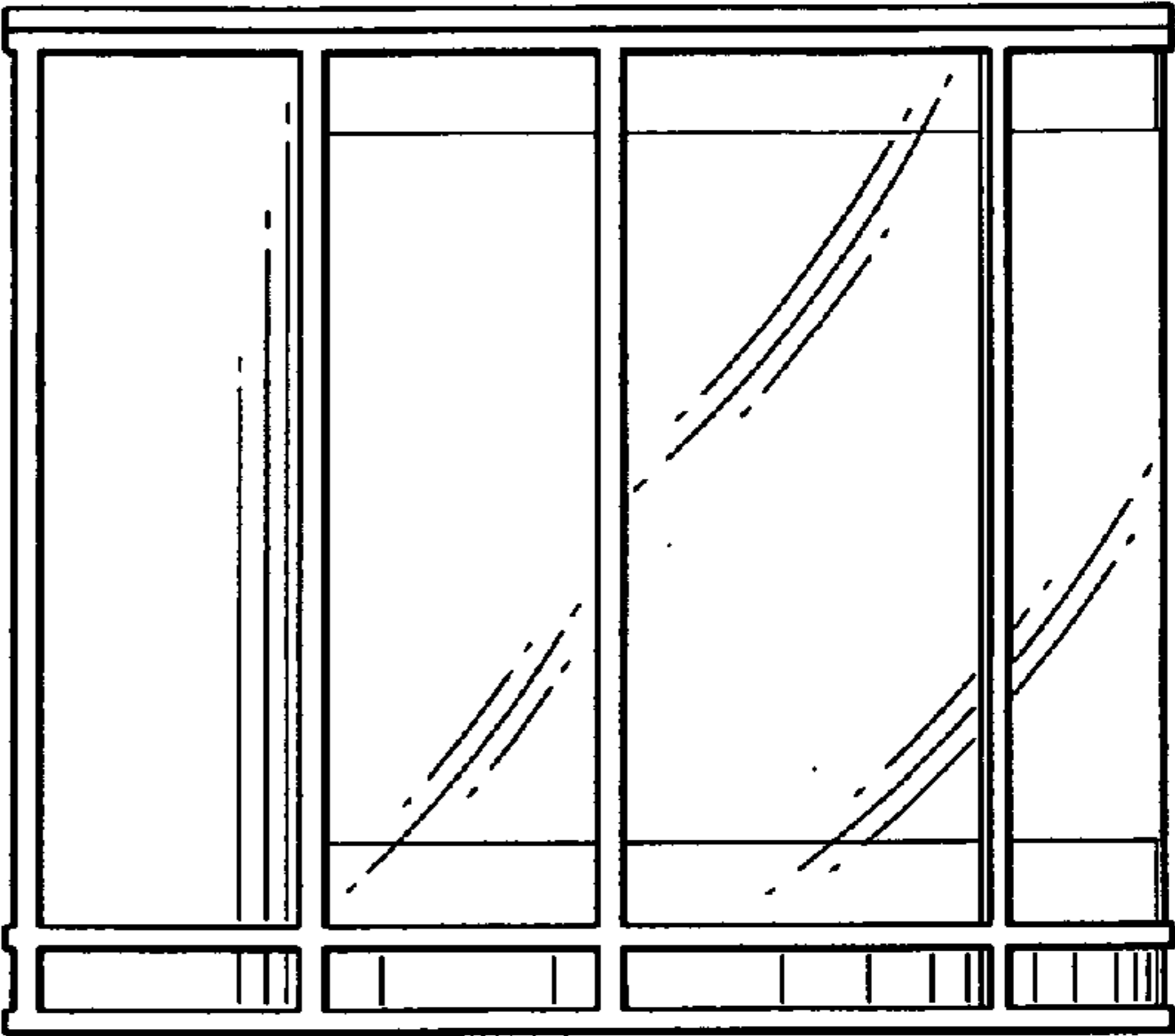
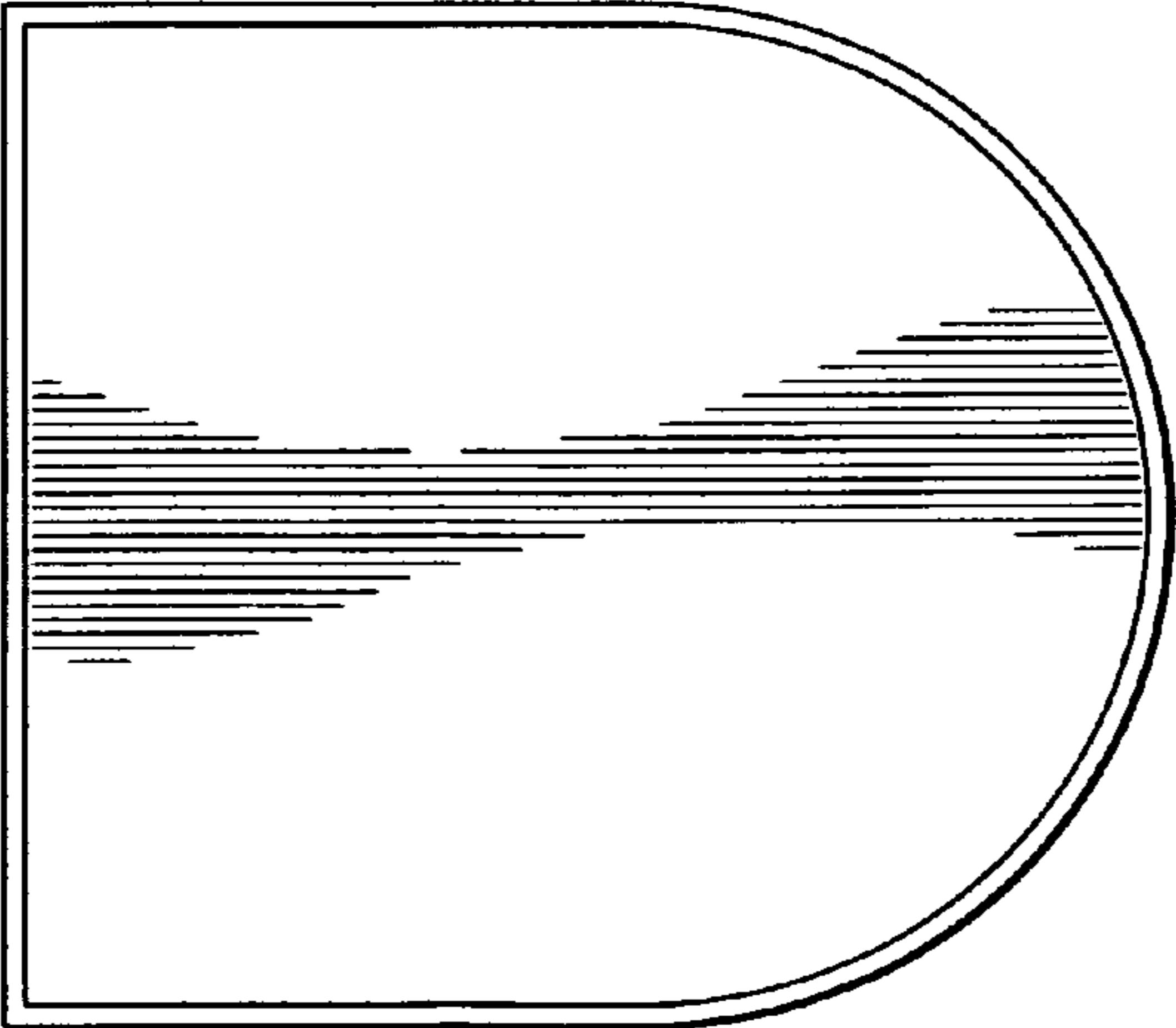


Fig. 2

Fig. 3



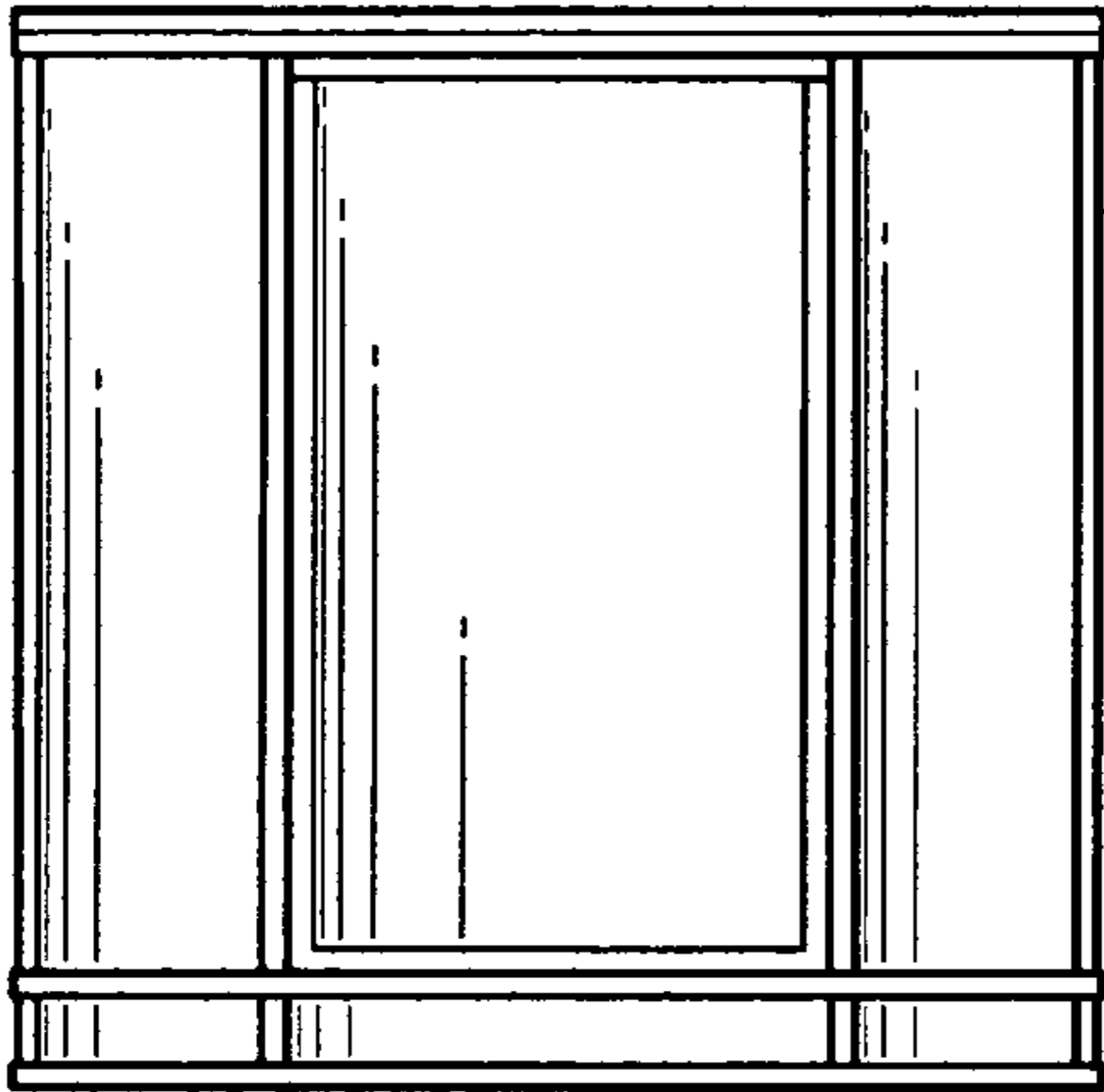


Fig. 4

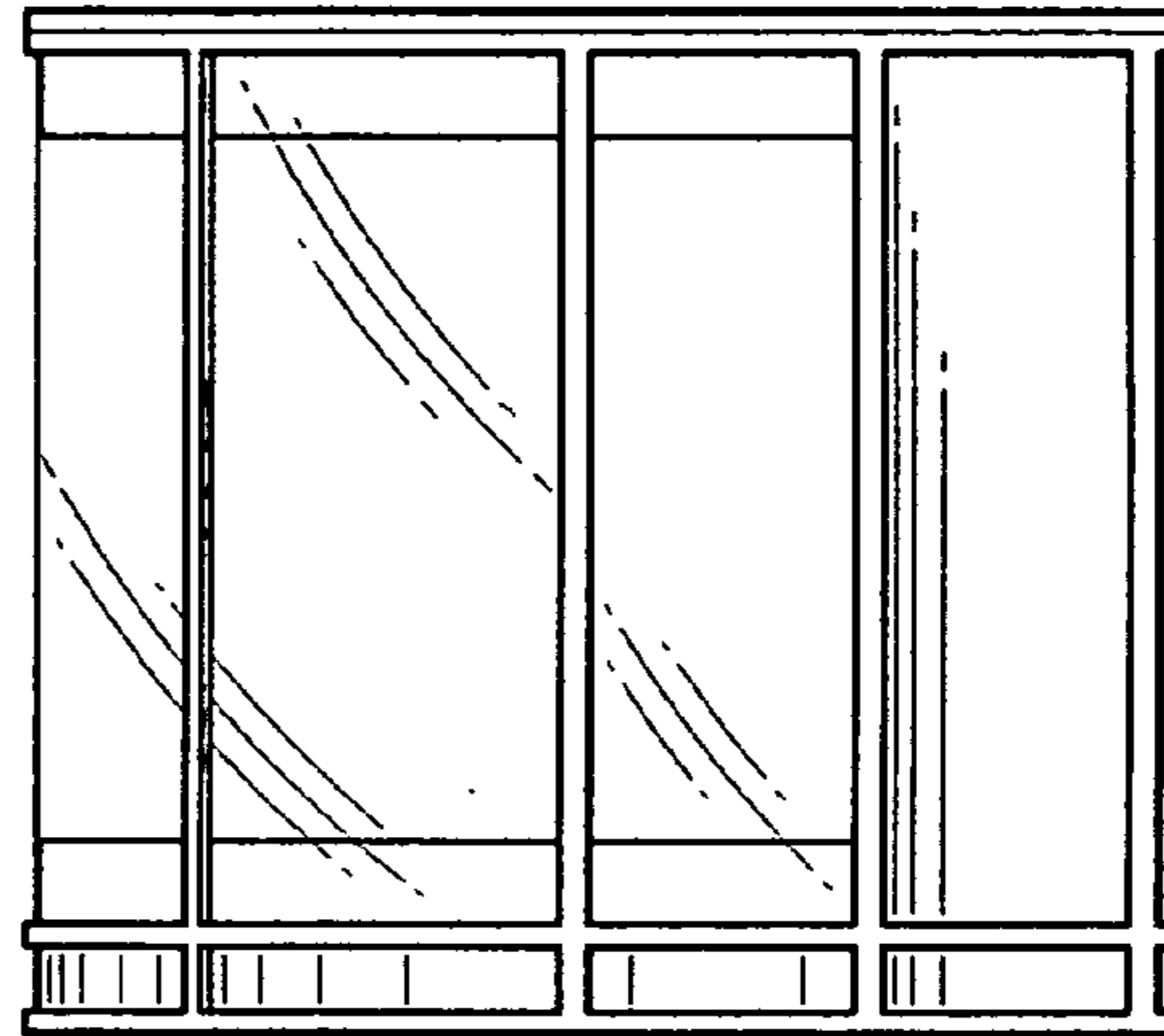


Fig. 5

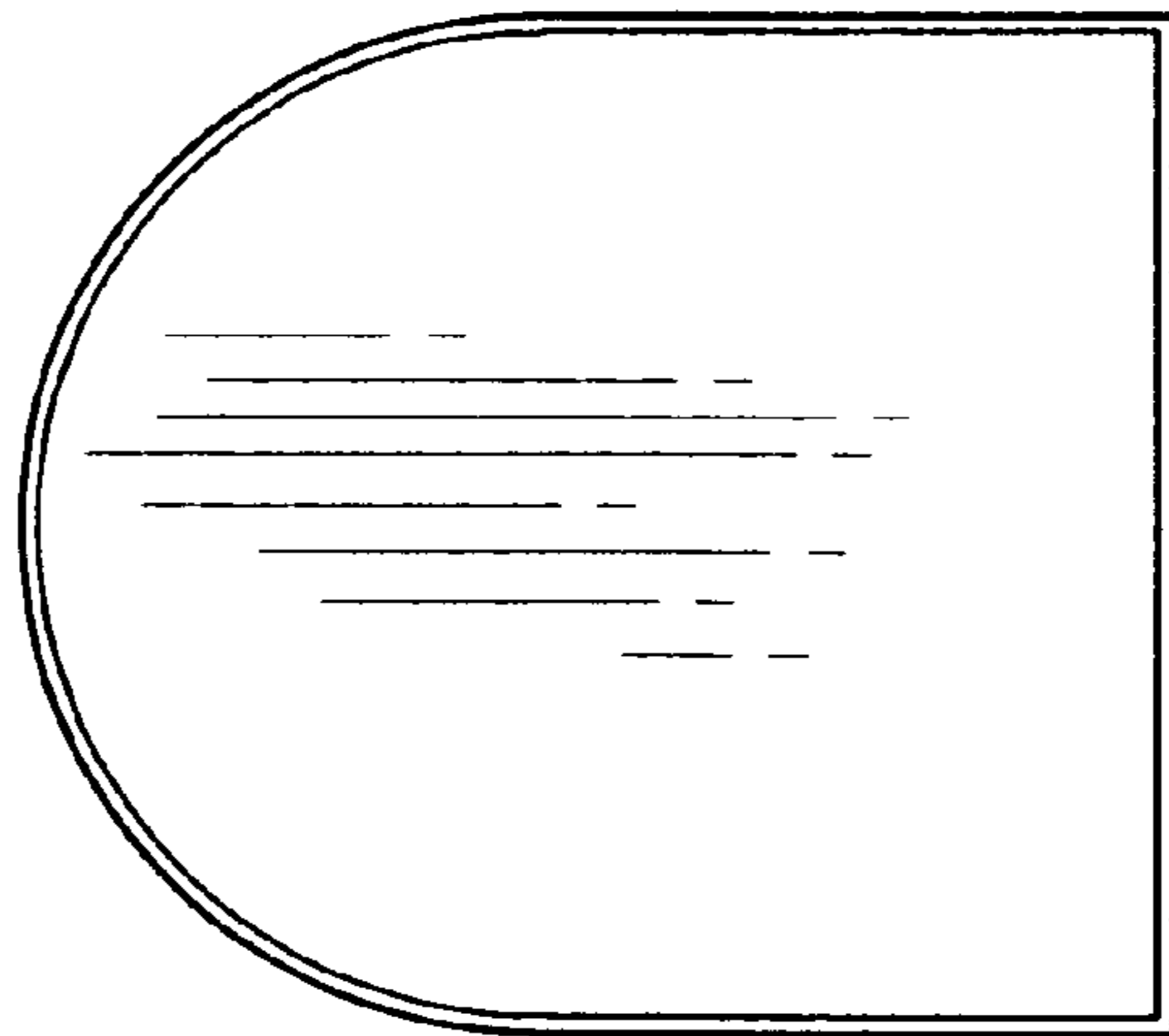


Fig. 6

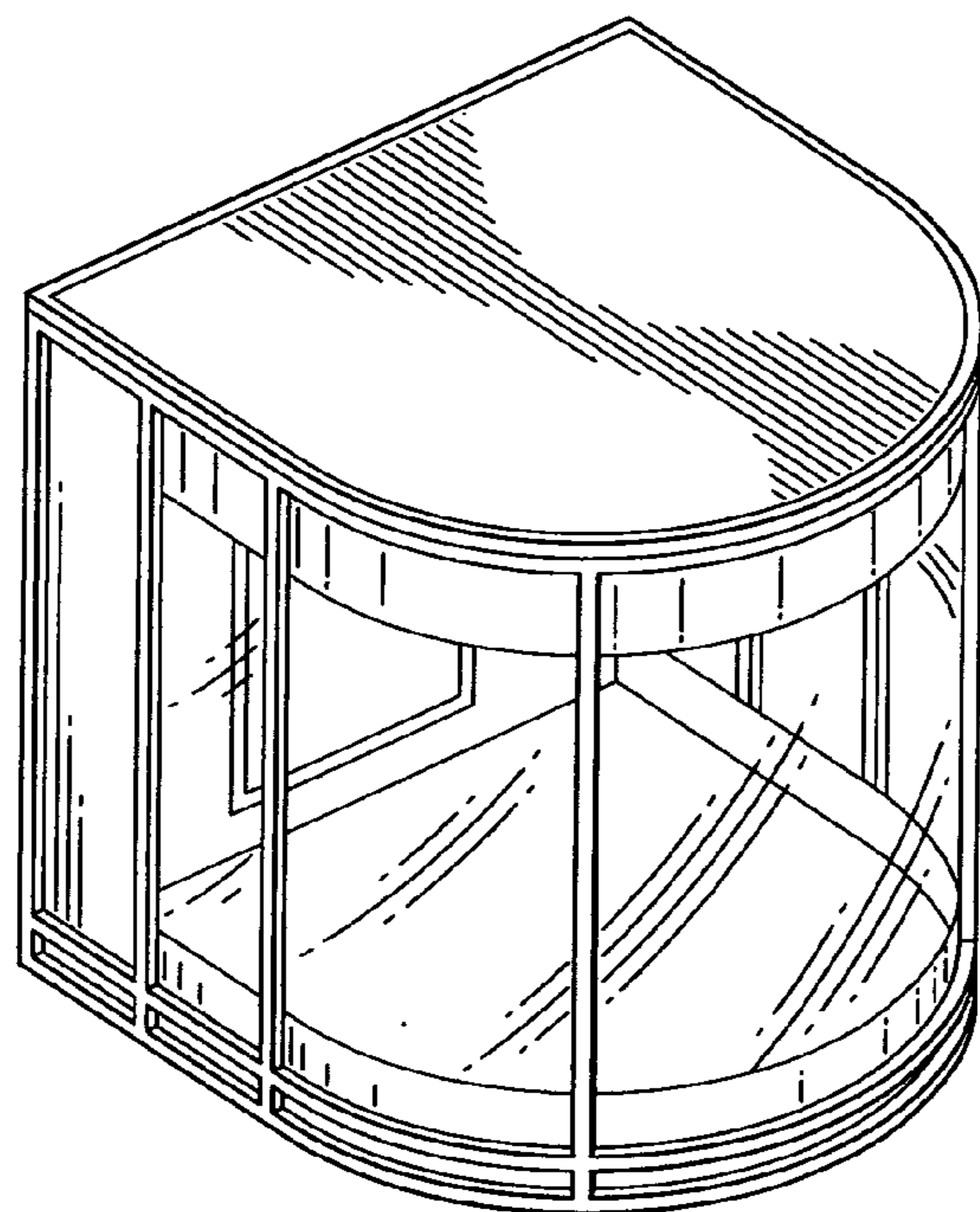


Fig. 7