



US00D687480S

(12) **United States Design Patent**
Castro

(10) **Patent No.:** **US D687,480 S**
(45) **Date of Patent:** **** Aug. 6, 2013**

- (54) **GOGGLE**
- (71) Applicant: **Oakley, Inc.**, Foothill Ranch, CA (US)
- (72) Inventor: **James Nelson Castro**, Laguna Niguel, CA (US)
- (73) Assignee: **Oakley, Inc.**, Foothill Ranch, CA (US)
- (**) Term: **14 Years**
- (21) Appl. No.: **29/444,556**
- (22) Filed: **Jan. 31, 2013**
- (51) **LOC (9) Cl.** **16-06**
- (52) **U.S. Cl.**
USPC **D16/312**
- (58) **Field of Classification Search**
USPC D16/101, 300-342, 900; D29/109-110;
351/41, 44, 51-52, 62, 158, 92, 103-123,
351/140-153, 45-46; 2/426-432, 447-449,
2/441, 434-437, 13, 15; D21/483, 659-661;
D14/372

See application file for complete search history.

- D519,147 S 4/2006 Moritz et al.
- D523,889 S 6/2006 Chen
- D537,100 S 2/2007 Moritz et al.
- D542,327 S 5/2007 Hsu
- D544,900 S * 6/2007 Li et al. D16/312
- D551,278 S 9/2007 Moritz et al.
- D577,054 S 9/2008 Moritz
- D578,562 S 10/2008 Moritz
- D616,483 S 5/2010 Moritz
- D616,914 S * 6/2010 Moritz D16/312
- D629,035 S * 12/2010 Moritz et al. D16/312
- D640,724 S 6/2011 Goodman et al.
- 7,971,268 B2 7/2011 Reyes et al.
- D648,178 S 11/2011 Moritz et al.

(Continued)

OTHER PUBLICATIONS

Goggles Giant, <http://www.gogglesgiant.com>, Smith Warp Racer Pack Goggles, unknown publication date, printed Apr. 26, 2013.
 Smith Optics, <http://www.smithoptics.com>, Intake Sweat-X model, unknown publication date, printed Apr. 26, 2013.
 Smith Optics, <http://www.smithoptics.com>, Roll Offs, unknown publication date, printed Apr. 26, 2013.

Primary Examiner — Raphael Barkai
 (74) *Attorney, Agent, or Firm* — Knobbe Martens Olson & Bear, LLP

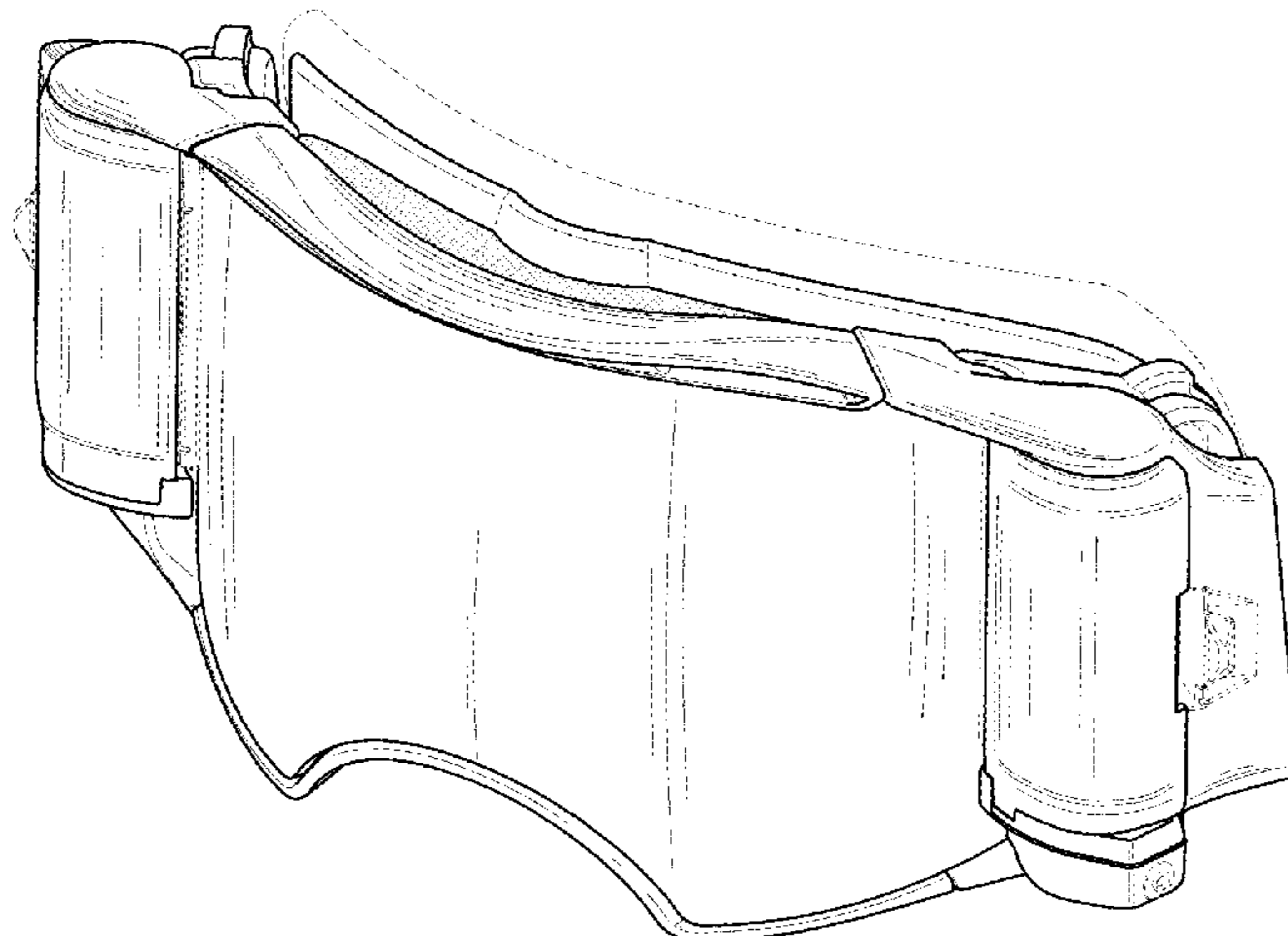
(57) **CLAIM**
 The ornamental design for a goggle, as shown and described.

DESCRIPTION

FIG. 1 is a front perspective view of a goggle showing my new design;
 FIG. 2 is a front elevational view thereof;
 FIG. 3 is a rear elevational view thereof;
 FIG. 4 is a right side elevational view thereof;
 FIG. 5 is a left side elevational view thereof;
 FIG. 6 is a top plan view thereof; and,
 FIG. 7 is a bottom plan view thereof.
 The broken lines in the Figures show portions of the goggle which form no part of the claimed design.

1 Claim, 4 Drawing Sheets

- (56) **References Cited**
- U.S. PATENT DOCUMENTS
- 4,428,081 A 1/1984 Smith
- 4,455,689 A 6/1984 Boyer
- 4,528,701 A 7/1985 Smith
- 4,716,601 A 1/1988 McNeal
- 4,748,697 A 6/1988 Hodnett
- D322,795 S 12/1991 Dianitsch
- D405,102 S 2/1999 Moritz et al.
- D428,039 S 7/2000 Thixton
- 6,415,452 B1 * 7/2002 Watanabe et al. 2/438
- 6,416,177 B1 7/2002 Gibson
- D478,610 S 8/2003 Moritz et al.
- D478,926 S 8/2003 Moritz et al.
- 6,725,467 B2 4/2004 Harding
- D510,378 S 10/2005 Dondero et al.



US D687,480 S

Page 2

U.S. PATENT DOCUMENTS

D649,577 S 11/2011 Goodman et al.
2011/0225709 A1 9/2011 Reyes et al.

2011/0225710 A1 9/2011 Reyes et al.
2011/0225711 A1 9/2011 Reyes et al.

* cited by examiner

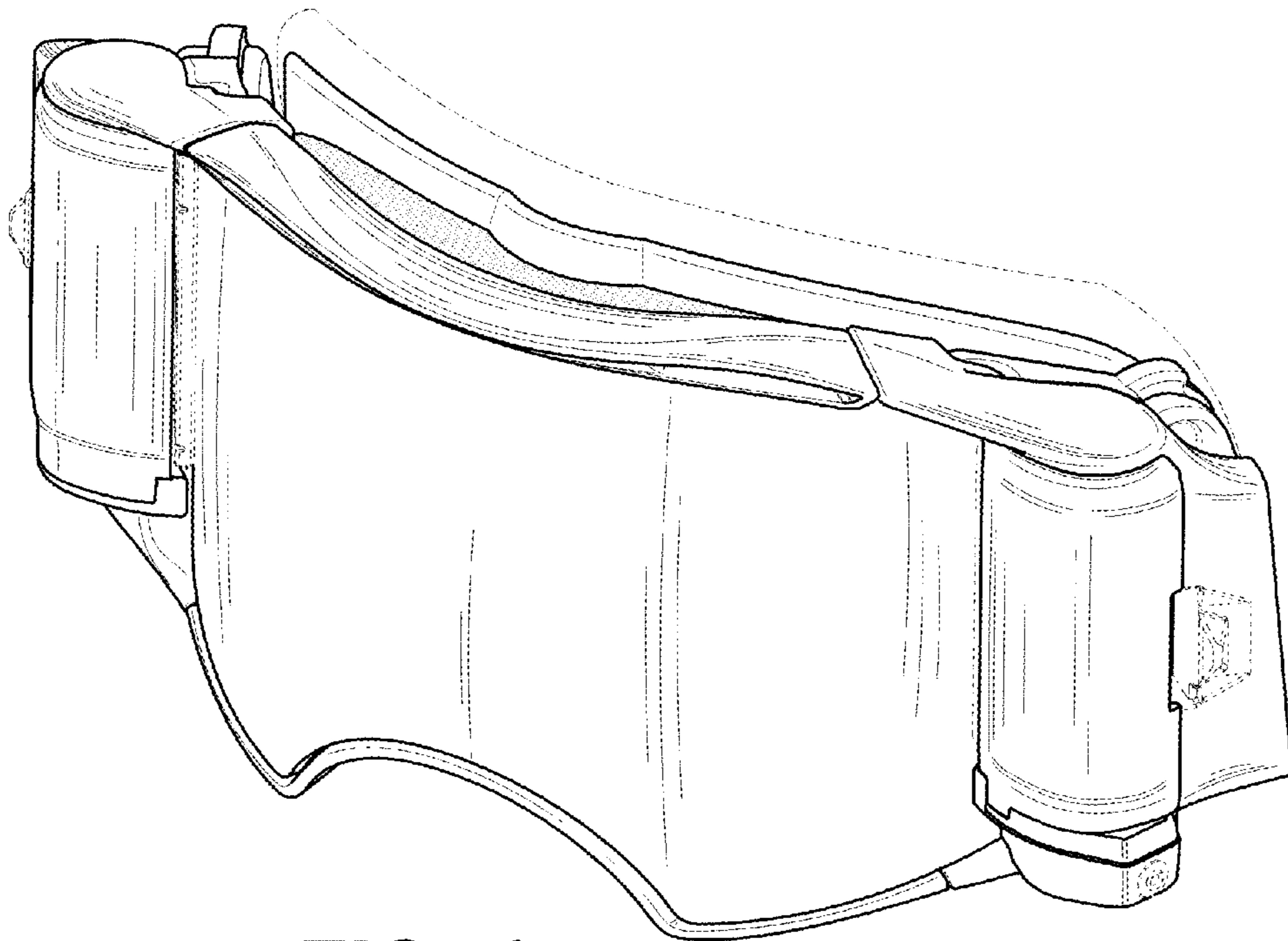


FIG. 1

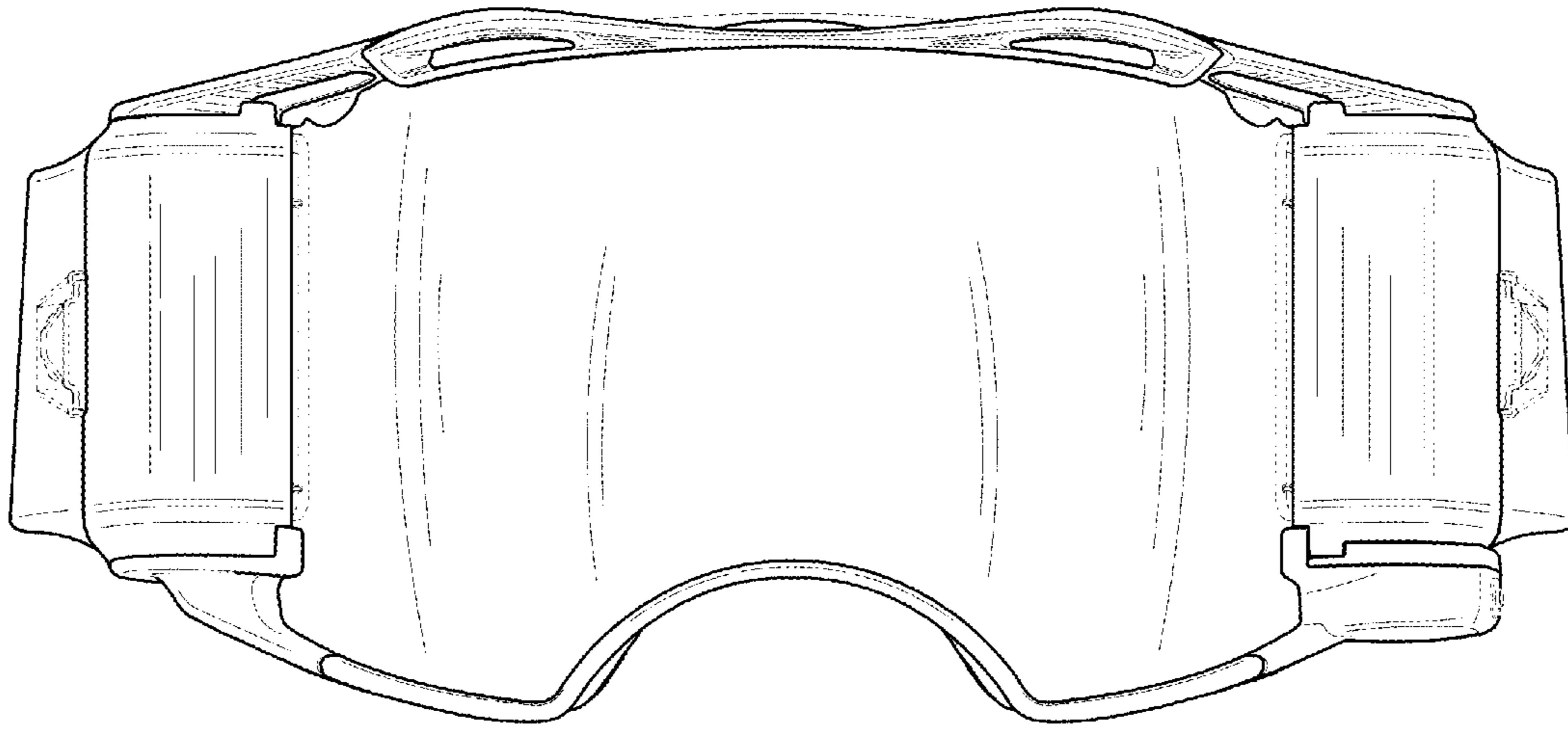


FIG. 2

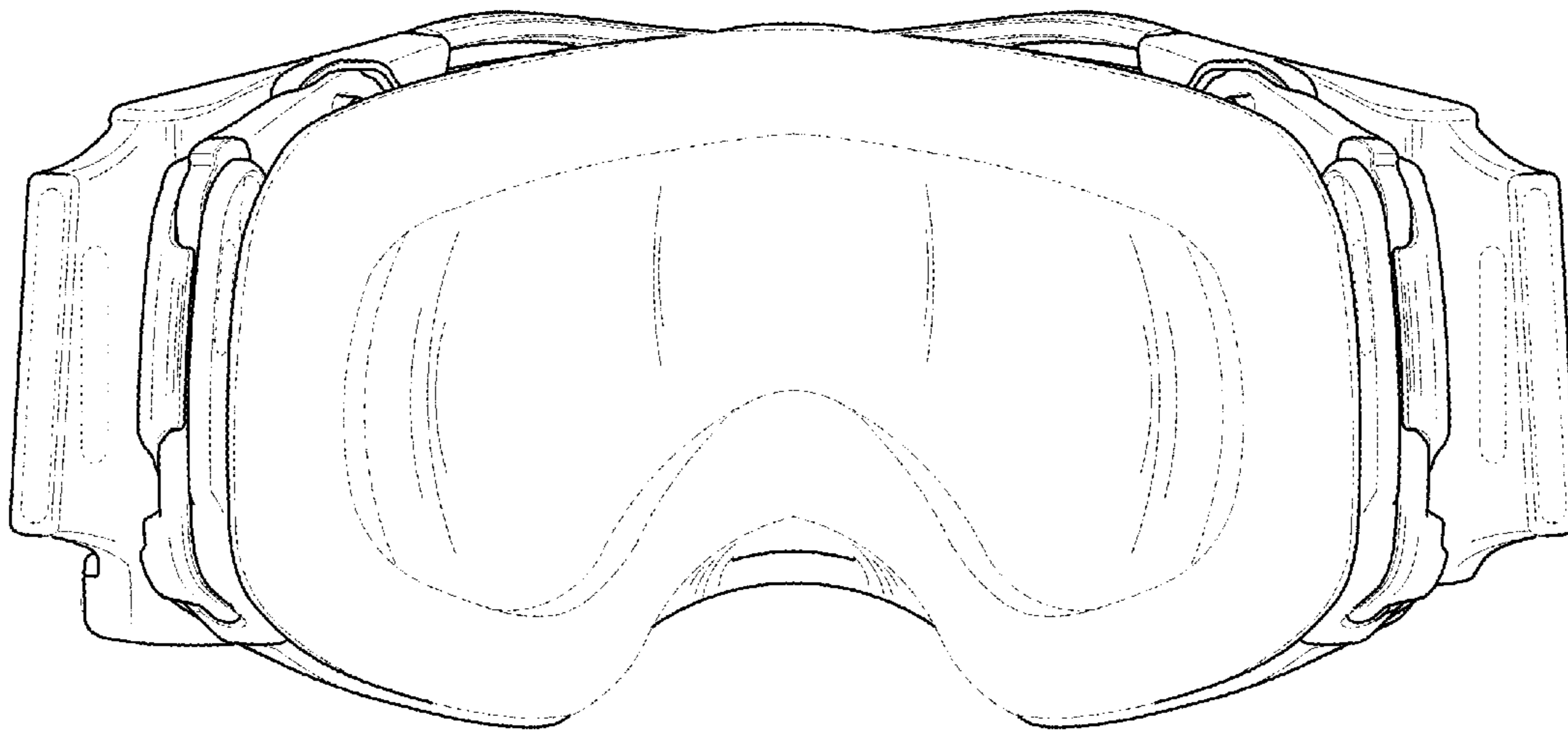


FIG. 3

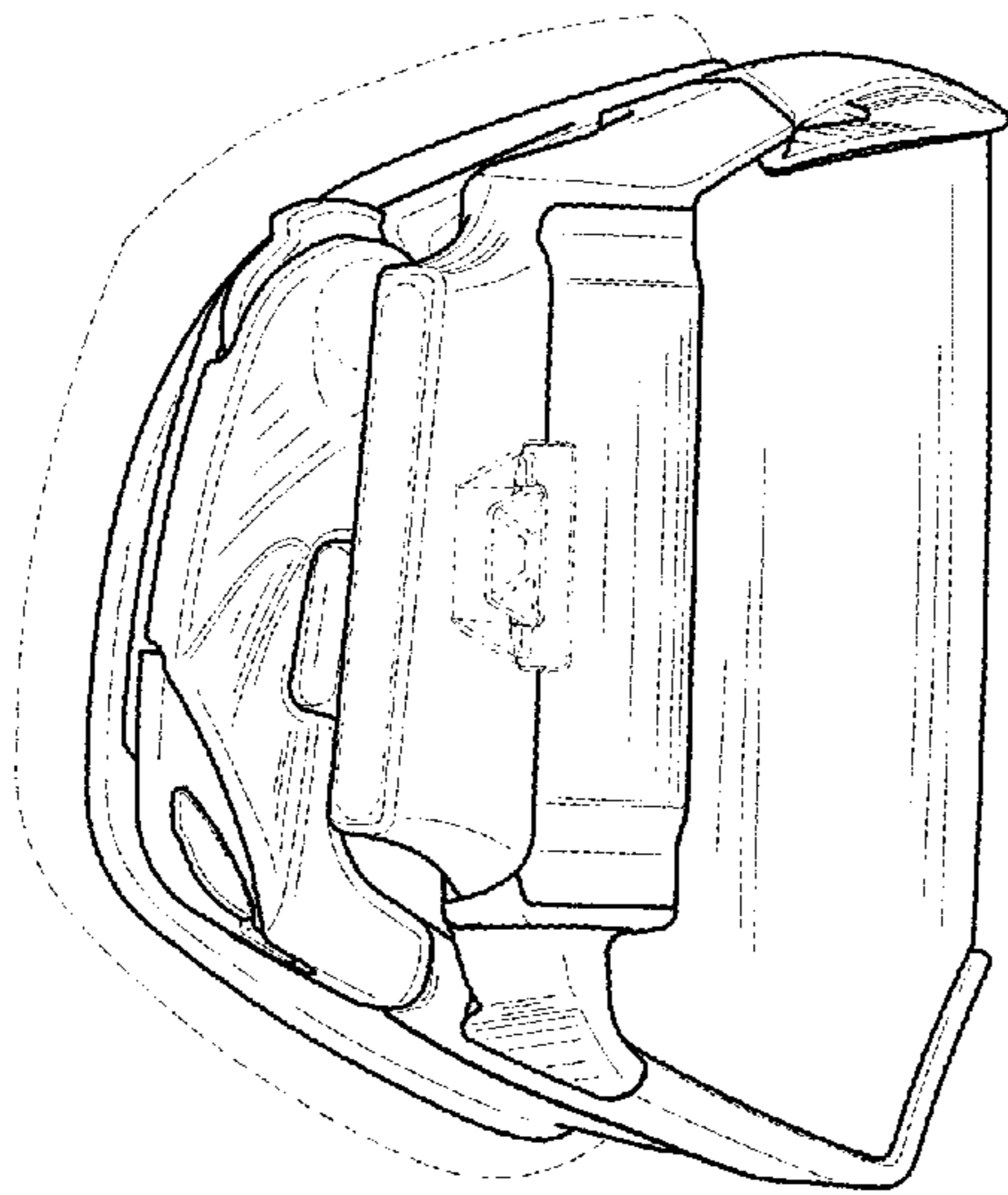


FIG. 4

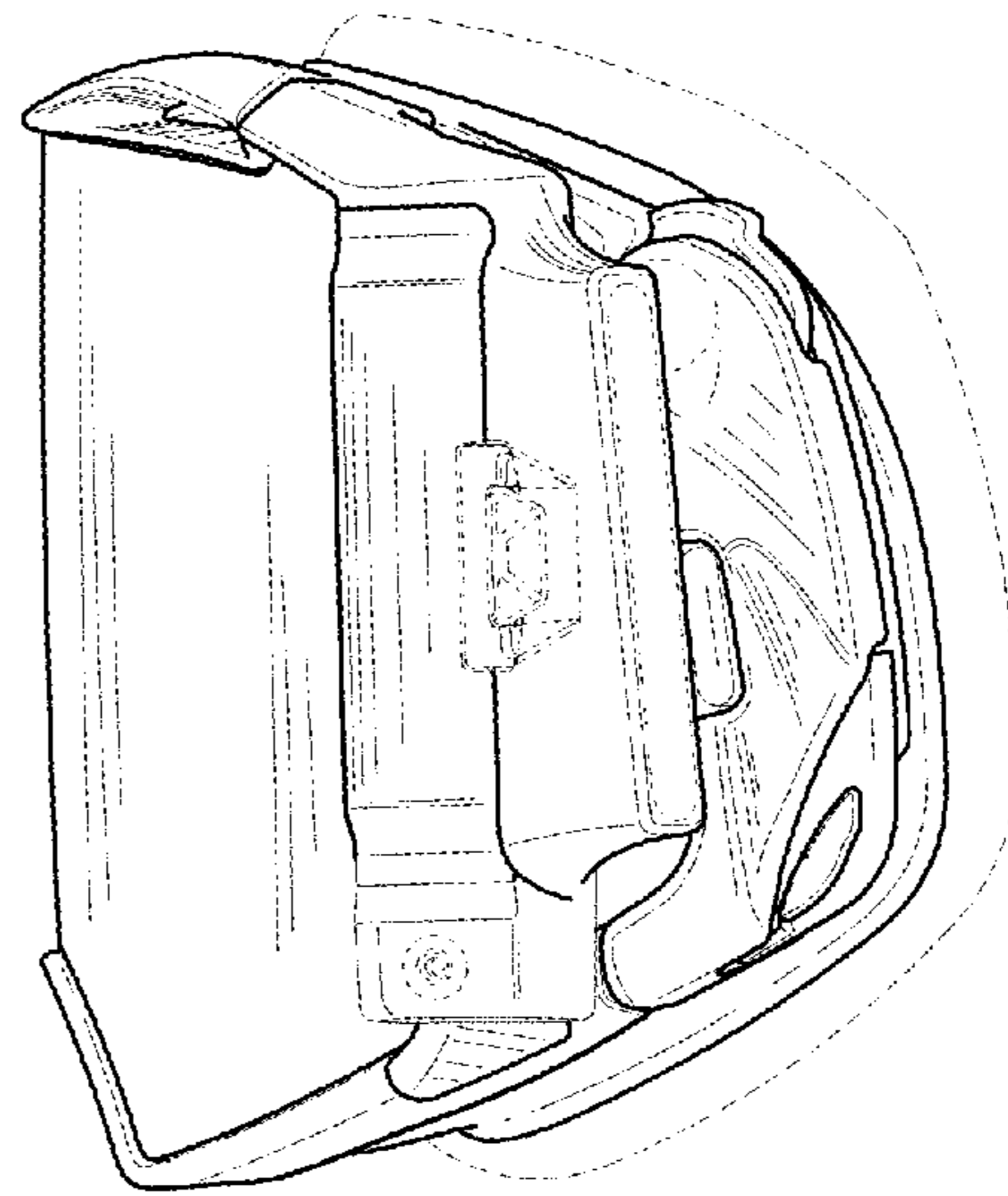


FIG. 5

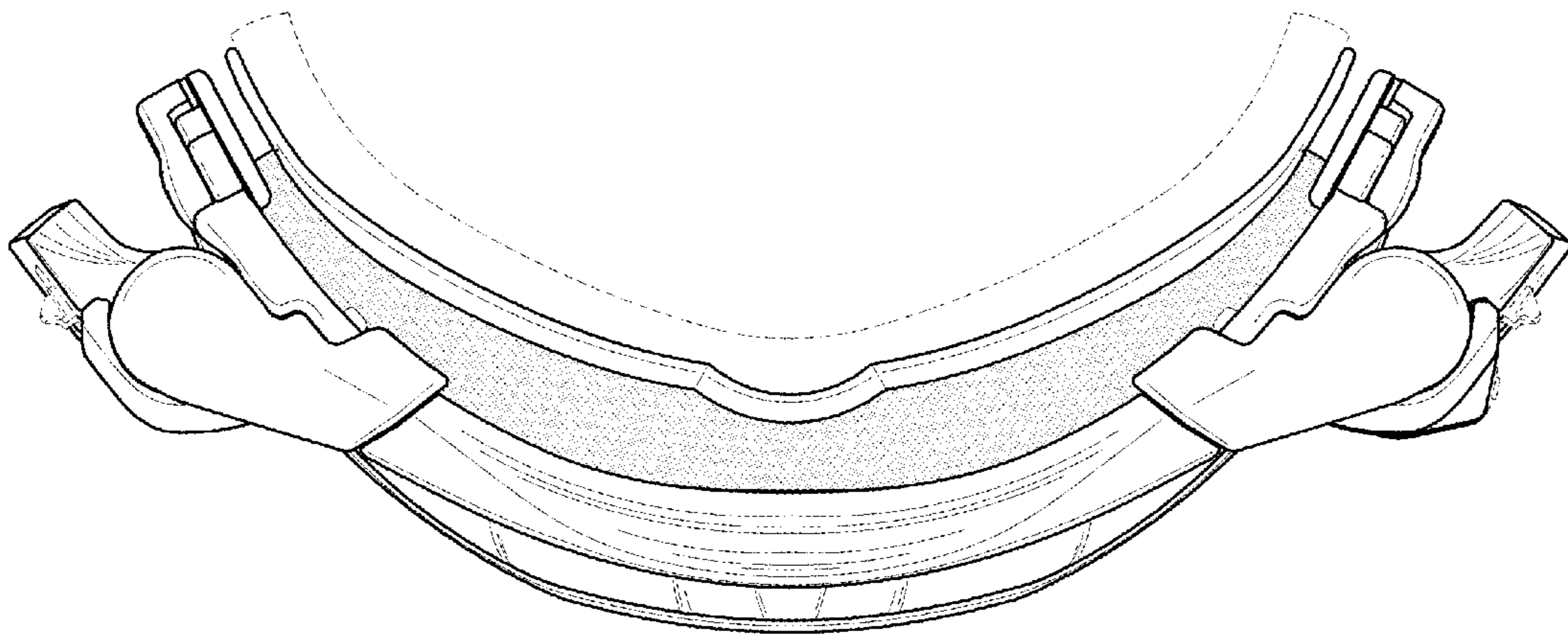


FIG. 6

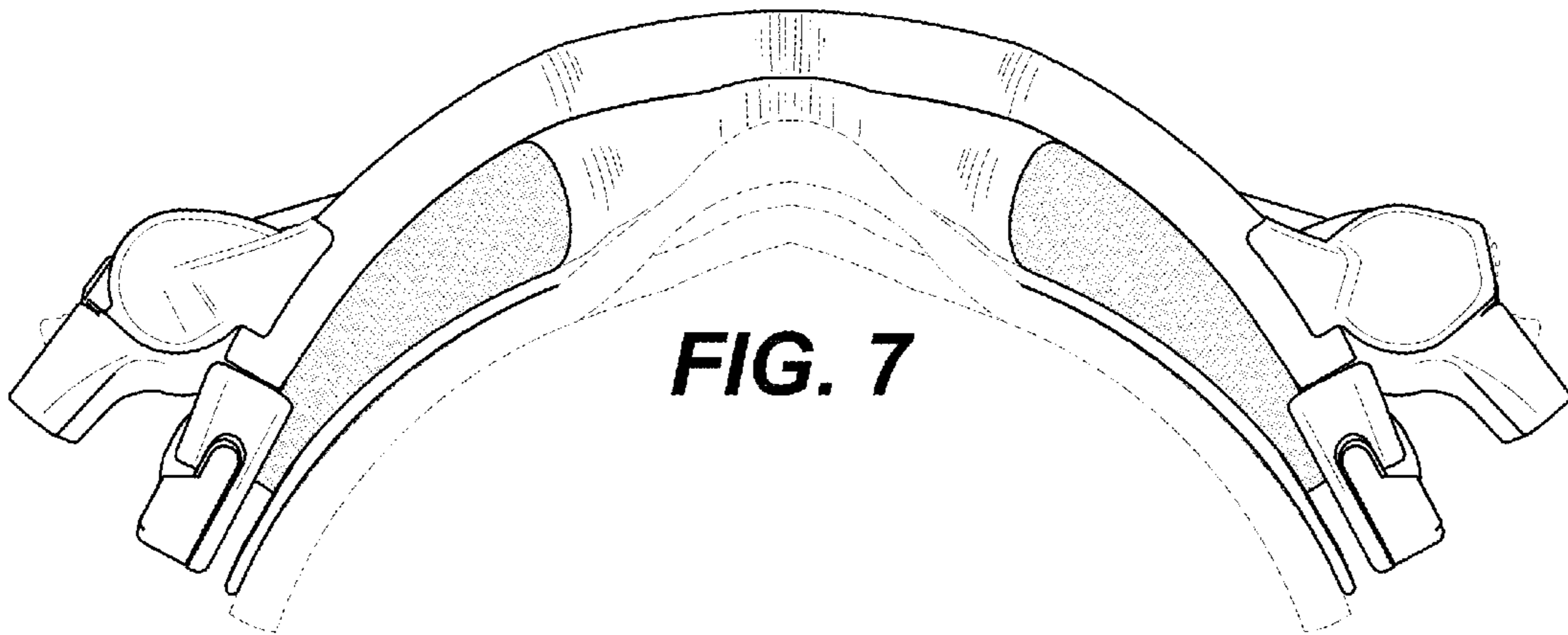


FIG. 7